

10" x 8" VCP CONNECTION TO EXIST. M.H. WITH 1/8 BEND 8" VCP INSIDE THE EXIST. 10" VCP AND MORTARING UP AT FIRST JOINT OUT OF M.H.

RECHANNEL BOTTOM OF MANHOLE TO FLOW TO NEW OUTLET AND PLUG EXIST. 10" OUTLET.

NOTE: ELECTRIC CONDUIT FOR LIFT STATION IN TRENCH WITH SEWER LAT. TO 1800 WELLS WITH 30" COVER ON ELY SIDE OF TRENCH.

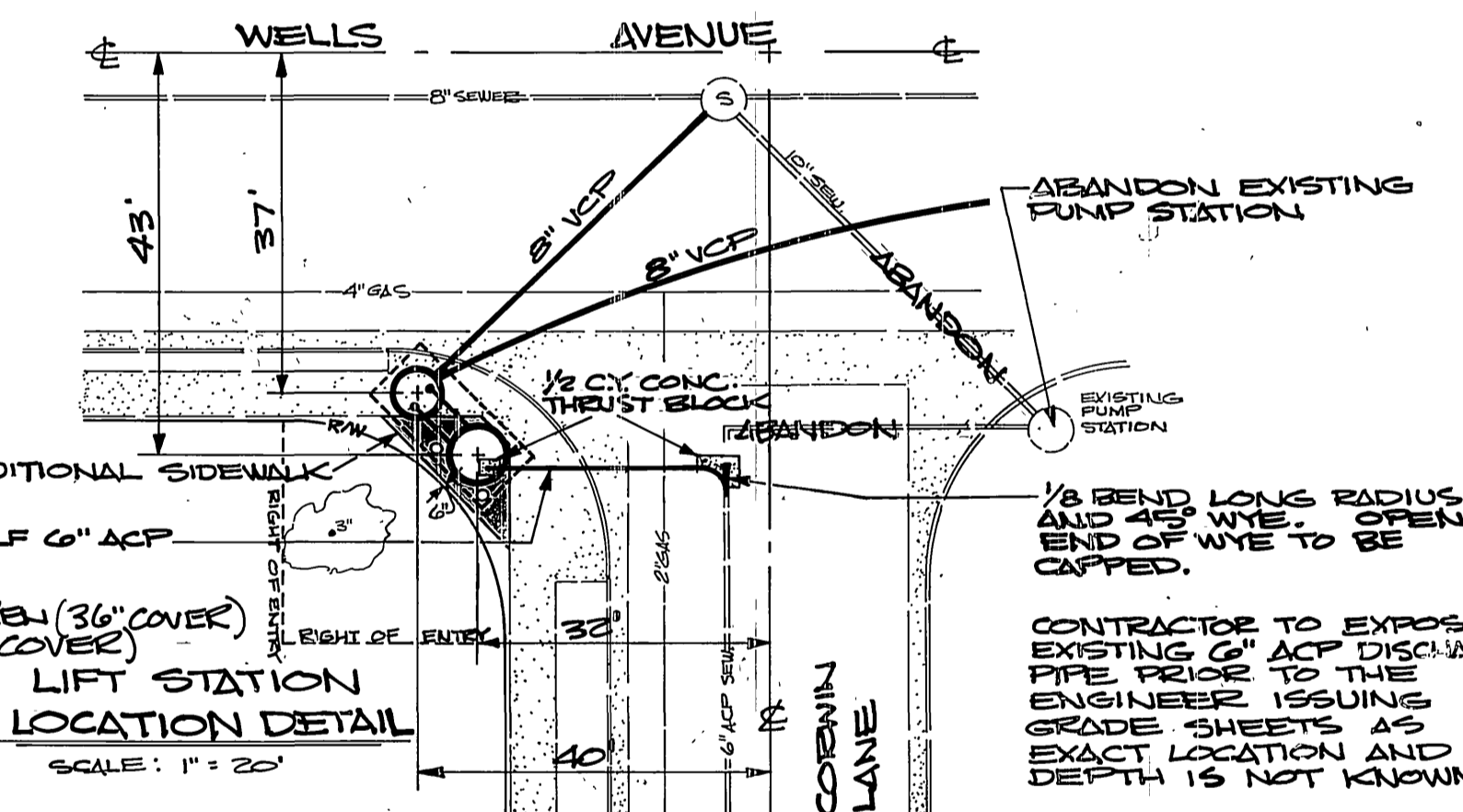
PLACED M.H. DOWN STREAM APPROX. 4' TO CLEAR EXIST. WATER MAIN.

RECHANNEL M.H. TO FLOW TO NEW OUTLET, PLUS EXISTING OUTLET.

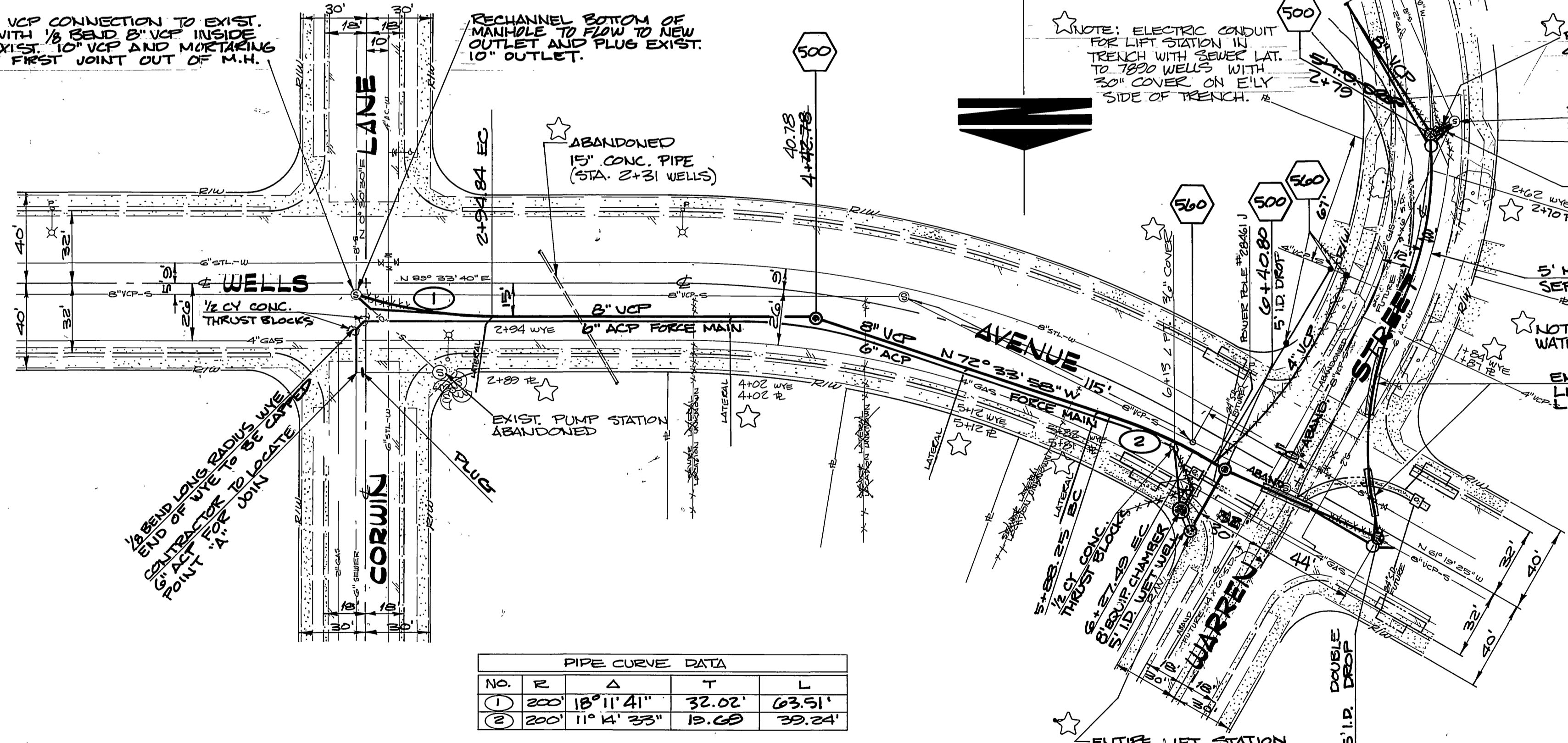
5' MIN. HORIZONTAL SEPARATION, OUTSIDE TO OUTSIDE

NOTE: GAS LINE IS 3' OFF C.F. ON WARREN (36" COVER) WATERLINE 1' OFF C.F. ON WARREN (32" COVER)

ENCASE WHERE SEPARATION LESS THAN 5' FROM WATER LINE, OUTSIDE TO OUTSIDE

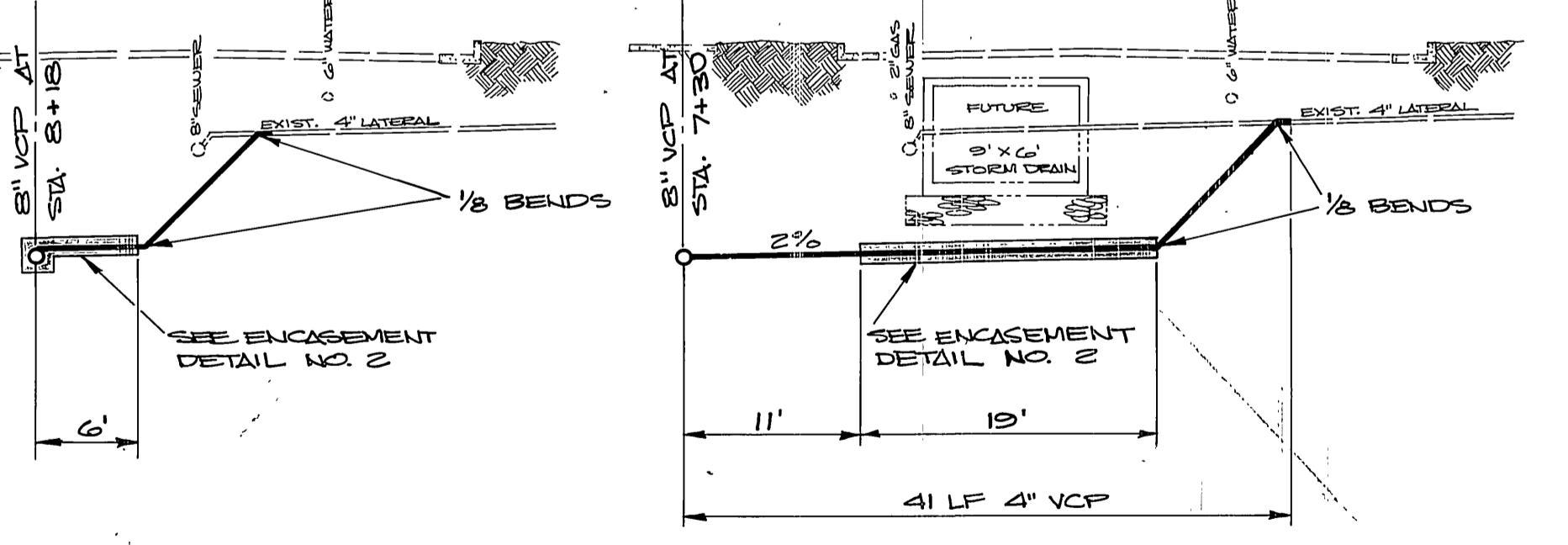
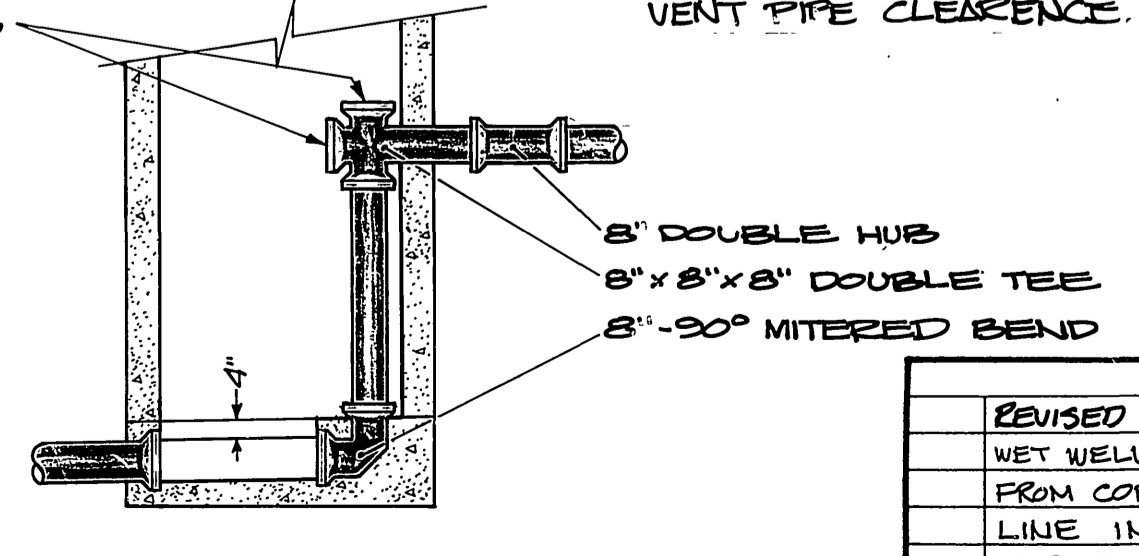
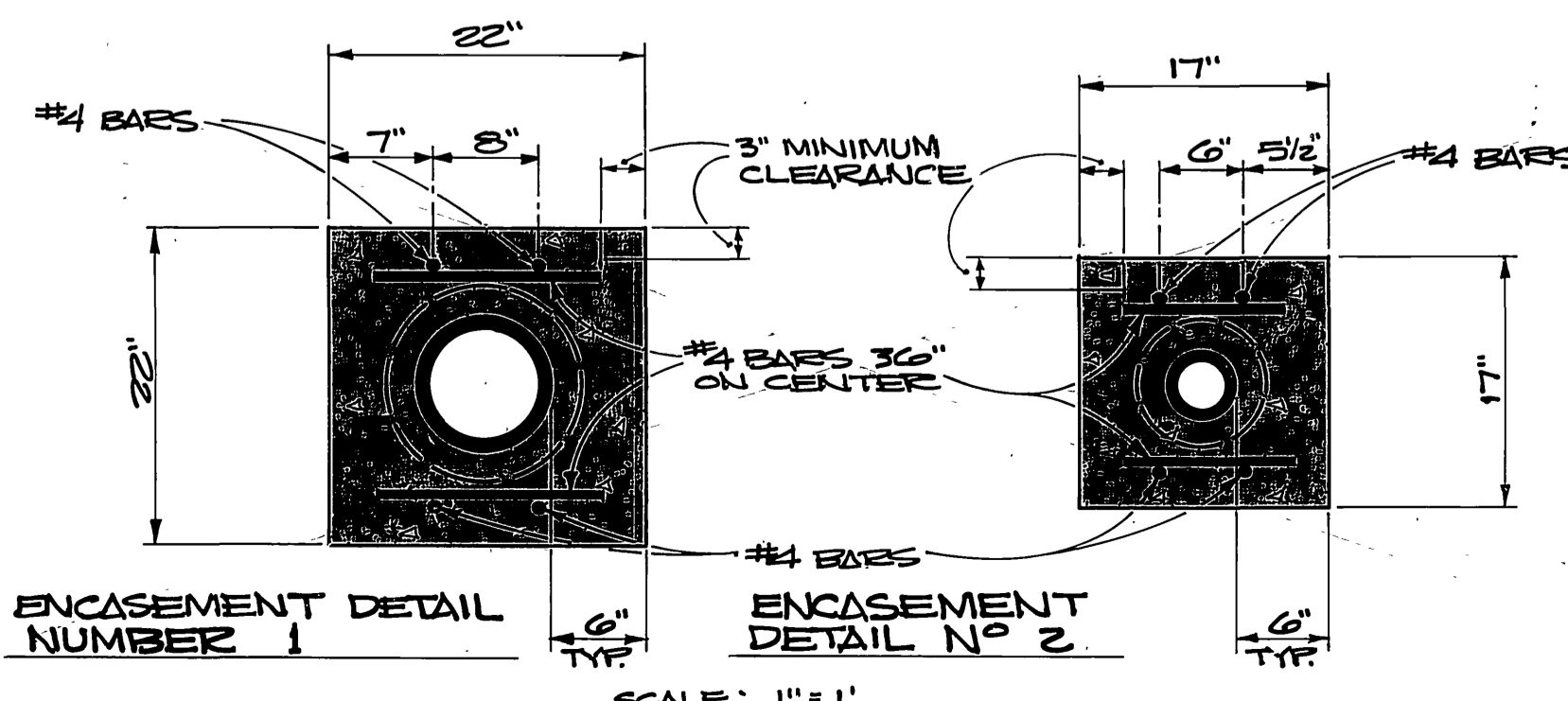


BENCH MARK: ELEVATION 738.69 PK. NAIL IN NE CURB RETURN AT WELLS AVENUE AND CHALLEN AVENUE. FB. 655, PAGE 11.



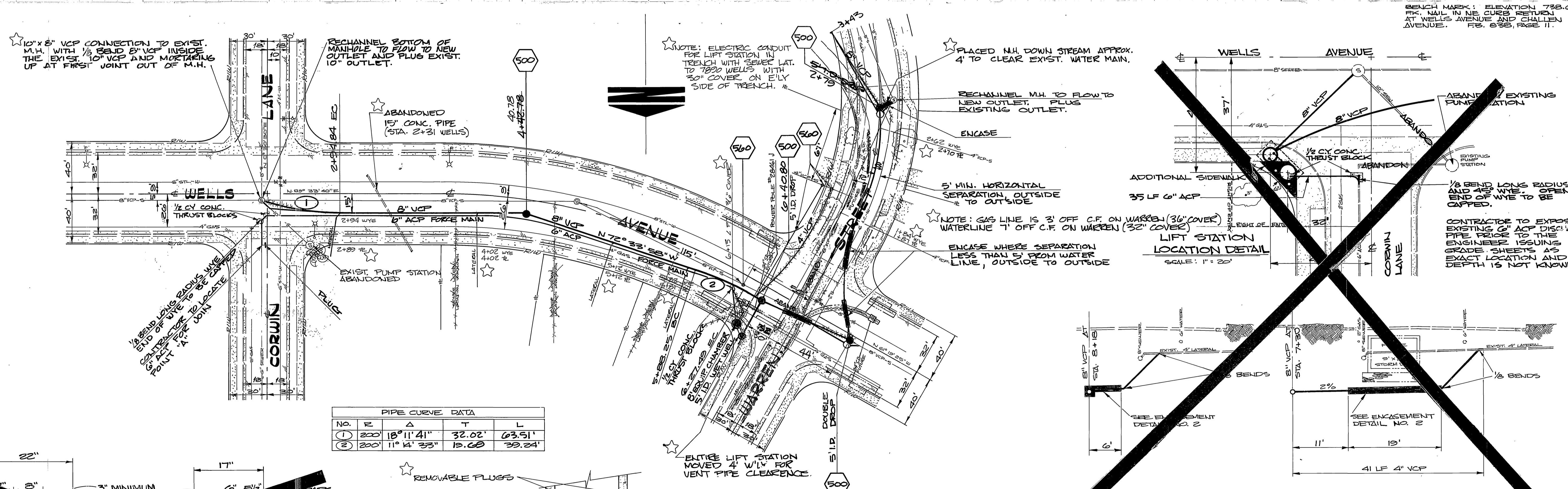
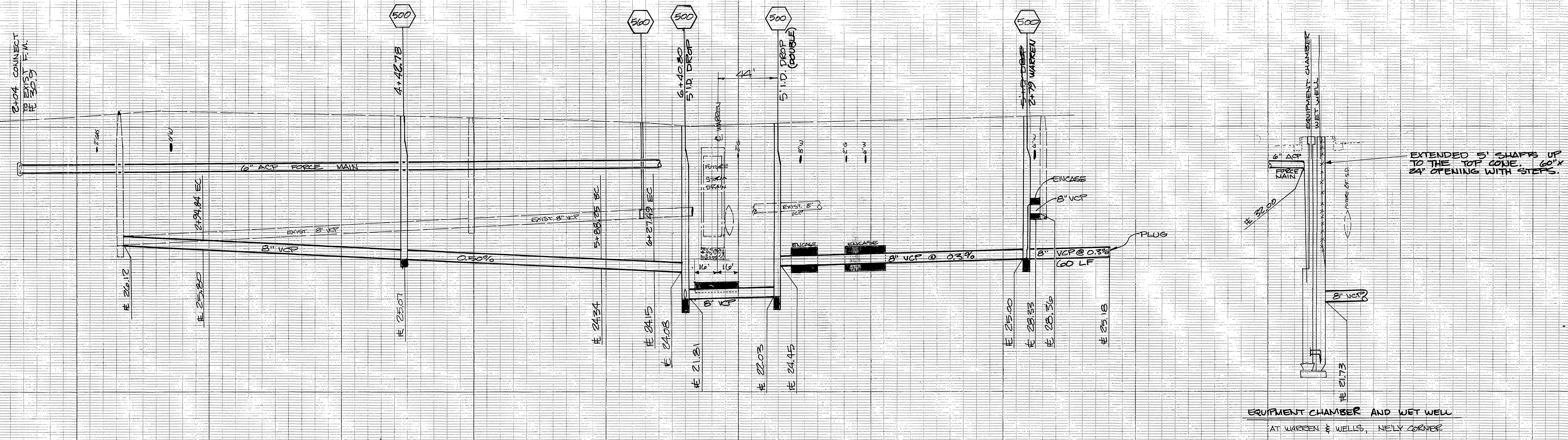
| PIPE CURVE DATA | | | | |
|-----------------|------|-------------|--------|--------|
| NO. | R | Δ | T | L |
| 1 | 200' | 18° 11' 41" | 32.02' | 63.51' |
| 2 | 200' | 11° 4' 35" | 19.68' | 39.34' |

ENTIRE LIFT STATION MOVED 41' W/LY FOR VENT PIPE CLEARANCE.



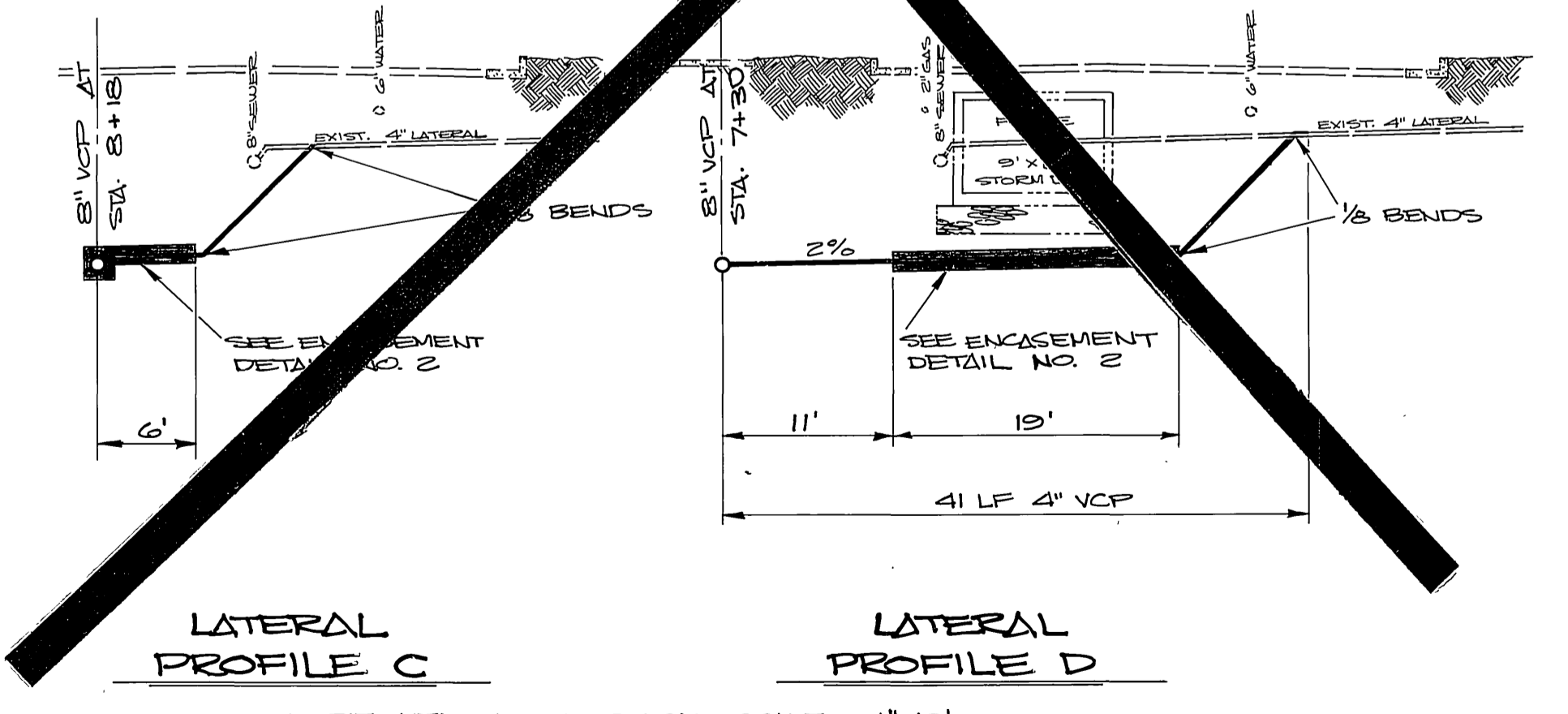
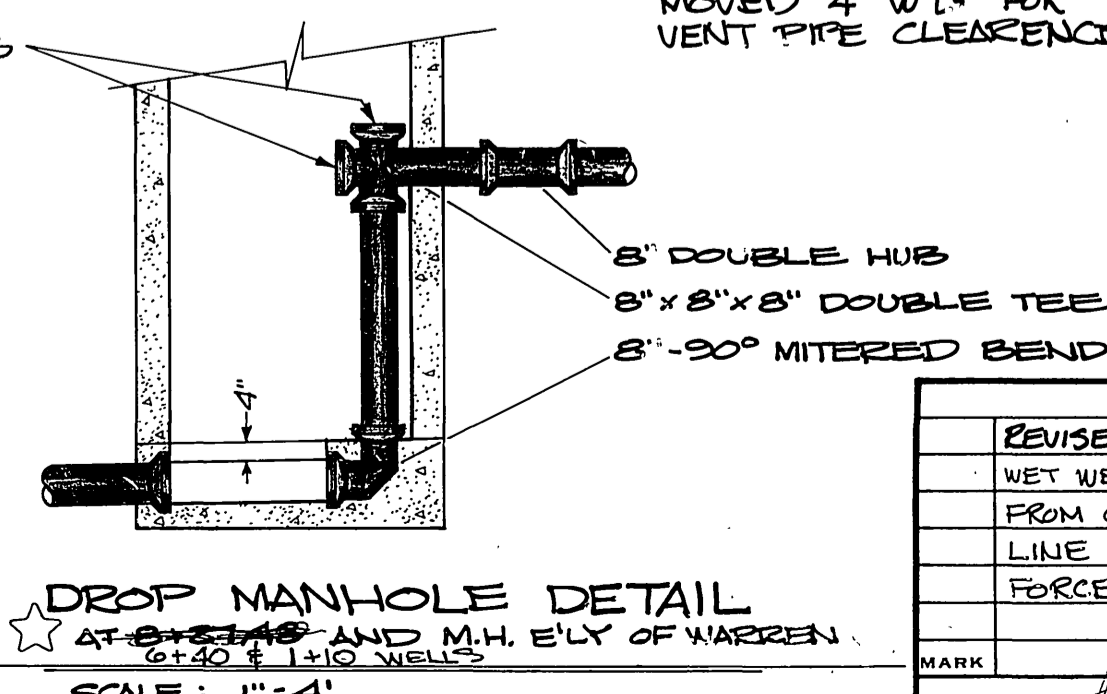
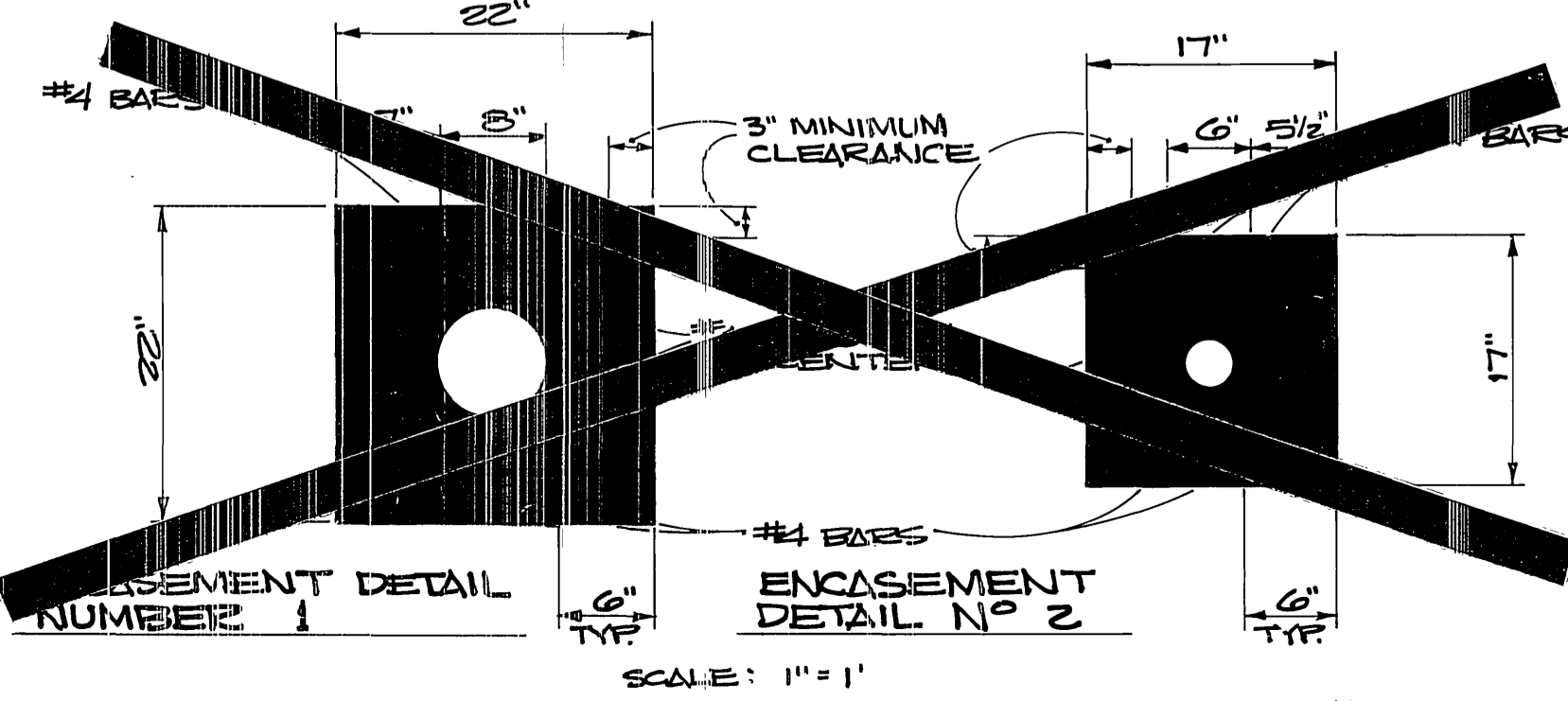
HORIZONTAL AND VERTICAL SCALE: 1"=10'

| | | | | | | |
|---|---------------------------------------|---|--------------|--|---------------|--------------------------|
| REVISED PER CHANGE ORDER WET WELL & LIFT STATION MOVED FROM CORWIN TO WARREN ST. LINE IN WARREN REALIGNED. FORCE MAIN ADDED. | | CITY OF RIVERSIDE PUBLIC WORKS DEPARTMENT | | Anza Channel Sewer Relocations | | ACCOUNT NO. 32-577-539 |
| APPROVED BY: PRINCIPAL ENGINEER PARK DEPARTMENT TRAFFIC DIVISION CHIEF P.W. ENGINEER | APPROVED BY: PUBLIC WORKS DIRECTOR | DATE: 11-5-10 | SCALE: 1"=4' | SCALE: 1"=20' | SCALE: 1"=20' | SHEET 1 OF 1 FILE NO. |



PIPE CURVE DATA

| NO. | R | Δ | T | L |
|-----|------|-------------|--------|--------|
| 1 | 200' | 18° 11' 41" | 32.02' | 63.51' |
| 2 | 200' | 11° 4' 35" | 19.68' | 39.34' |



REVISED PER CHANGE ORDER

WET WELL & LIFT STATION MOVED FROM CORWIN TO WARREN ST. LINE IN WARREN REALIGNED FORCE MAIN ADDED

CITY OF RIVERSIDE
 PUBLIC WORKS DEPARTMENT

APPROVED BY: [Signature]
 PRINCIPAL ENGINEER
 PARK DEPARTMENT
 TRAFFIC DIVISION
 CHIEF P.W. ENGINEER

APPROVED BY: [Signature]
 PUBLIC WORKS DIRECTOR

DATE: 12-8-15

ACCOUNT NO. 32-577-539
 S-1002
 SHEET 1 OF 1
 FILE NO.