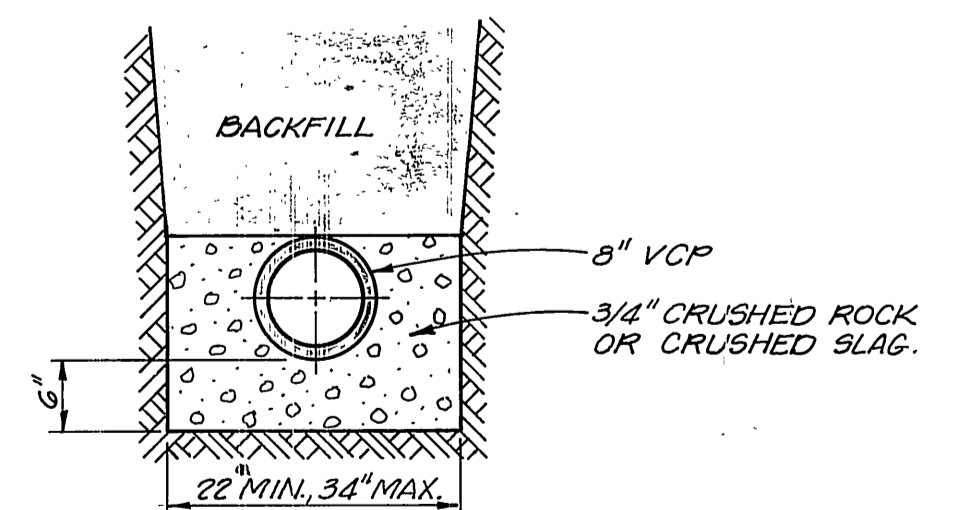


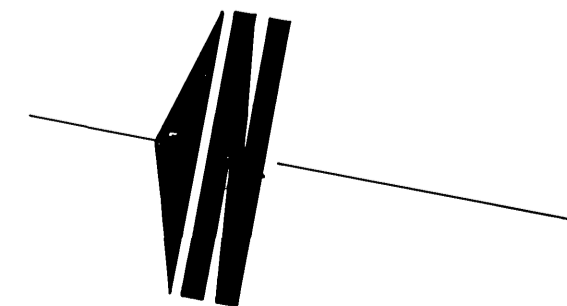
- GENERAL CONSTRUCTION NOTES**
- CONSTRUCTION SHALL BE IN ACCORDANCE WITH STANDARD SPECIFICATIONS FOR PUBLIC WORKS CONSTRUCTION, 1976 EDITION AND CITY OF RIVERSIDE STANDARD DRAWINGS.
 - 500 CONSTRUCT SEWER MANHOLE PER STD. DWG. NO. 500.
 - 562 JOIN HOUSE LATERAL TO NEW SEWER LINE PER STD. DWG. NO. 562.

CURVE DATA

ITEM	R	Δ	L	T
①	200'	4°49'17"	16.03'	0.42'
②	200'	21°03'43"	73.52'	37.18'
		*4°39'28"	*16.26'	*8.13'



TYPICAL PIPE BEDDING
NOT TO SCALE



APPROVED BY
Wally Hyler
CHIEF UTILITIES ENGINEER, WATER
DATE: 6-22-76

MARK	REVISIONS	APPR. DATE

CITY OF RIVERSIDE
PUBLIC WORKS DEPARTMENT

APPROVED BY
PRINCIPAL ENGINEER: *[Signature]* 1976
PARK DEPARTMENT: *[Signature]*
TRAFFIC DIVISION: *[Signature]*
CHIEF P.W. ENGINEER

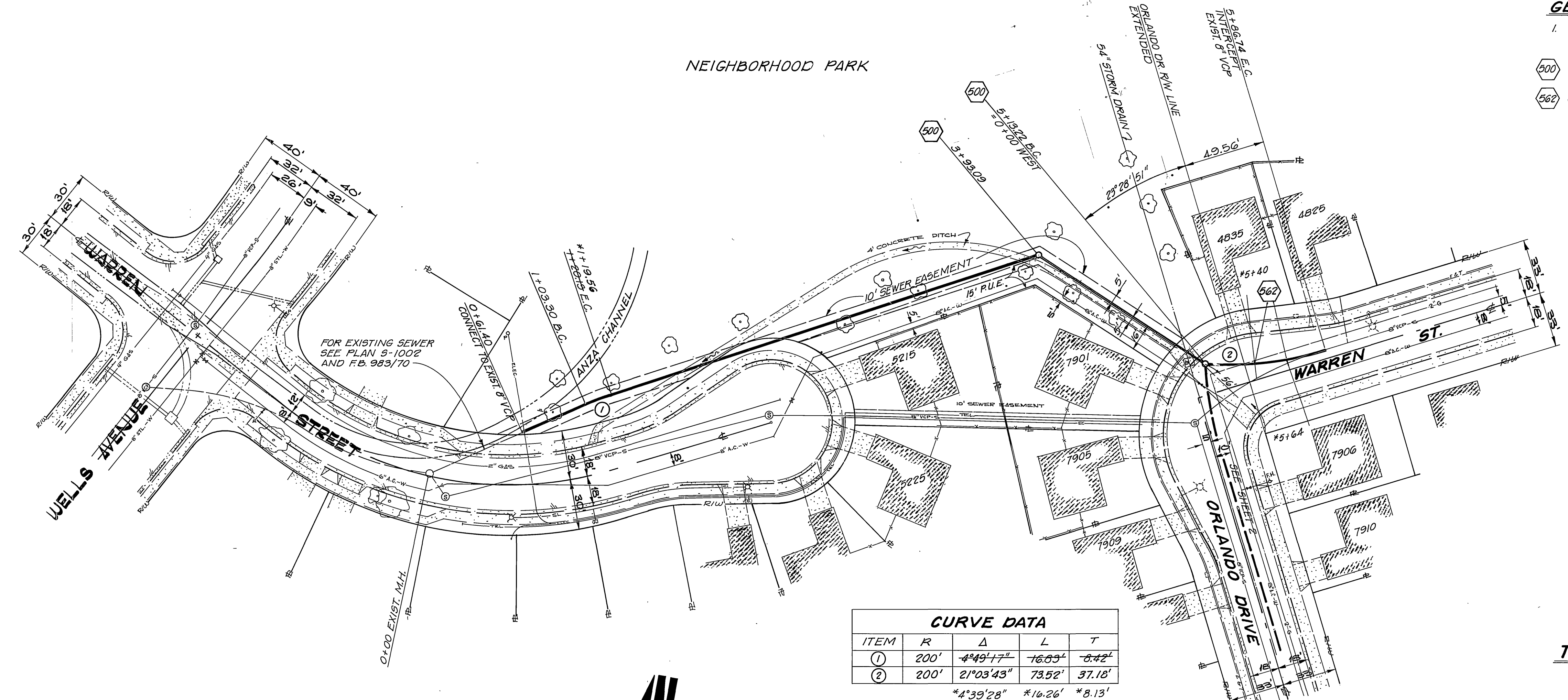
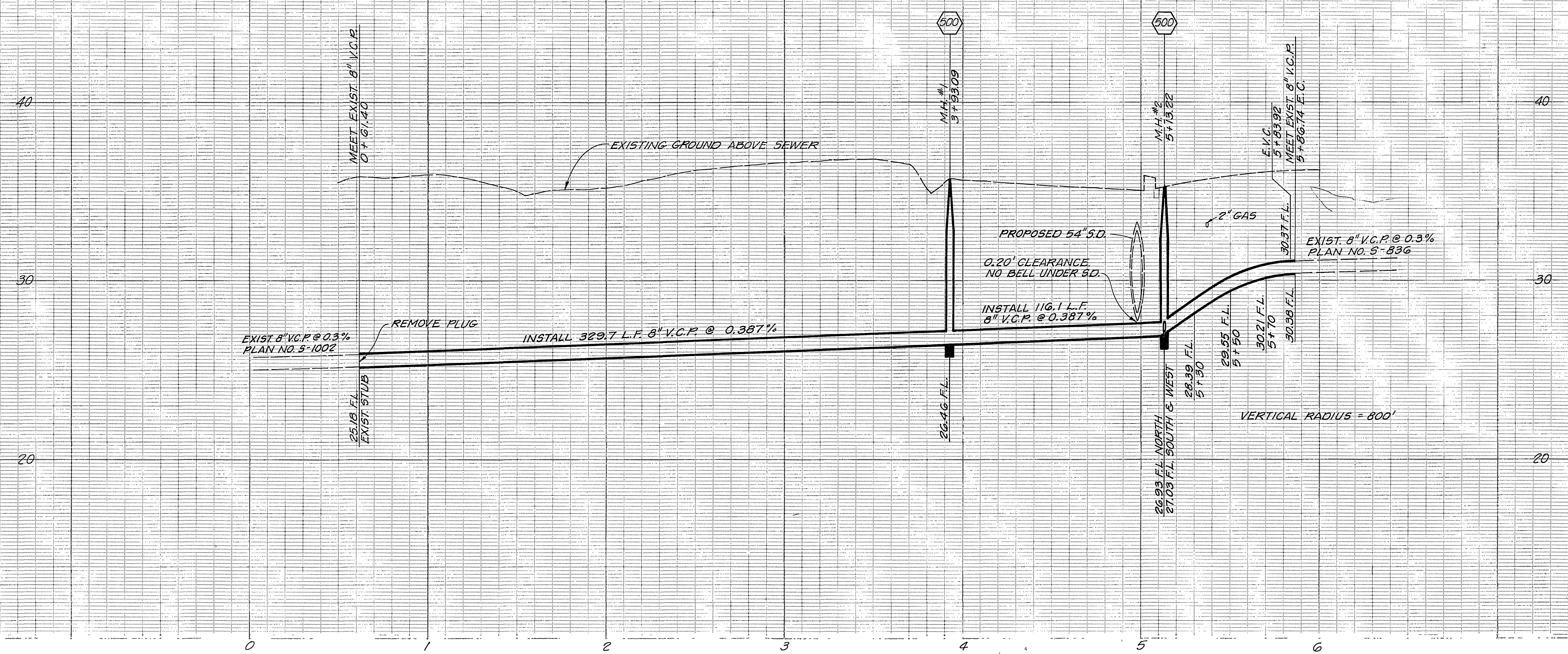
DATE: 11/3/76

*AS BUILT 6-77 KPT

Anza Channel Sewer Relocations

INDEXED REVISIONS
ACCOUNT NO. 32-577-539

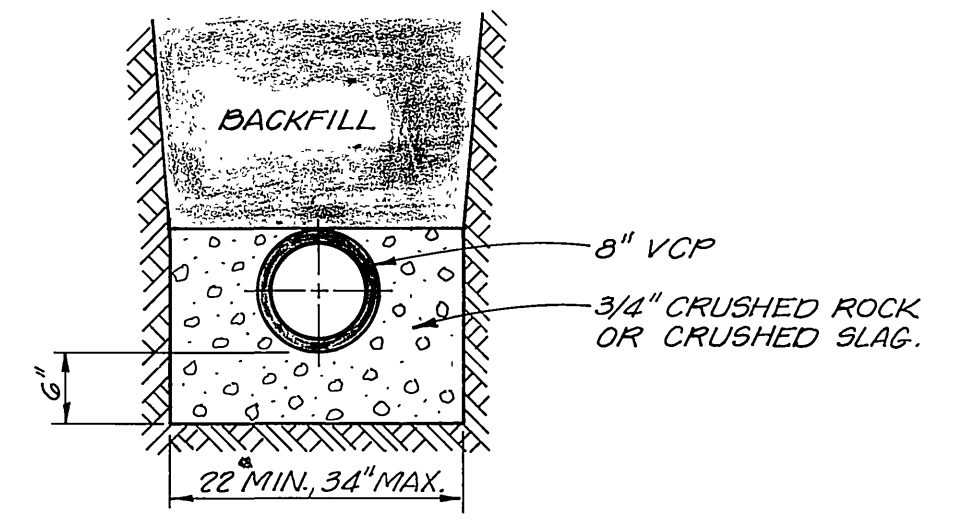
S-1003



- GENERAL CONSTRUCTION NOTES**
- CONSTRUCTION SHALL BE IN ACCORDANCE WITH STANDARD SPECIFICATIONS FOR PUBLIC WORKS CONSTRUCTION, 1976 EDITION AND CITY OF RIVERSIDE STANDARD DRAWINGS.
 - 500 CONSTRUCT SEWER MANHOLE PER STD. DWG. NO. 500.
 - 582 JOIN HOUSE LATERAL TO NEW SEWER LINE PER STD. DWG. NO. 562.

CURVE DATA

ITEM	R	Δ	L	T
1	200'	4°49'17"	16.05'	8.42'
2	200'	21°03'43"	73.52'	37.18'
		4°39'28"	16.26'	8.13'



APPROVED BY
Walter Hyden
CHIEF UTILITIES ENGINEER, WATER
DATE 4-22-76

CITY OF RIVERSIDE
PUBLIC WORKS DEPARTMENT

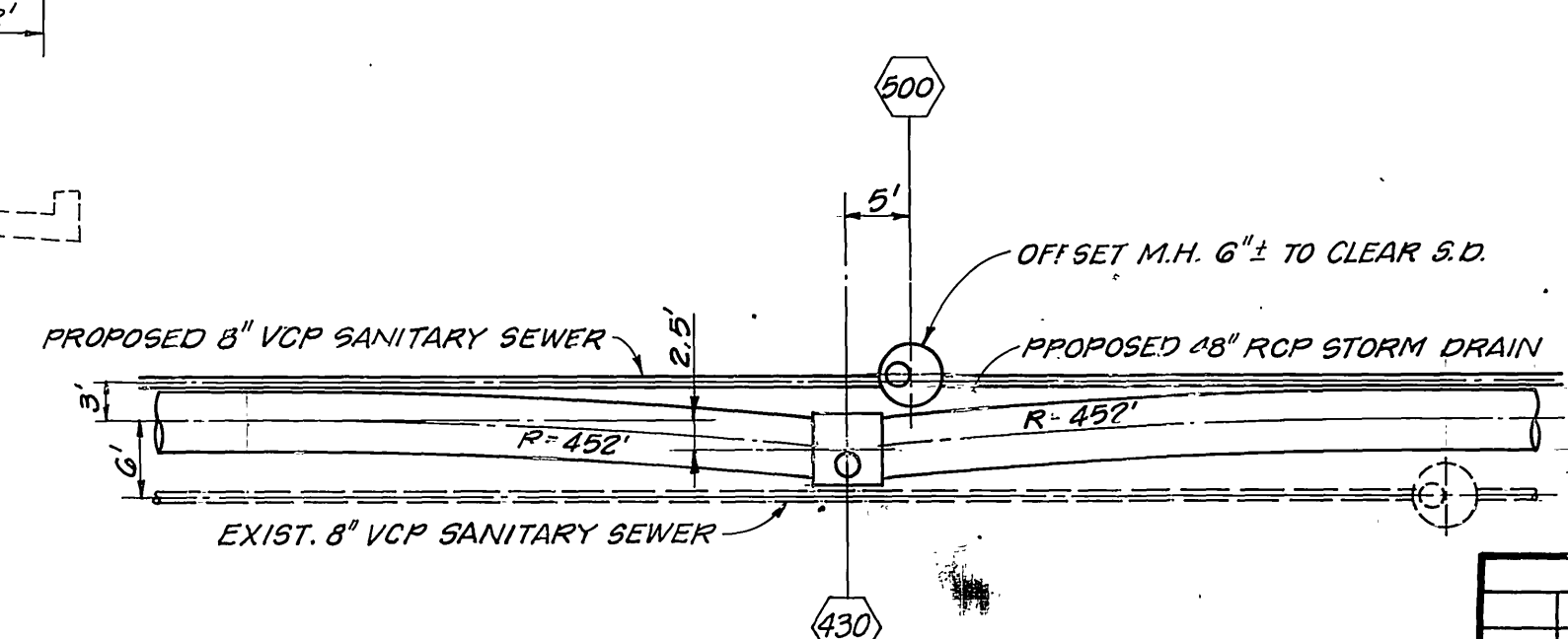
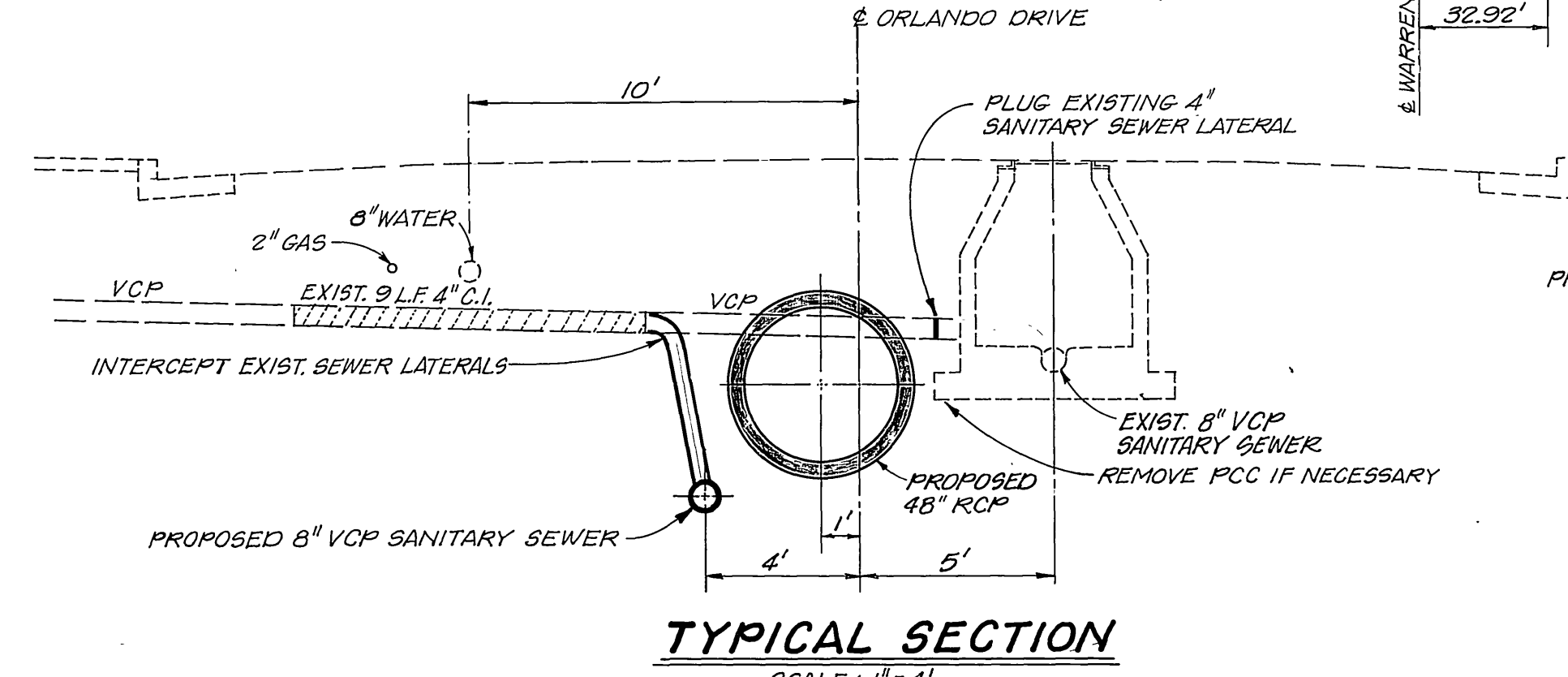
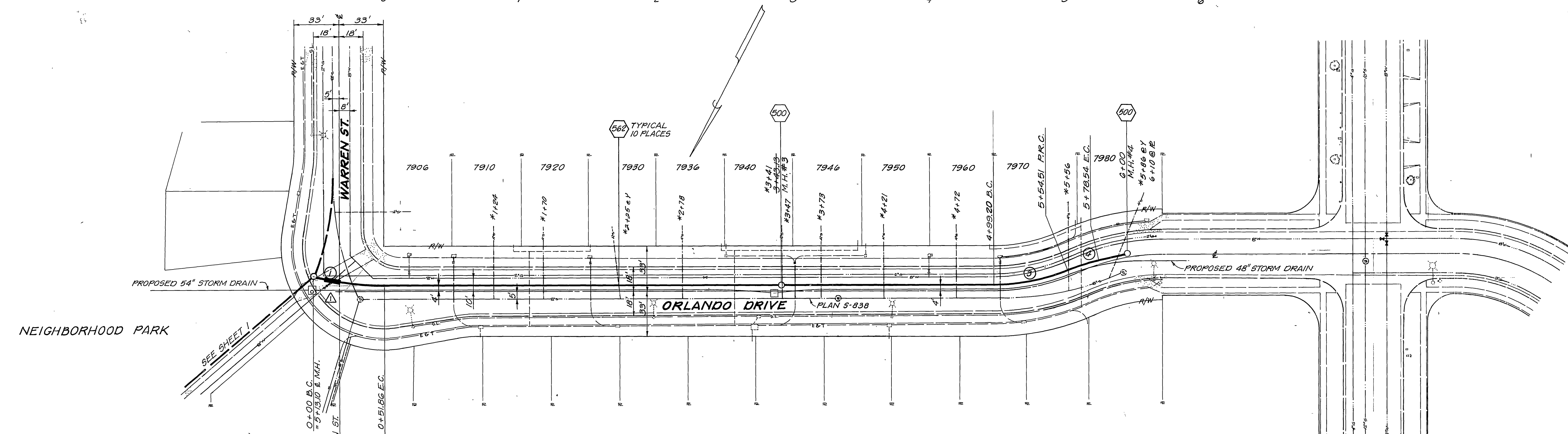
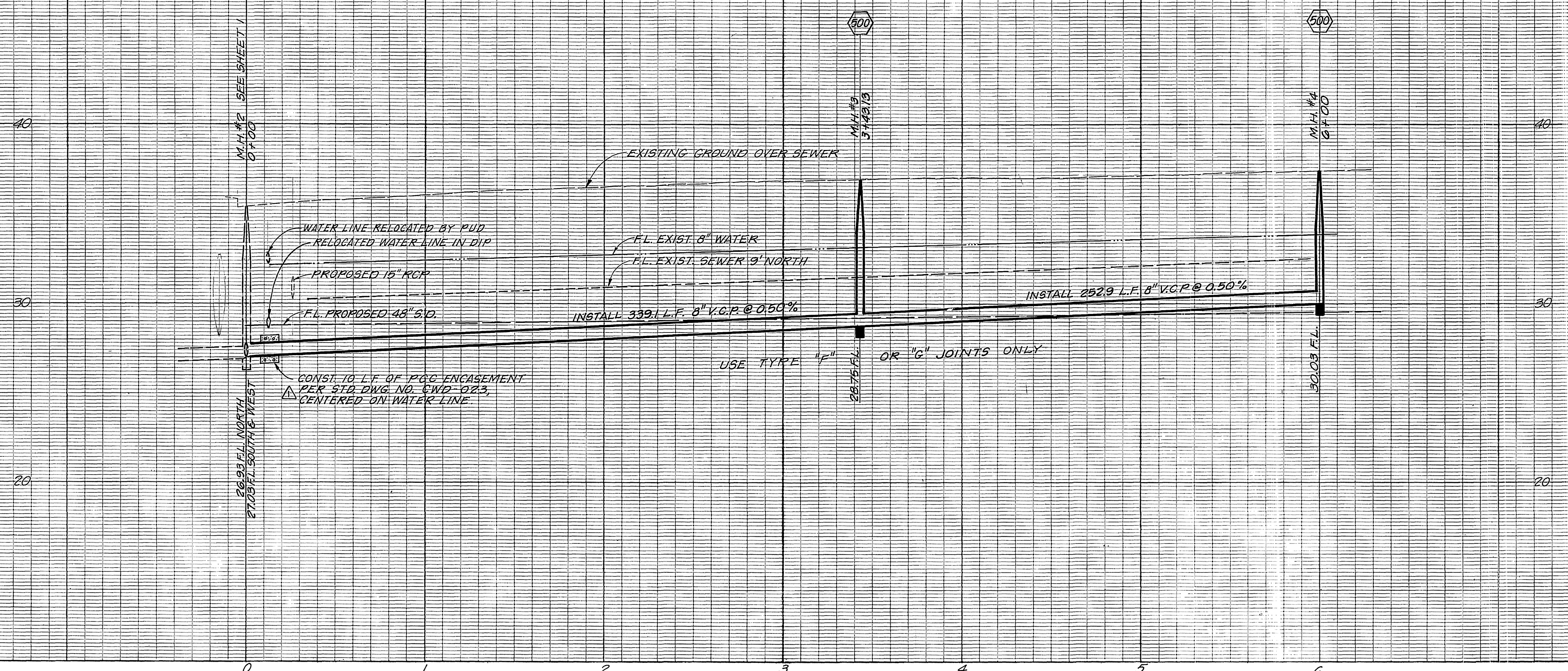
APPROVED BY
PRINCIPAL ENGINEER
PARK DEPARTMENT
TRAFFIC DIVISION
CHIEF P. W. ENGINEER

DATE 11/3/76

Anza Channel
Sewer
Relocations

S-1003

HORIZ. SCALE: 1" = 40' VERT. SCALE: 1" = 4'



CURVE DATA				
ITEM	R	Δ	L	T
①	200'	14°31'23"	51.86'	26.08'
②	146'	21°42'23"	55.31'	27.99'
④	153'	9°00'00"	24.03'	12.04'

APPROVED BY
Wesley Helen
 CHIEF UTILITIES ENGINEER, WATER
 DATE 6-22-76

DESIGNED BY
 DRAWN BY
 CHECKED BY

CITY OF RIVERSIDE
PUBLIC WORKS DEPARTMENT
 APPROVED BY
 PRINCIPAL ENGINEER
 PARK DEPARTMENT
 TRAFFIC DIVISION
 CHIEF P. W. ENGINEER
 DATE 11/3/76

Anza Channel
Sewer
Relocations
 HORIZ. SCALE: 1" = 40'
 VERT. SCALE: 1" = 4'

ACCOUNT NO. 32-577-539
S-1003
 SHEET 2 OF 2
 FILE NO.