

LOCATION MAP
No Scale

GENERAL NOTES

1. Construction shall be in accordance with the standard specifications for Public Works Construction, 1978 Edition, and the City of Riverside Standard Drawings.
2. It shall be the responsibility of the contractor to clear the right of way in accordance with the provisions of the law as it affects each utility including irrigation lines and appurtenances and of no cost to the City.
3. Pipe shall be bedded per Case 1, Standard Drawing No. 452, unless otherwise specified on plans.
4. Location of wyes and laterals to be determined of the direction of the owner.
5. All stubs and laterals to be constructed in accordance with Standard Drawing No. 562. Stubs shall be plugged and capped.
6. Manhole frames and covers to be set as noted in profile by sewer contractor after final paving of streets.
7. Laterals are to be 4" and extended to property line.
8. Prior to construction of sewer, contractor is to expose the existing sewer and contact the Engineer for verification of existing location and elevation.
9. A plug shall be installed and remain in place where the new sewer connects with the existing sewer until the new sewer is accepted by the City.

NOTICE TO CONTRACTOR

The existence and location of underground utility pipes or structures shown on these plans are obtained by a search of the available records. To the best of our knowledge, there are no existing utilities except as shown on these plans.

The contractor is required to take due precautionary measures to protect the utility lines shown and any other lines not of record or not shown on these plans.

BENCH MARK

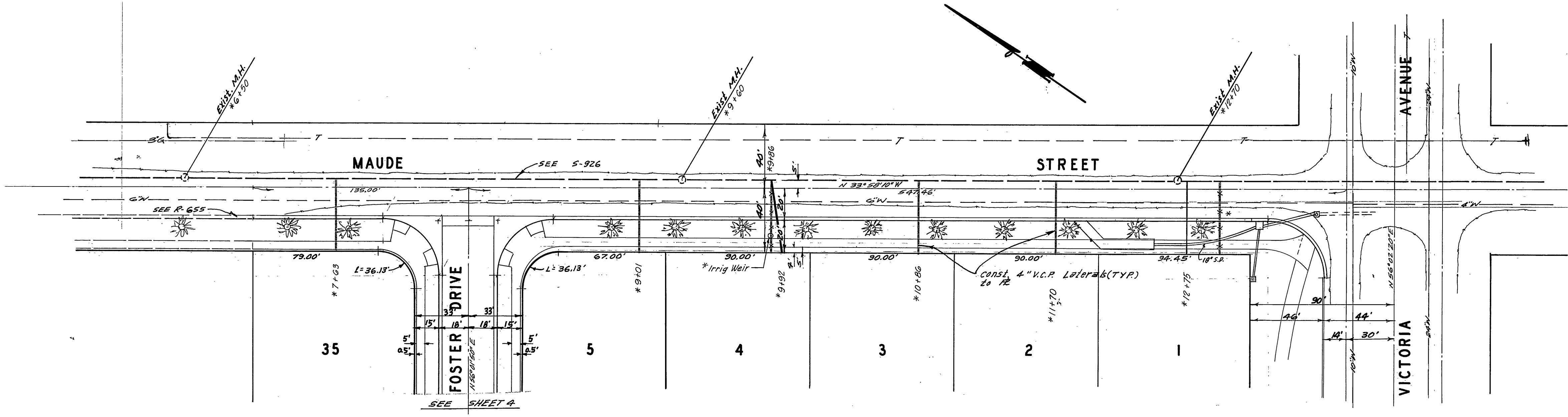
(66-6) Pk. nail and top in culvert headwall of westerly corner of Victoria Avenue and Anna Street.
Elevation: 260.565.

INDEX MAP
Scale: 1"=60'

A. WEBB ASSOCIATES CIVIL ENGINEERS RIVERSIDE, CALIFORNIA APPROVED BY: <i>[Signature]</i> DATE: 5/6/75 P.E. No. 2576 W.C. 29400 FOR THE R.I.V. CO. P.L. 1232		Approved By: <i>[Signature]</i> 6-26-75 Chief Plans Utility Engineer Date		*As Built 12-75 KPT	
CITY OF RIVERSIDE, CALIFORNIA PUBLIC WORKS DEPARTMENT			ACCOUNT No. DRAWING NUMBER		5-1004
INDEX TRACT NO. 5459			SHEET 1 OF 4		73-209-B
DESIGNED BY: <i>[Signature]</i> DRAWN BY: <i>[Signature]</i> CHECKED BY: <i>[Signature]</i>		DATE: 7-23-75		SCALE: As Shown	

BENCH MARK

(66-6) P.R. rail stop in culvert headwall @ Wly Corner of Victoria Ave. and Maude St. Elev. 960.365



ALBERT A. WEBB ASSOCIATES
 CIVIL ENGINEERS
 RIVERSIDE, CALIFORNIA
 APPROVED BY: *[Signature]* DATE 5/6/75
 R.E. No. 9876

MARK	REVISIONS	APPR.	DATE

Approved by: *[Signature]* DATE 6-26-75
 Chief Water Utility Engineer
 CITY OF RIVERSIDE, CALIFORNIA
 PUBLIC WORKS DEPARTMENT
 APPROVED BY: *[Signature]* DATE 7/25
 PRINCIPAL ENGINEER
 PARK DEPARTMENT
 TRAFFIC DIVISION
 CHIEF PUB. WKS. ENGR. DATE 7-23

SEWER PLAN AND PROFILE
 MAUDE STREET
 TRACT 5459

ACCOUNT No.
 DRAWING NUMBER
 5-1004
 SHEET 2 OF 4
 73-209-B

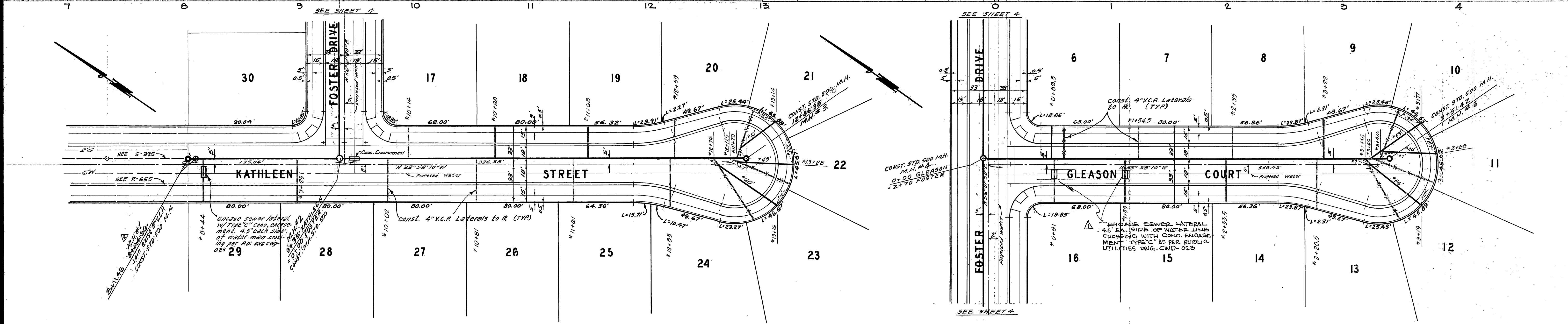
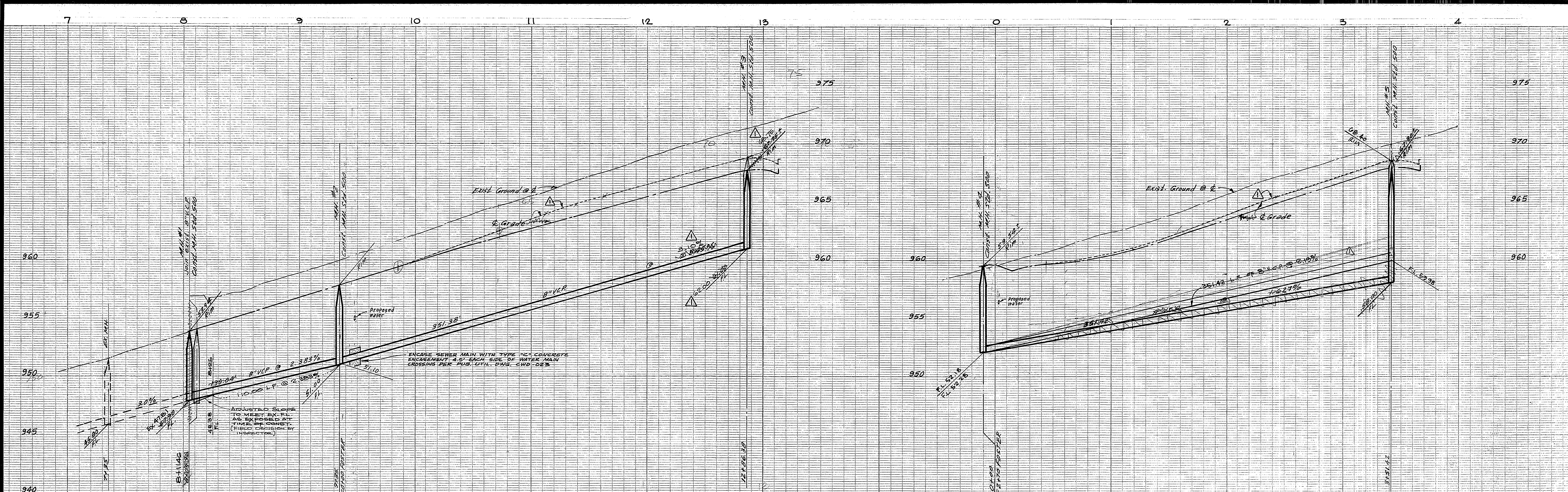
W.O. 73-209 FOR: The Rudio Co. F.B. 1032

DESIGNED BY: BEL DRAWN BY: BEL CHECKED BY: GDM

DATE 7-23-75

SCALE: 1" = 40' Horiz.

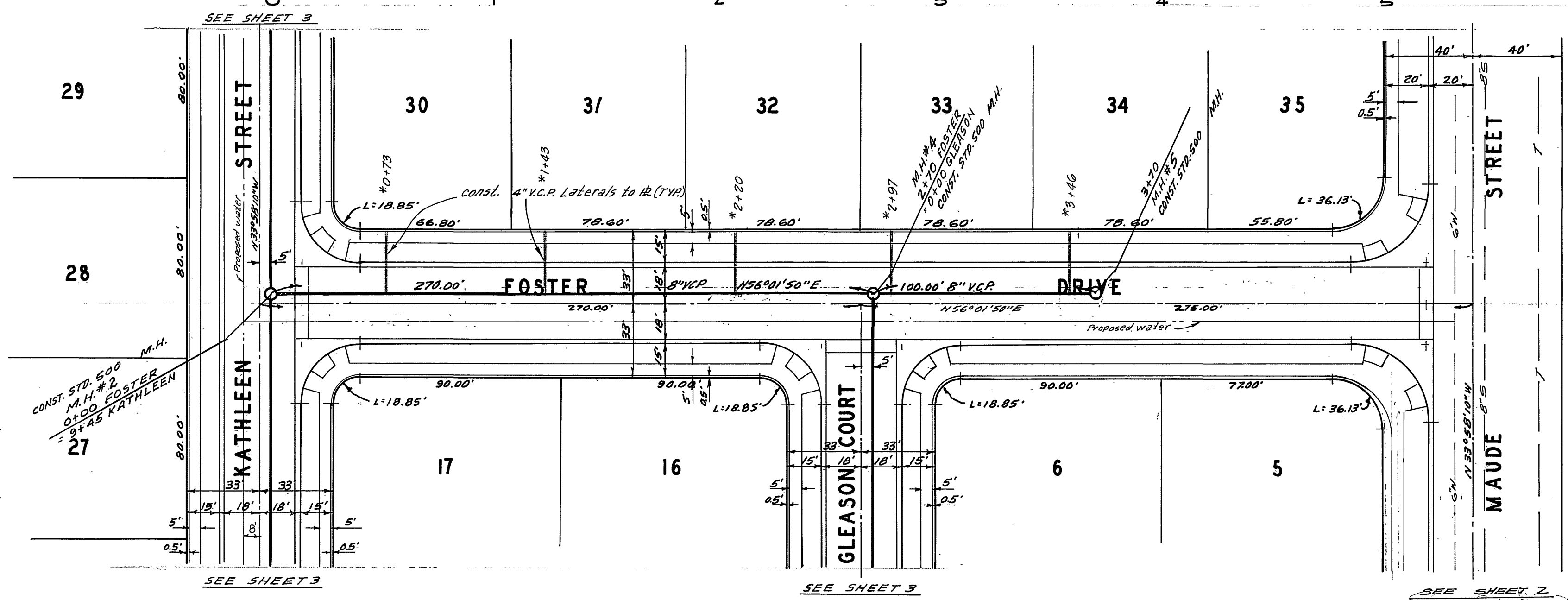
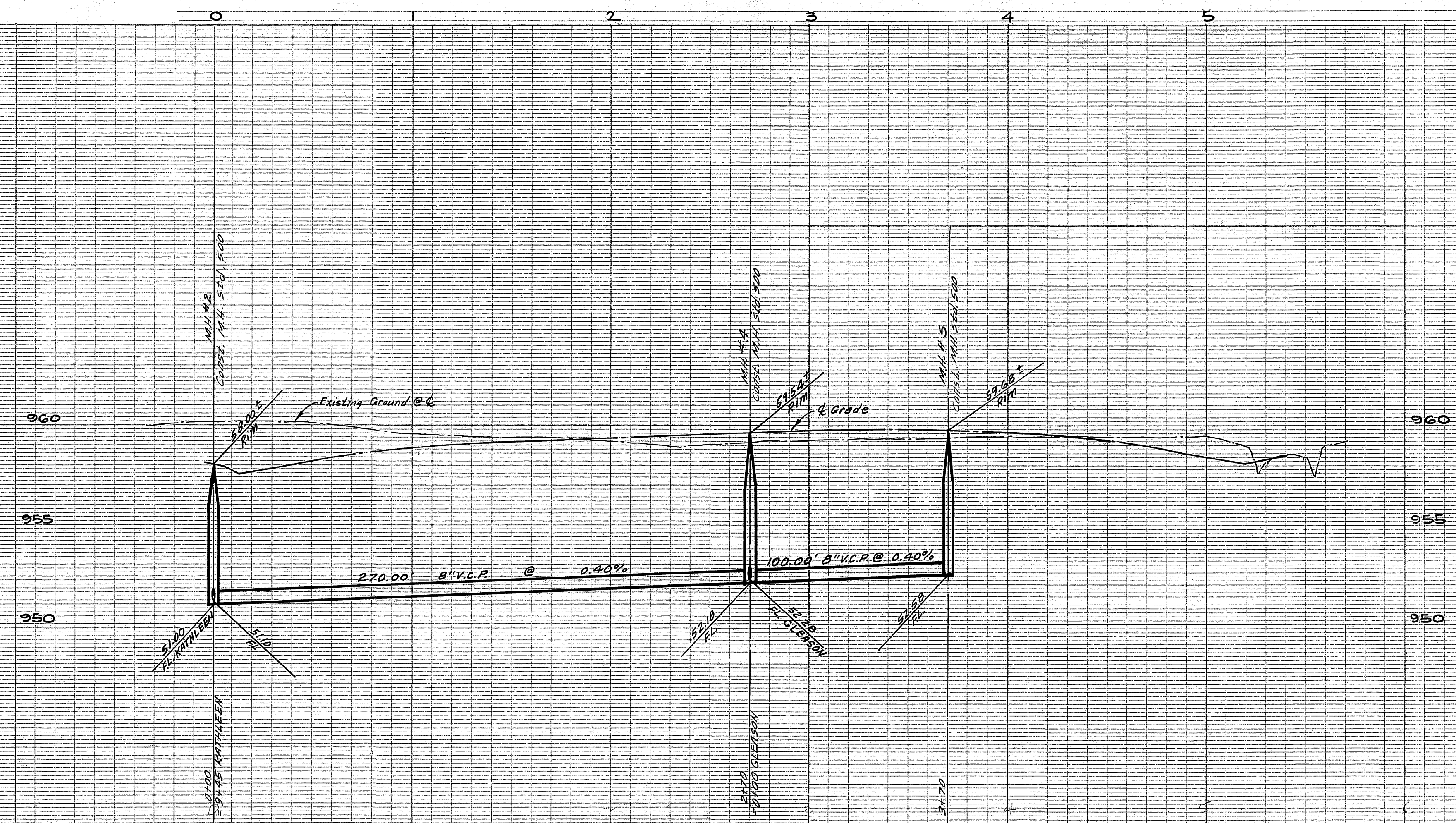
MAUDE



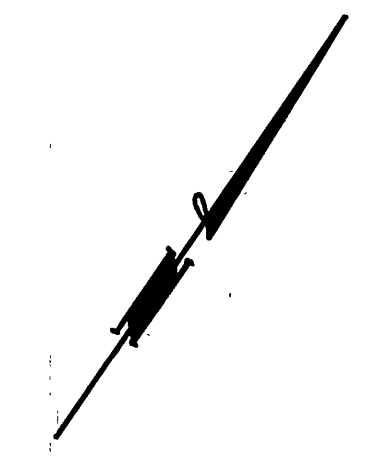
BENCH MARK

(66-6) 8" nail & top in culvert headwall @ W. corner of Victoria Ave. and Anna St. Elev. 960.565

ALBERT A. WEBB ASSOCIATES CIVIL ENGINEERS RIVERSIDE, CALIFORNIA APPROVED BY: <i>[Signature]</i> DATE: 5/6/75 R.E. No. 9976 W.O. 73-209 FOR: The Public Co. F.B. 1032	DESIGNED BY: BEL DRAWN BY: BEL CHECKED BY: BDM	APPROVED BY: <i>[Signature]</i> DATE: 6-26-75 Chief Water Utility Engineer	CITY OF RIVERSIDE, CALIFORNIA PUBLIC WORKS DEPARTMENT APPROVED BY: <i>[Signature]</i> DATE: 7-23-75 CHIEF PUB. WKS. ENGR.	SEWER PLAN AND PROFILE KATHLEEN STREET GLEASON COURT TRACT 5459 SCALE: 1" = 40' Horiz. 1" = 4' Vert.	ACCOUNT No. DRAWING NUMBER 5-1004
		SHEET 3 OF 4 73-209-B			



BENCH MARK
 (66-G) Pk. nail & tag in culvert headwall @ Wly corner of Victoria Ave. and Anna St. Elev. 960.565



ALBERT A. WEBB ASSOCIATES
 CIVIL ENGINEERS
 RIVERSIDE, CALIFORNIA
 APPROVED BY: *[Signature]* DATE: 5/6/75
 R.E. No. 9876

MARK	REVISIONS	APPR.	DATE

Approved By: *[Signature]* DATE: 6-26-75
 Chief Water Utility Engineer

CITY OF RIVERSIDE, CALIFORNIA
 PUBLIC WORKS DEPARTMENT

APPROVED BY: *[Signature]* DATE: 7-23-75
 PRINCIPAL ENGINEER
 PARK DEPARTMENT
 TRAFFIC DIVISION
 CHIEF PUB. WKS. ENGR.

SEWER PLAN AND PROFILE
FOSTER DRIVE
 TRACT 5459

ACCOUNT No.
 DRAWING NUMBER
S-1004
 SHEET **4** OF **4**
 73-209-B