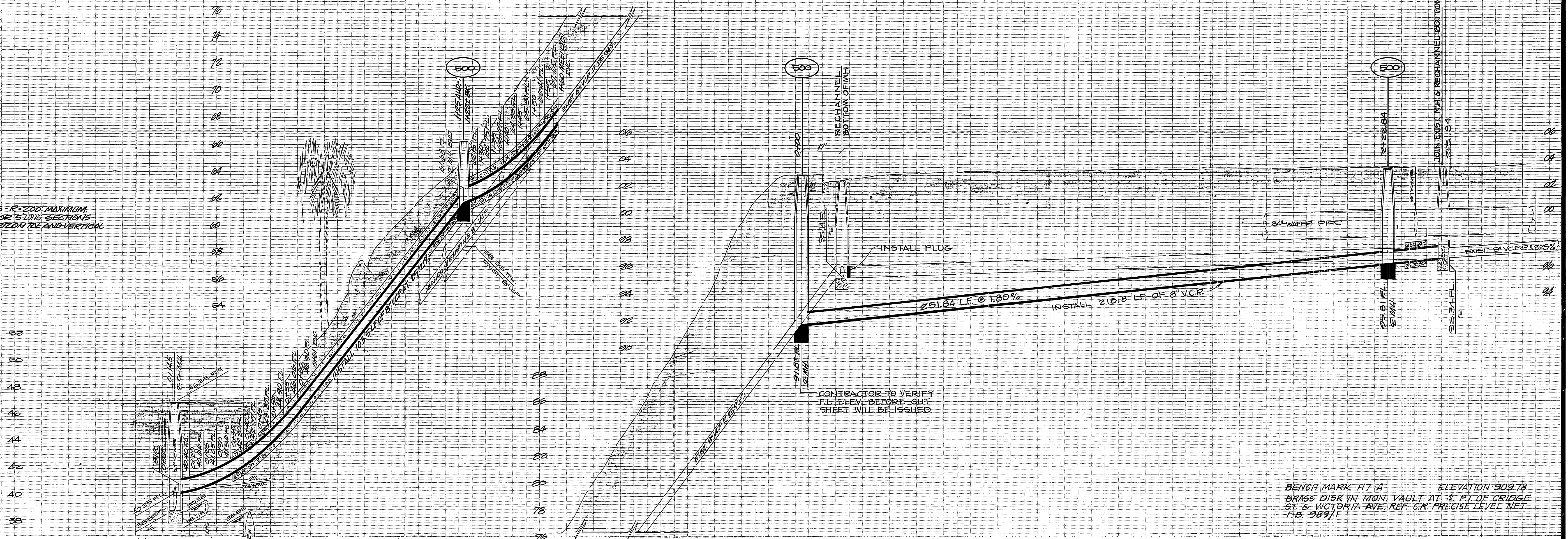


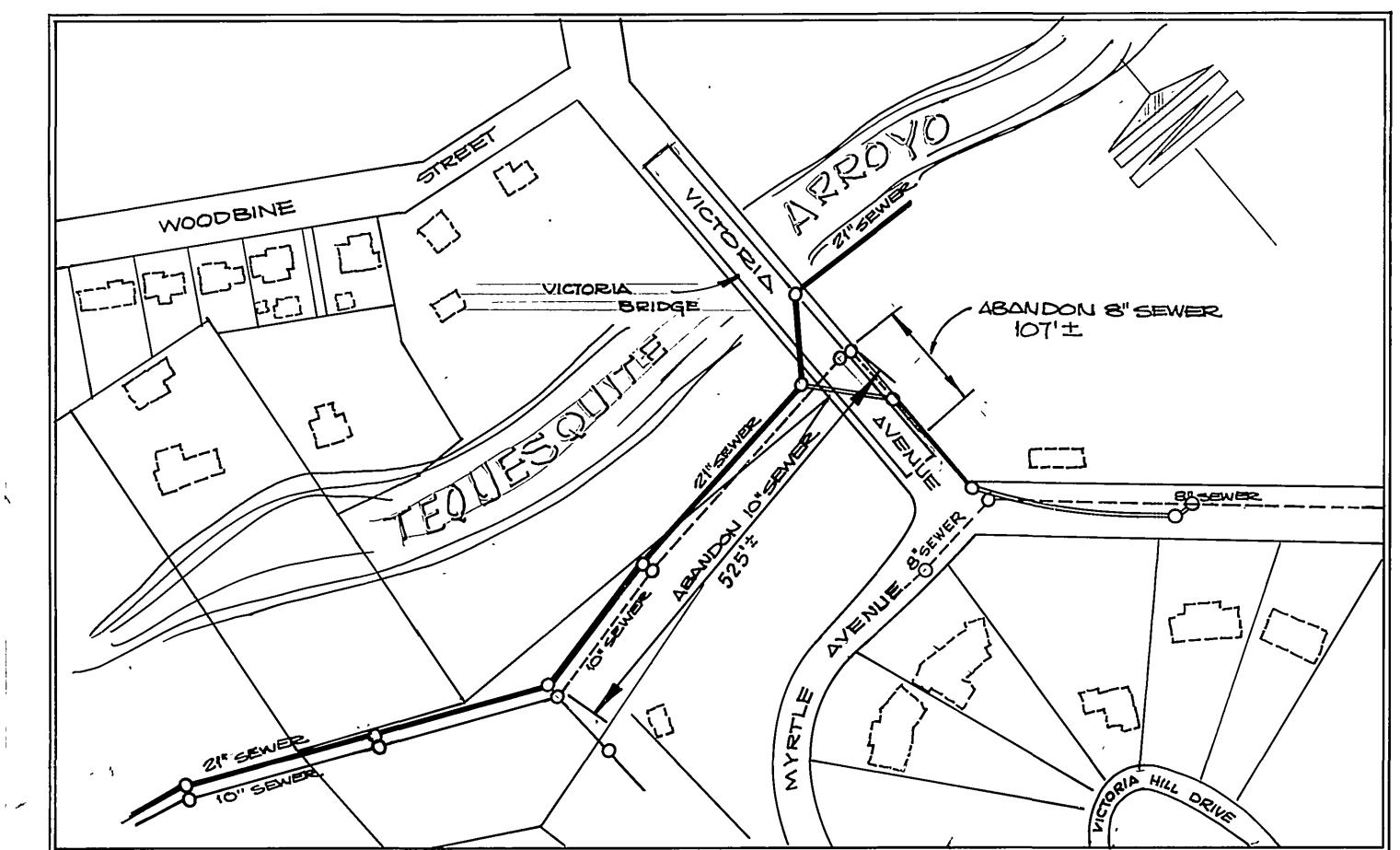
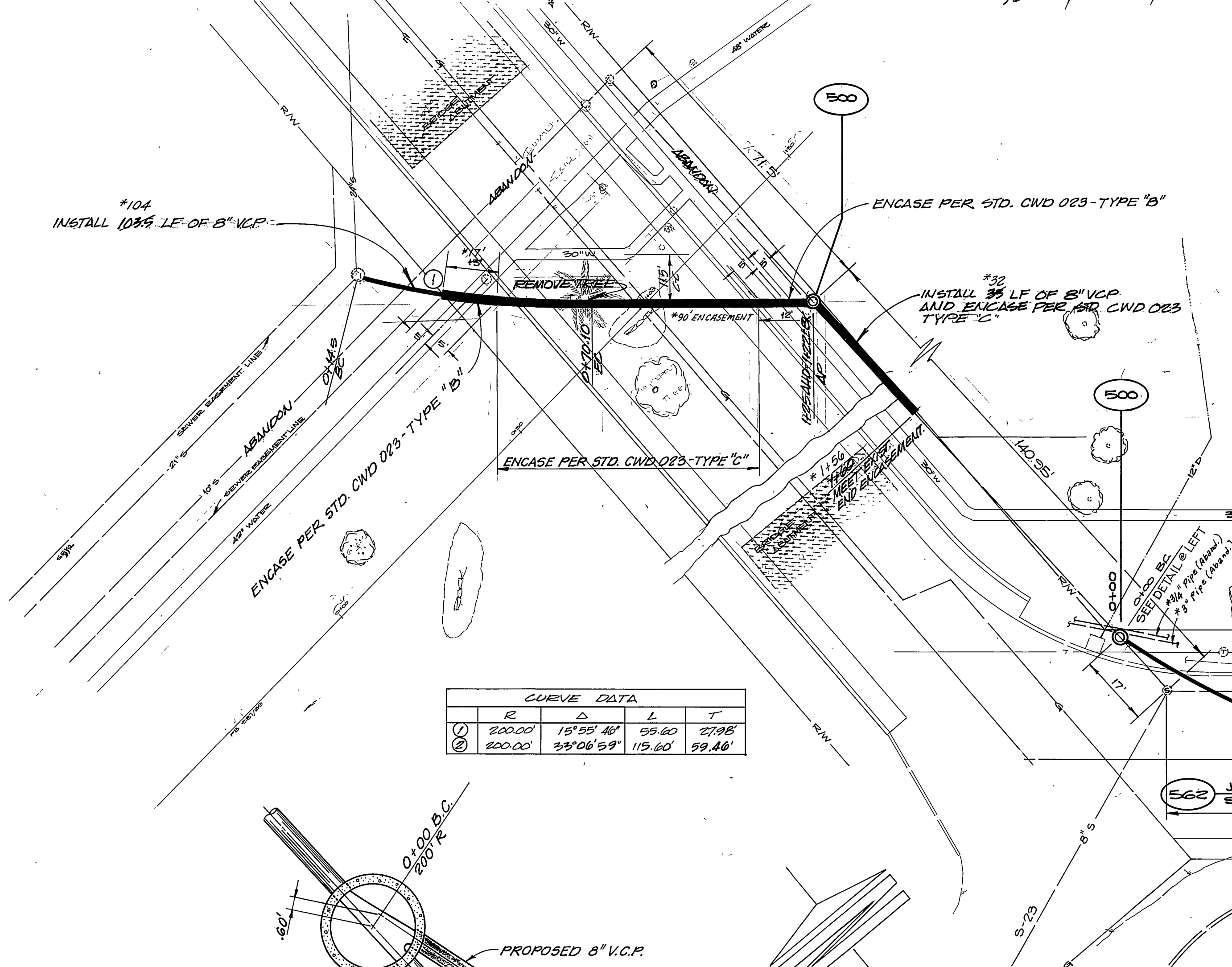
NOTE:
 VERTICAL CURVES - R=200' MAXIMUM.
 JOINTS OPENING FROM 15' LONG SECTIONS
 15' 2" WIDERS. HORIZONTAL AND VERTICAL
 CURVES OVERLAP.



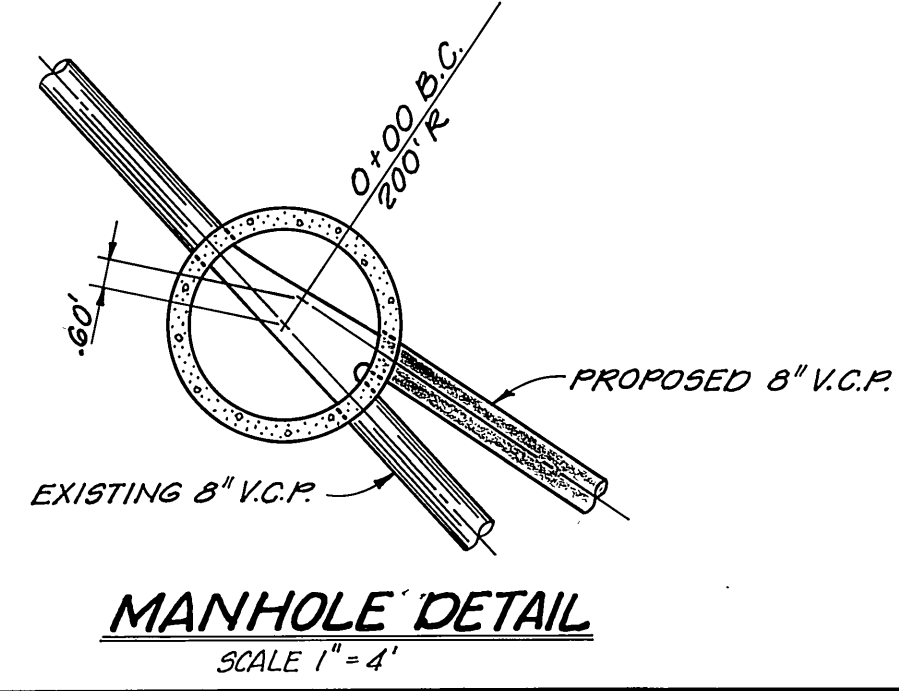
BENCH MARK H7-A ELEVATION 909.78
 BRASS DISK IN MON. VAULT AT E. P.I. OF BRIDGE
 ST. & VICTORIA AVE. REF. C.R. PRECISE LEVEL NET
 F.B. 989/1

GENERAL CONSTRUCTION NOTES:

- CONSTRUCTION SHALL BE IN ACCORDANCE WITH "STANDARD SPECIFICATIONS FOR PUBLIC WORKS CONSTRUCTION" 1973 EDITION, AND CITY OF RIVERSIDE STANDARD DRAWINGS.
 - BEDDING SHALL BE PER STD. DNG NO 452, CASE 1, EXCEPT WHERE SHOWN OTHERWISE.
- 500 CONSTRUCT SEWER MANHOLE PER STD. DNG 500
 562 JOIN HOUSE LATERAL TO NEW SEWER LINE PER STD. DNG 562



CURVE DATA			
R	Δ	L	T
200.00	15° 55' 16"	55.60	27.98
200.00	33° 06' 59"	115.60	59.46

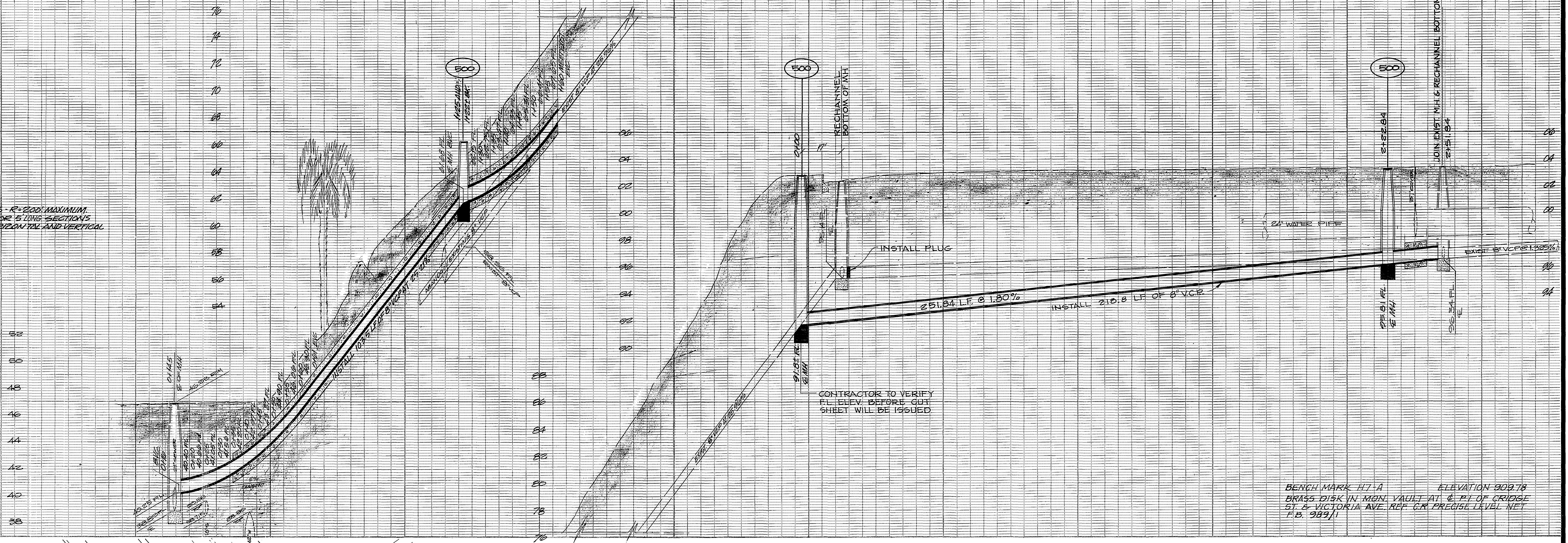


Notify 24 hours in advance of work
 APPROVED BY: *Wally Taylor* 4-13-76
 CHIEF UTILITIES ENGINEER, WATER DATE

CITY OF RIVERSIDE PUBLIC WORKS DEPARTMENT		VICTORIA AVE. RELIEF SEWER		ACCOUNT NO. 32-577-947
APPROVED BY: <i>[Signature]</i> PRINCIPAL ENGINEER PARK DEPARTMENT		APPROVED BY: <i>[Signature]</i> PUBLIC WORKS DIRECTOR		S-1006 SHEET 1 OF 1
DESIGNED BY: <i>[Signature]</i> DRAWN BY: <i>[Signature]</i> CHECKED BY: <i>[Signature]</i>		DATE: 5-24-76		FILE NO.

HOR. SCALE: 1" = 20' VERT. SCALE: 1" = 4'

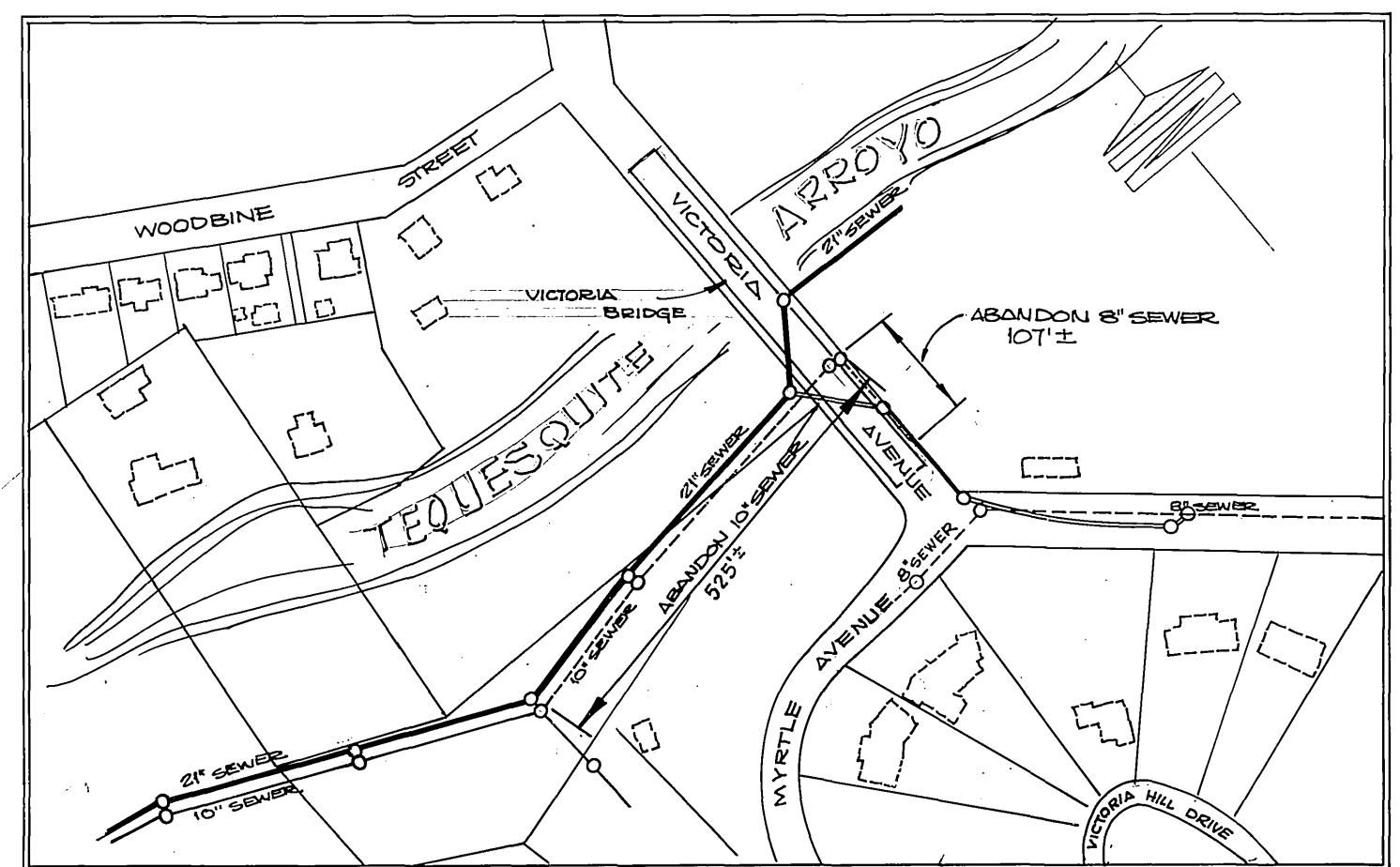
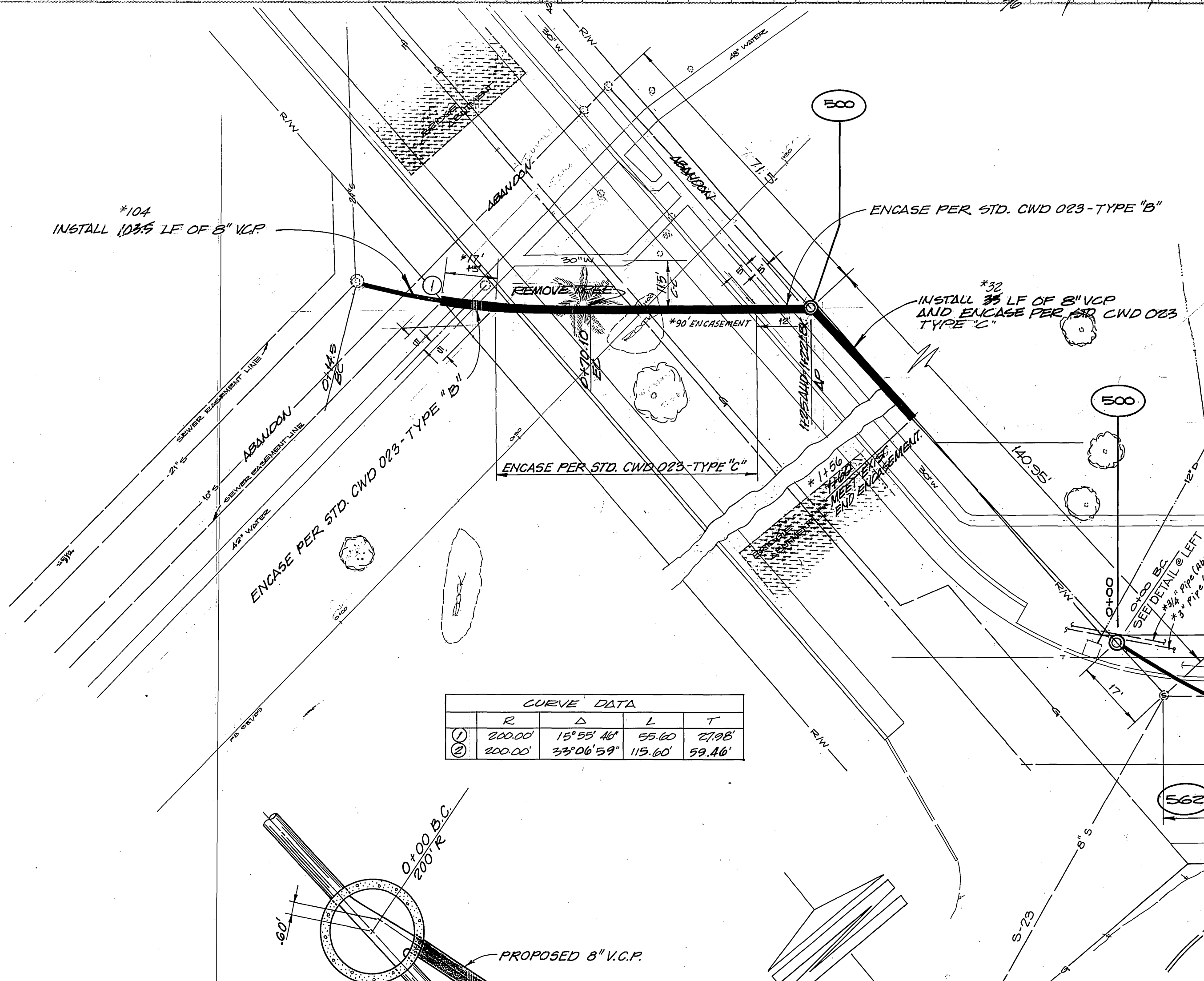
NOTE:
VERTICAL CURVES - R=200' MAXIMUM
JOINT OPENING FOR 5' LONG SECTIONS
15" WHERE HORIZONTAL AND VERTICAL
CURVES OVERLAP



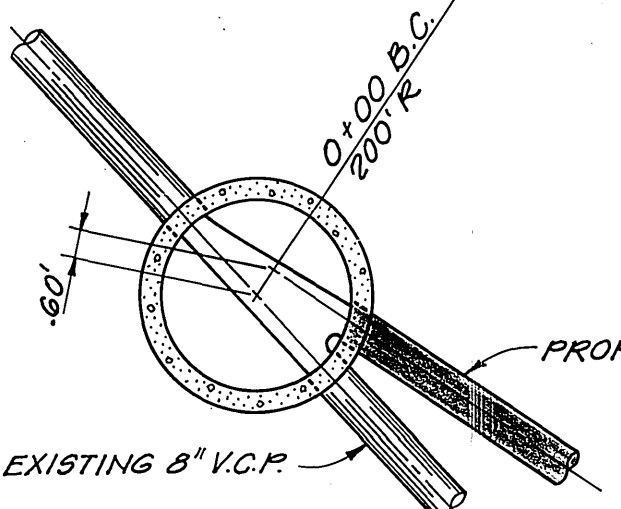
BENCH MARK 117-A ELEVATION 309.78
BRASS DISK IN MGN. VAULT AT C. P.I. OF BRIDGE
ST. & VICTORIA AVE. REF. C.R. PRECISE LEVEL NET
F.B. 289/1

GENERAL CONSTRUCTION NOTES:

- CONSTRUCTION SHALL BE IN ACCORDANCE WITH "STANDARD SPECIFICATIONS FOR PUBLIC WORKS CONSTRUCTION" 1973 EDITION, AND CITY OF RIVERSIDE STANDARD DRAWINGS.
 - BEDDING SHALL BE PER STD. DWG. NO. 452, CASE I, EXCEPT WHERE SHOWN OTHERWISE.
- 500 CONSTRUCT SEWER MANHOLE PER STD. DWG. 550
 - 560 JOIN HOUSE LATERAL TO NEW SEWER LINE PER STD. DWG. 560



CURVE DATA				
R	Δ	L	T	
200.00	15°55'48"	95.60	27.98	
200.00	23°06'59"	119.60	39.86	



MANHOLE DETAIL
SCALE 1" = 4'

Notify 24 hours in advance of work
APPROVED BY: *Wally Hoffer*
CHIEF UTILITIES ENGINEER, WATER
DATE: 4-13-76

CITY OF RIVERSIDE PUBLIC WORKS DEPARTMENT			VICTORIA AVE. RELIEF SEWER		ACCOUNT NO. 82-500-031-7	
APPROVED BY PRINCIPAL ENGINEER PARK DEPARTMENT	<i>[Signature]</i> 5/12 4-5	APPROVED BY PUBLIC WORKS DIRECTOR	<i>[Signature]</i>			
TRAFFIC DIVISION	DATE: 5-24-76	DESIGNED BY	DRAWN BY	CHECKED BY	DATE	FILE NO.
SEWERAGE DIVISION	5-24					S-1006

HORIZONTAL SCALE: 1" = 20' VERTICAL SCALE: 1" = 4'