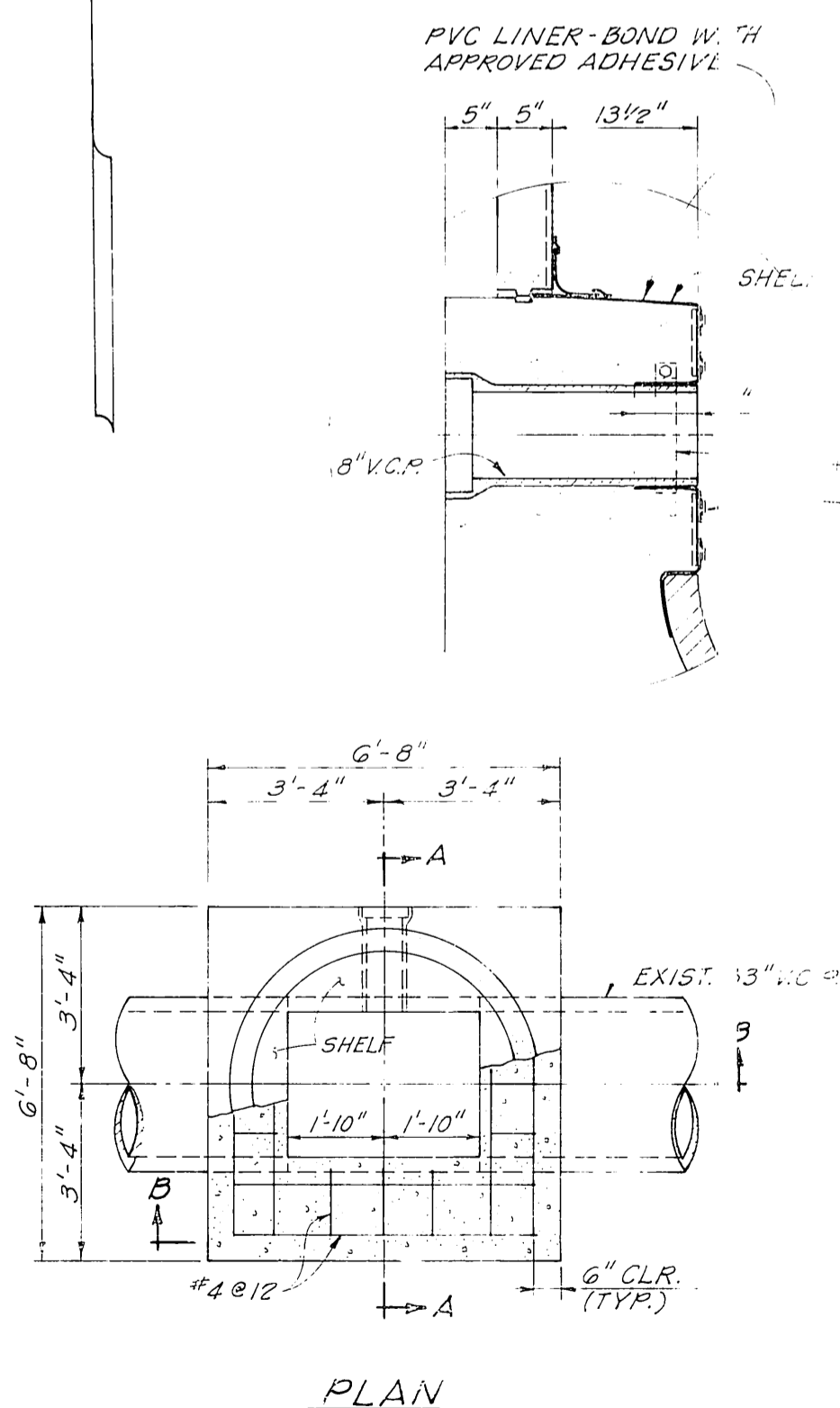
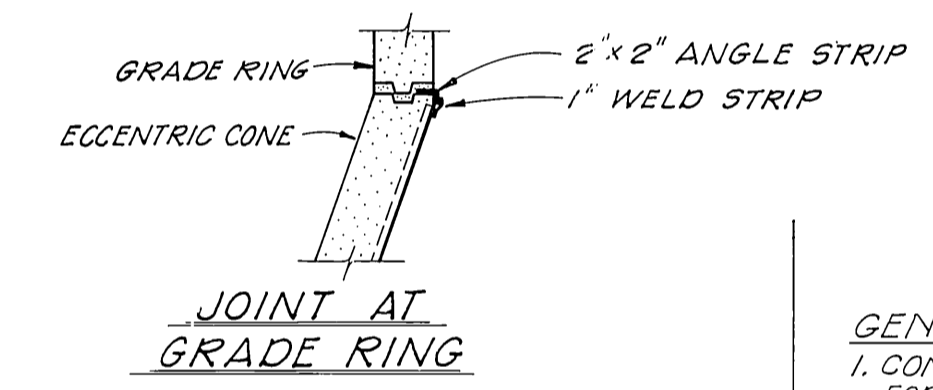
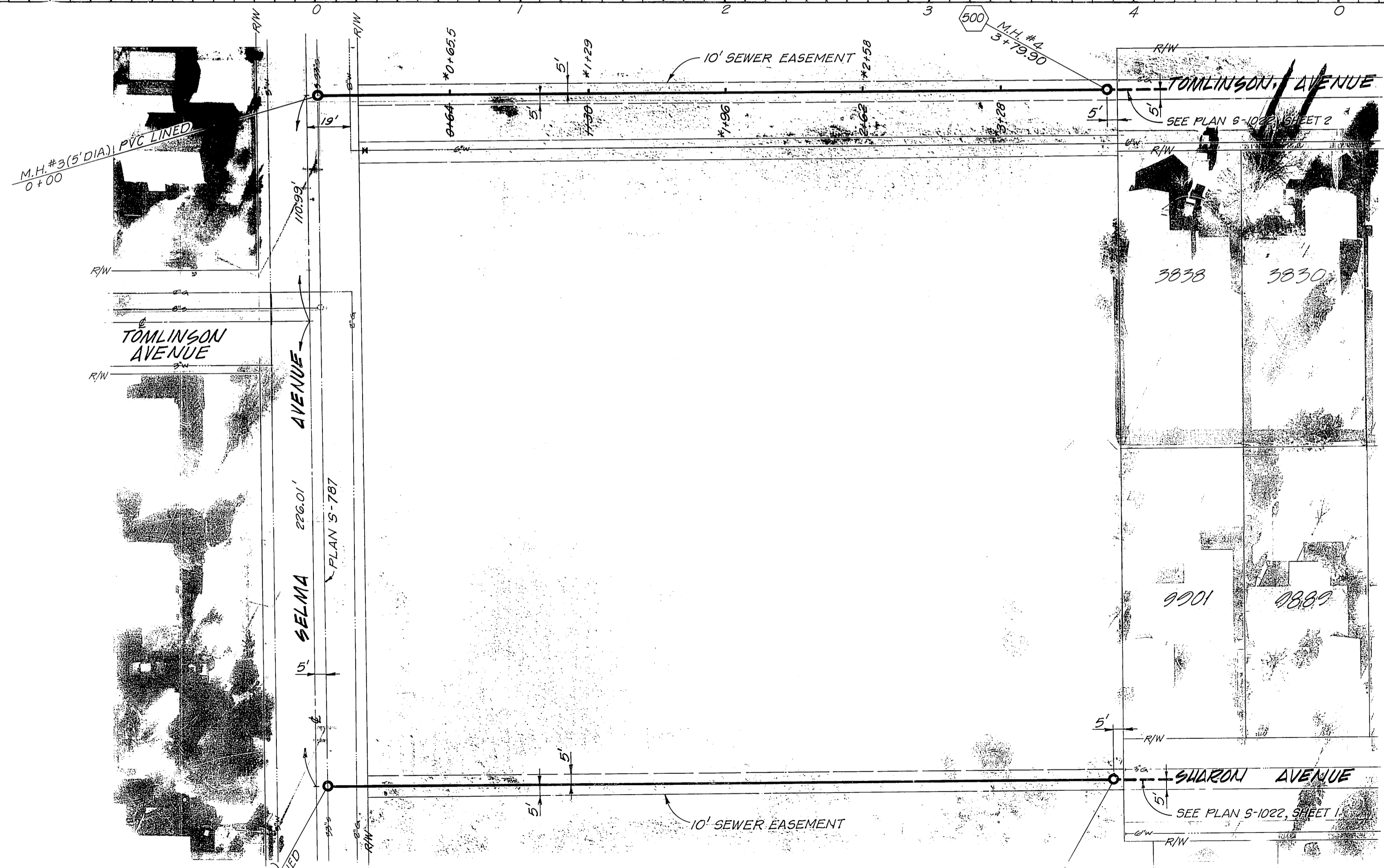
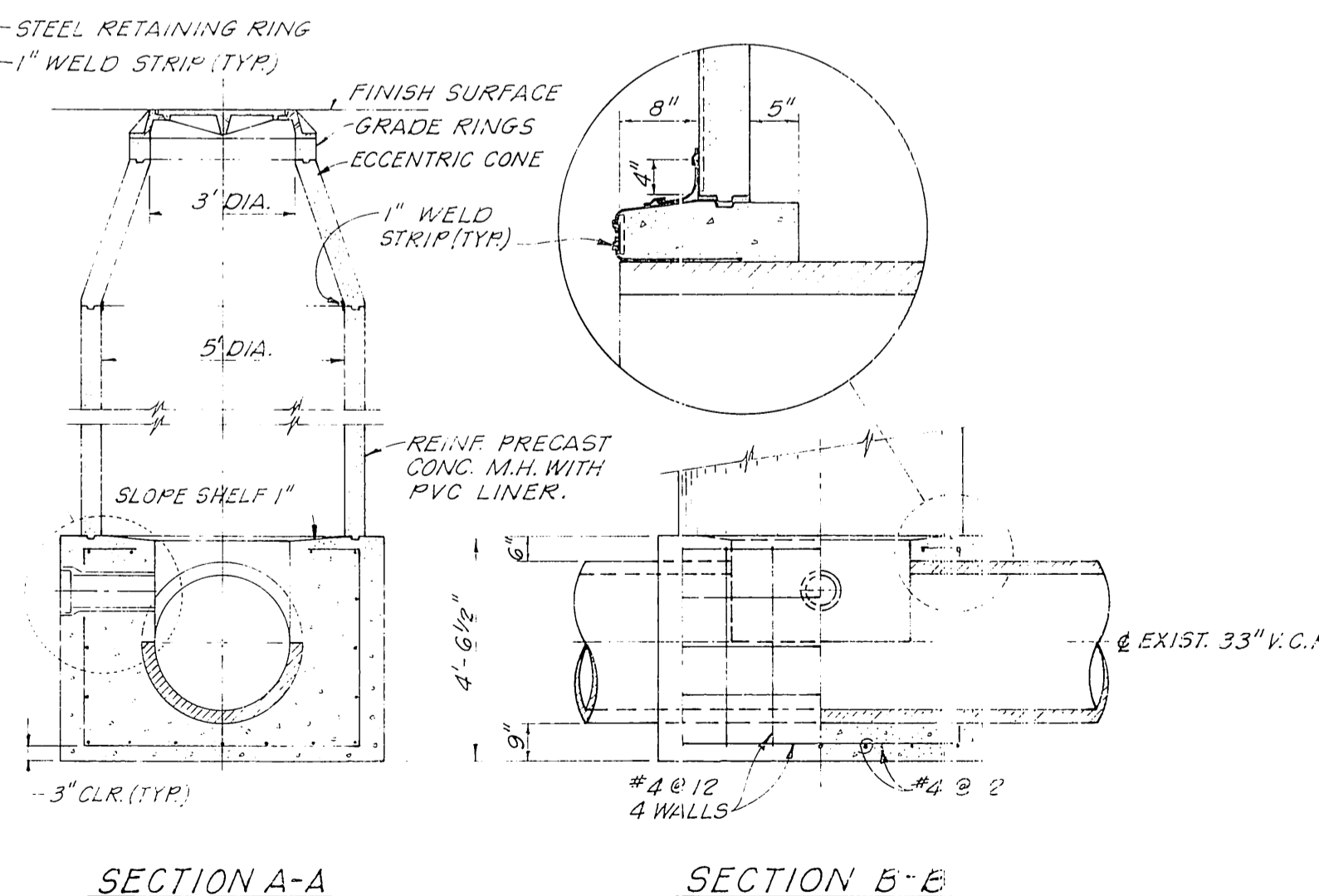


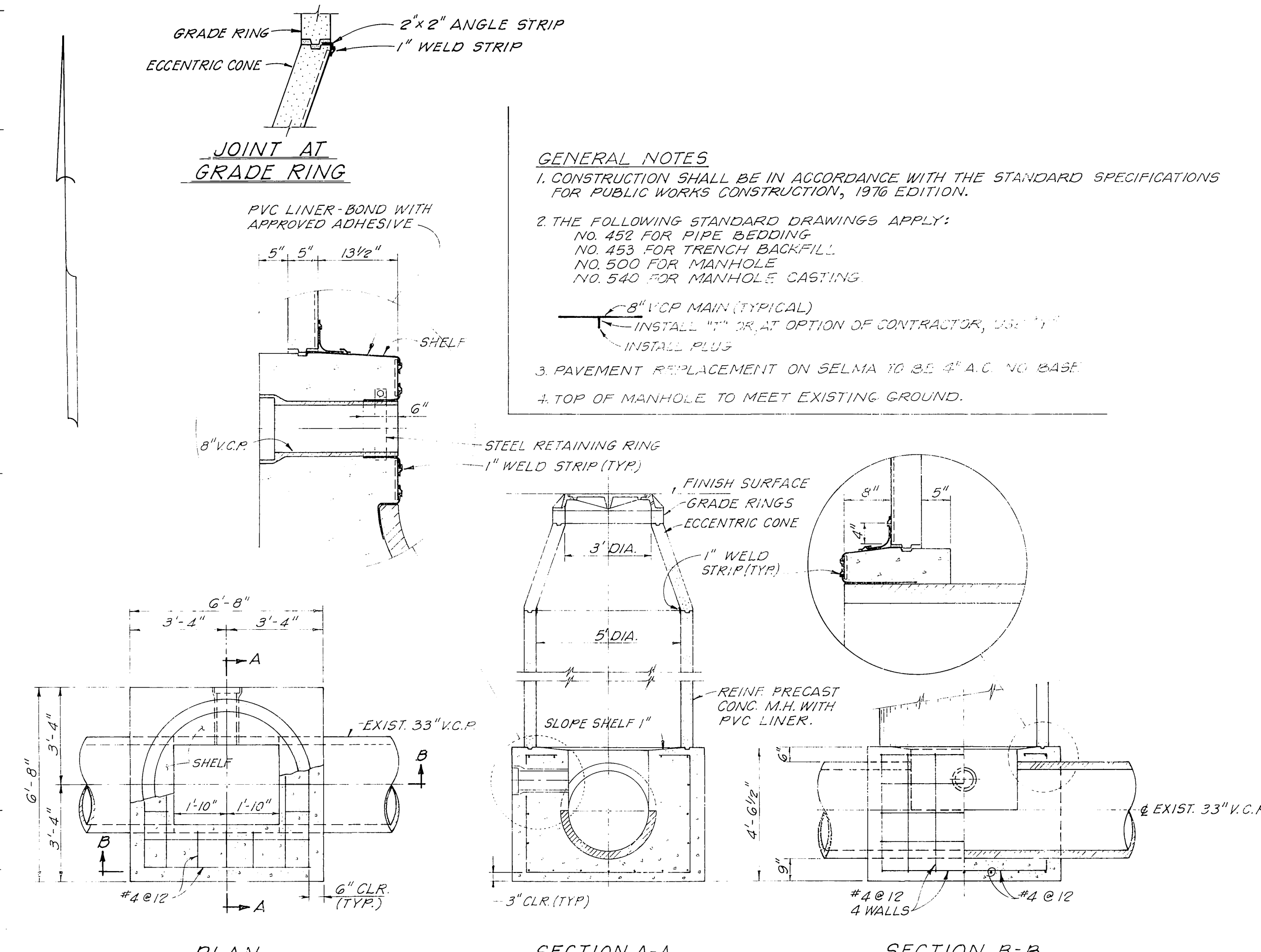
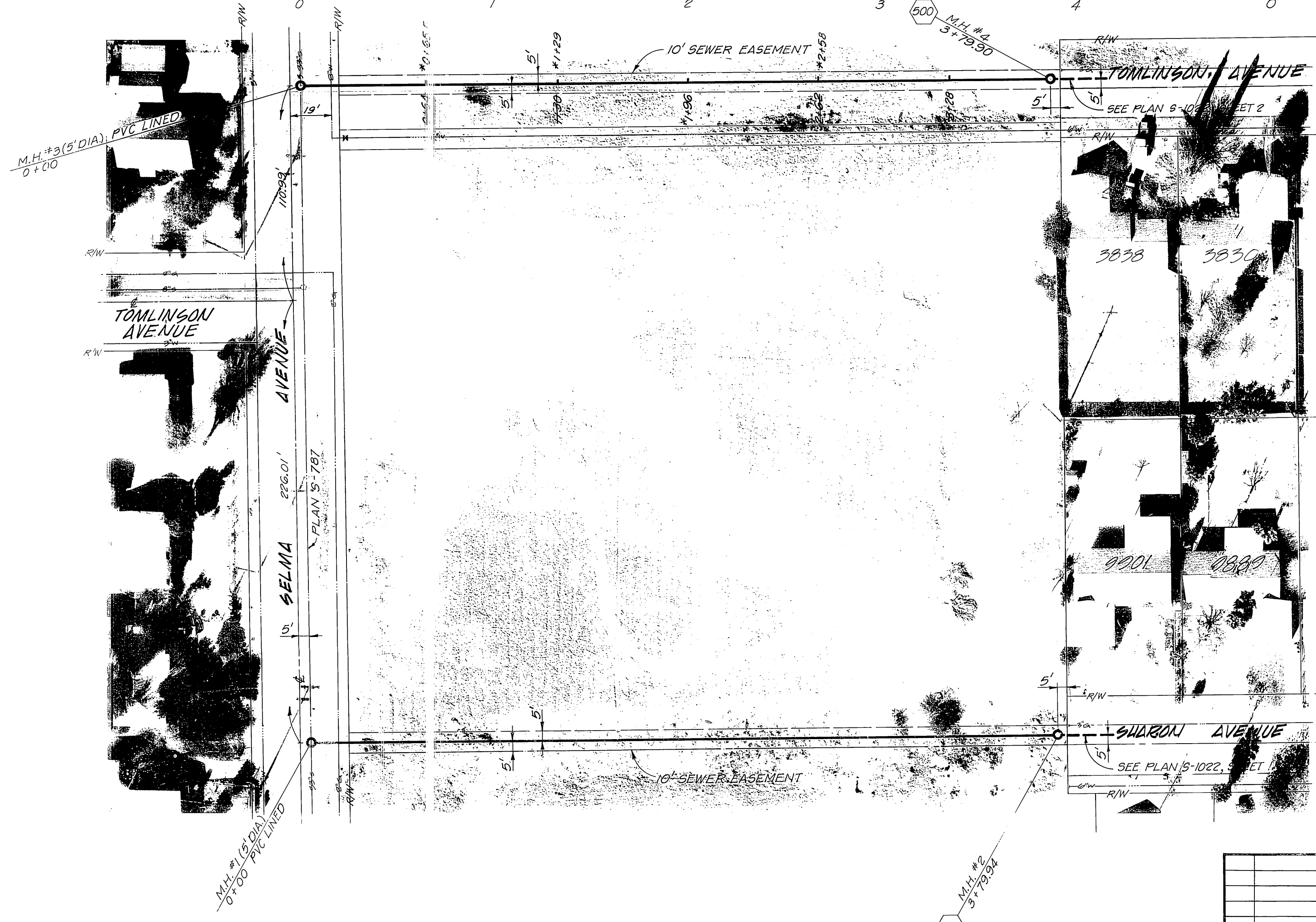
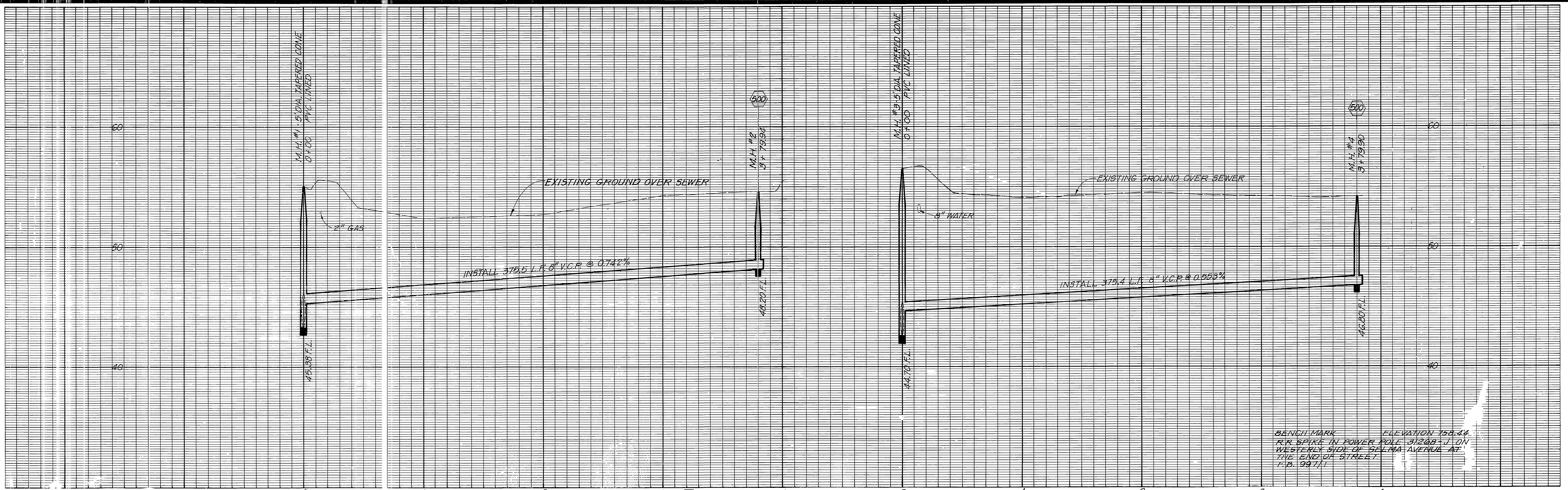
BENCHMARK ELEVATION 758.24  
 R.R. SPIKE IN POWER POLE 31268-J ON  
 WESTERLY SIDE OF SELMA AVENUE AT  
 THE END OF STREET  
 F.B. 997/1



- GENERAL NOTES**
- CONSTRUCTION SHALL BE IN ACCORDANCE WITH THE STANDARD SPECIFICATIONS FOR PUBLIC WORKS CONSTRUCTION, 1976 EDITION.
  - THE FOLLOWING STANDARD DRAWINGS APPLY:  
 NO. 452 FOR PIPE BEDDING  
 NO. 453 FOR TRENCH BACKFILL  
 NO. 500 FOR MANHOLE  
 NO. 540 FOR MANHOLE CASTING.
  - PAVEMENT REPLACEMENT ON SELMA TO BE 4" A.C. NO. 354 SE.
  - TOP OF MANHOLE TO MEET EXISTING GROUND.



CITY OF RIVERSIDE, CALIFORNIA PUBLIC WORKS DEPARTMENT		SHARON-TOMLINSON OFF-SITE SEWER		INDEXED S.T.
APPROVED BY: <i>[Signature]</i> DATE: 9-15-76		APPROVED BY: _____ DATE: _____		ACCOUNT No. 95-977-509
DESIGNED BY: _____ DRAWN BY: KPT. CHECKED BY: _____		DIRECTOR OF PUBLIC WORKS		DRAWING NUMBER <b>S-1023</b>
TRAFFIC DIVISION		SELMA TO SHARON SELMA TO TOMLINSON		SHEET 1 OF 1
HORIZ. SCALE: 1" = 40'		VERT. SCALE: 1" = 4'		



APPROVED BY  
*Walter Hayden*  
 CHIEF UTILITIES ENGINEER, WATER  
 DATE 9-13-76

CITY OF RIVERSIDE, CALIFORNIA PUBLIC WORKS DEPARTMENT	
APPROVED BY PRINCIPAL ENGINEER PARK DEPARTMENT	BY DATE 9/22/76
APPROVED BY DIRECTOR OF PUBLIC WORKS	DATE
DESIGNED BY	DRAWN BY KPT CHECKED BY

INDEXED E.T.  
 ACCOUNT NO. 92-577-907  
 DRAWING NUMBER  
**5-1023**  
 SHEET 1 OF 1

**SHARON-TOMLINSON  
OFF-SITE SEWER**  
 SELMA TO SHARON  
 SELMA TO TOMLINSON  
 HORIZ. SCALE: 1" = 40'  
 VERT. SCALE: 1" = 4'