

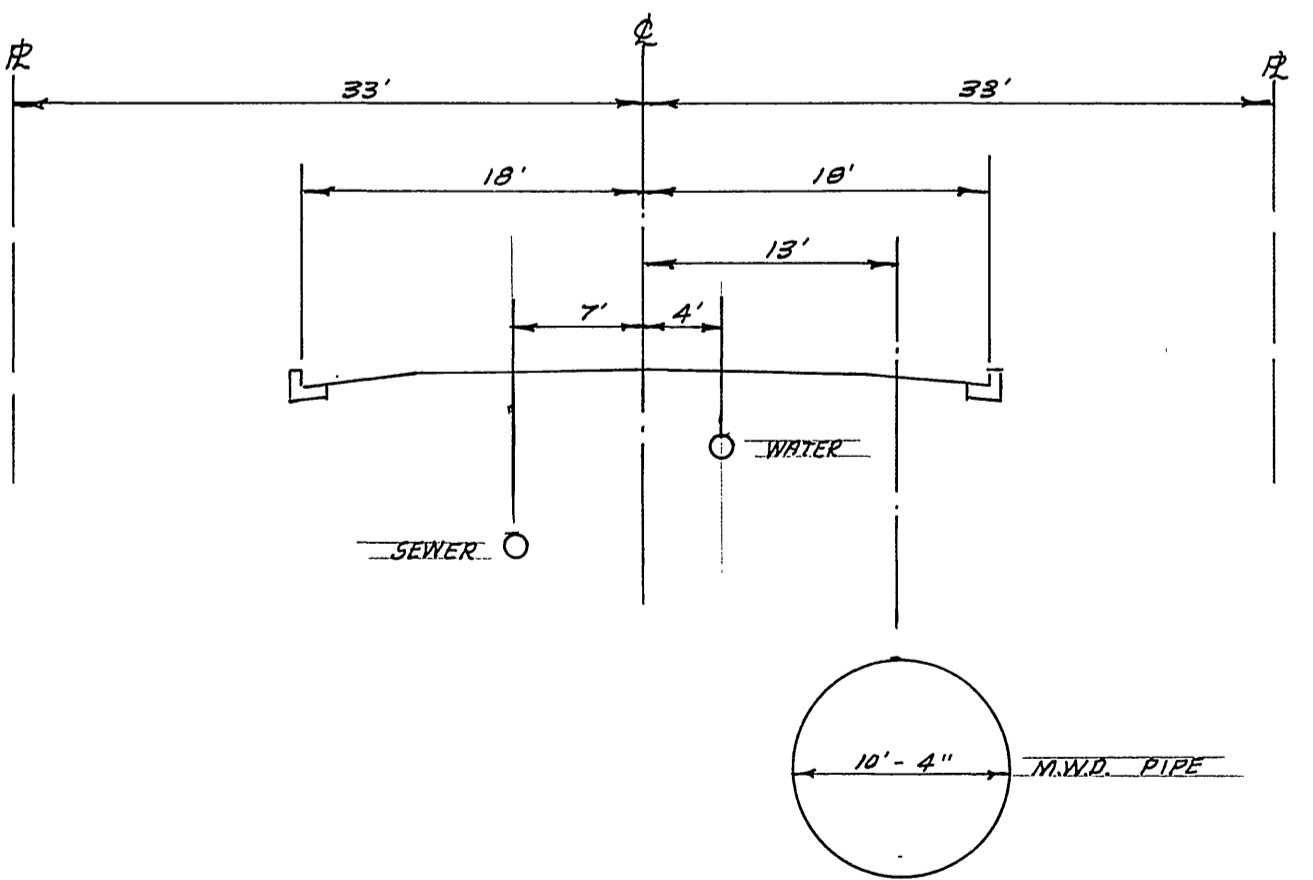
Location Map  
NO SCALE

**General Notes**

1. Construction shall be in accordance with the standard Specifications for Public Works construction, 1973 edition, and City of Riverside standard drawings.
2. It shall be the responsibility of the contractor to clear the right of way in accordance with the provisions of the law as to obstructions and utility including irrigation lines and appurtenances and at no cost to the City.
3. The pipe shall be bedded per case I, standard Drawing No. 452.
4. Location of wyes and laterals to be determined at the time of construction at the direction of the owner.
5. All stubs and laterals to be constructed per standard drawing No. 562. stubs shall be plugged and capped.
6. Manhole frames and covers to be set to finish grade by the sewer contractor after the final paving of streets.
7. Laterals to be 4" V&R and extended to the property line.
8. A plug shall be installed and will remain in place where the new sewer connects to the existing sewer until the new sewer is accepted by the City.
9. Contractor is to verify existing sewer elevation prior to construction.
10. If the Contractor plans to use any equipment over the M.W.D. pipeline which will impose loads greater than AASWD H-20, a list of such equipment must be submitted for Metropolitan's approval.
11. At least 48 hour prior to any work in the vicinity of Metropolitan's facilities call Mr. Thomas Lowl, (951) 626-4202.

**Notice to Contractor**

The existence and location of any underground utility pipes or structures shown on these plans are obtained by a search of the available records. To the best of our knowledge, there are no existing utilities except as shown on these plans.  
The contractor is required to take due precautionary measures to protect the utility lines shown and any other lines not of record or not shown on these plans.



SECTION A-A

**BENCH MARK**

ELEV. 845.599, CITY B.M. F5-H  
24' N&W CORNER OF 11' WIDE CO.  
CANAL, BEHIND WALL ON W. SIDE  
OF MONROE ST., 9/6 P.B. 839/33.

\*AS BUILT 8-76 HET

APPROVED  
*Wesley A. Allen* 1-27-76  
CHIEF UTILITIES ENGINEER, WATER  
DATE

ALBERT A. WEBB ASSOCIATES  
CIVIL ENGINEERS  
RIVERSIDE, CALIFORNIA  
APPROVED BY *Carl N. Wold* DATE 12/1/75  
R.E. No. 9876  
W.O. 75-232 FOR: Brattain Const. Co. F.B. 1027

MARK	REVISIONS	APPR.	DATE

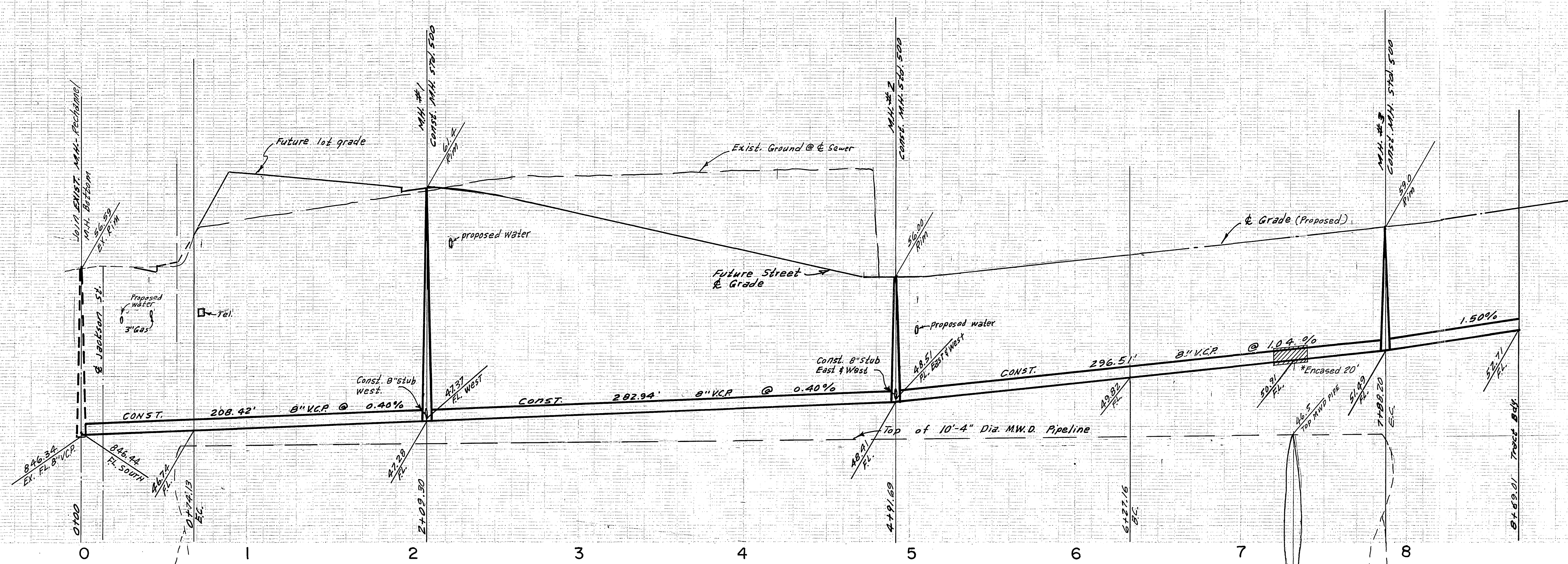
CITY OF RIVERSIDE, CALIFORNIA  
PUBLIC WORKS DEPARTMENT  
APPROVED BY *William D. Hansen*  
PRINCIPAL ENGINEER  
PARK DEPARTMENT  
TRAFFIC DIVISION  
CHIEF PUB. WKS. ENGR.  
DATE 2/27/76

TRACT NO. 5486-1  
SEWER PLAN AND PROFILE  
INDEX  
SCALE: AS SHOWN

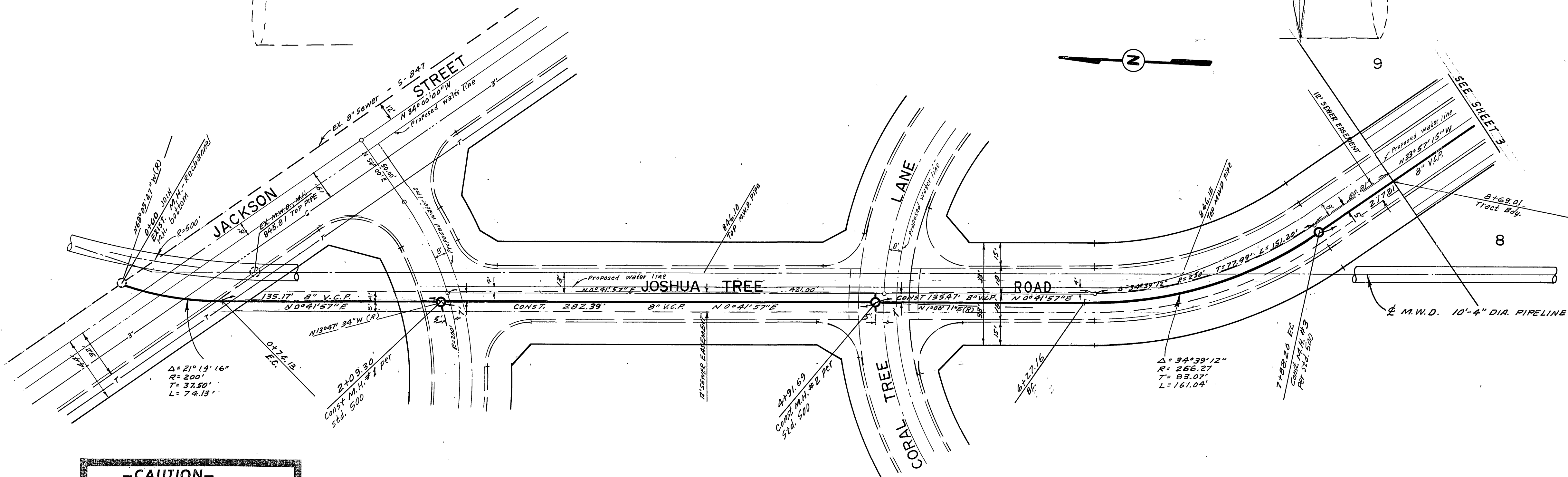
ACCOUNT No.  
DRAWING NUMBER  
5-1024  
SHEET 1 OF 4  
75-232-B

860  
850  
840

860  
850



**BENCH MARK**  
Elev. 845.599, City B.M. FB-H  
PK nail and top in Riv. W.P. Co.  
canal head wall on W. side  
of Monroe St., P.A. 839/33.



**-CAUTION-**  
**PACIFIC TELEPHONE**  
**CABLES UNDERGROUND**  
BEFORE EXCAVATING  
CALL COLLECT:  
After Hours  
7:30 A.M. to 5 P.M.  
& Holidays  
Orange County 714-633-0811 714-547-6606  
Riverside County 714-684-0071 714-547-6606  
Inyo County 714-684-0071 714-547-6606  
San Bernardino County 714-684-0071 714-547-6606  
Los Angeles County 213-621-3111  
Ventura County 213-621-3111  
San Diego County 714-298-0595 714-232-0027  
FOR FREE CABLE LOCATING SERVICE

APPROVED  
*[Signature]*  
CHIEF UTILITIES ENGINEER, WATER  
DATE 1-27-76

ALBERT A. WEBB ASSOCIATES  
CIVIL ENGINEERS  
RIVERSIDE, CALIFORNIA  
APPROVED BY *[Signature]* DATE 10/1/75  
R.E. No. 2076  
W.O. 75-232 FOR: Brattain Const. Co. F.B. 1/27

MARK	REVISIONS	APPR. DATE

CITY OF RIVERSIDE, CALIFORNIA  
PUBLIC WORKS DEPARTMENT  
APPROVED BY *[Signature]* BY DATE *[Signature]* 2/27  
PRINCIPAL ENGINEER  
PARK DEPARTMENT  
TRAFFIC DIVISION  
CHIEF PUB. WKS. ENGR.

TRACT NO. 5486-1  
SEWER PLAN AND PROFILE  
JOSHUA TREE ROAD  
DATE 2/27/76

ACCOUNT No.  
DRAWING NUMBER  
S-1024  
SHEET 2 OF 4  
75-232-B

\*AS BUILT 8-76 KPT

SCALE: 1" = 40' Horiz. - 1" = 4' Vert.

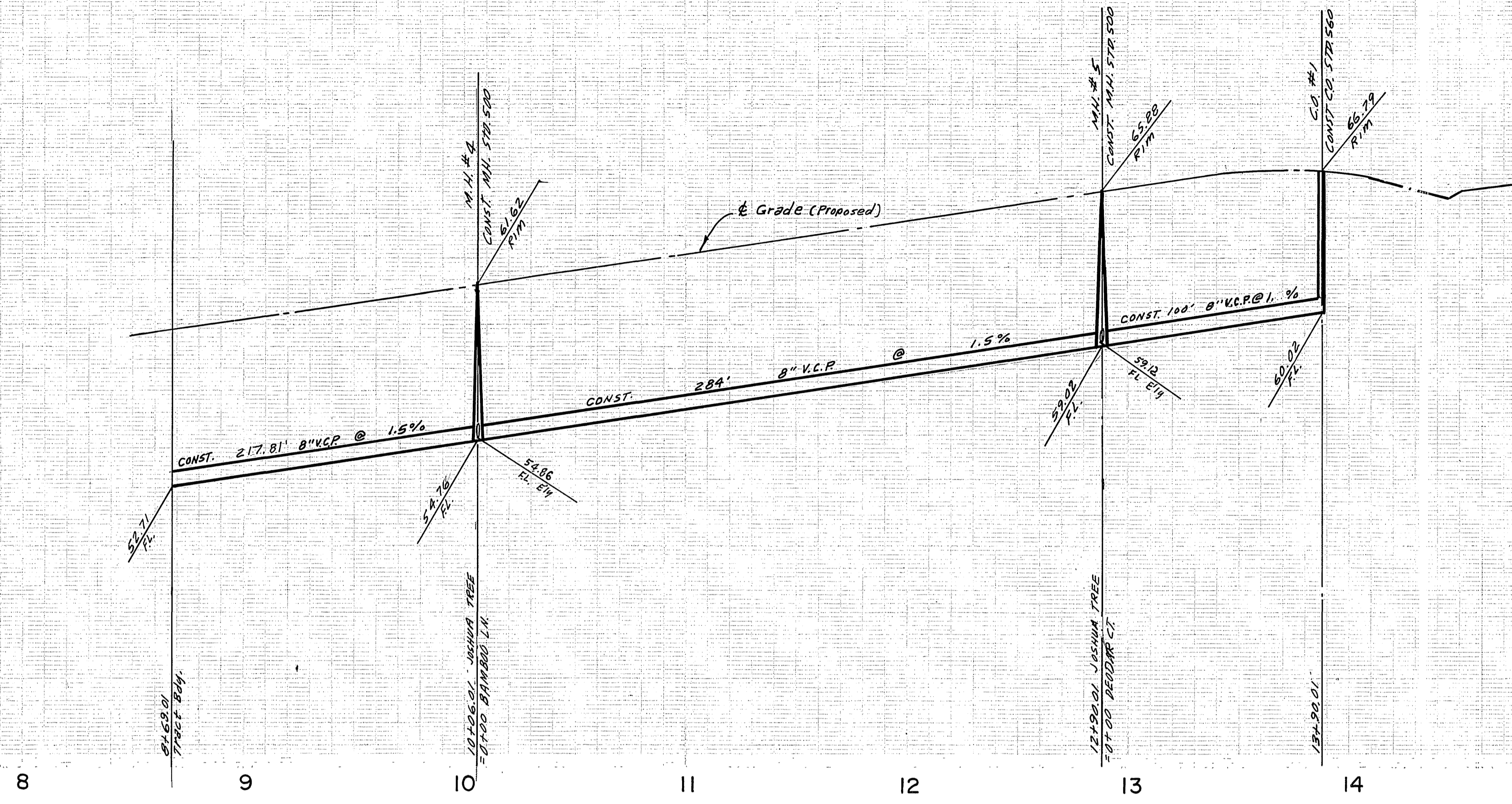
860

850

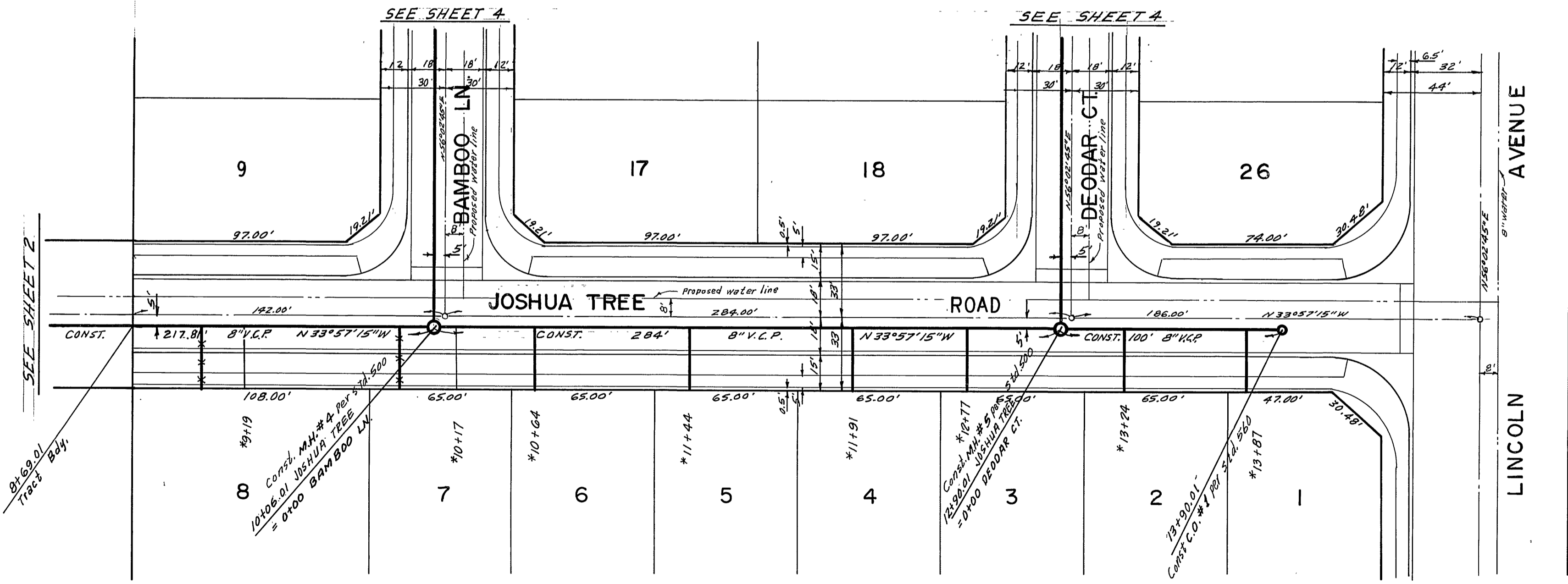
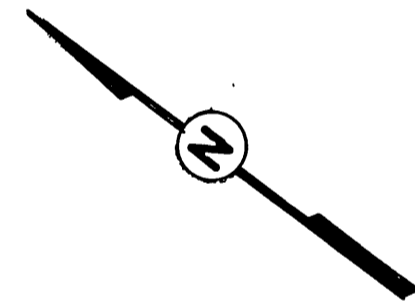
870

860

850



**BENCH MARK**  
 ELEV. 845.593, CITY B.M. FB-H  
 PK. Nail and Top of RV W.P. CO.  
 canal Road high on W. Side  
 of Monroe St., S/R H.B. 859/33.



\*AS BUILT 8-76 KET

APPROVED  
*[Signature]*  
 CHIEF UTILITIES ENGINEER, WATER  
 DATE 1-27-76

ALBERT A. WEBB ASSOCIATES  
 CIVIL ENGINEERS  
 RIVERSIDE, CALIFORNIA  
 APPROVED BY *[Signature]* DATE 12/1/75  
 R.E. No. 9876

MARK REVISIONS APPR. DATE  
 DESIGNED BY DRAWN BY BEL CHECKED BY BDM

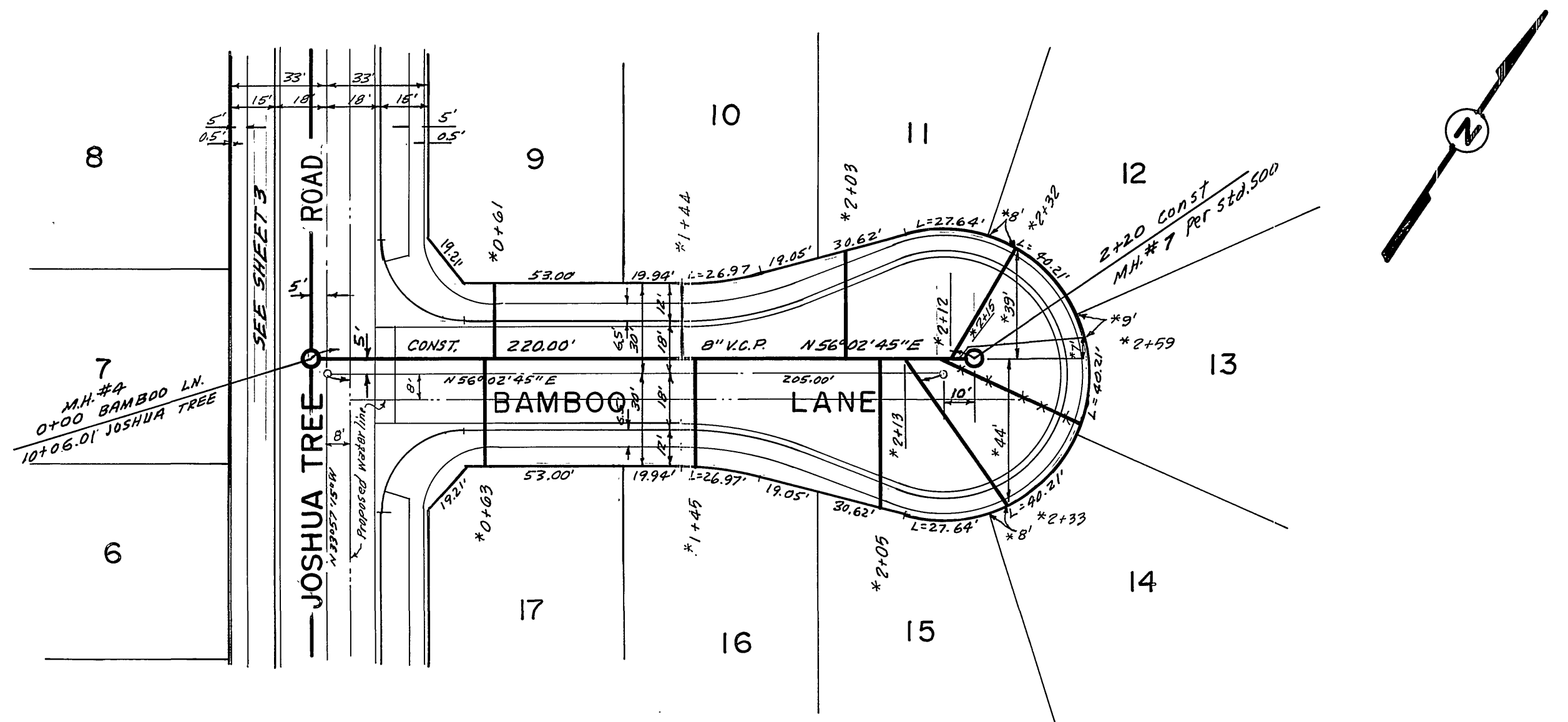
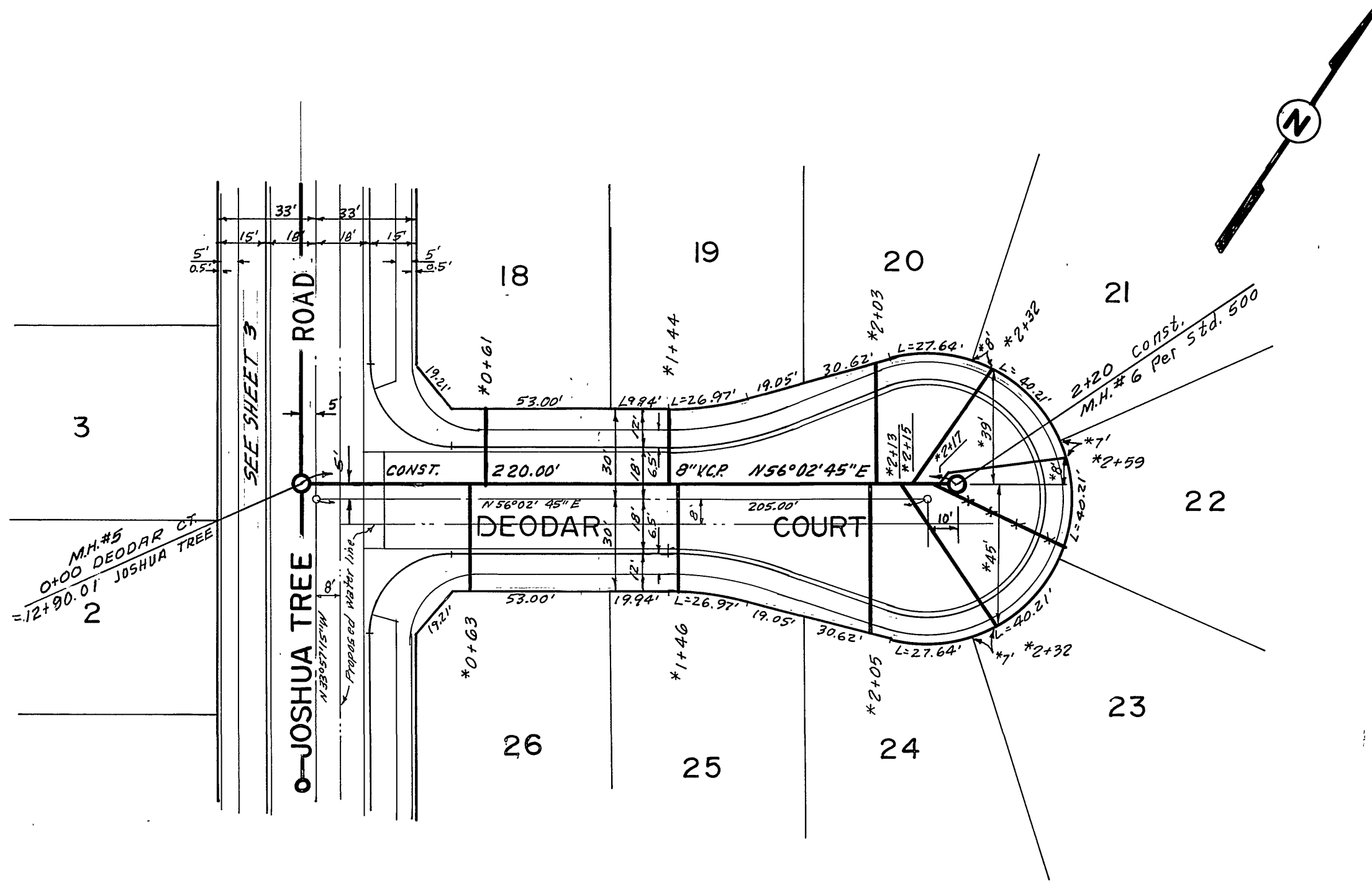
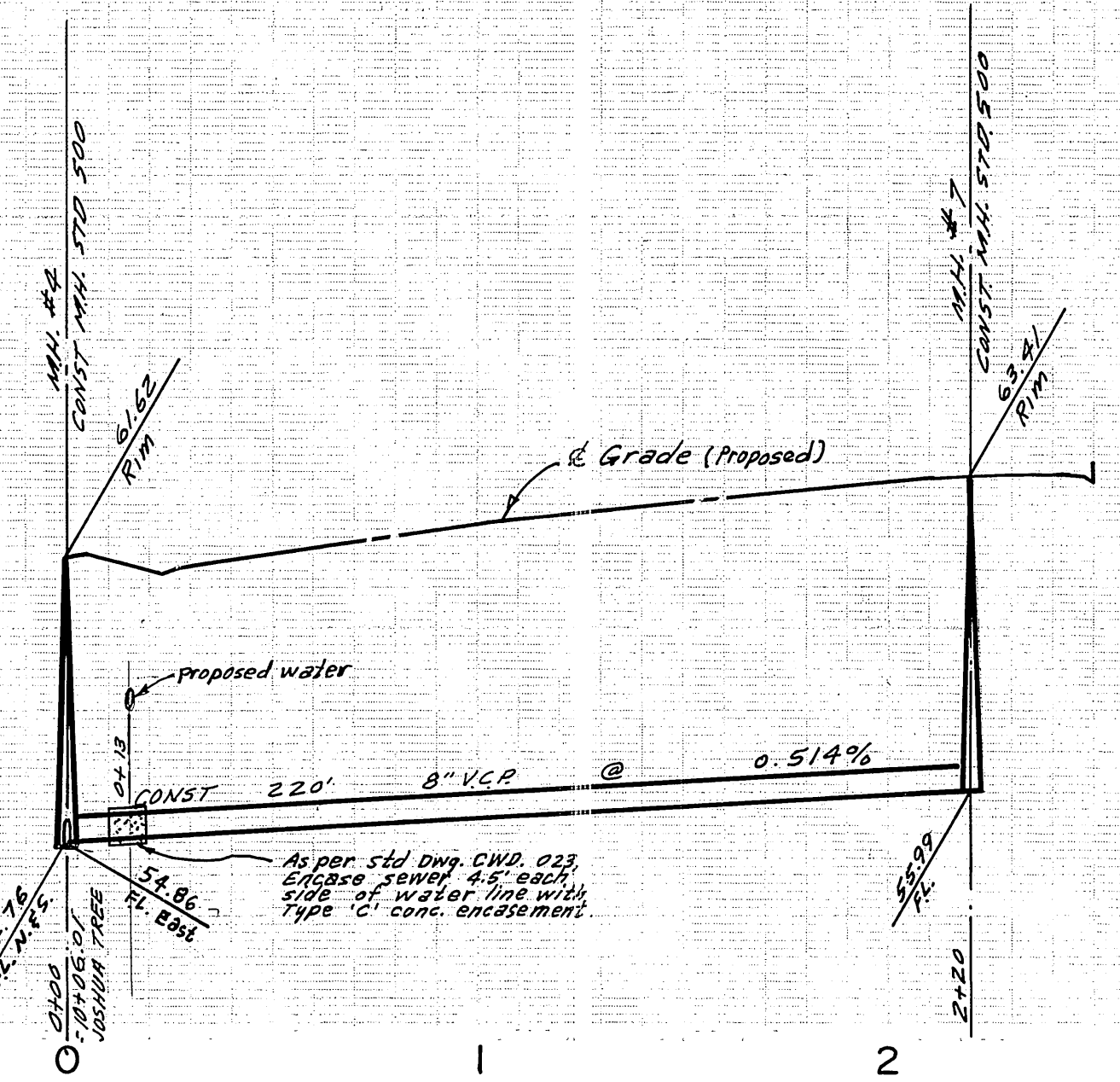
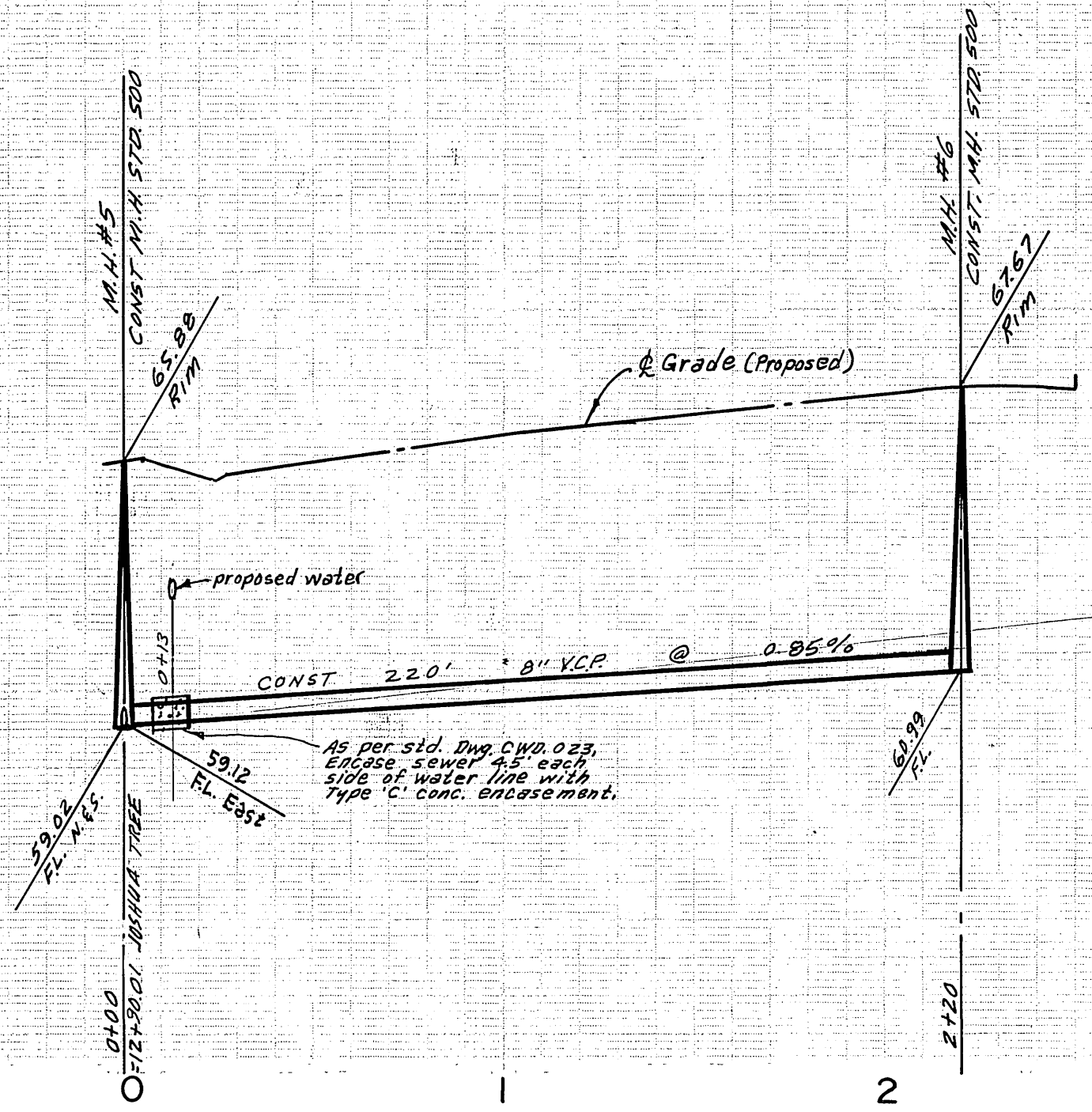
CITY OF RIVERSIDE, CALIFORNIA  
 PUBLIC WORKS DEPARTMENT  
 APPROVED BY *[Signature]* DATE 2/27/76  
 DIRECTOR OF PUBLIC WORKS

TRACT NO. 5486-1  
 SEWER PLAN AND PROFILE  
 JOSHUA TREE ROAD  
 SCALE: 1" = 40' Horiz., 1" = 4' Vert.

ACCOUNT No.  
 DRAWING NUMBER  
 S-1024  
 SHEET 3 OF 4  
 75-232-B

870

860



**BENCH MARK**  
 Elev. 845.599, City B.M.F.S.H.  
 Pl. 1701 and Top in Riv. Wdr. Co.  
 canal head wall on N.W. side  
 of Monroe St., 1/2 S.B. 839/33.

\*AS BUILT 8-76 KET

APPROVED  
*[Signature]*  
 CHIEF UTILITIES ENGINEER - WATER  
 DATE 1-27-76

ALBERT A. WEBB ASSOCIATES  
 CIVIL ENGINEERS  
 RIVERSIDE, CALIFORNIA  
 APPROVED BY *[Signature]* DATE 10/1/75  
 R.E. No. 9076  
 W.O. 75-232 FOR: Brattain Const. Co. F.B. 1027

MARK REVISIONS APPR. DATE  
 DESIGNED BY: DRAWN BY: BEL CHECKED BY: ADM

CITY OF RIVERSIDE, CALIFORNIA  
 PUBLIC WORKS DEPARTMENT  
 APPROVED BY: *[Signature]* DATE: 2/27/76  
 PRINCIPAL ENGINEER  
 PARK DEPARTMENT  
 TRAFFIC DIVISION  
 CHIEF PUB. WKS. ENGR.

TRACT NO. 5486-1  
 SEWER PLAN AND PROFILE  
 DEODAR COURT  
 BAMBOO LANE  
 SCALE: 1" = 40' Horiz. 1" = 4' Vert.

ACCOUNT No.  
 DRAWING NUMBER  
 5-1024  
 SHEET 4 OF 4  
 75-232-B