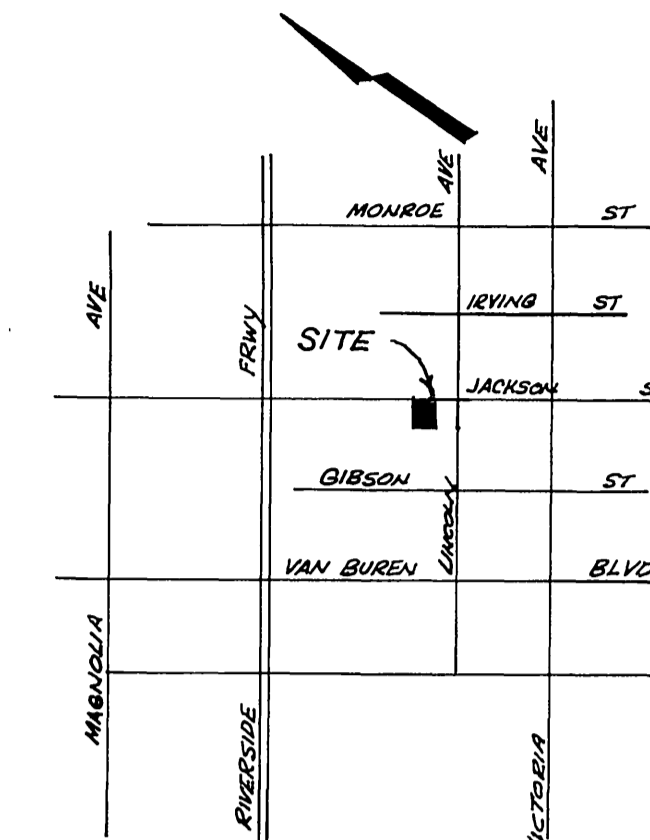


INDEX MAP
SCALE 1"=60'



LOCATION MAP
NO SCALE

GENERAL NOTES

- Construction shall be in accordance with the standard specifications for Public Works construction, 1976 Edition, and City of Riverside Standard drawings.
- It shall be the responsibility of the contractor to clear the right of way in accordance with the provisions of the law as it affects each utility including irrigation lines and appurtenances and at no cost to the City.
- The pipe shall be bedded per case 1, standard Drawing No. 452.
- Location of wyes and laterals to be determined at the time of construction at the direction of the owner.
- All stubs and laterals to be constructed per standard drawing No. 522. Stubs shall be plugged and capped.
- Manhole frames and covers to be set to finish grade by the sewer contractor after the final paving of streets.
- Laterals to be 4" VCP and extended to the property line.
- A plug shall be installed and will remain in place where the new sewer connects to the existing sewer until the new sewer is accepted by the City.
- Contractor is to verify existing sewer elevation prior to construction.
- If the contractor plans to use any equipment over the M.W.D. pipeline which will impose loads greater than 40,000 lbs., a list of such equipment must be submitted for Metropolitan's approval.
- At least 24 hours prior to any work in the vicinity of Metropolitan's facilities call Mr. Thomas Levi, (913) 626-4282.

NOTICE TO CONTRACTOR

The existence and location of any underground utility pipes or structures shown on these plans are obtained by a search of the available records. To the best of our knowledge, there are no existing utilities except as shown on these plans.
The contractor is required to take due precautionary measures to protect the utility lines shown and any other lines not of record or not shown on these plans.

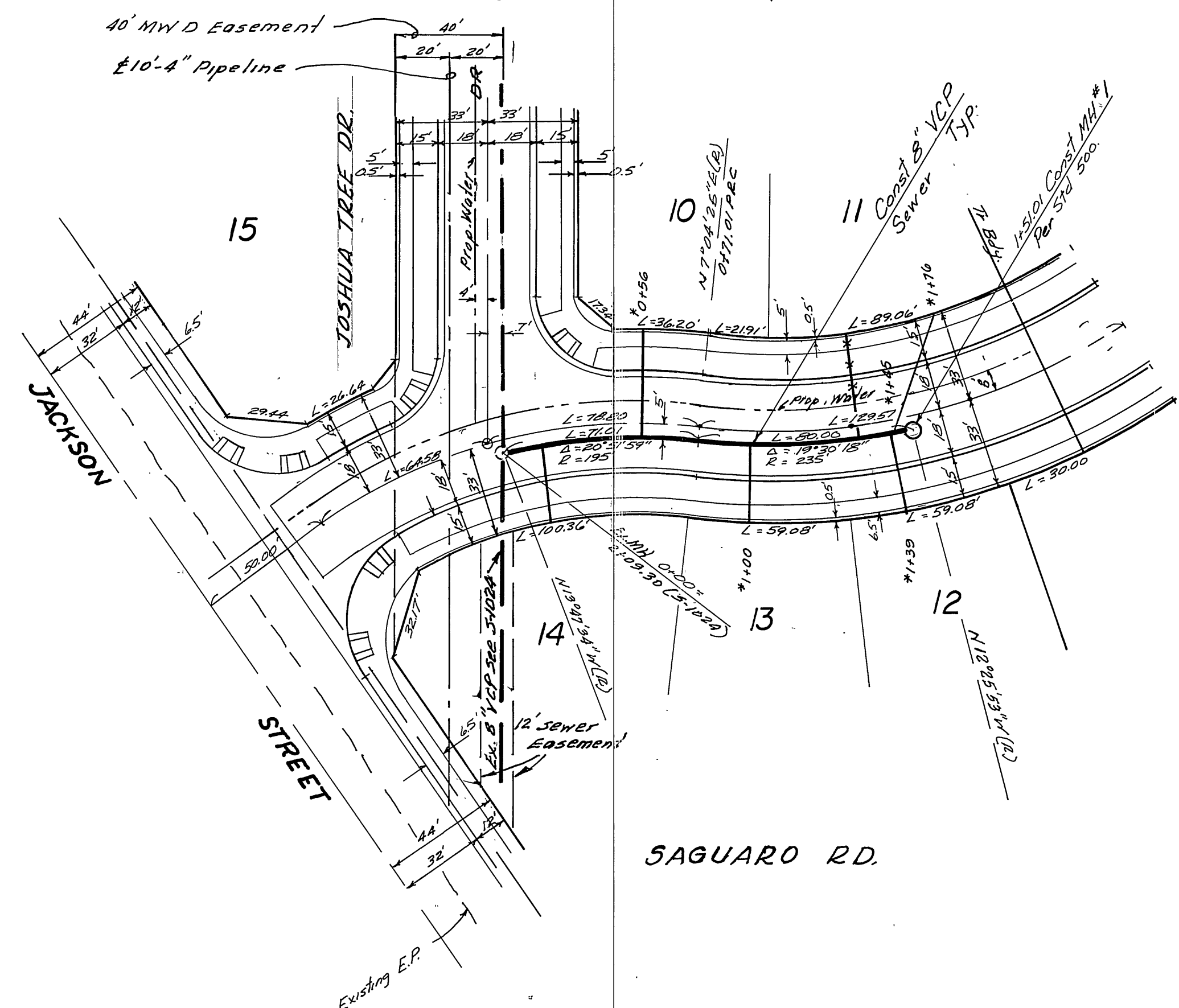
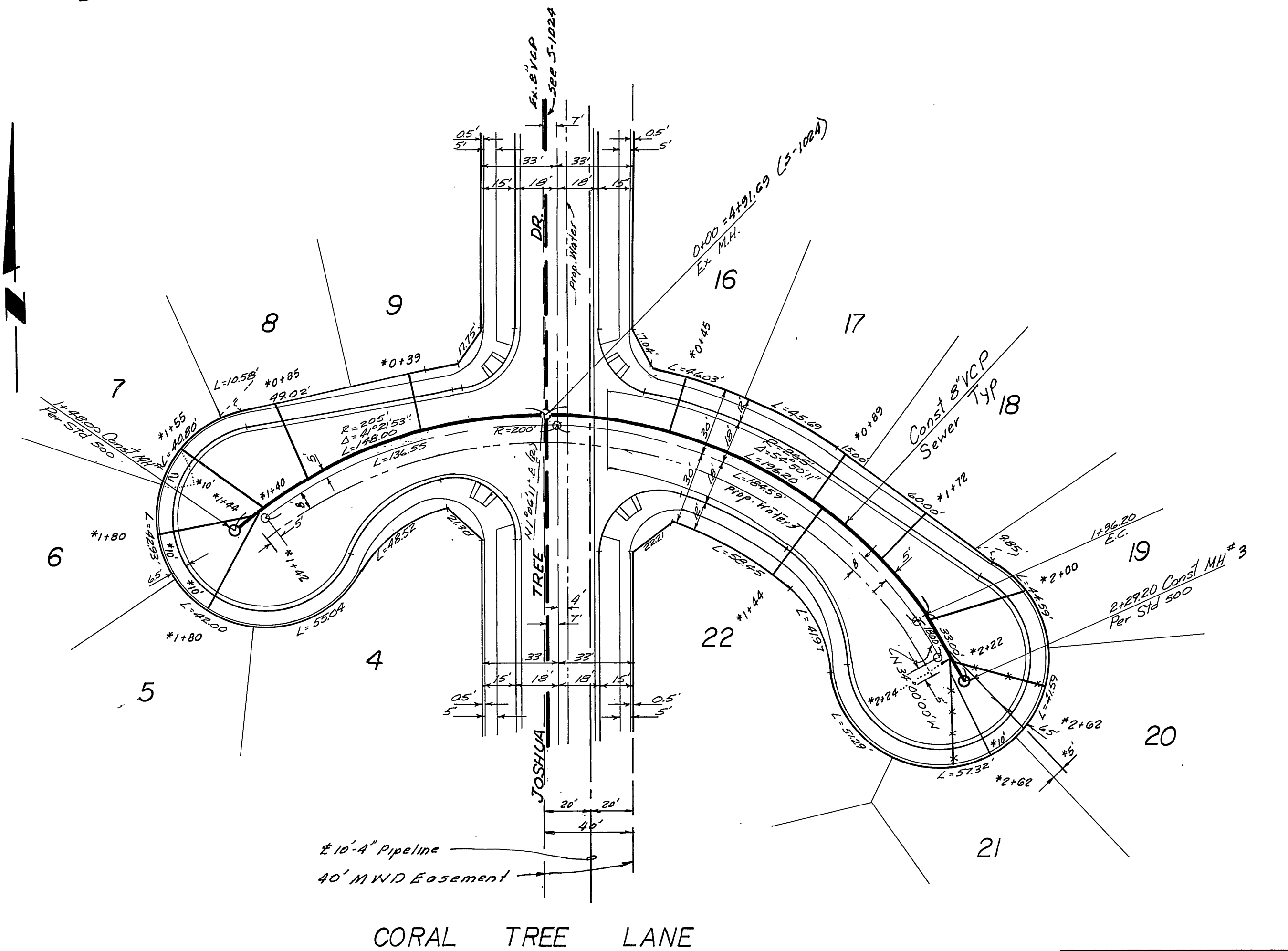
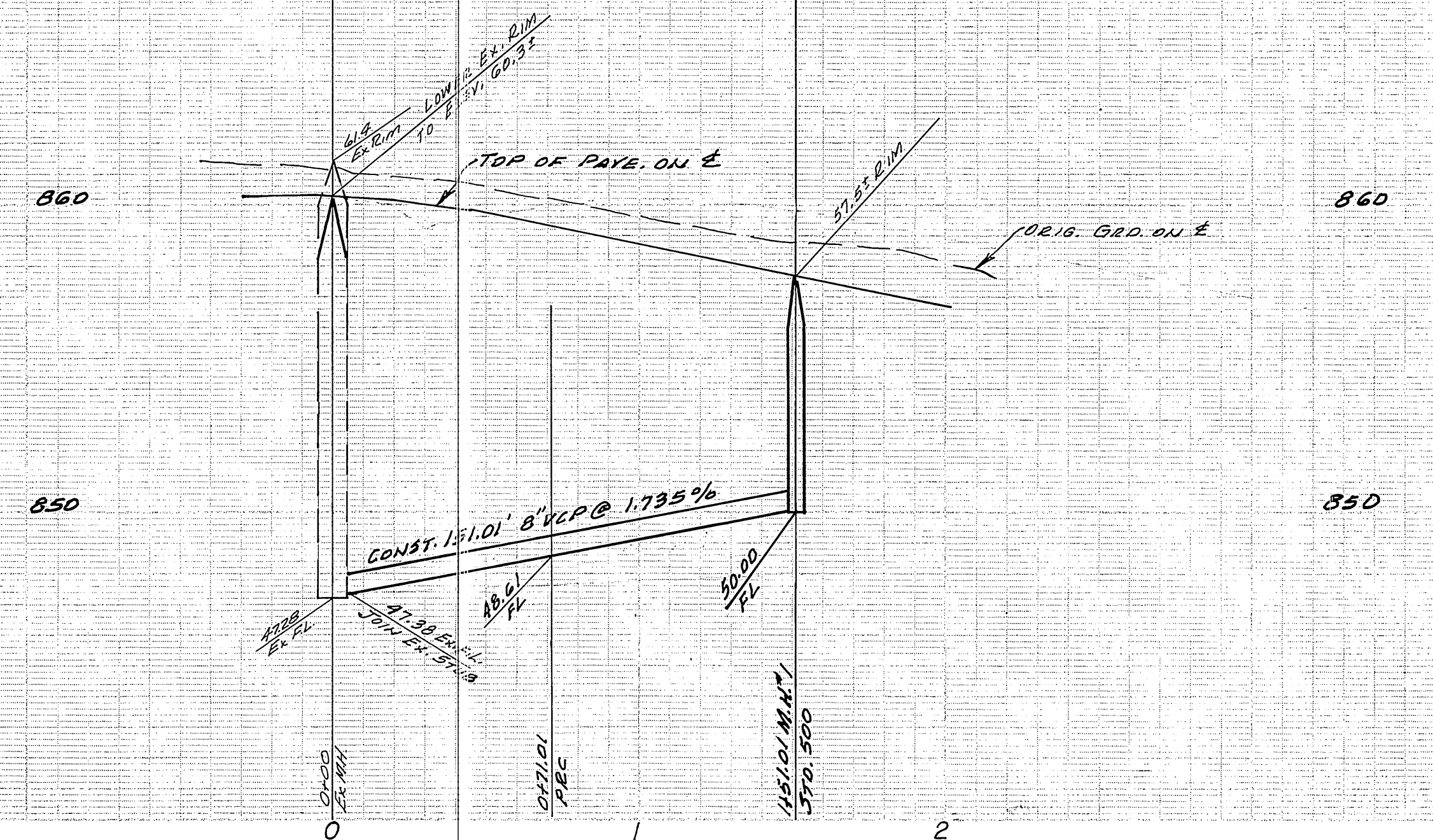
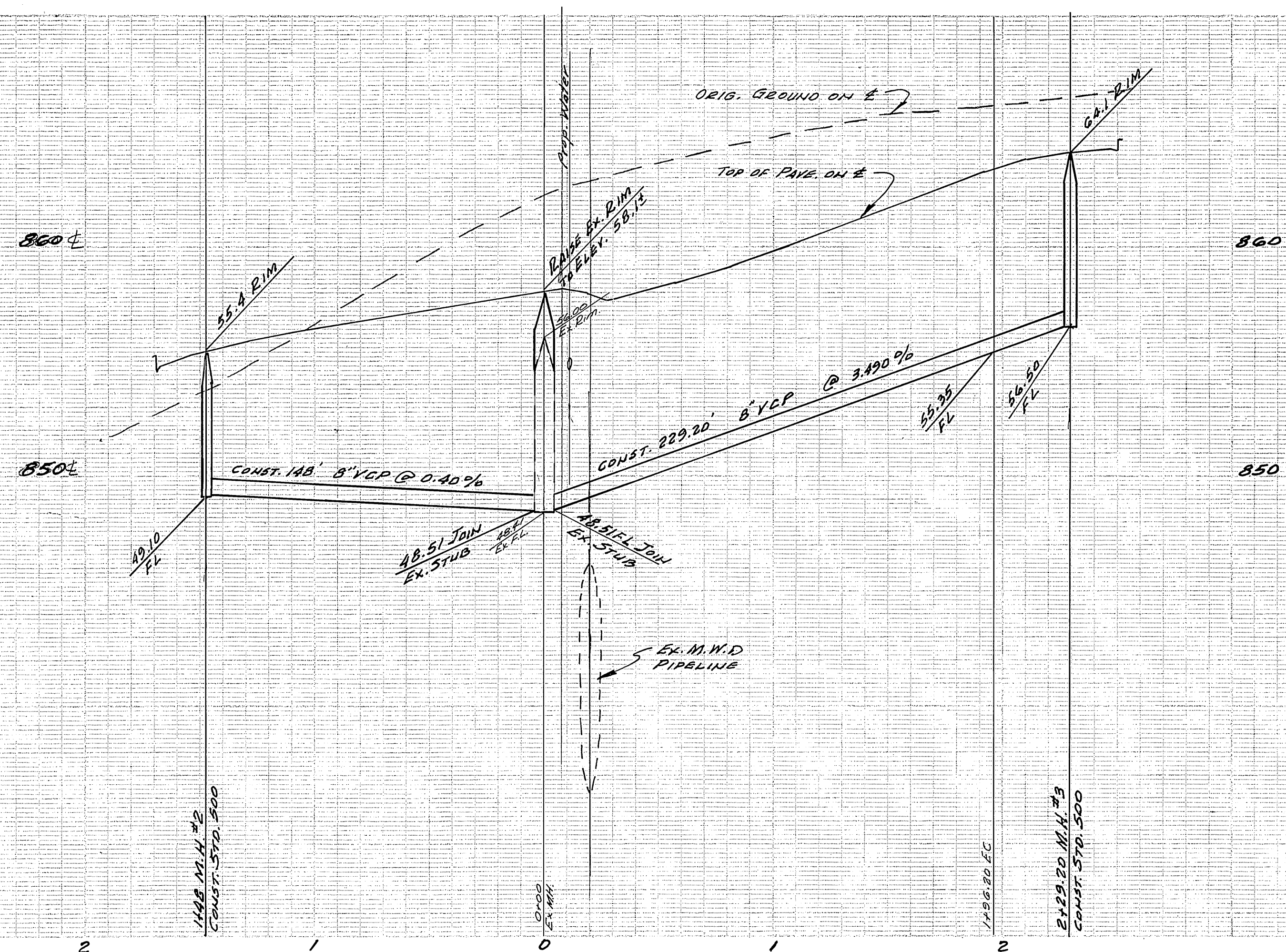
BENCH MARK
Elev 845.89, City B.M. F5-H
PK. 101 and 102 in Riv. W.P. Co.
C&G, Head Wall on W.P. 5106
of Monroe St. CR 12 839/83

ALBERT A. WEBB ASSOCIATES
CIVIL ENGINEERS
RIVERSIDE, CALIFORNIA
APPROVED BY: *Carl N. Webb* DATE 5-22-76
R.E. No. 2876

W.C. 76-90 FOR BRATTAIN CONST CO F.B. 1021

APPROVED BY <i>Wesley Johnson</i> Chief Utilities Engineer - Water 6-28-76 Date		*AS BUILT 3-77 MFT	
CITY OF RIVERSIDE, CALIFORNIA PUBLIC WORKS DEPARTMENT		ACCOUNT NO.	
APPROVED BY PRINCIPAL ENGINEER PARK DEPARTMENT TRAFFIC DIVISION CHIEF PUB. WKS. ENGR.	BY <i>William D. Henderson</i> DATE 11/2/76	DRAWING NUMBER S-1053	
INDEX SHEET		SHEET 1 OF 2	
DATE 11/2/76		SCALE AS SHOWN	
DESIGNED BY REC		DRAWN BY L.R.M. CHECKED BY BDM	

INDEXED	ACCOUNT NO.
DRAWING NUMBER	S-1053
SHEET 1 OF 2	76-90-B



BENCH MARK
 Elev 845.590, City B.M. FS-4
 P.K. 741 and 742 in R.R. W.P. Co.
 1891, 1892 and 1893 on W. side
 of Monroe St. S.F. 18 889.53.

ALBERT A. WEBB ASSOCIATES
 CIVIL ENGINEERS
 RIVERSIDE, CALIFORNIA
 APPROVED BY: *[Signature]* DATE: 6-22-76
 R.E. No. 2376

MARK	REVISIONS	APPR.	DATE

Approved By: *[Signature]* DATE: 6-28-76
 Chief of City Engineer - Water
 APPROVED BY: *[Signature]* DATE: 6-28-76
 PRINCIPAL ENGINEER
 PARK DEPARTMENT
 TRAFFIC DIVISION
 CHIEF PUB. WKS. ENGR.

CITY OF RIVERSIDE, CALIFORNIA
PUBLIC WORKS DEPARTMENT
SEWER PLAN PROFILE
 TRACT NO 5486-2
 CORAL TREE LANE
 SAGUARDO ROAD
 SCALE: HORIZ 1"=40' VERT 1"=4'

ACCOUNT No.
 DRAWING NUMBER
S-1053
 SHEET 2 OF 2
 76-90-B

W.O. 76-90 FOR BRATTAIN CONST CO F.B. 1027

DESIGNED BY: REC. DRAWN BY: LRM. CHECKED BY: 20M.

DATE: 11/3/76

SCALE: HORIZ 1"=40' VERT 1"=4'

76-90-B