

L. FREDERICK PACK-CIVIL ENGR.  
 R.E. NO. 7448  
 COVINA, CALIFORNIA  
 APPROVED BY *[Signature]* DATE 12-3-57

CITY OF RIVERSIDE, CALIFORNIA  
 DEPARTMENT OF PUBLIC WORKS

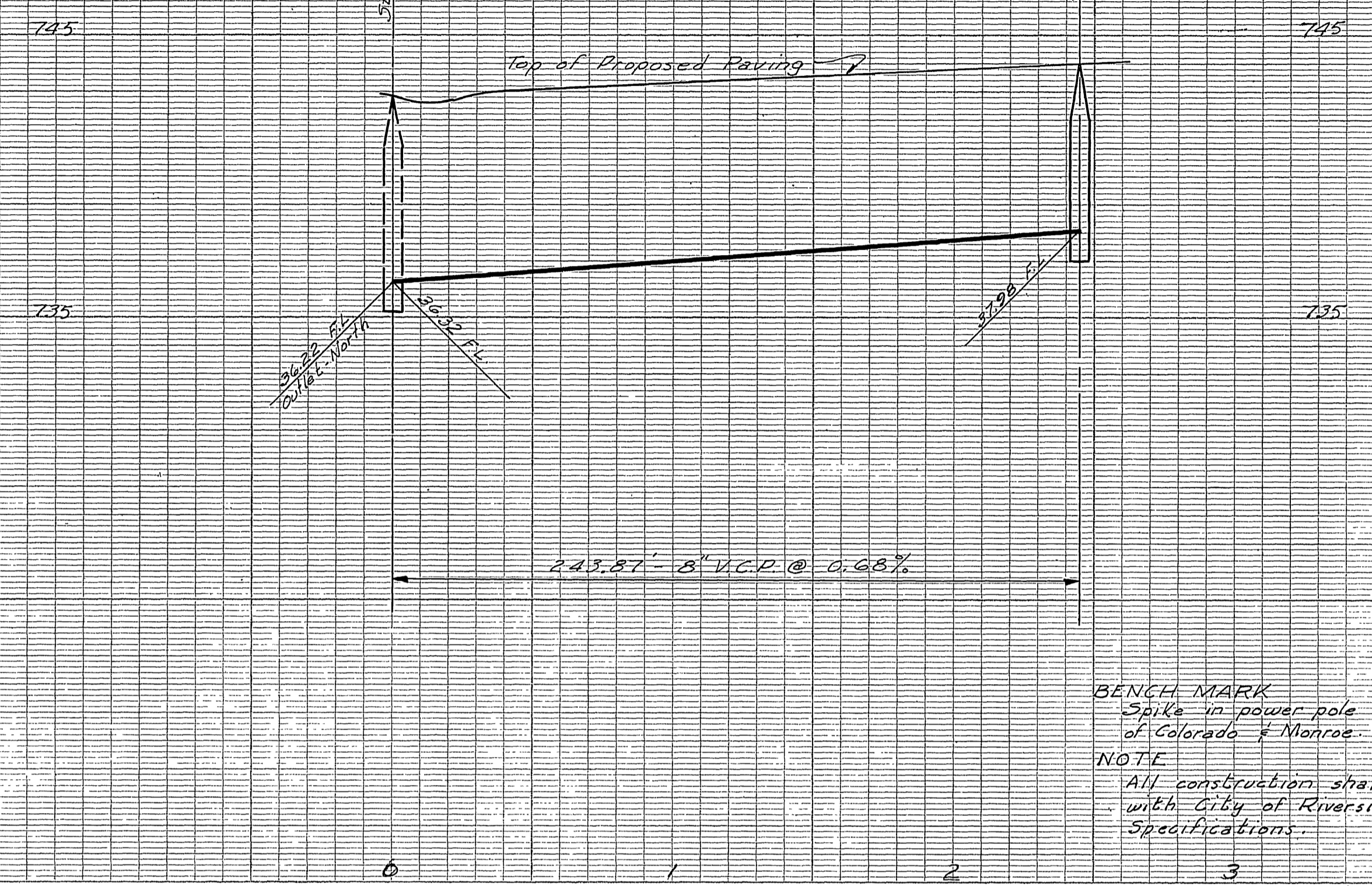
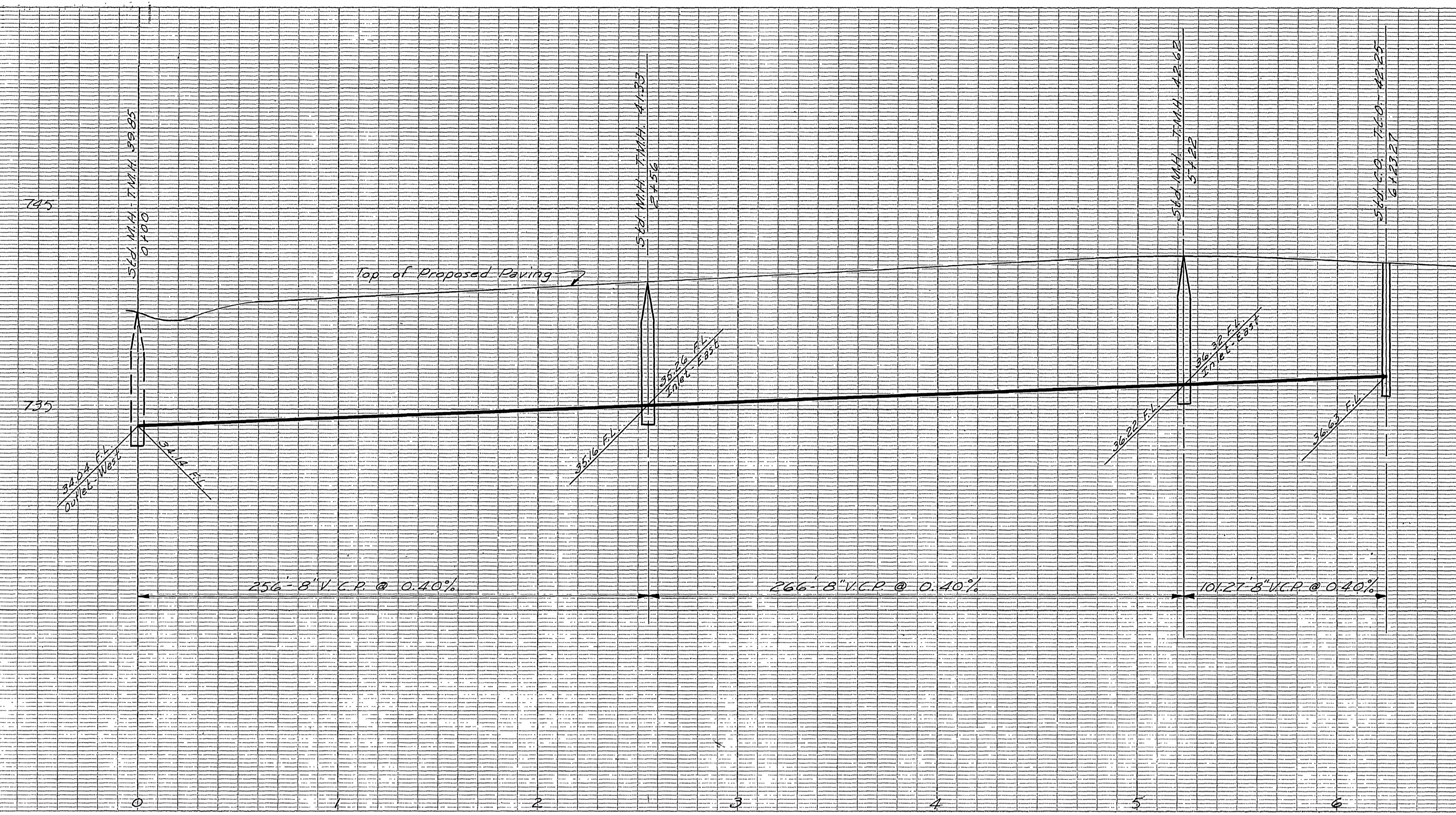
SEWER PLAN & PROFILE  
 BROCKTON HEIGHTS NO. 9  
 DRIFTWOOD DRIVE & POPPY LANE

HORIZ. SCALE 1"=40' VERT. SCALE 1"=4'

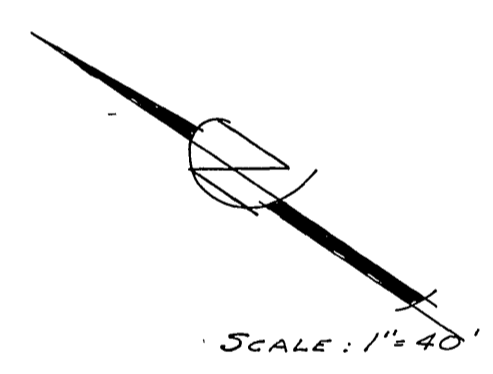
APPROVED BY *[Signature]* NO. 5-110  
 Director of Public Works

J.B. DATE 11/14/58 SHEET 1 OF 4

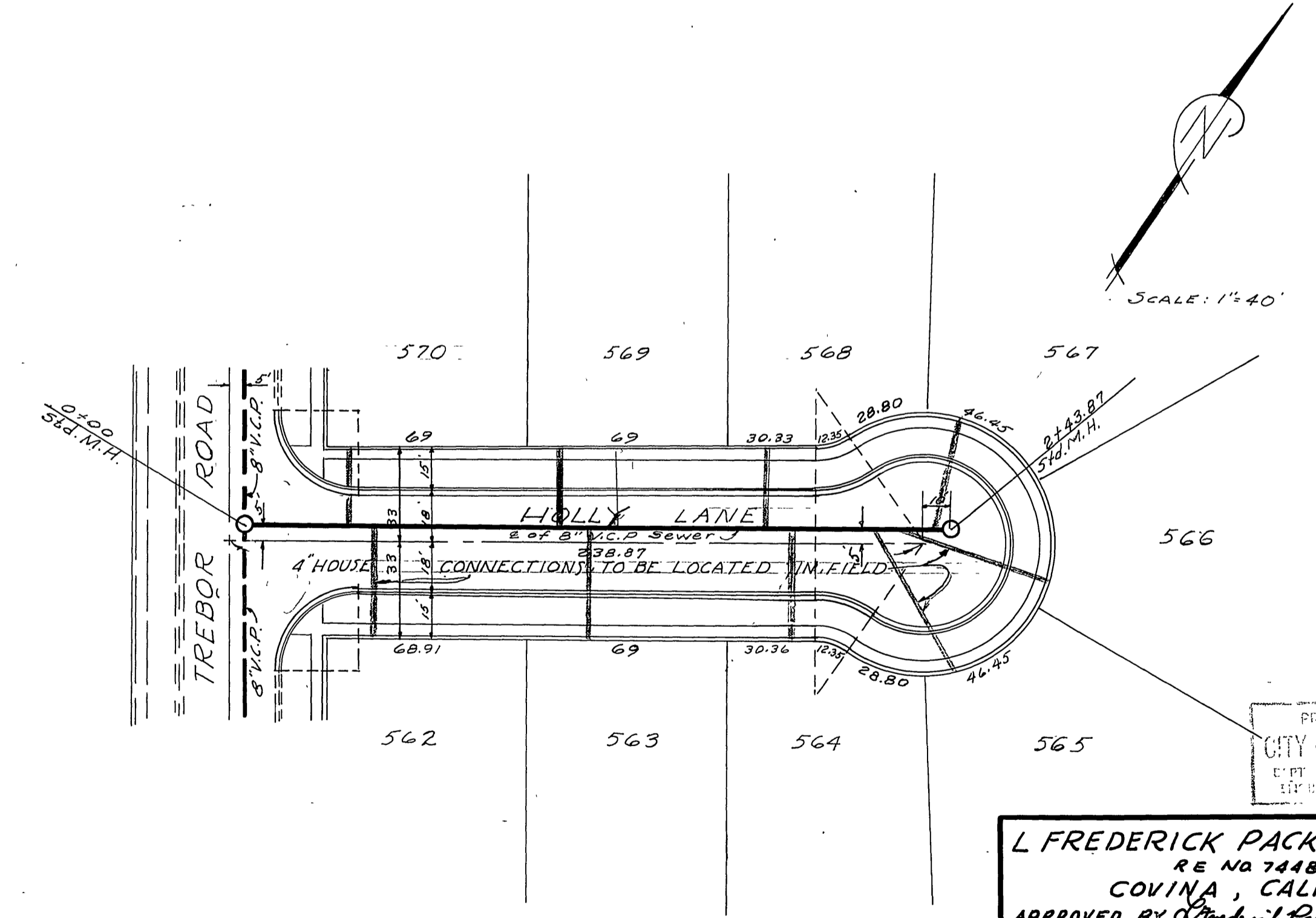
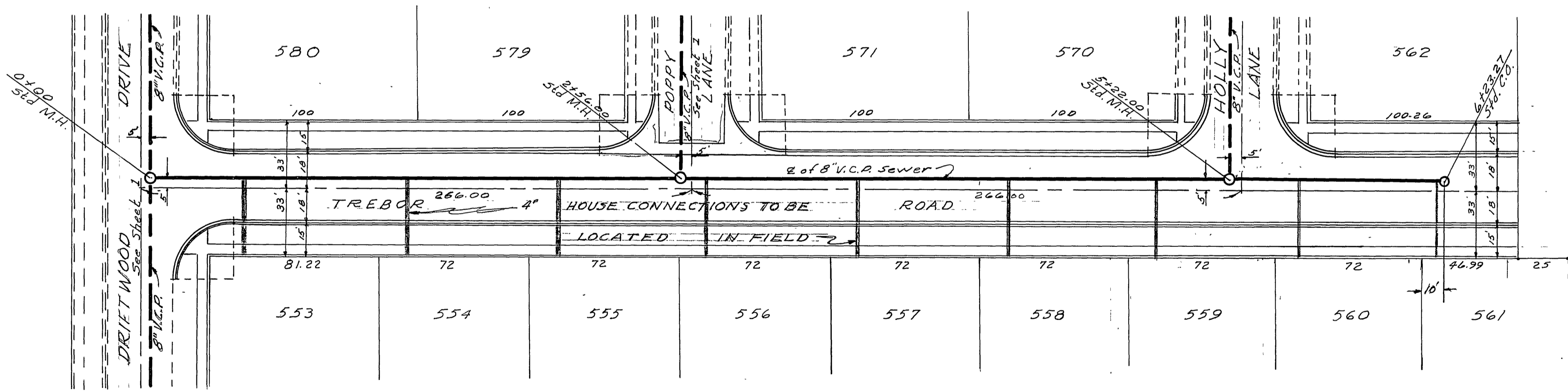
SCALE  
 Horizontal 1" = 40'  
 Vertical 1" = 4'



BENCH MARK  
 Spike in power pole No. 38611 at intersection  
 of Colorado & Monroe. Elev. 754.46  
 NOTE  
 All construction shall be in accordance  
 with City of Riverside Standards and  
 Specifications.



SCALE: 1" = 40'



SCALE: 1" = 40'

L. FREDERICK PACK-CIVIL ENGR.  
 RE No 7448  
 COVINA, CALIFORNIA  
 APPROVED BY *[Signature]* DATE 12-3-57

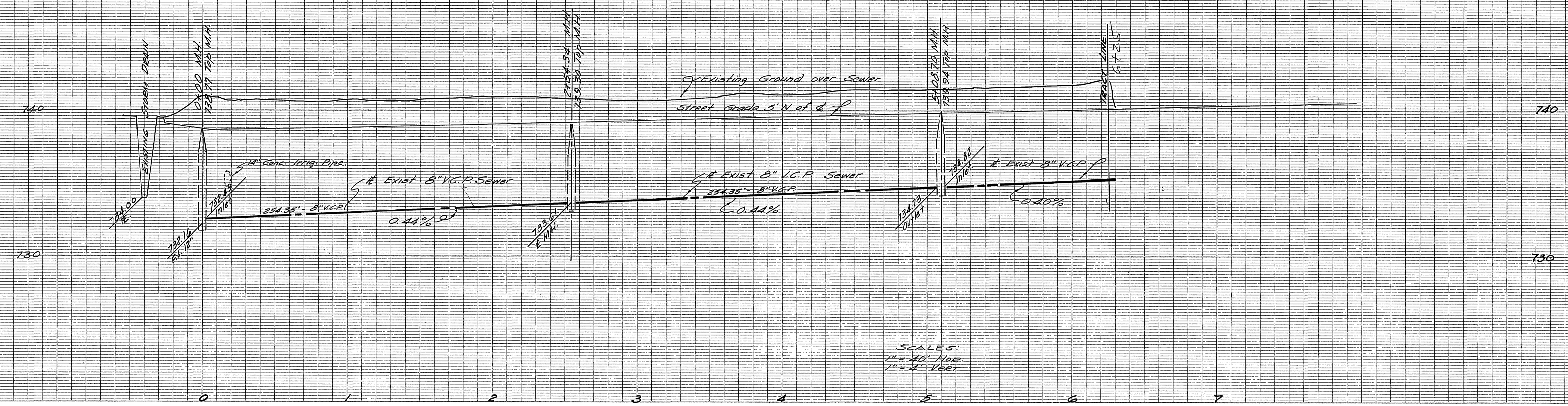
CITY OF RIVERSIDE, CALIFORNIA  
 DEPARTMENT OF PUBLIC WORKS

SEWER PLAN & PROFILE  
 BROCKTON HEIGHTS NO. 9  
 TREBOR ROAD & HOLLY LANE

HORIZ. SCALE 1" = 40' VERT. SCALE 1" = 4'

APPROVED BY *[Signature]* NO. 5-110  
 Director of Public Works

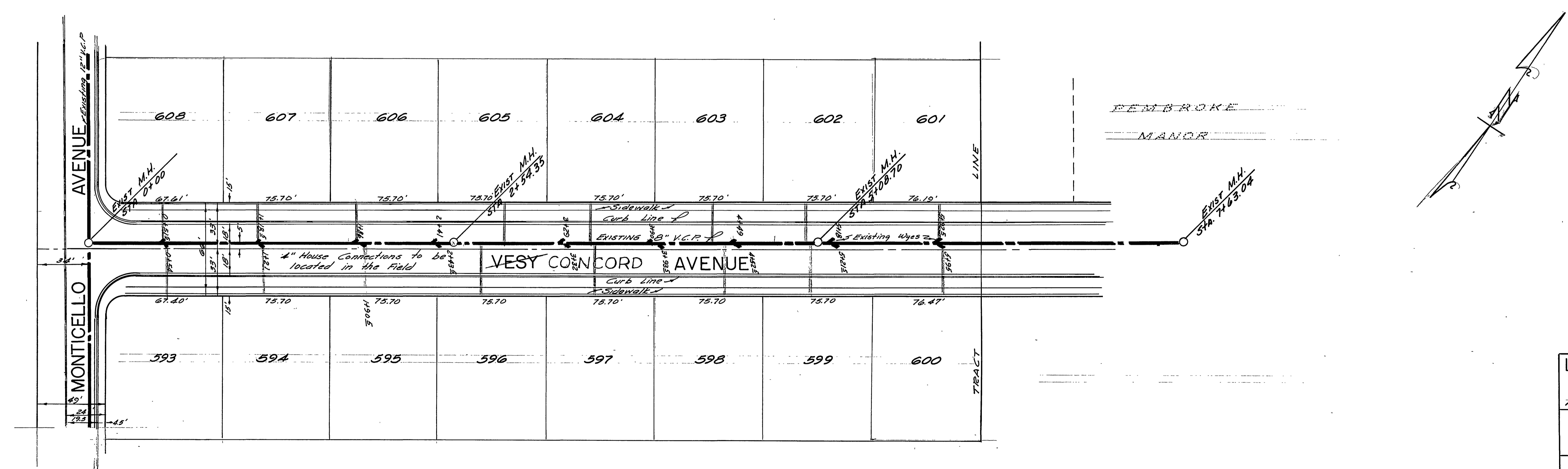
DATE 11/1/58 SHEET 2 OF 4



BENCH MARK:  
Spike in power pole No. 3861  
at intersection of Colorado &  
Manroe Elev. 754.46'

NOTE:  
All construction shall be in  
accordance with City of Riverside  
Standards and Specifications.

SCALES:  
1" = 40' HOR.  
1" = 4' VERT.



L.FREDERICK PACK R.E.  
R.E. 7448  
COVINA, CALIFORNIA  
APPROVED BY *L.F. Pack* DATE 1-2-58

CITY OF RIVERSIDE  
DEPT. OF PUBLIC WORKS  
SEWER PLAN & PROFILE  
CONCORD  
VESTY AVENUE  
IN  
BROCKTON HEIGHTS # 9  
HORIZ. SCALE 1" = 40' VERT. SCALE 1" = 4'

APPROVED BY:  
*Somerville*  
DIRECTOR OF PUBLIC WORKS  
DATE: 1-16-58

No. 5-110  
SHEET 3 OF 4

