

GENERAL NOTES

1. Construction shall be in accordance with Standard Specifications for Public Works Construction, 1976 Edition, and City of Riverside Standard Drawings.
2. It shall be the responsibility of the Contractor to clear the right of way in accordance with the provisions of law as it affects such utility including irrigation lines and appurtenances and at no cost to the city.
3. Pipe shall be bedded per Case 1, standard Drawing No. 452, unless otherwise specified on plans.
4. Location of Wyes and Laterals to be determined of the direction of the owner.
5. All stubs and Laterals to be constructed in accordance with standard Drawing No. 562, stubs to be plugged and capped, unless otherwise specified on plans.
6. The Sewer Contractor shall adjust Manholes to final grade after paving is completed.
7. Laterals are to be 4" and extended to property line.
8. Prior to construction of sewer, Contractor is to expose existing sewer and Contact the Engineer for verification of existing location and elevation.
9. A plug shall be installed and will remain in place where the new sewer connects with the existing sewer until the new sewer is accepted by the City.
10. The private Engineer signing these plans is responsible for assuring the accuracy and acceptability of the work hereon. In the event of discrepancies arising during const. as a result of errors or omissions, the private Engineer shall be responsible for determining an acceptable solution and revising the plans for approval by the City.

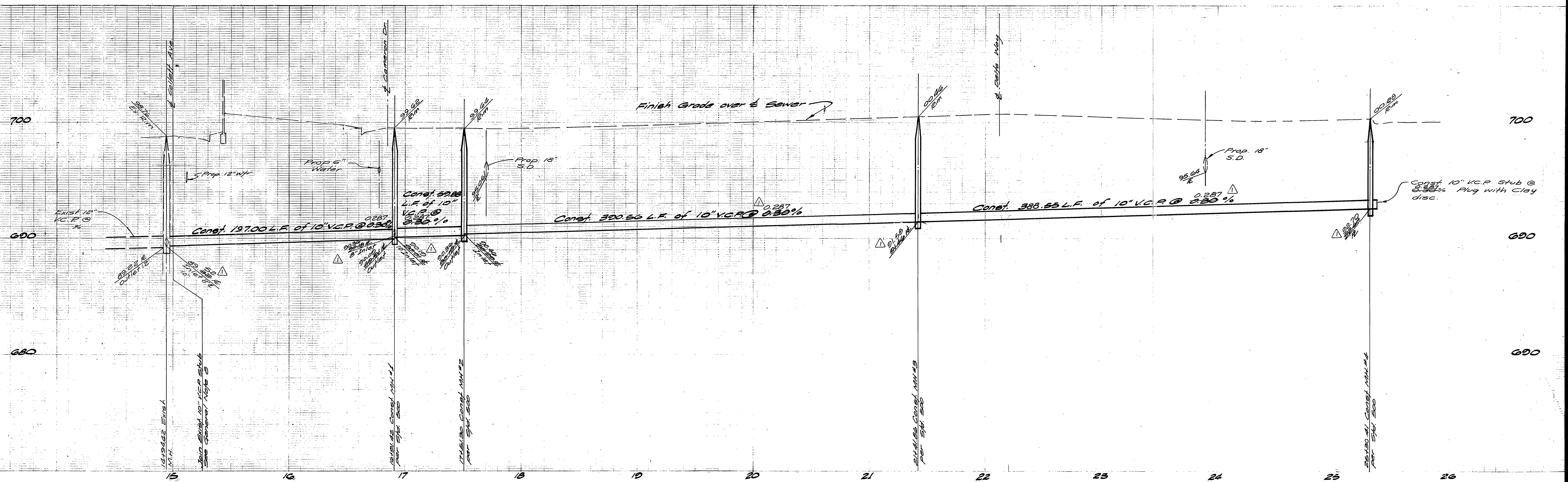
NOTICE TO CONTRACTOR

The existence and location of underground utility pipes or structures shown on these plans are obtained by a search of the available records. To the best of our knowledge, there are no existing utilities except as shown on these plans.

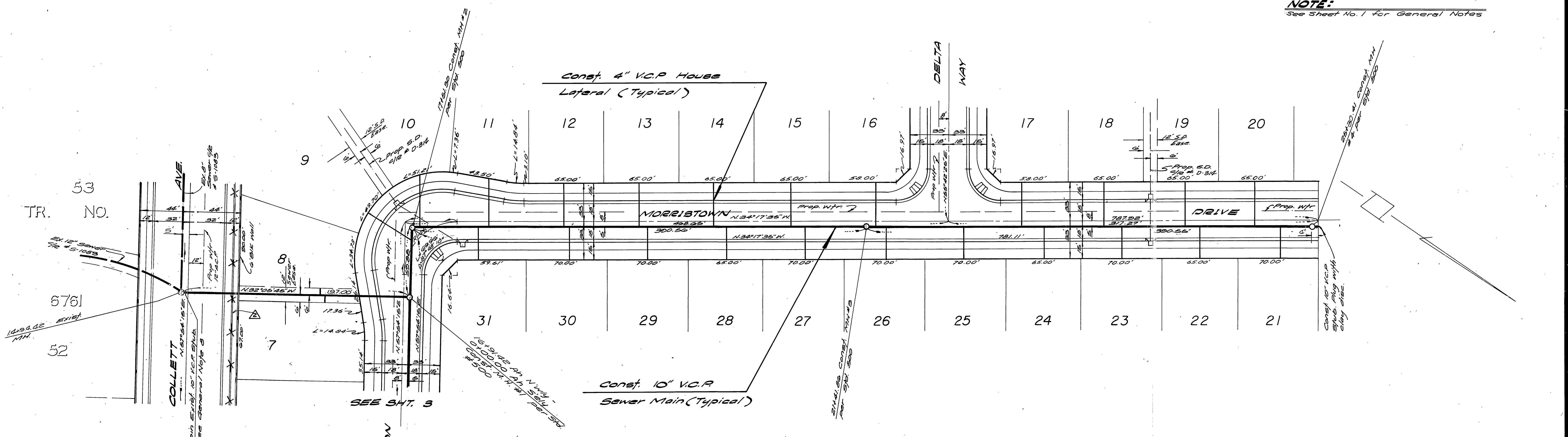
The contractor is required to take due precautionary measures to protect the utility lines shown and other lines not of record or not shown on these plans.

TRACT 6763-1

ALBERT A. WEBB ASSOCIATES CIVIL ENGINEERS RIVERSIDE, CALIFORNIA APPROVED BY: <i>[Signature]</i> DATE 4/4/77 R.E. No. 2872		CITY OF RIVERSIDE, CALIFORNIA PUBLIC WORKS DEPARTMENT APPROVED BY: <i>[Signature]</i> DATE 5/26/77 DIRECTOR OF PUBLIC WORKS		ACCOUNT No. DRAWING NUMBER S-1100 SHEET 1 OF 4 76-101-B
APPROVED BY: <i>[Signature]</i> DATE 4-1-77 Chief Utilities Engineer, Water		DESIGNED BY: <i>[Signature]</i> DRAWN BY: <i>[Signature]</i> CHECKED BY: <i>[Signature]</i>		* AS BUILT 4-15-80 BKP INDEXED R.R.



NOTE:
See Sheet No. 1 for General Notes



BENCH MARK
R.R. spike in PP # 24589J
@ S.E. corner La Sierra
Ave. and Collett Ave. 7p
I.B. 978/5 Elev. 704.250

APPROVED BY:
Wally Sellen 4-1-77
Chief Utilities Engineer, Water Date

ALBERT A. WEBB ASSOCIATES
CIVIL ENGINEERS
RIVERSIDE, CALIFORNIA
APPROVED BY: *Don N. Webb* DATE 4/4/77
R.E. No. 2822
W.G. 76101 FOR Pacesetter Homes F.B. 1032

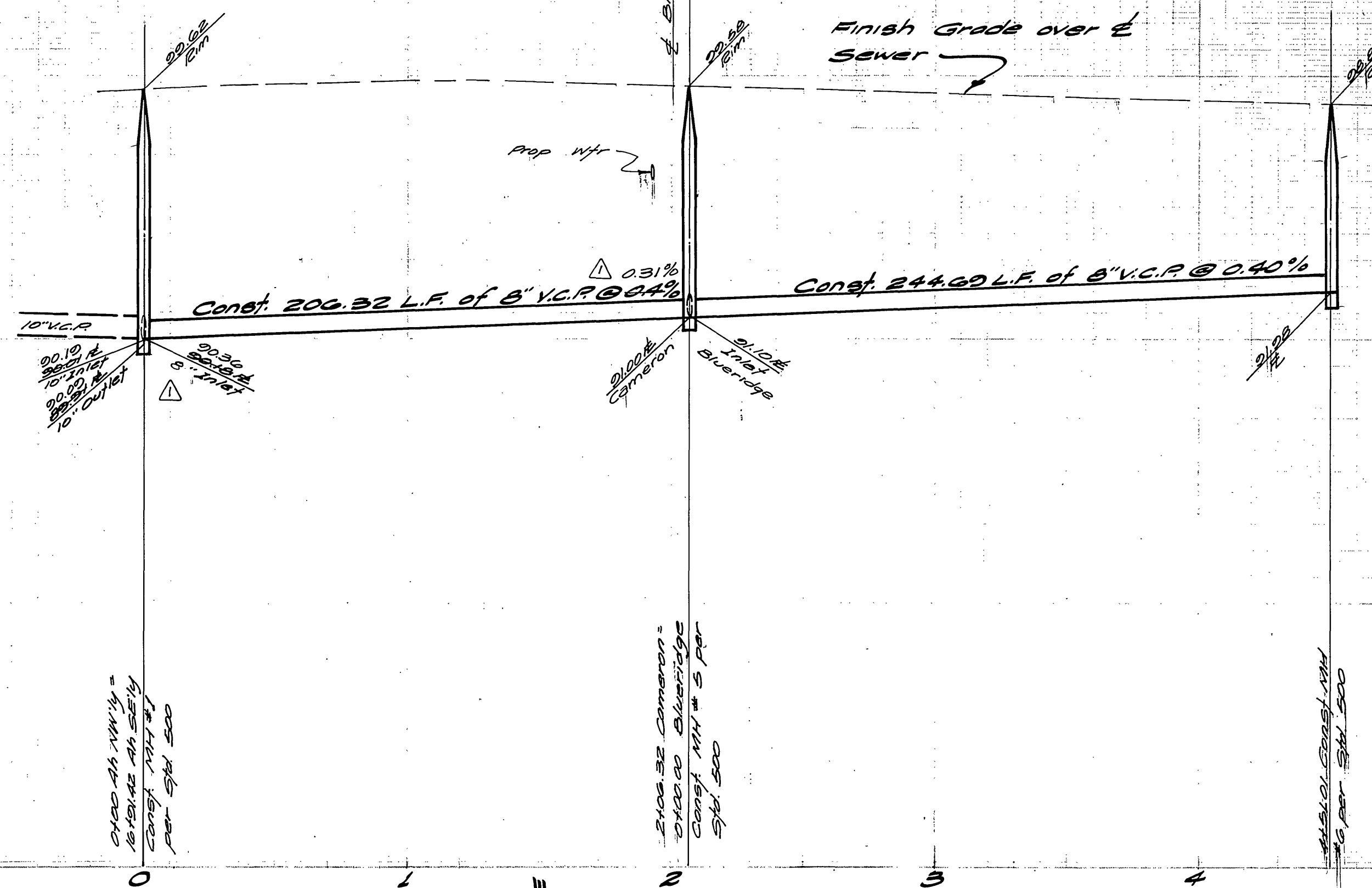
DESIGNED BY: <i>CLT</i>	DRAWN BY: <i>ME</i>	CHECKED BY: <i>BM</i>
REVISIONS		
MARK	REVISIONS	APPR. DATE
DELETED SLOUGH WALL - COLLETT		
Revised to meet ex. sewer		

CITY OF RIVERSIDE, CALIFORNIA
PUBLIC WORKS DEPARTMENT
APPROVED BY: *William B. Hansen*
PRINCIPAL ENGINEER
PARK DEPARTMENT
TRAFFIC DIVISION
CHIEF PUB. WKS. ENGR.
DATE 5/26/77

SEWER PLAN AND PROFILE
MORRISTOWN DRIVE
TRACT NO. 6763-2
SCALE: Horiz-1"=40' Vert-1"=4'

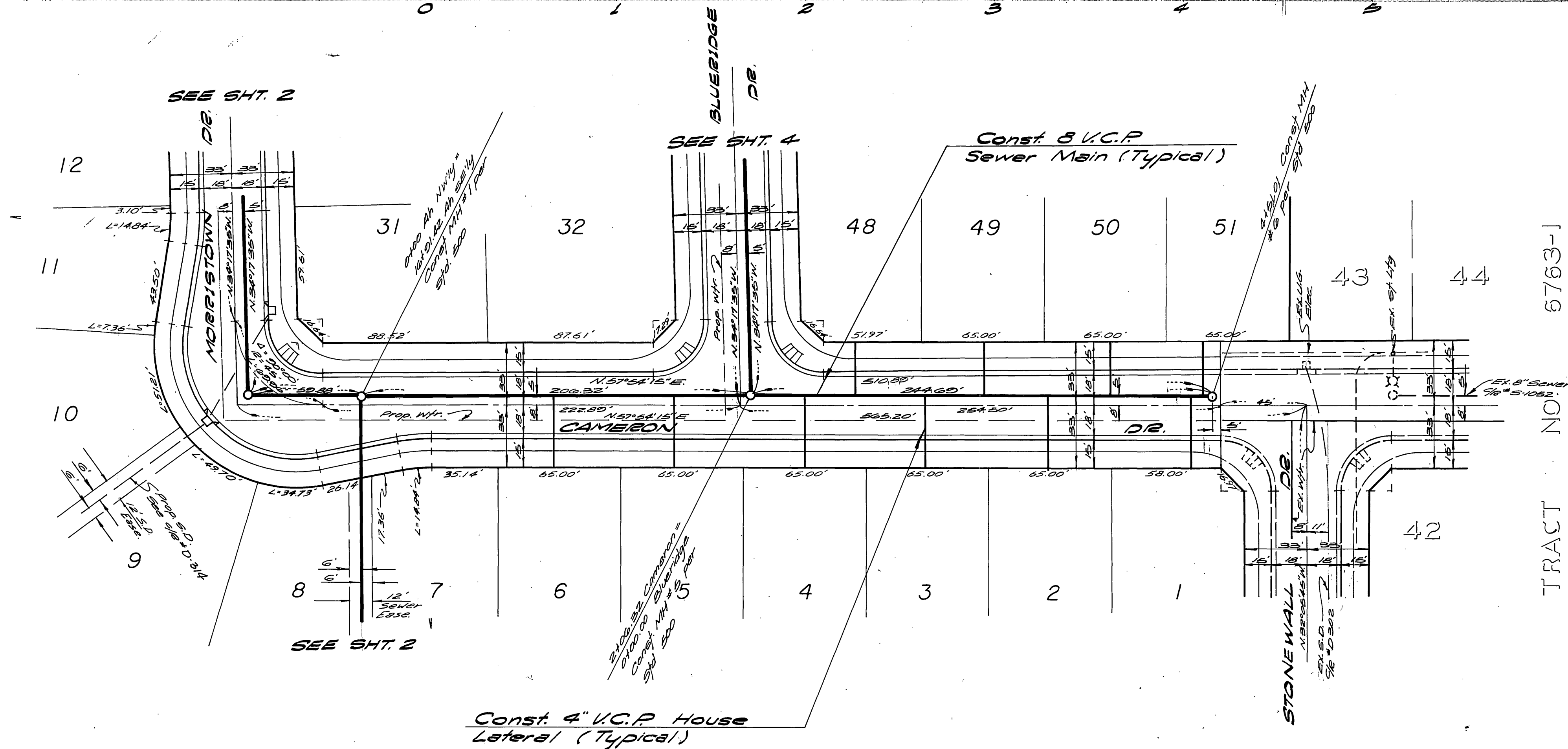
ACCOUNT No. INDEXED R.R.
DRAWING NUMBER
S-1100
SHEET 2 OF 4
76-101-B

700
680
660



700
680
660

NOTE:
See Sheet No. 1 for General Notes



TRACT NO. 6763-1

Const. 4" V.C.P. House Lateral (Typical)

BENCH MARK

R.R. spike in PP #245887
@ S.E. corner La Sierra Ave. and Collett Ave. 4th F.B. 97815
Elev. 704.250

APPROVED BY: *Valery J. Allen* 4-1-77
Chief Utilities Engineer, Water

ALBERT A. WEBB ASSOCIATES
CIVIL ENGINEERS
RIVERSIDE, CALIFORNIA

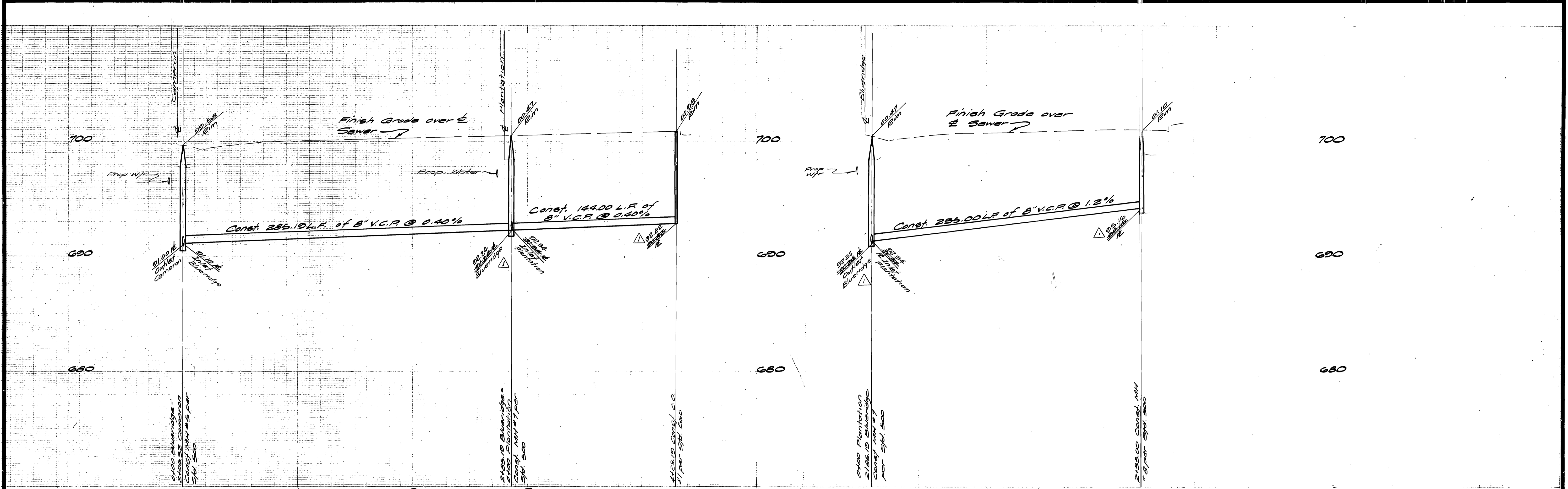
APPROVED BY: *D. K. Webb* DATE: 4/1/77

R.E. No. 2822

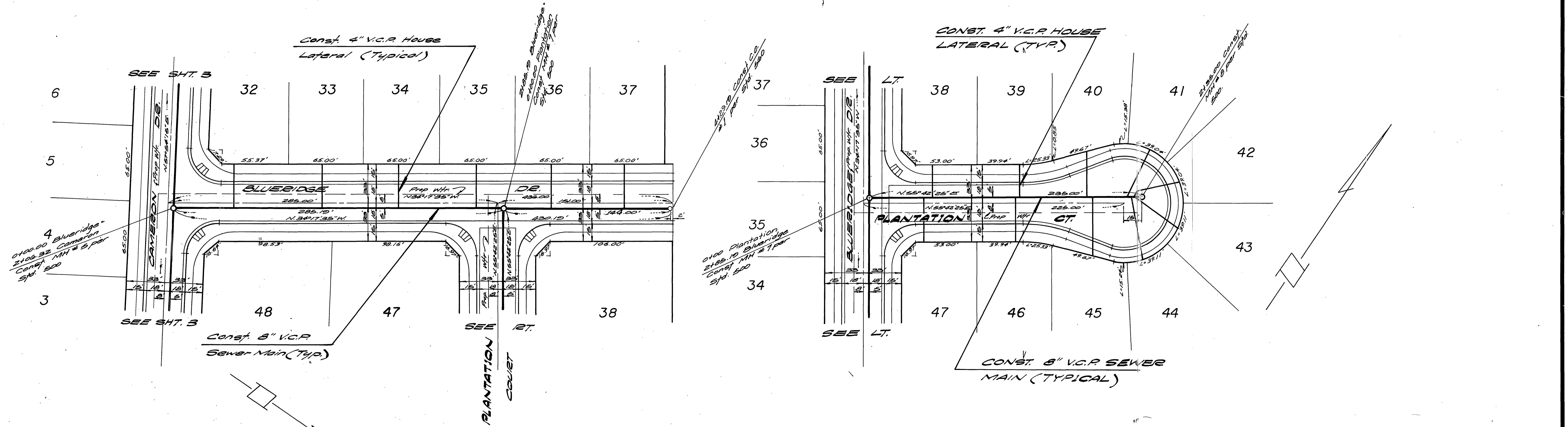
W.O. 76101 FOR Pacesetter Homes F.B. 1032

DESIGNED BY: R.L.T. DRAWN BY: M.S. CHECKED BY: B.M.

CITY OF RIVERSIDE, CALIFORNIA PUBLIC WORKS DEPARTMENT		SEWER PLAN AND PROFILE CAMERON DRIVE TRACT NO. 6763-2		ACCOUNT NO. DRAWING NUMBER S-1100
APPROVED BY: PRINCIPAL ENGINEER	BY: <i>William S. Hester</i>	DATE: 5/26/77	APPROVED BY: DIRECTOR OF PUBLIC WORKS	INDEXED P.B.
TRAFFIC DIVISION CHIEF PUB. WKS. ENGR.		DATE: 5/26/77	SCALE: Horiz. - 1"=40' Vert. - 1"=4'	SHEET 3 OF 4
* AS BUILT 4-15-80 B.P.P.				76-100-B



NOTE:
See Sheet No. 1 for General Notes



BENCH MARK

RR spike in PP# 24589J
@ S.E. corner La Sierra
Ave and Collett Ave 9th
F.B. 978/5 Elev 704.250

APPROVED BY:
Walter J. Miller 4-1-77
Chief Utilities Engineer, Water Date

ALBERT A. WEBB ASSOCIATES
CIVIL ENGINEERS
RIVERSIDE, CALIFORNIA
APPROVED BY: *[Signature]* DATE 4/1/77
R.E. No. 3876

NO.	REVISIONS	DATE
1	Revised P.L. Sewer	12-7-77

CITY OF RIVERSIDE, CALIFORNIA
PUBLIC WORKS DEPARTMENT
APPROVED BY: *[Signature]* DATE 5/26/77
DIRECTOR OF PUBLIC WORKS

SEWER PLAN AND PROFILE
BLUERIDGE DRIVE
HAZELVILLE COURT
TRACT NO. 6763-2
SCALE: Horiz-1"=40' Vert-1"=4'

INDEXED & R
ACCOUNT No.
DRAWING NUMBER
S-1100
SHEET 4 OF 4
76-101-B