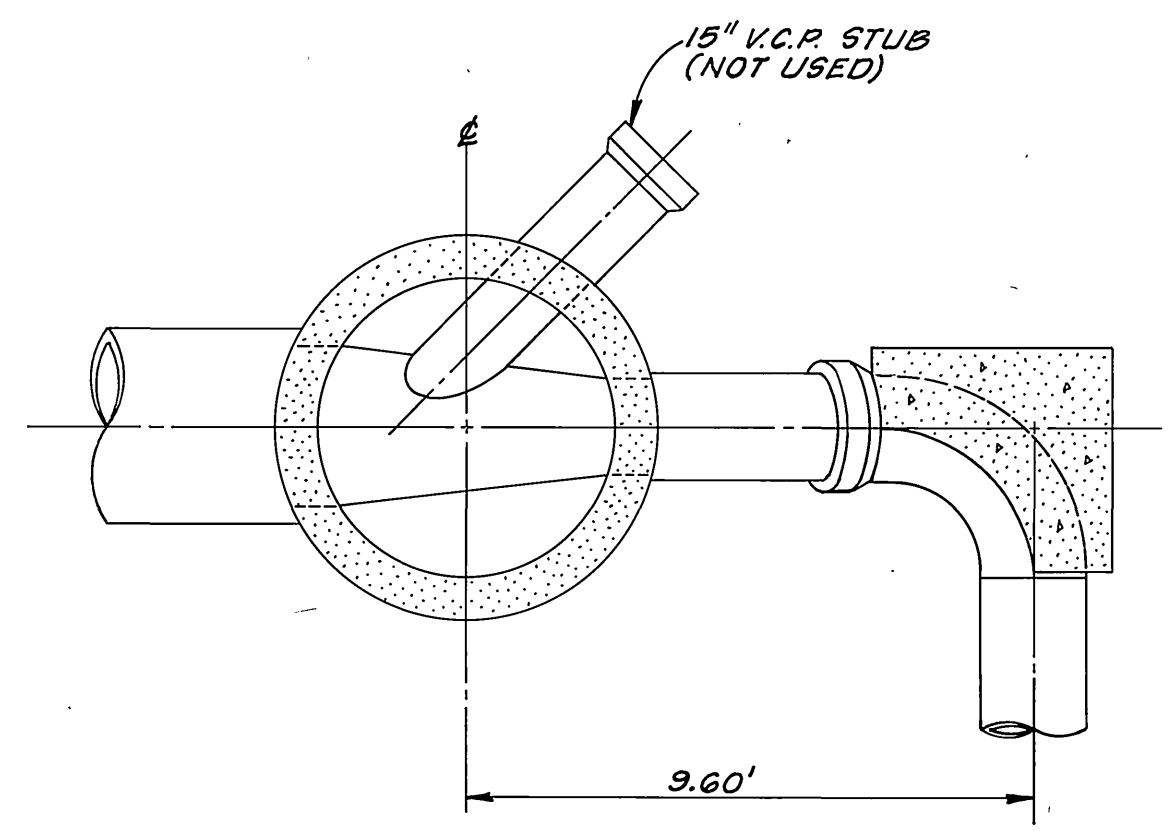
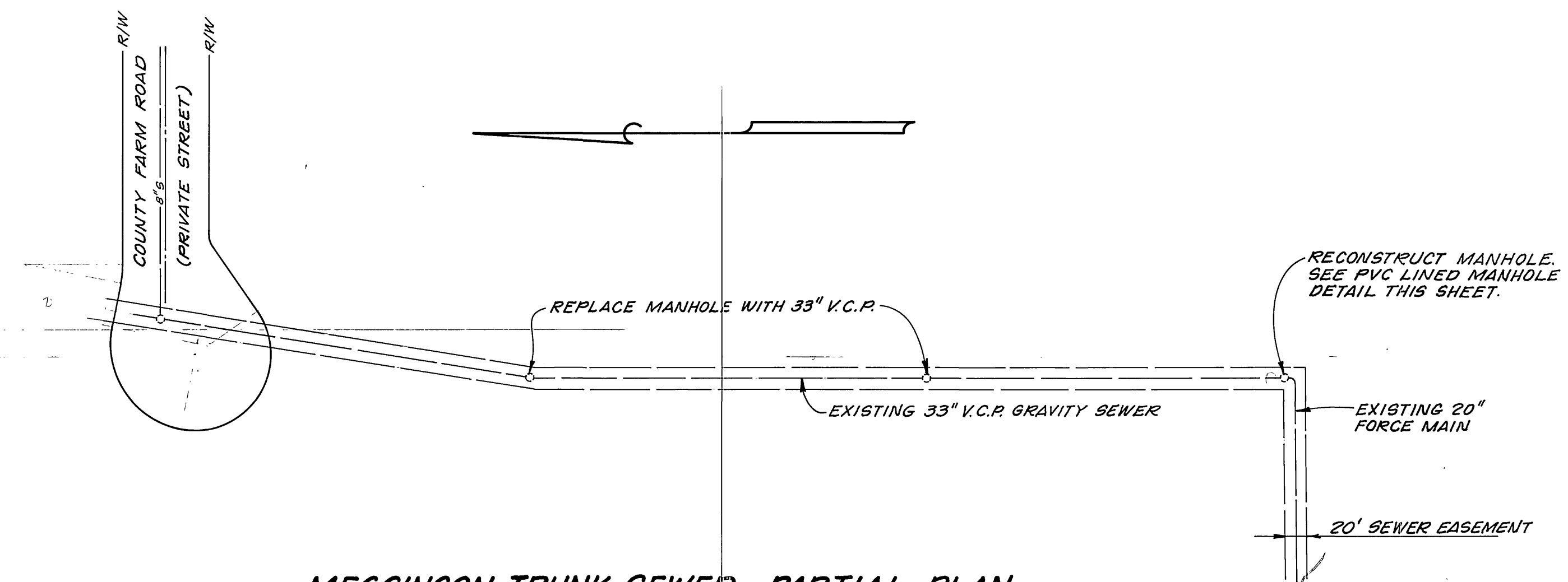


SECTION



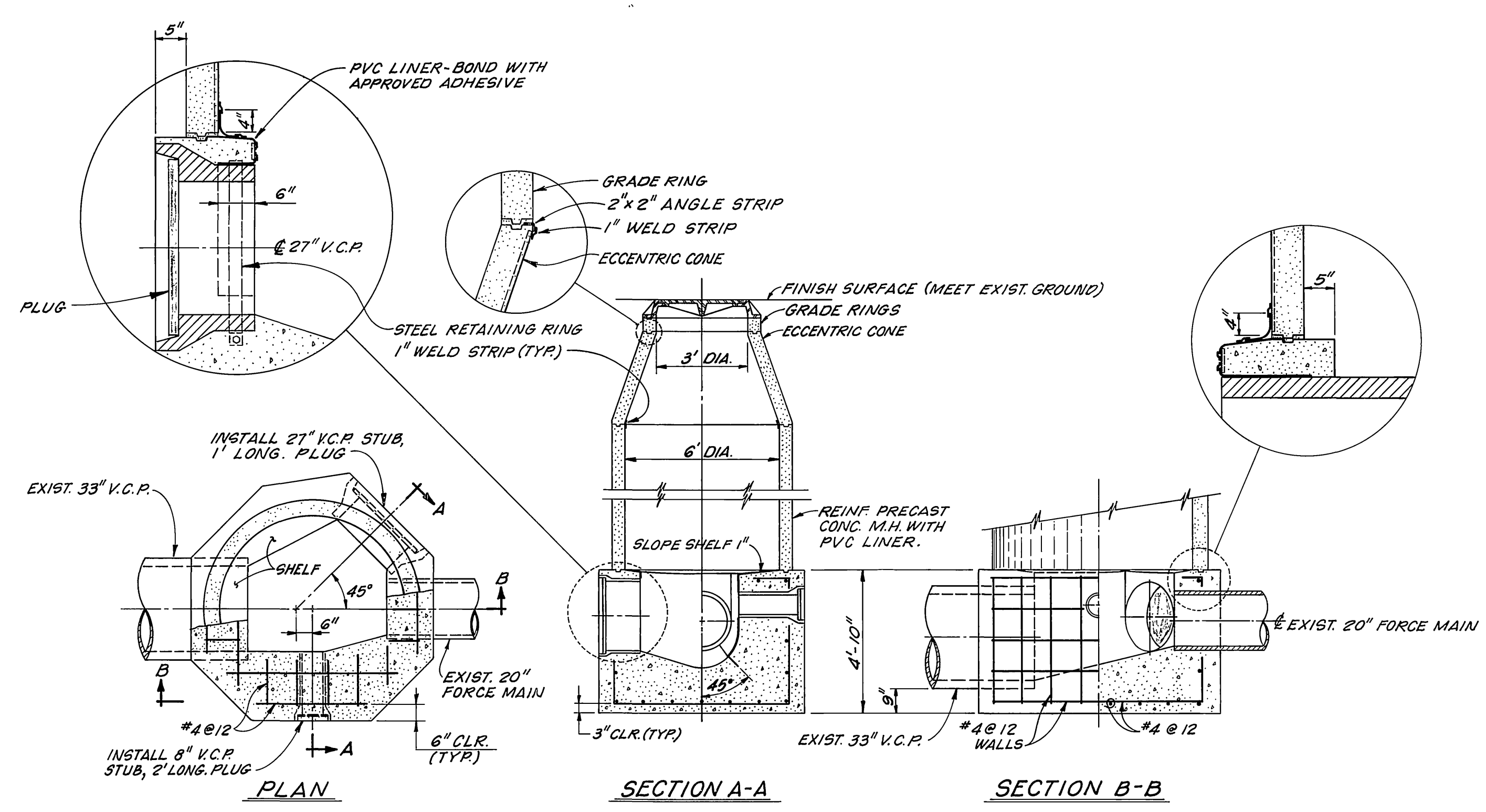
PLAN

**EXISTING MANHOLE DETAIL**  
PER AS BUILT DRAWING NO. S-787  
NOT TO SCALE

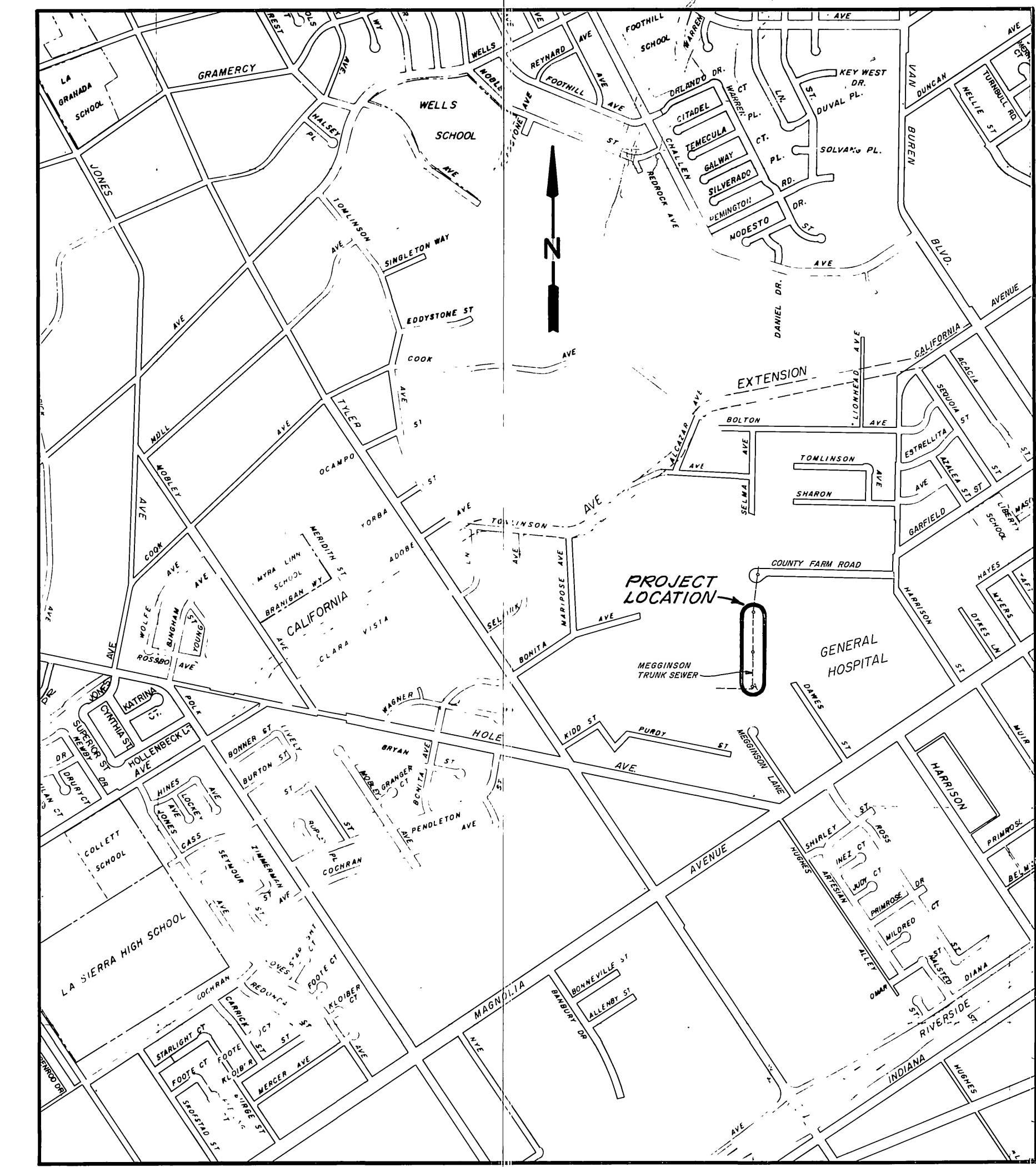


**MEGGINSON TRUNK SEWER - PARTIAL PLAN**  
SCALE: 1" = 100'

RECONSTRUCT MANHOLE. SEE PVC LINED MANHOLE DETAIL THIS SHEET.



**PVC LINED MANHOLE DETAIL**  
NOT TO SCALE



**PROJECT LOCATION MAP**  
SCALE: 1" = 1000'

**CONSTRUCTION NOTES**

1. CONSTRUCTION SHALL BE IN ACCORDANCE WITH THE STANDARD SPECIFICATIONS FOR PUBLIC WORKS CONSTRUCTION, 1976 EDITION.

<p><b>CITY OF RIVERSIDE</b> PUBLIC WORKS DEPARTMENT</p>			<p><b>MEGGINSON TRUNK SEWER REPAIR</b></p>		<p>INDEXED R/R ACCOUNT NO. 32-577-589</p>
<p>APPROVED BY: [Signature] PRINCIPAL ENGINEER</p>			<p>APPROVED BY: [Signature] DIRECTOR</p>		<p><b>S-1120</b></p>
<p>DESIGNED BY: [Signature] DRAWN BY: KPT CHECKED BY: [Signature]</p>			<p>DATE: 11-17-77</p>		<p>SHEET 1 OF 1</p>
<p>MARK REVISIONS APPR. DATE</p>			<p>HORIZ. SCALE: 1" = 1000'</p>		<p>FILE NO.</p>