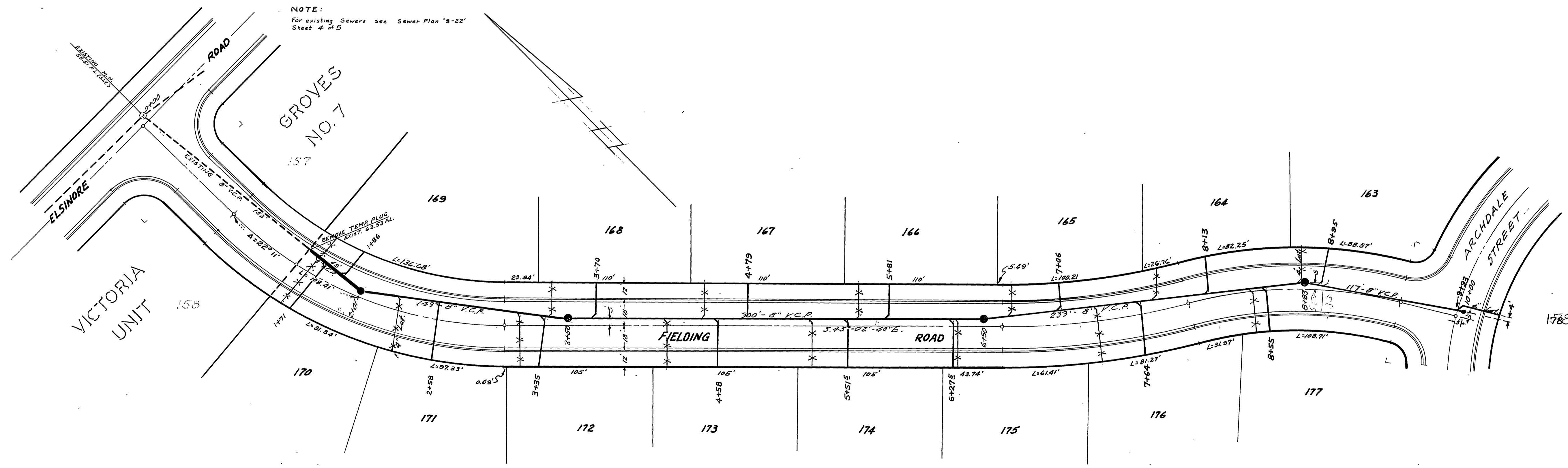


NOTE:
For existing Sewers see Sewer Plan "S-22"
Sheet 4 of 5



NOTE: All wyes and laterals
to be located in field.

B.M. R.R. Spike in Tel. Pole No. 12
at Arroyo Drive and
Kansas Avenue
Elev. = 970.35

"As Built" House Connections, 10-29-58, H.B. 822

C.F. DAVIDSON - CIVIL ENGINEER
R.E. No. 562
RIVERSIDE, CALIFORNIA
APPROVED BY *Geo. E. Martin* DATE 1/27/58

CITY OF RIVERSIDE, CALIFORNIA
DEPARTMENT OF PUBLIC WORKS
SEWER PLAN & PROFILE
FIELDING ROAD

VICTORIA GROVES UNIT NO. 8
HORIZ. SCALE 1 in. = 40 ft. VERT. SCALE 1 in. = 4 ft.

APPROVED BY
Geo. E. Martin
March 5, 1948
S-114