

GENERAL NOTES

- THE PRIVATE ENGINEER SIGNING THESE PLANS IS RESPONSIBLE FOR THE ACCURACY AND ACCEPTABILITY OF THE WORK HEREON. IN THE EVENT OF DISCREPANCIES ARISING DURING CONSTRUCTION THE PRIVATE ENGINEER SIGNING THESE PLANS SHALL BE RESPONSIBLE FOR DETERMINING AN ACCEPTABLE SOLUTION AND REVISING THE PLANS FOR APPROVAL BY THE CITY.
- CONSTRUCTION SHALL BE IN ACCORDANCE WITH STANDARD SPECIFICATIONS FOR PUBLIC WORKS CONSTRUCTION, 1976 EDITION.
- WHERE THE PROPOSED SEWER CROSSES A WATER MAIN, THE CONTRACTOR SHALL ENCASE THE SEWER AS WATER MAIN PER R.U.D. WATER DIVISION STD. DRAWING NO. CWD-021.
- ALL STATIONING ON SEWER CENTRALLINE.
- THE CONTRACTOR SHALL BE RESPONSIBLE TO REPAIR OR REPLACE IN KIND AT HIS OWN EXPENSE ANY IMPROVEMENTS DAMAGED BY HIS OPERATION DURING CONSTRUCTION.
- BACKFILL SHALL BE IN ACCORDANCE WITH CITY OF RIVERSIDE STD. DWG. NO. #93.
- PIPE SHALL BE BEDDED PER CASE I, CITY OF RIVERSIDE STD. DWG. NO. #92.
- LOCATION OF LATERALS TO BE DETERMINED IN THE FIELD AT THE DIRECTION OF THE OWNER. AVOID CONFLICT WITH PROPOSED AND/OR EXISTING FACILITIES.
- CONTRACTOR TO VERIFY EXISTING SEWER ELEVATION PRIOR TO CONSTRUCTION.
- THE CONTRACTOR SHALL ADJUST MANHOLES TO FINAL GRADE AFTER PAVING IS COMPLETED.
- IT SHALL BE THE RESPONSIBILITY OF THE CONTRACTOR TO CLEAR THE RIGHT OF WAY IN ACCORDANCE WITH THE PROVISIONS OF LAW AS IT AFFECTS EACH UTILITY INCLUDING IRRIGATION LINES AND APPURTENANCES AND AT NO COST TO THE CITY.
- A PLUG SHALL BE INSTALLED AND WILL REMAIN IN PLACE WHERE THE NEW SEWER CONNECTS WITH THE EXISTING SEWER UNTIL THE NEW SEWER IS ACCEPTED BY THE CITY.

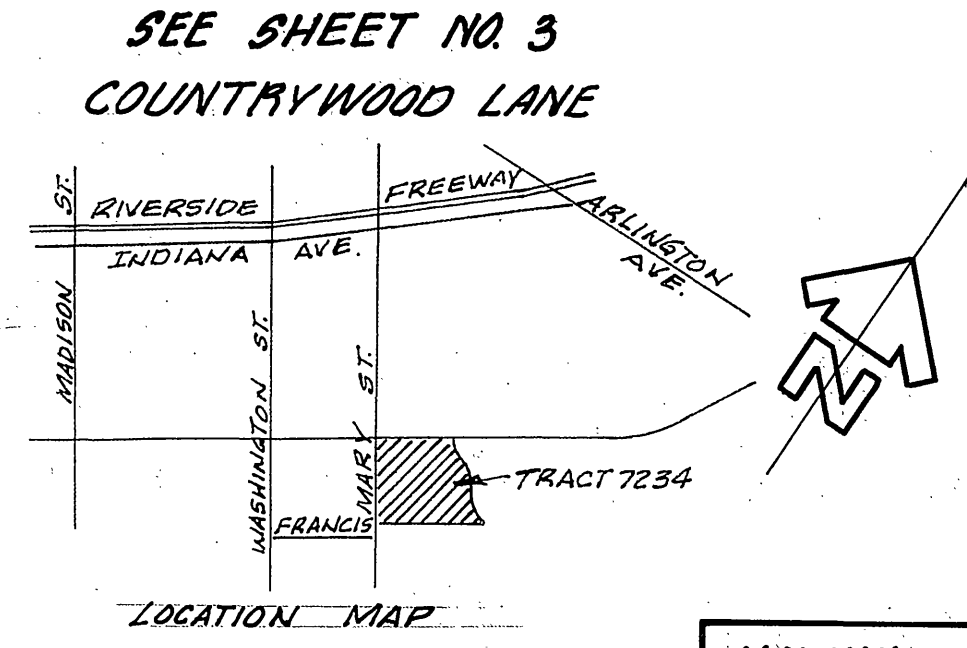
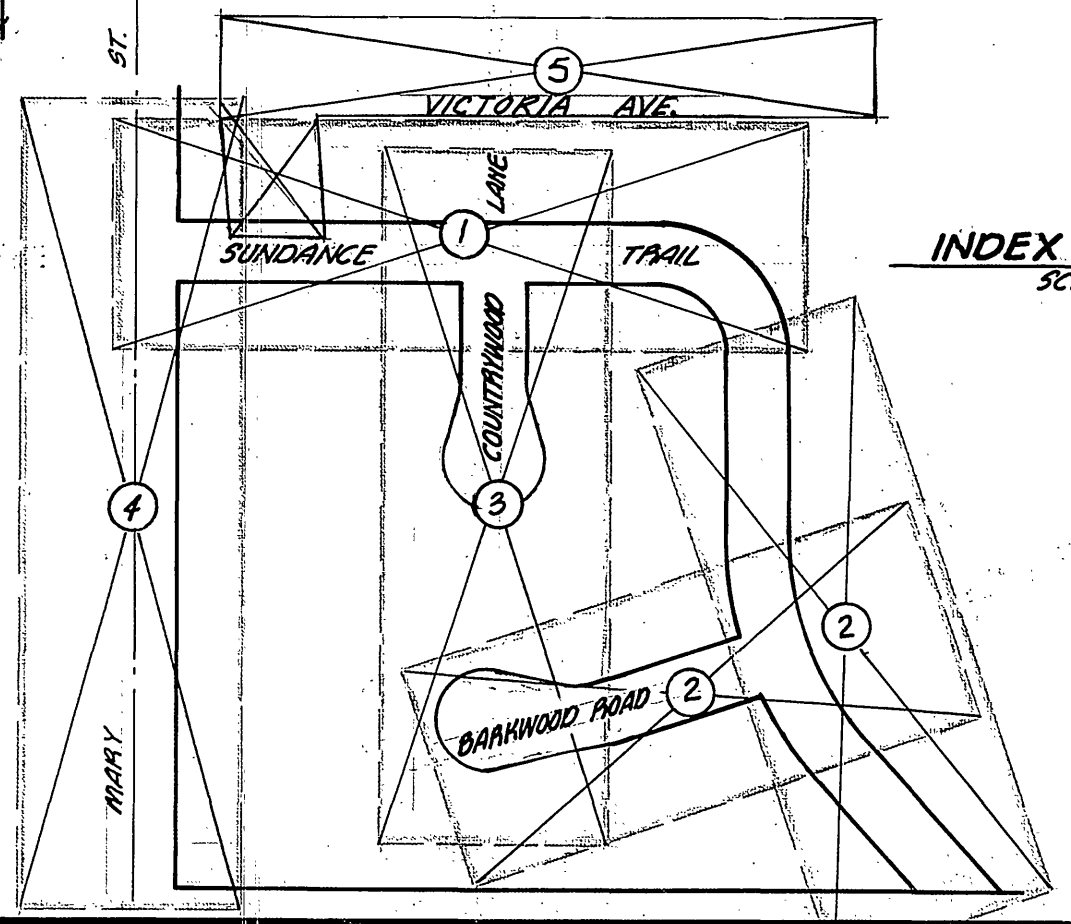
CONSTRUCTION NOTES

- CONST. MANHOLE PER CITY OF RIVERSIDE STD. DWG. NO. 500.
- CONST. SEWER LATERAL PER CITY OF RIVERSIDE STD. DWG. NO. 502.
- CONST. 8" V.C.P. SEWER MAIN.
- CONST. 15" V.C.P. SEWER MAIN.

NOTICE TO CONTRACTOR

THE EXISTENCE AND LOCATION OF ANY UNDERGROUND UTILITY PIPES OR STRUCTURES SHOWN ON THIS PLAN ARE OBTAINED BY A SEARCH OF THE AVAILABLE RECORDS TO THE BEST OF OUR KNOWLEDGE. THERE ARE NO EXISTING UTILITIES EXCEPT AS SHOWN ON THESE PLANS. THE CONTRACTOR IS REQUIRED TO TAKE DUE PRECAUTIONARY MEASURES TO PROTECT THE UTILITY LINES SHOWN AND ANY OTHER LINES NOT OF RECORD OR NOT SHOWN ON THIS PLAN.

NOTE:
THESE PLANS ARE FOR SEWER CONSTRUCTION ONLY!



CITY OF RIVERSIDE
DOMESTIC SYSTEM

APPROVED BY:
[Signature] 9-15-77
CHIEF UTILITIES SEWER, WATER DEPT.

HAWKINS, ROBERTSON & ASSOCIATES
ENGINEERS • SURVEYORS
3750 ELIZABETH STREET • RIVERSIDE, CALIFORNIA • 924-9522

BENCH MARK: FG-A, TD, B.M.S. DISC. STAMPED (FA-CAMBER)
@ INTERSECTION OF VICTORIA AVE & WASHINGTON ST. P.C. 735-3
ELEV. 927.929

APPROVED: *[Signature]* DATED: 4/29/77
A.C.E. 18016

DESIGNED BY: *[Signature]*
DRAWN BY: *[Signature]*
CHECKED BY: *[Signature]*

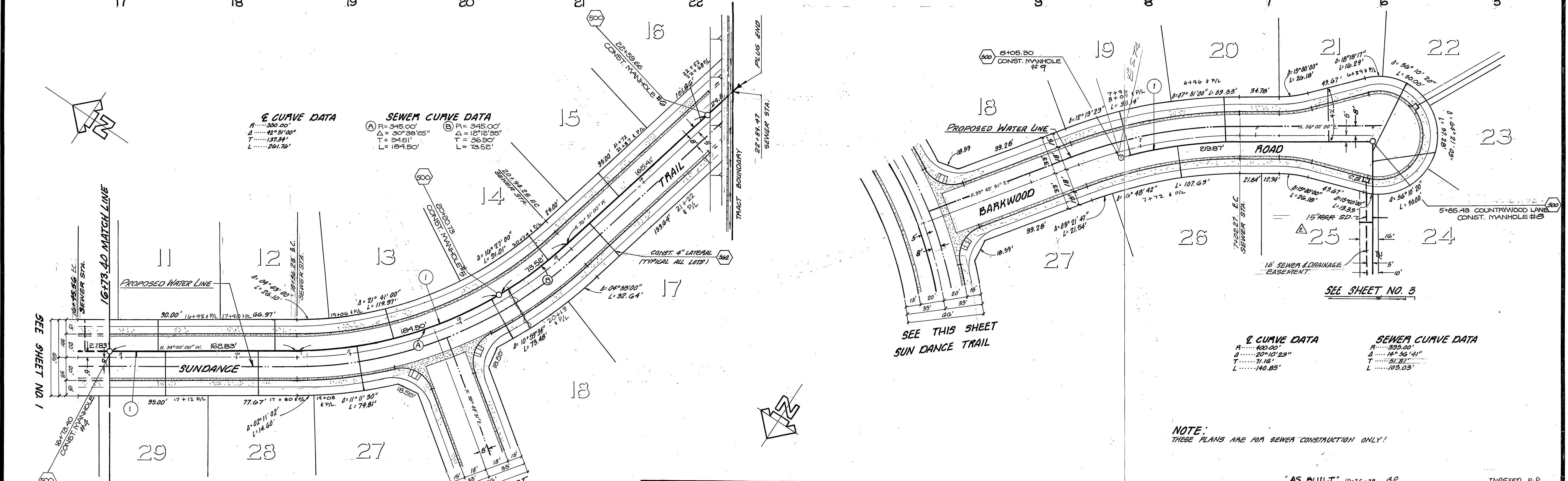
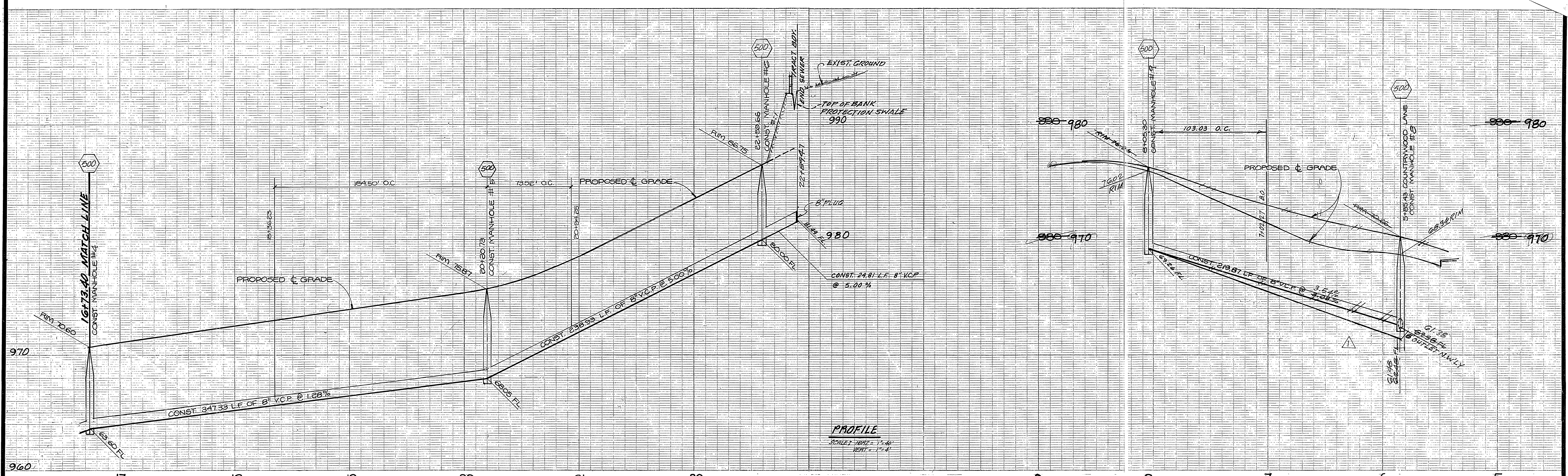
CITY OF RIVERSIDE, CALIFORNIA
DEPARTMENT OF PUBLIC WORKS

APPROVED BY: *[Signature]* DATE: 11-28-77
OFFICE ENGINEER
TRAFFIC DIVISION
ASSISTANT CITY ENGINEER

AS BUILT 10-25-74 B.P.

TRACT NO. 7234
SUNDANCE TRAIL
SEWER PLAN & PROFILE

INDEXED R.R.
PROJECT NO. 76-2591
5-1146
SHEET 1 OF 5
HORIZ. SCALE: 1" = 40'
VERT. SCALE: 1" = 4'
FILE NO. 75-2591



SEWER CURVE DATA
 A.....345.00'
 Δ.....30°36'25"
 T.....94.61'
 L.....184.50'

SEWER CURVE DATA
 A.....345.00'
 Δ.....18°18'25"
 T.....56.90'
 L.....73.62'

SEWER CURVE DATA
 A.....395.00'
 Δ.....14°26'41"
 T.....51.37'
 L.....103.03'

SEWER CURVE DATA
 A.....395.00'
 Δ.....14°26'41"
 T.....51.37'
 L.....103.03'

NOTE:
 THESE PLANS ARE FOR SEWER CONSTRUCTION ONLY!

NOTE:
 SEE SHEET NO. 1 FOR GENERAL NOTES
 AND CONSTRUCTION NOTES.

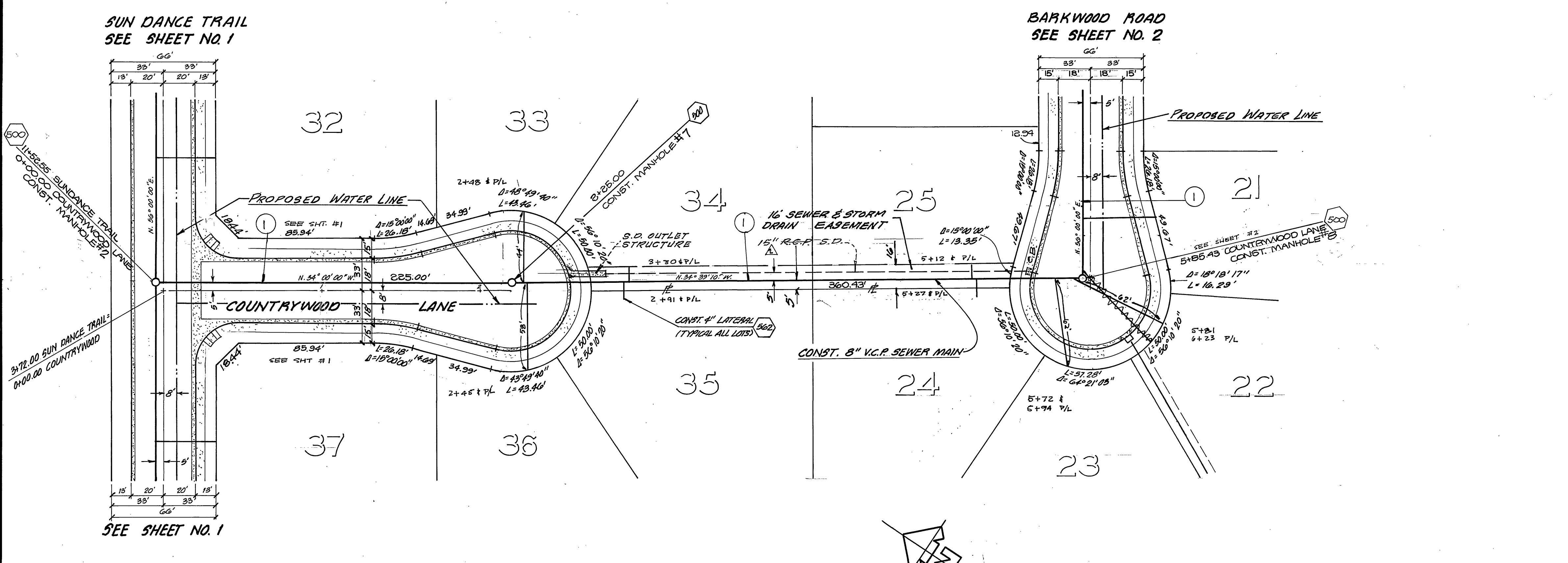
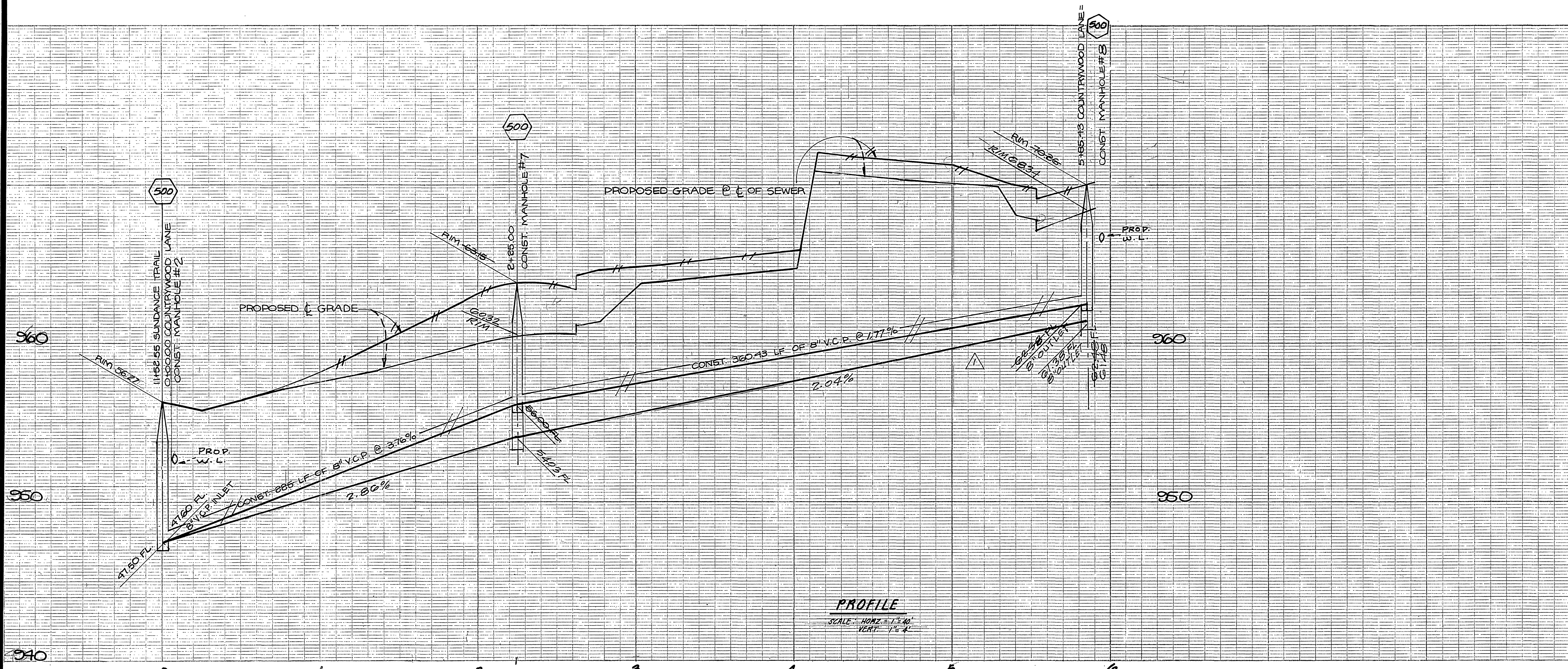
**CITY OF RIVERSIDE
 DOMESTIC SYSTEM**
 APPROVED BY:
[Signature]
 CHIEF UTILITIES ENGR. WATER DATE

HAWKINS, ROBERTSON & ASSOCIATES
 ENGINEERS • SURVEYORS
 3750 ELIZABETH STREET • ANAHEIM, CALIFORNIA • 92812
 BENCH MARK: PG-9, PD, BANAS, DUC, STAMPED (PG-A) CAPPED
 @ INTERSECTION OF VICTORIA AVE. & WASHINGTON ST. F.B. 735-3
 ELEV. 927.999
 APPROVED: *[Signature]* DATED: 4/29/77
 H.C.E. 13016

REV. SEWER GRADES, BARKWOOD ROAD 12/13/77 C.E.
 CHANGED R.O.P. TO ACP CLASS III
 5/22/78 C.E.R.
 MARK REVISIONS APPR. DATE
 DESIGNED BY: Bob DRAWN BY: [Signature] CHECKED BY:

**CITY OF RIVERSIDE, CALIFORNIA
 DEPARTMENT OF PUBLIC WORKS**
 APPROVED BY: [Signature]
 OFFICE ENGINEER
 PARK DEPARTMENT
 TRAFFIC DIVISION
 ASSISTANT CITY ENGR.
 DATE: 11-28-77

"AS BUILT" 10-26-79 G.P.
TRACT NO. 7234
**SUN DANCE TRAIL &
 BARKWOOD ROAD**
SEWER PLAN & PROFILE
 PROJECT NO. 76-2591
S-1146
 SHEET 2 OF 5
 FILE NO. 75-2591



NOTE:
THESE PLANS ARE FOR GENERAL CONSTRUCTION ONLY!

NOTE:
SEE SHEET NO. 1 FOR GENERAL NOTES
AND CONSTRUCTION NOTES.

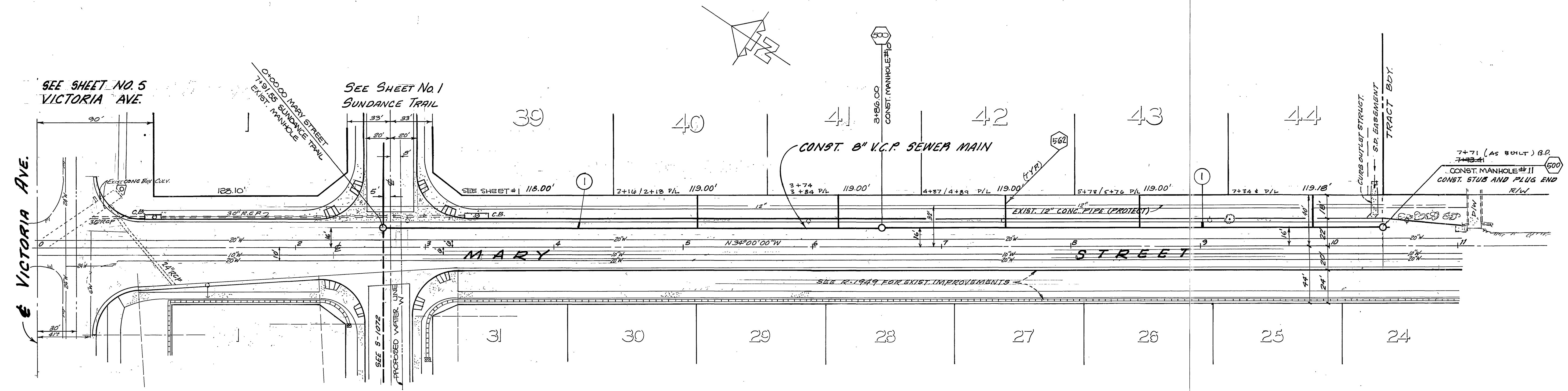
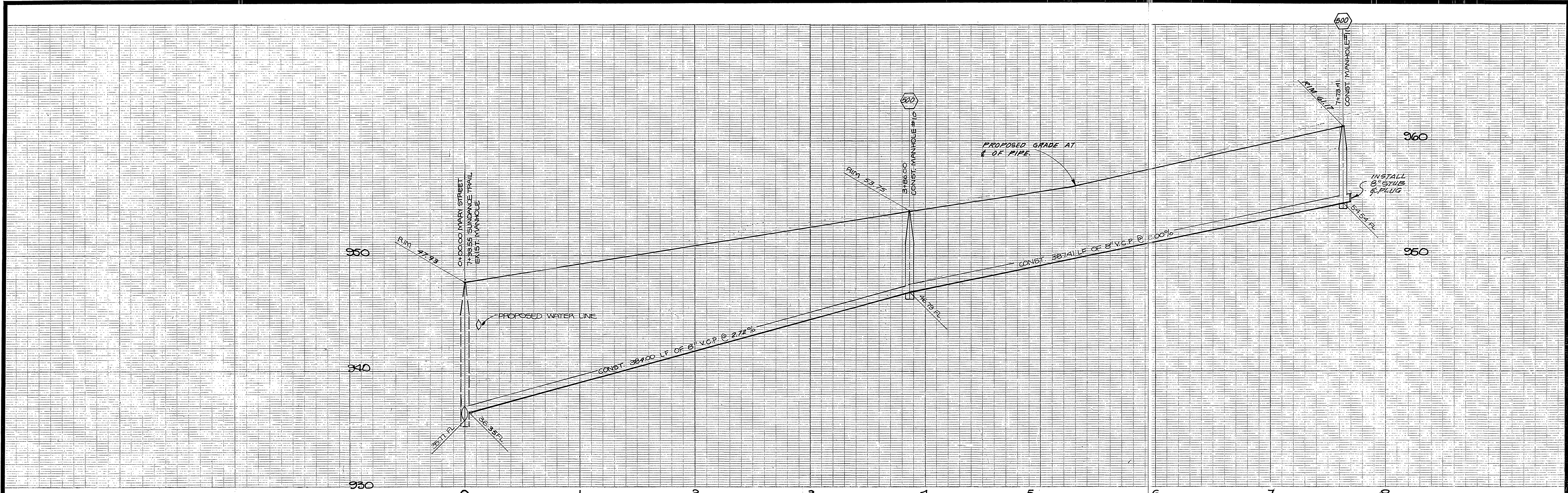
CITY OF RIVERSIDE
DOMESTIC SYSTEM
APPROVED BY:
Walter Fisher 9-15-77
CHIEF UTILITIES ENG. WATER DATE

HAWKINS, ROBERTSON & ASSOCIATES
ENGINEERS • SURVEYORS
3786 ELIZABETH STREET • RIVERSIDE, CALIFORNIA • 949-9522
BENCH MARK: 16-A, ED. BRASS DISC. STAMPED 176-71 CAPPED
@ INTERSECTION OF VICTORIA AVE. & WASHINGTON ST. P.B. 725-3
ELEV. 392.399
APPROVED: *Charles E. Robertson* DATED: 4/29/77
R.C.E. 13016

REV. SEWER GRADE 10/13/77
CHANGED RCP TO RCP CLASS III C/P
3/22/78 C.E.R.
MARK REVISIONS APPR. DATE
DESIGNED BY: *Bob* DRAWN BY: *Hyatt* CHECKED BY:

CITY OF RIVERSIDE, CALIFORNIA
DEPARTMENT OF PUBLIC WORKS
APPROVED BY: *[Signature]* DATE: 11/23
OFFICE ENGINEER
PARK DEPARTMENT
TRAFFIC DIVISION
ASSISTANT CITY ENG. *[Signature]*

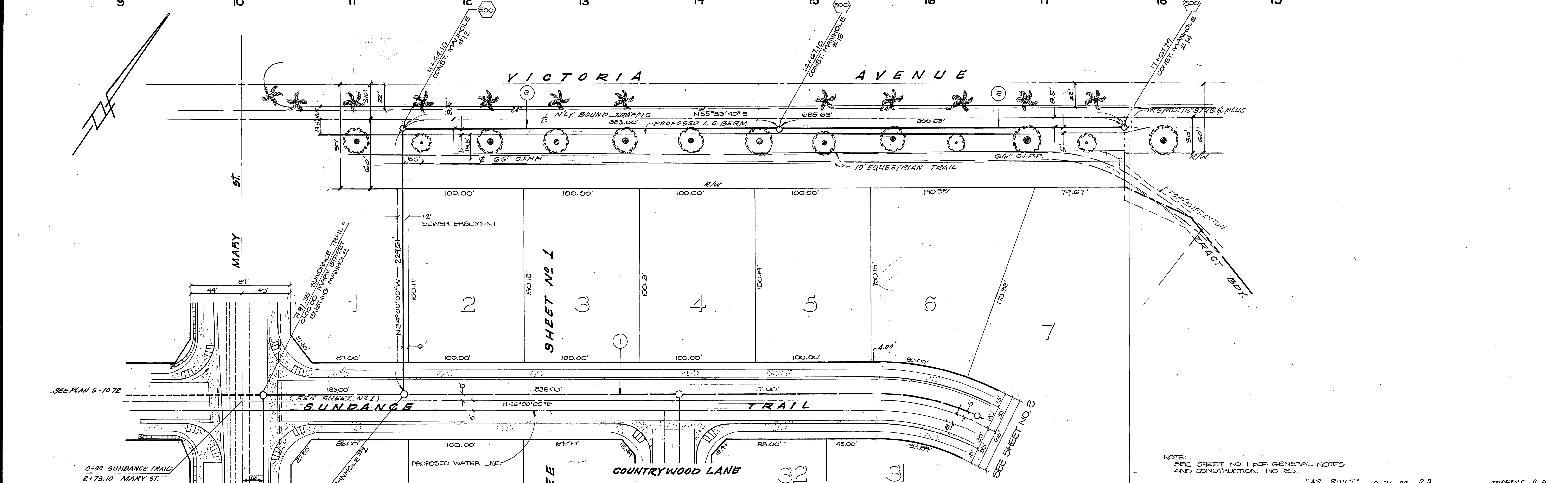
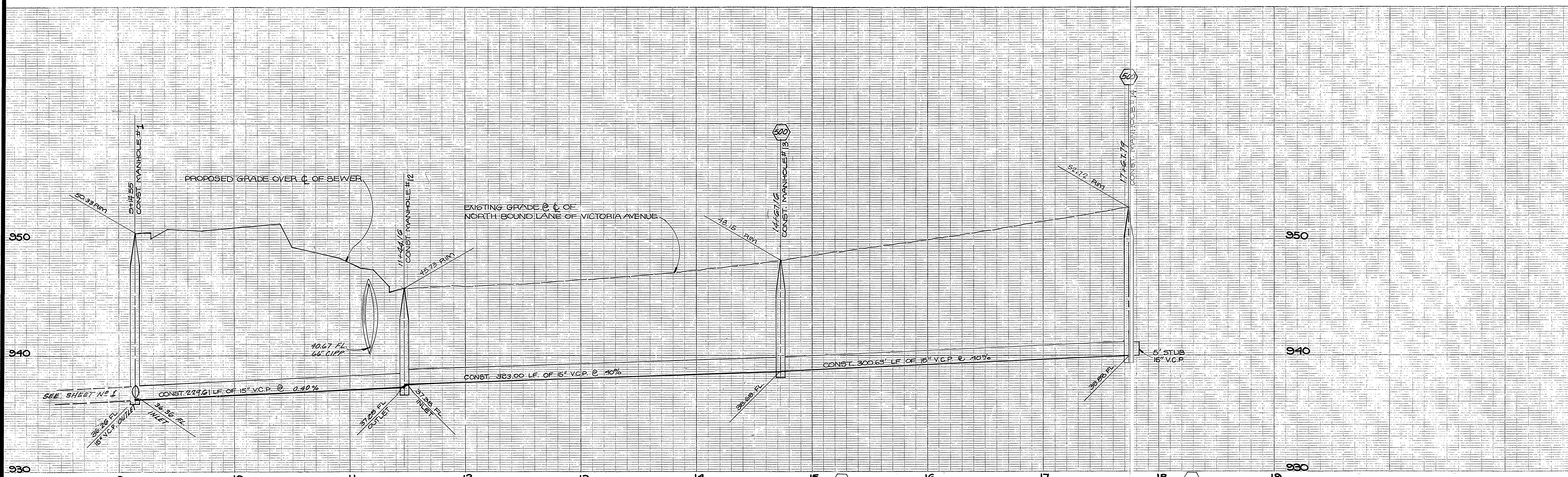
"AS BUILT" 10-20-79 B.P.
INDEXED P.B.
TRACT NO. 7234
COUNTRYWOOD LANE
TO
BARKWOOD ROAD
SEWER PLAN
PROJECT NO. 75-2591
S-1146
SHEET 3 OF 5
FILE NO. 75-2591
DATE 11-28-77
HORIZ. SCALE: 1" = 40' VERT. SCALE: 1" = 4'



NOTE:
THESE PLANS ARE FOR SEWER CONSTRUCTION ONLY.

NOTE:
SEE SHEET NO. 1 FOR GENERAL NOTES
AND CONSTRUCTION NOTES.

CITY OF RIVERSIDE DOMESTIC SYSTEM APPROVED BY: <i>John Ryan</i> CHIEF UTILITIES ENGR. WATER DATE 9-15-77	BENCH MARK: FG-A F.D. BRASS DISC STAMPED (FG-A) CAPPED & INT. OF VICTORIA AVE & WASH- INGTON STREET, FB735/3 ELEV. 927.999	HAWKINS, ROBERTSON & ASSOC. ENGINEERS & SURVEYORS RIVERSIDE, CALIFORNIA <i>Charles E. Robertson</i> 4-29-77 R.C.E. No. 15016 DATE		CITY OF RIVERSIDE, CALIFORNIA DEPARTMENT OF PUBLIC WORKS APPROVED BY: BY DATE <i>John Ryan</i> 11/23 OFFICE ENGINEER PARK DEPARTMENT TRAFFIC DIVISION ASSISTANT CITY ENGR. 11/23		"AS BUILT" 10-26-74 B.P. IMPROVED RR SEWER PLAN TRACT 7234 MARY STREET FROM INTERSECTION OF MARY ST. & VICTORIA AVE TO 1041.51' E'LY ALONG MARY ST.	PROJECT NO. S-1146 SHEET 4 OF 5 FILE NO. 75-2591
		DESIGNED BY: Bob DRAWN BY: <i>Bob</i> CHECKED BY:	REVISIONS APPR. DATE	DATE 11-28-77 HORIZ. SCALE: 1" = 40' VERT. SCALE: 1" = 4'			



NOTE: SEE SHEET NO. 1 FOR GENERAL NOTES AND CONSTRUCTION NOTES.
 "AS BUILT" 10-26-74 B.P. INDEXED R.A.

NOTE: THESE PLANS ARE FOR SEWER CONSTRUCTION ONLY.

HAWKINS, ROBERTSON & ASSOCIATES
 ENGINEERS & SURVEYORS
 DATE: 2/29/77
 BY: Charles E. Robertson
 P.O.E. No. 15016

BENCH MARK: FG-A FOUND BRASS DISC STAMPED (FG-A) CAPPED @ INTERSECTION OF VICTORIA AVE. AND WASHINGTON STREET ELEV. 921.999

APPROVED BY: *[Signature]* DATE: 9-13-77
 CHIEF UTILITIES ENGR. WATER

CITY OF RIVERSIDE, CALIFORNIA DEPARTMENT OF PUBLIC WORKS	
APPROVED BY: <i>[Signature]</i>	DATE: 2/23
OFFICE ENGINEER	PARK DEPARTMENT
TRAFFIC DIVISION	ASSISTANT CITY ENGR.

TRACT NO. 7234
 SEWER PLAN & PROFILE
 SUNDANCE TRAIL & VICTORIA AVENUE

PROJECT NO. **S-1146**
 SHEET **5** OF **5**
 FILE NO. 2991

HORIZ. SCALE: 1" = 40'
 VERT. SCALE: 1" = 4'