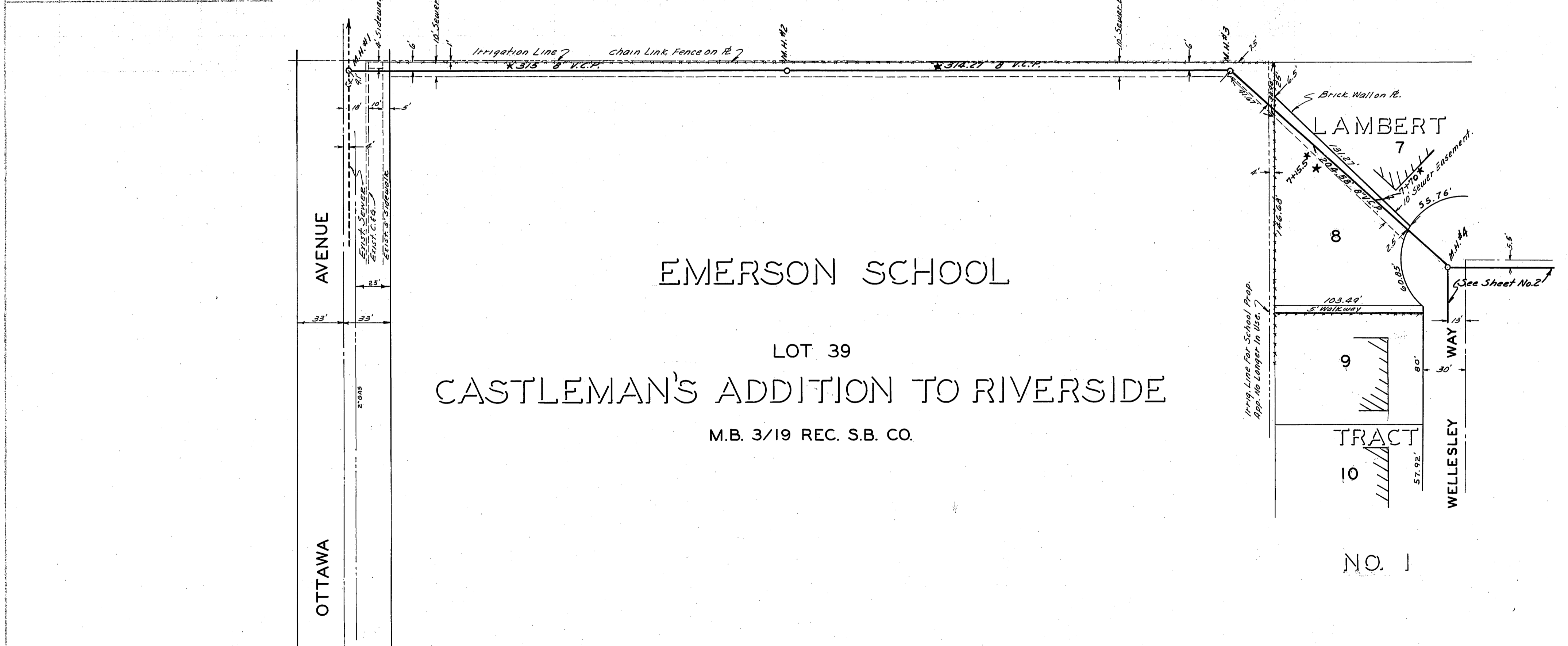
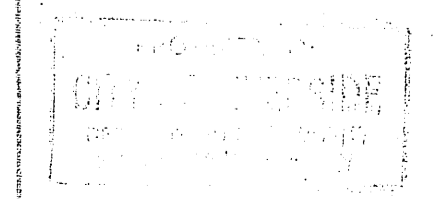


B.M. ELEV. 977.47 P.K. NAIL INN. CURB  
 VASSAR DR. 38'± W. OF C.L. CHICAGO.  
 B.M. ELEV. 958.86 P.K. NAIL IN E. CURB  
 OTTAWA 2' S. OF N.P.L. EMERSON  
 SCHOOL PROPERTY.  
 F.B. 641/1  
 SCALES: HOR. 1"=50'  
 VERT. 1"=5'



SCALE: 1"=50'

NOTE:  
 LOCATE WYES IN FIELD.



REVISIONS		CITY OF RIVERSIDE CALIFORNIA DEPARTMENT OF PUBLIC WORKS	
MARK	DATE		DESCRIPTION
*	5-18-59	As Built, H.B. 111	LAMBERT TRACT NO. 1 SANITARY SEWER DISTRICT INCLUDES WELLE SLEY WAY, VASSAR DRIVE HOLYOKE PLACE & CHICAGO AVE.

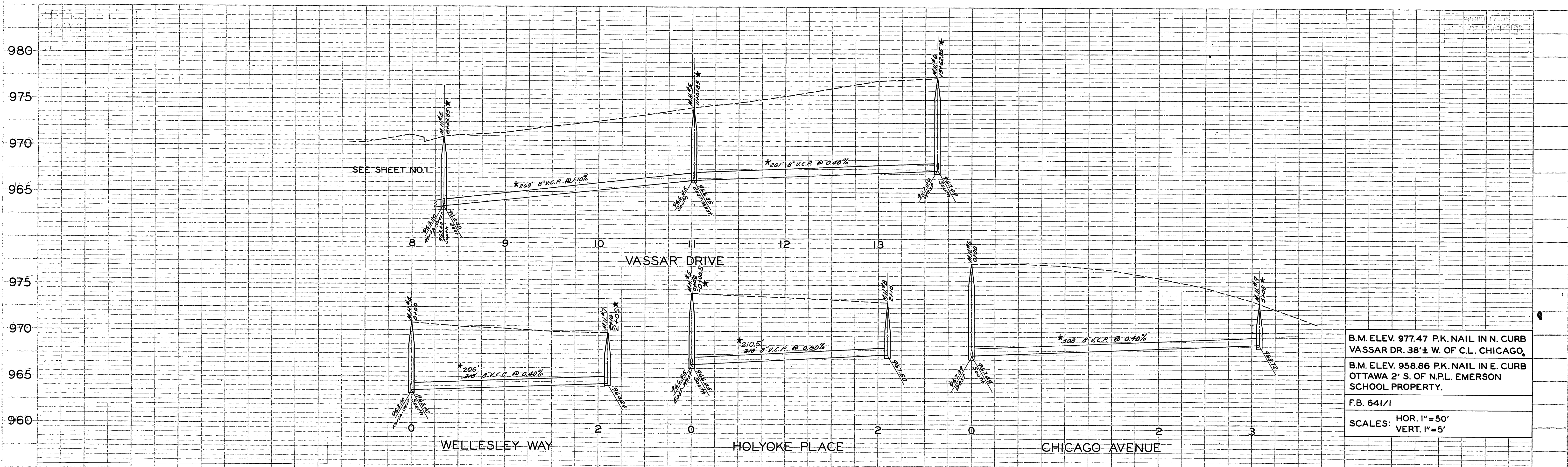
  

DESIGNED BY: <i>[Signature]</i>	CHECKED BY: <i>[Signature]</i>	APPROVED BY: <i>[Signature]</i>
DRAWN BY: <i>[Signature]</i>		DIRECTOR OF PUBLIC WORKS
RECOMMENDED BY: <i>[Signature]</i>	DATE: Dec 5, 1958	

**S-118**  
 SHEET 1 OF 2

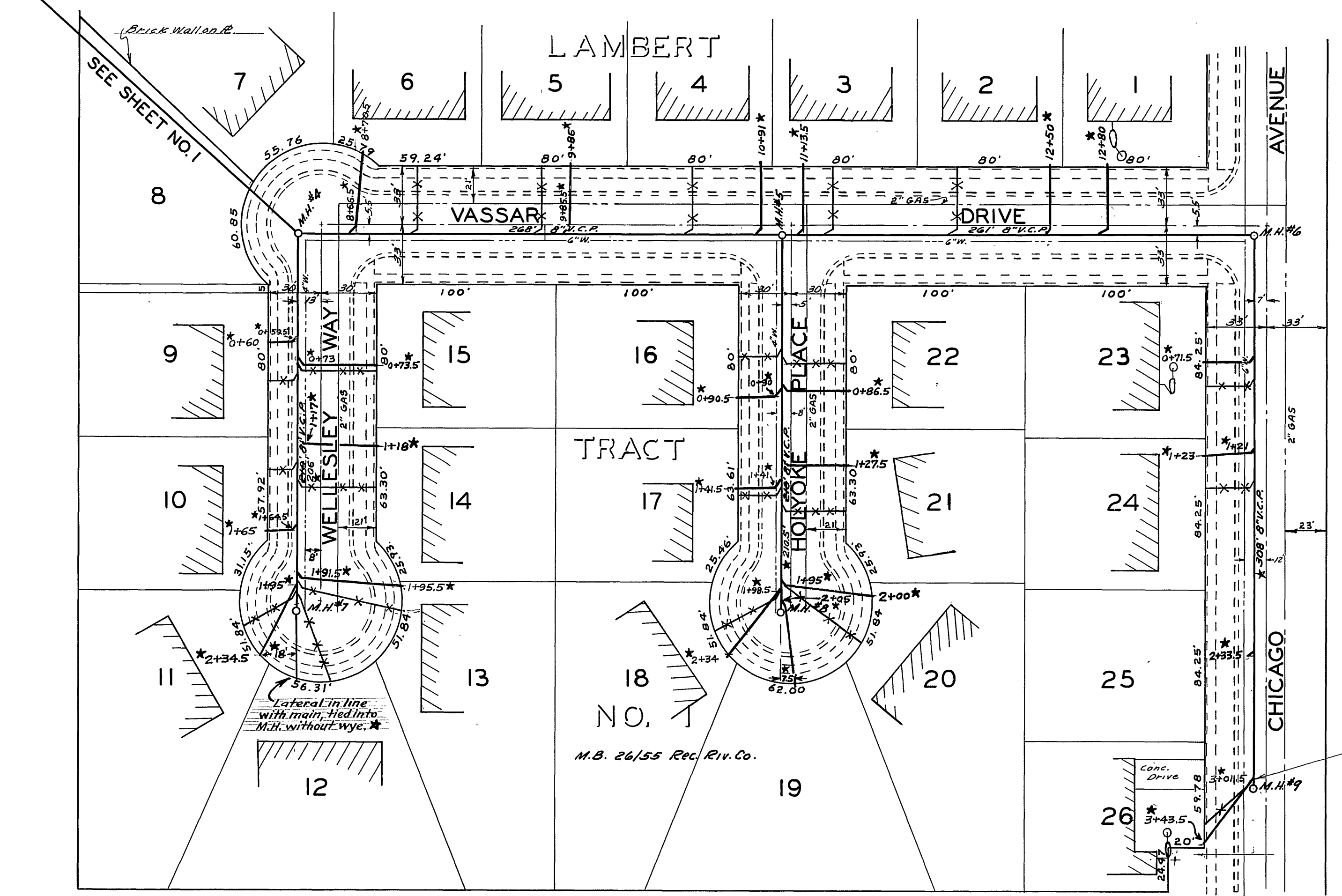
PROJECT NO.	DATE
NO.	

PROJECT NO.	DATE
NO.	



B.M. ELEV. 977.47 P.K. NAIL IN N. CURB VASSAR DR. 38' ± W. OF C.L. CHICAGO,  
 B.M. ELEV. 958.86 P.K. NAIL IN E. CURB OTTAWA 2' S. OF N.P.L. EMERSON SCHOOL PROPERTY.  
 F.B. 641/1  
 SCALES: HOR. 1" = 50'  
 VERT. 1" = 5'

PROFILE	REVISION	DATE
DATE 1-10-48	BY J.M.H.	
PROJECT NO. 238-10	CHECKED	
SHEET NO. 2 OF 2	DATE	



SCALE: 1" = 50'

- CONSTRUCTION NOTES:
1. LOCATE WYES AND LATERALS IN FIELD.
  2. M.H.'S TO BE CONSTRUCTED AS PER RIV. STD. 500

NOTE: CHECK WATER LINE DEPTH BEFORE LAYING WYE.

REVISIONS		CITY OF RIVERSIDE CALIFORNIA DEPARTMENT OF PUBLIC WORKS	
MARK	DATE	DESCRIPTION	
★	5-19-59	As Built H.B. 111	

LAMBERT TRACT NO. 1  
 SANITARY SEWER DISTRICT  
 INCLUDES  
 WELLESLEY WAY, VASSAR DRIVE  
 HOLYOKE PLACE & CHICAGO AVE.

APPROVED BY: *Francis J. Kopfer*  
 DIRECTOR OF PUBLIC WORKS  
 DATE: Dec 5, 1948

**S-118**  
 SHEET 2 OF 2

PLAN	REVISION	DATE
DATE 1-10-48	BY J.M.H.	
PROJECT NO. 238-10	CHECKED	
SHEET NO. 2 OF 2	DATE	