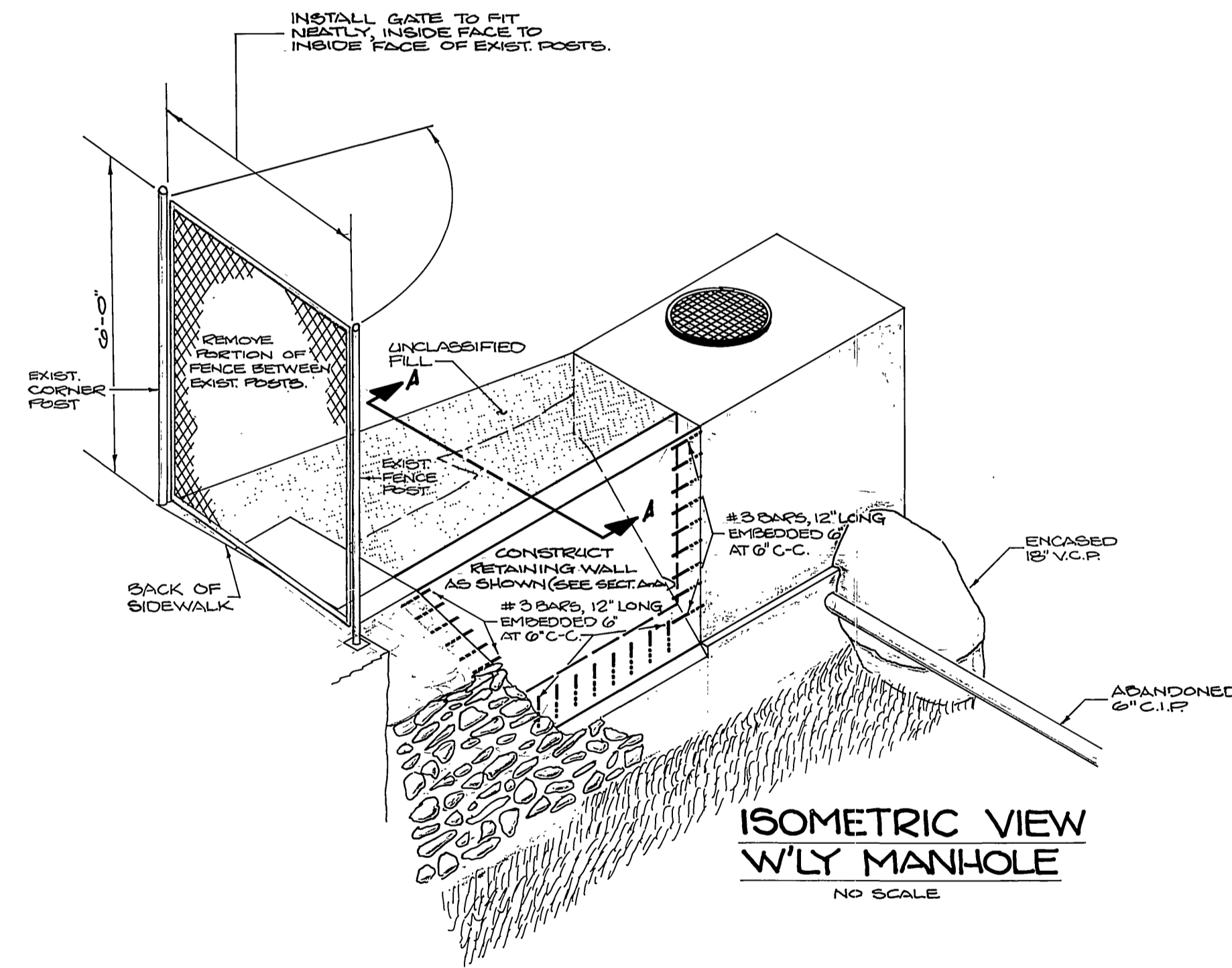
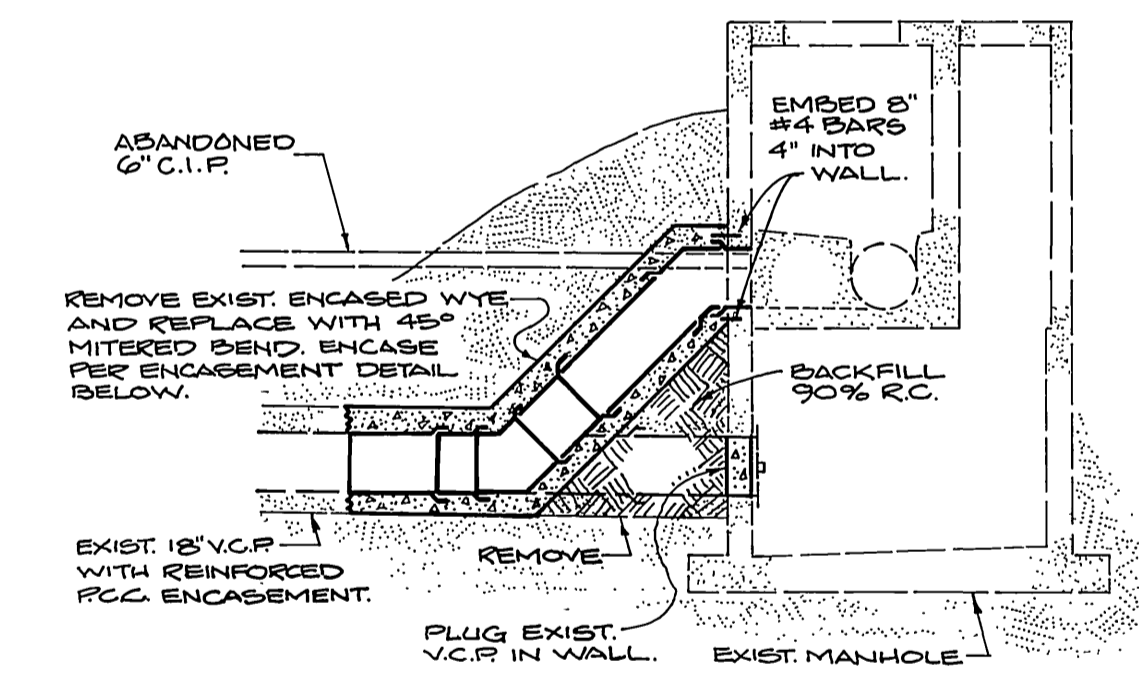


GENERAL CONSTRUCTION NOTES

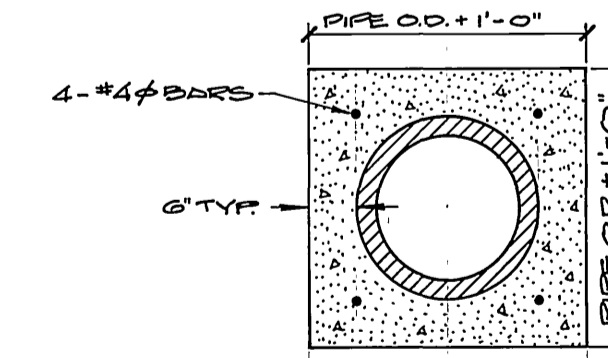
- 1 ALL EXISTING IMPROVEMENTS TO BE REMOVED SHALL BE AS DIRECTED BY THE ENGINEER.
- 2 SEE CITY OF RIVERSIDE STANDARD DRAWINGS 1, 2, & 3 FOR TPO LEGEND, STANDARD ABBREVIATIONS AND SHADING.
- 380 M MODIFICATION OF EXISTING FENCE AND INSTALLATION OF GATE SHALL BE ACCORDING TO CITY OF RIVERSIDE STANDARD DRAWING (MODIFIED). THE TERMINAL SECTION ADJACENT TO THE GATE SHALL BE BRACED.



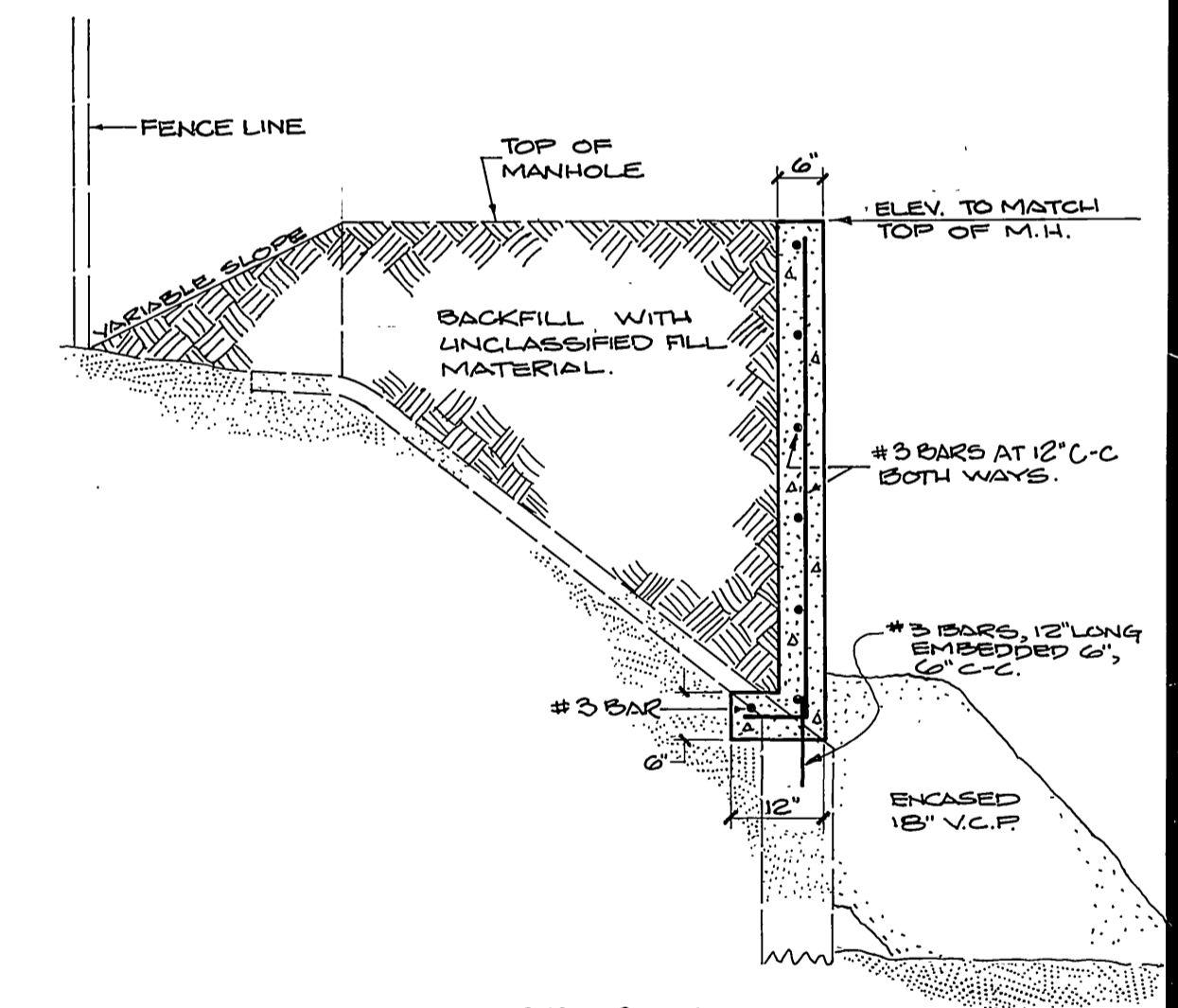
ISOMETRIC VIEW
W/ LY MANHOLE
NO SCALE



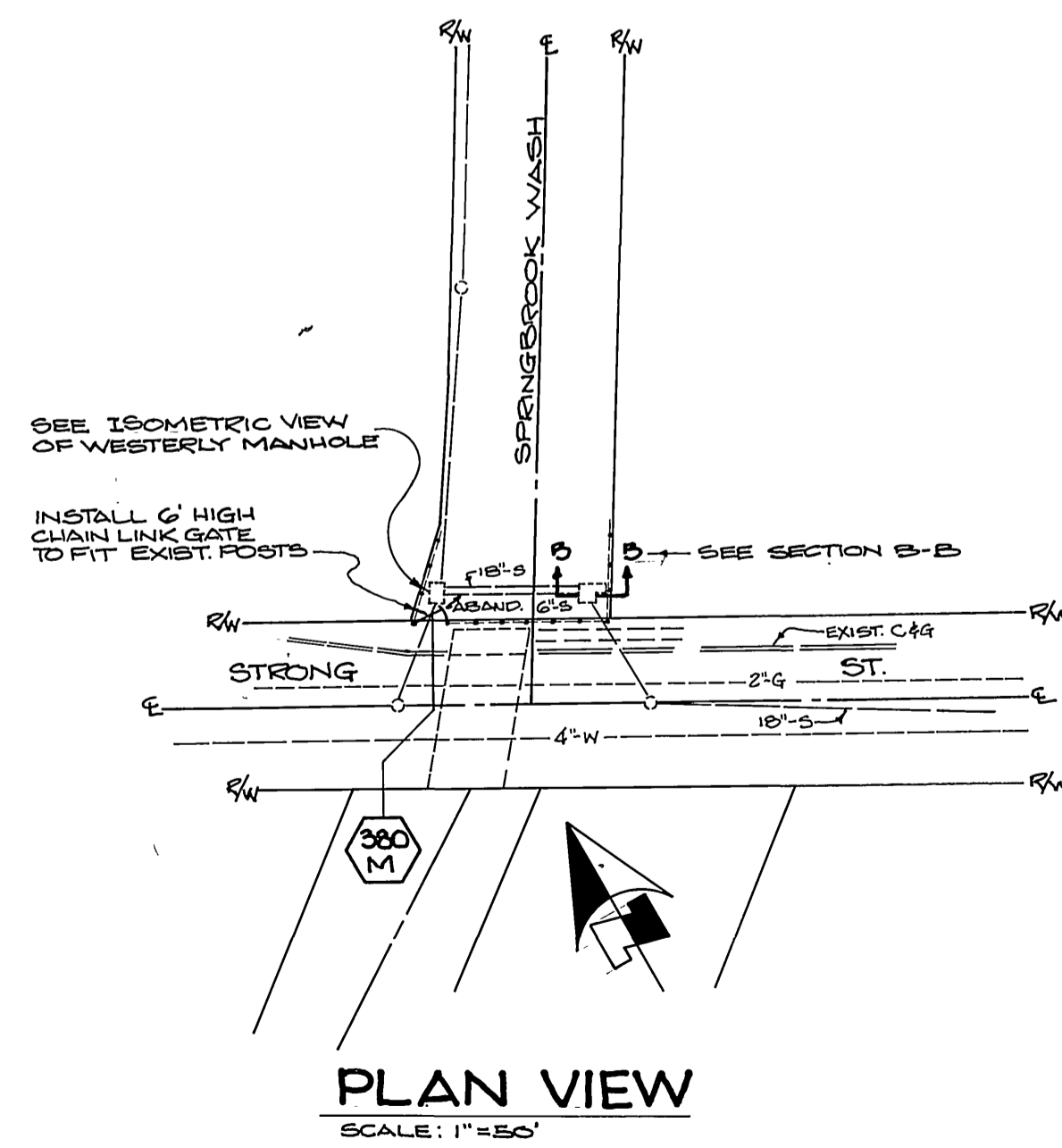
SECTION B-B
SCALE: 1"=5'



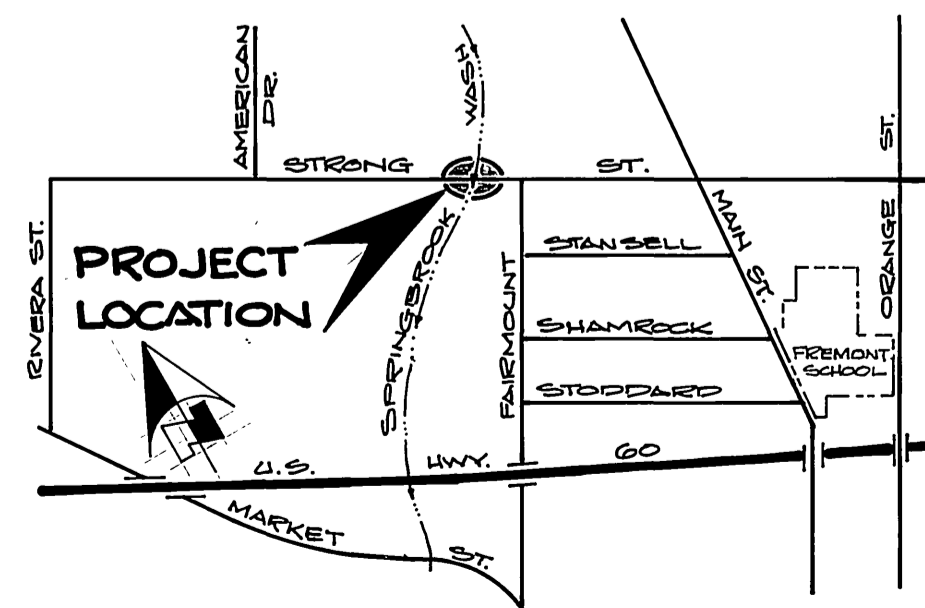
PIPE ENCASEMENT DETAIL
SCALE: 1"=2'



SECTION A-A
SCALE 1"=2'



PLAN VIEW
SCALE: 1"=50'



PROJECT LOCATION MAP
SCALE: 1"=1000'

CITY OF RIVERSIDE PUBLIC WORKS DEPARTMENT				APPROVED BY	DATE
				PRINCIPAL ENGINEER <i>[Signature]</i>	9/23/01
MARK	REVISIONS	APPR.	DATE	APPROVED BY	DATE
DESIGNED BY	DRAWN BY	CHECKED BY		PUBLIC WORKS DIRECTOR <i>[Signature]</i>	9/23/01

* AS BUILT SK 6/3/02	INDEXED - BLD
ACCOUNT NO. 32-BTT-645	
STRONG ST. SIPHON	5-1279
AT SPRINGBROOK WASH	SHEET 1 OF 1
HORIZ. SCALE: 1"=AS SHOWN VERT. SCALE: 1"=AS SHOWN	