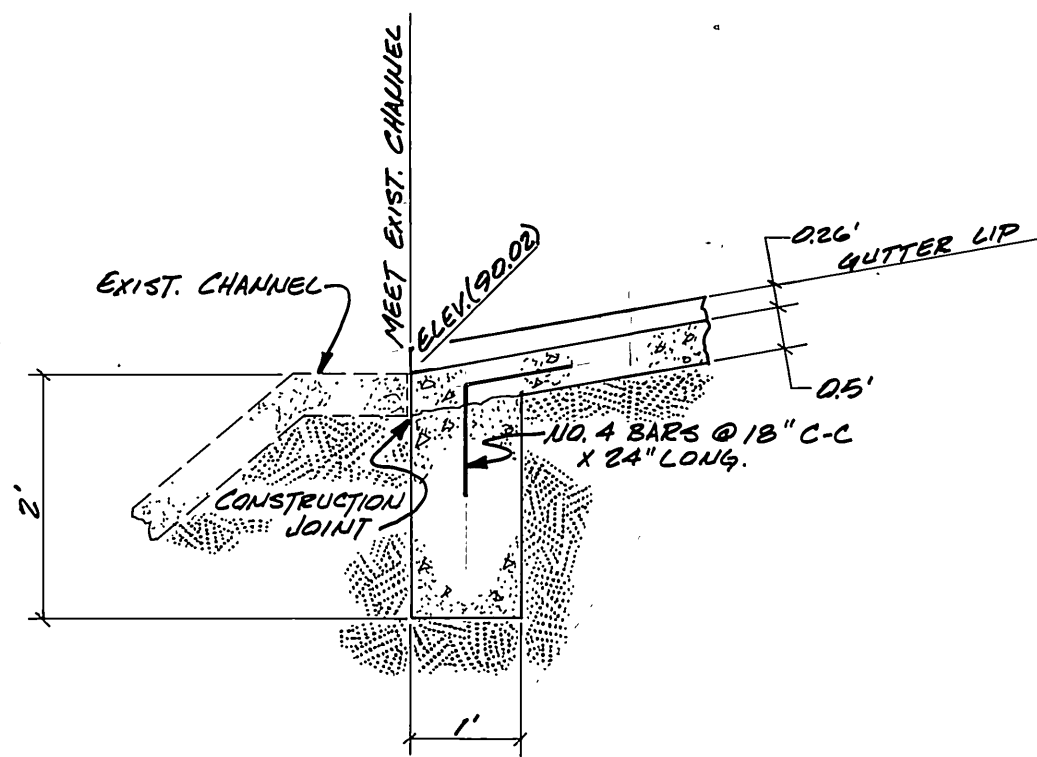
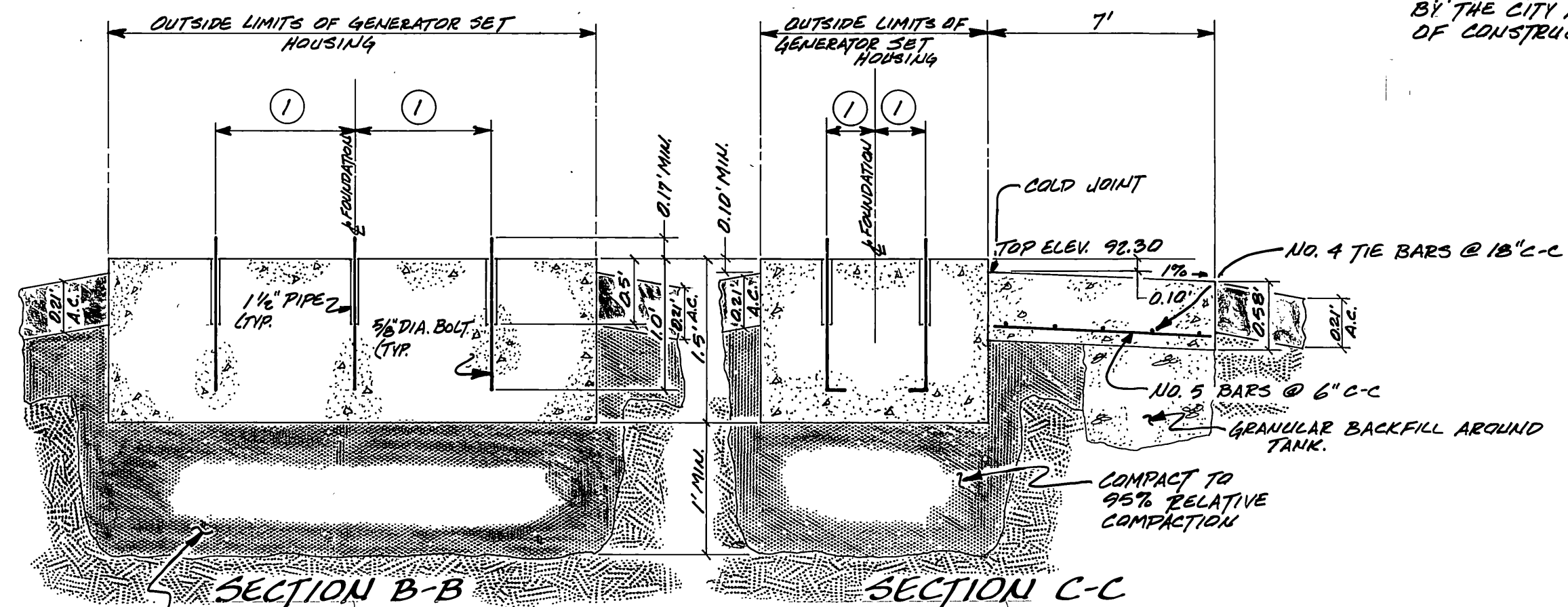


LOCATION MAP
SCALE: 1"=1000'



SECTION A-A
CUT-OFF WALL SECTION
NTS

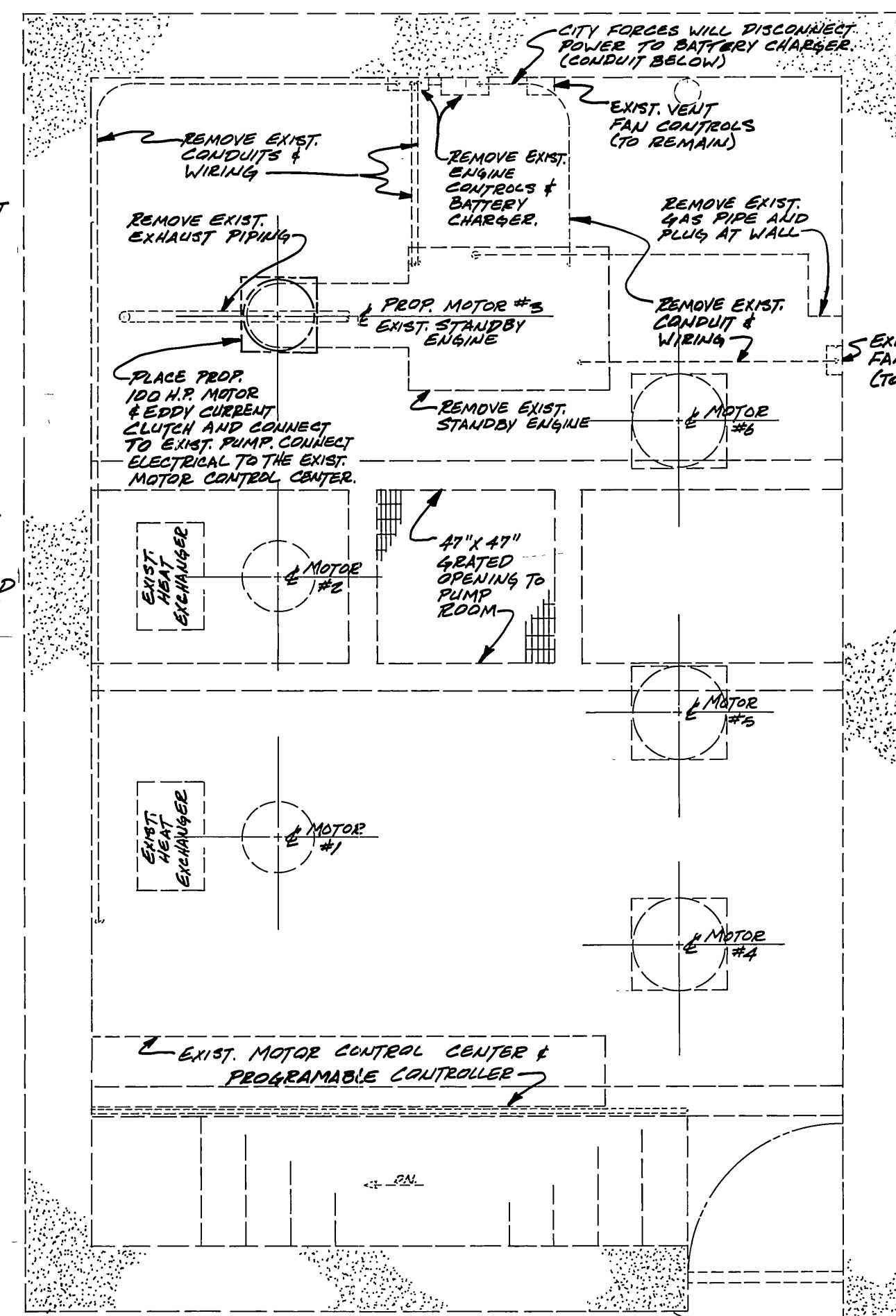


FOUNDATION DETAIL
(FOR GENERATOR SET)
NTS

①-DIMENSION WILL BE DETERMINED BY THE MANUFACTURER OF THE GENERATOR SET.

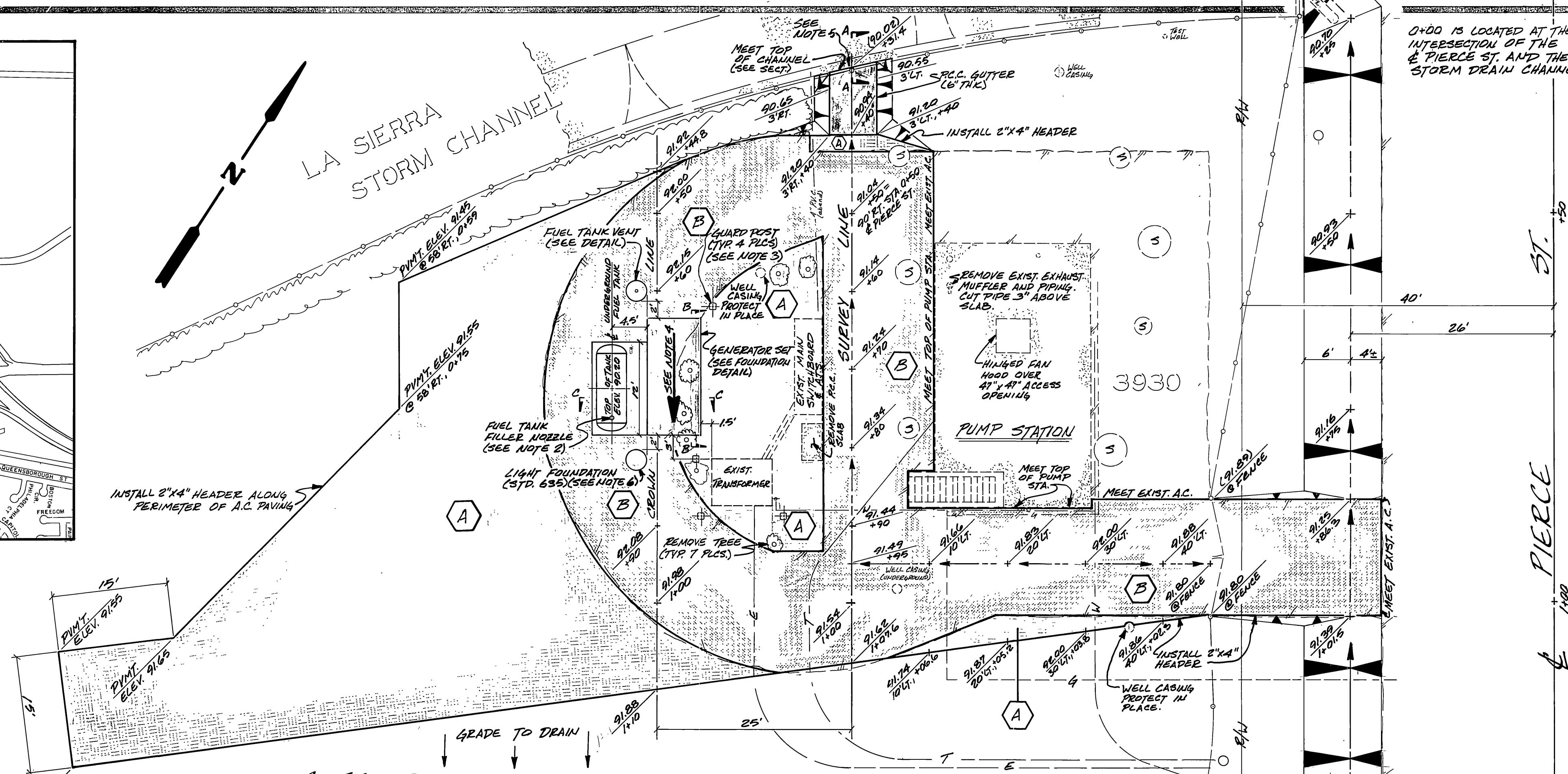
NOTES:
1. ORIENTATION AND CONSTRUCTION OF ALL PLUMBING REQUIRED IN THE FUEL STORAGE AND SUPPLY SYSTEMS SHALL BE PERFORMED BY THE CONTRACTOR.
2. PLACE FILLER NOZZLE DIRECTLY OVER INLET OF TANK. GRADE CONCRETE SLAB AWAY FROM NOZZLE.
3. INSTALL GUARD POSTS IN THE SAME MANNER AS THE INTERMEDIATE POST SHOWN ON STD. 180.
4. THE RADIATOR AND EXHAUST SHALL BE ORIENTED IN SUCH A WAY AS TO DISEMPOWER THE MAJORITY OF THEIR NOISE TO BE EMITTED IN THE DIRECTION SHOWN ON THE PLANS.
5. REMOVE A PORTION OF THE FENCE DURING CONSTRUCTION OF THE HEADWALL & GUTTER. WHEN THE FENCE IS REPLACED PLACE A POST ON EACH SIDE OF THE GUTTER.
6. PLACE CONDUIT BETWEEN MAIN SWITCHBOARD AND LIGHT FOUNDATION. BOLT PATTERN WILL BE PROVIDED BY THE CITY AT THE TIME OF CONSTRUCTION.

SITE PLAN
SCALE: 1"=10'



MOTOR ROOM PLAN
SCALE: 1"=4'

NOTE: ONLY CONDUITS AND PIPING PERTINENT TO THIS PROJECT ARE SHOWN.

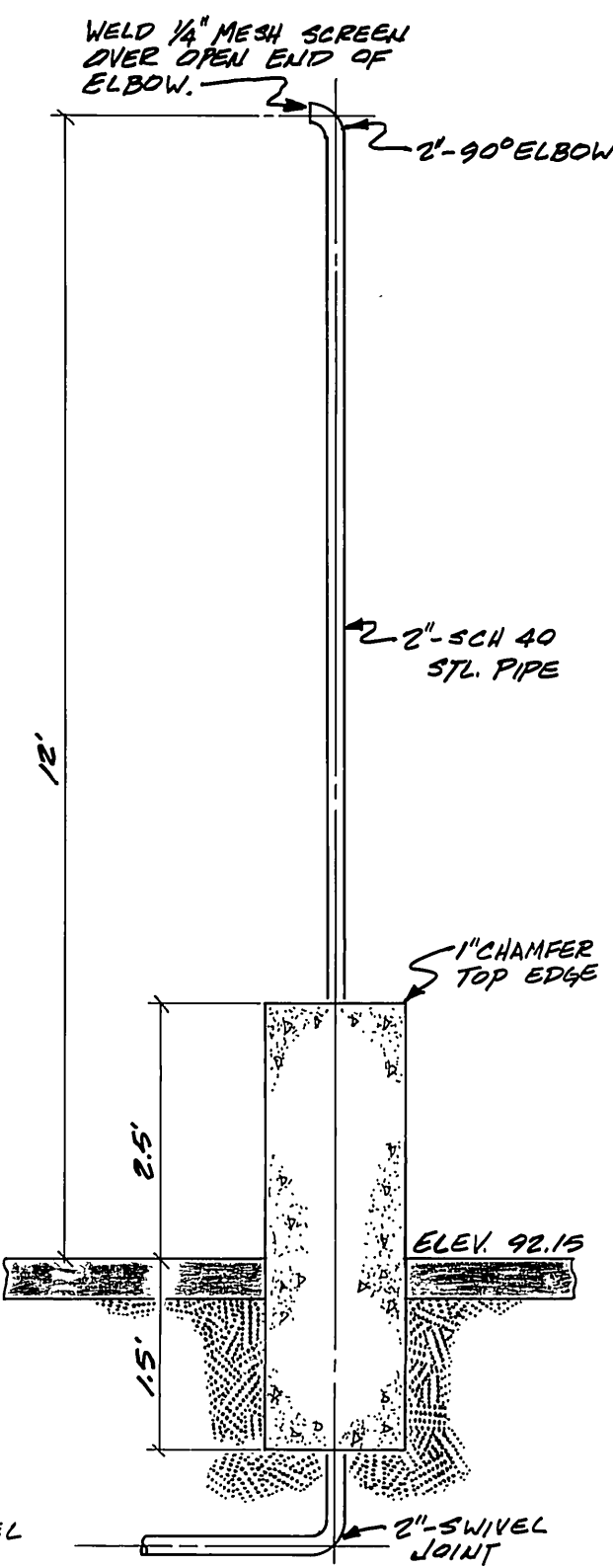


CONSTRUCTION LEGEND

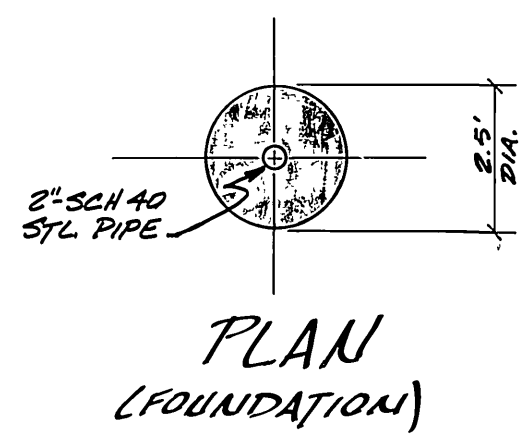
- (A) - CONSTRUCT STRUCTURAL SECTION OF 0.21' A.C. OVER 0.70' BASE.
- (B) - REMOVE EXISTING A.C. PAVEMENT AND REPLACE WITH STRUCTURAL SECTION OF 0.21' A.C. OVER 0.70' BASE.

GENERAL NOTES

- IN MARCH OF 1983 THE GROUND WATER SURFACE WAS FOUND TO BE AT AN APPROXIMATE ELEVATION OF 684.9.
- GALVANIZED FUEL PIPING AND FITTINGS SHALL NOT BE ALLOWED ON THIS PROJECT.



VENT PIPE DETAIL
NTS



PLAN (FOUNDATION)

<p>CITY OF RIVERSIDE PUBLIC WORKS DEPARTMENT</p>				<p>PIERCE ST. SEWAGE PUMP STATION EMERGENCY GENERATOR</p>		<p>ACCOUNT NO. 52-577-548 5-1306 SHEET 1 OF 1</p>	
<p>APPROVED BY: [Signature] DATE: 4/19/83</p>		<p>APPROVED BY: [Signature] DATE: 4/28/83</p>		<p>DESIGNED BY: [Signature] DRAWN BY: [Signature] CHECKED BY: [Signature]</p>		<p>HORIZ. SCALE: 1"=AS SHOWN</p>	