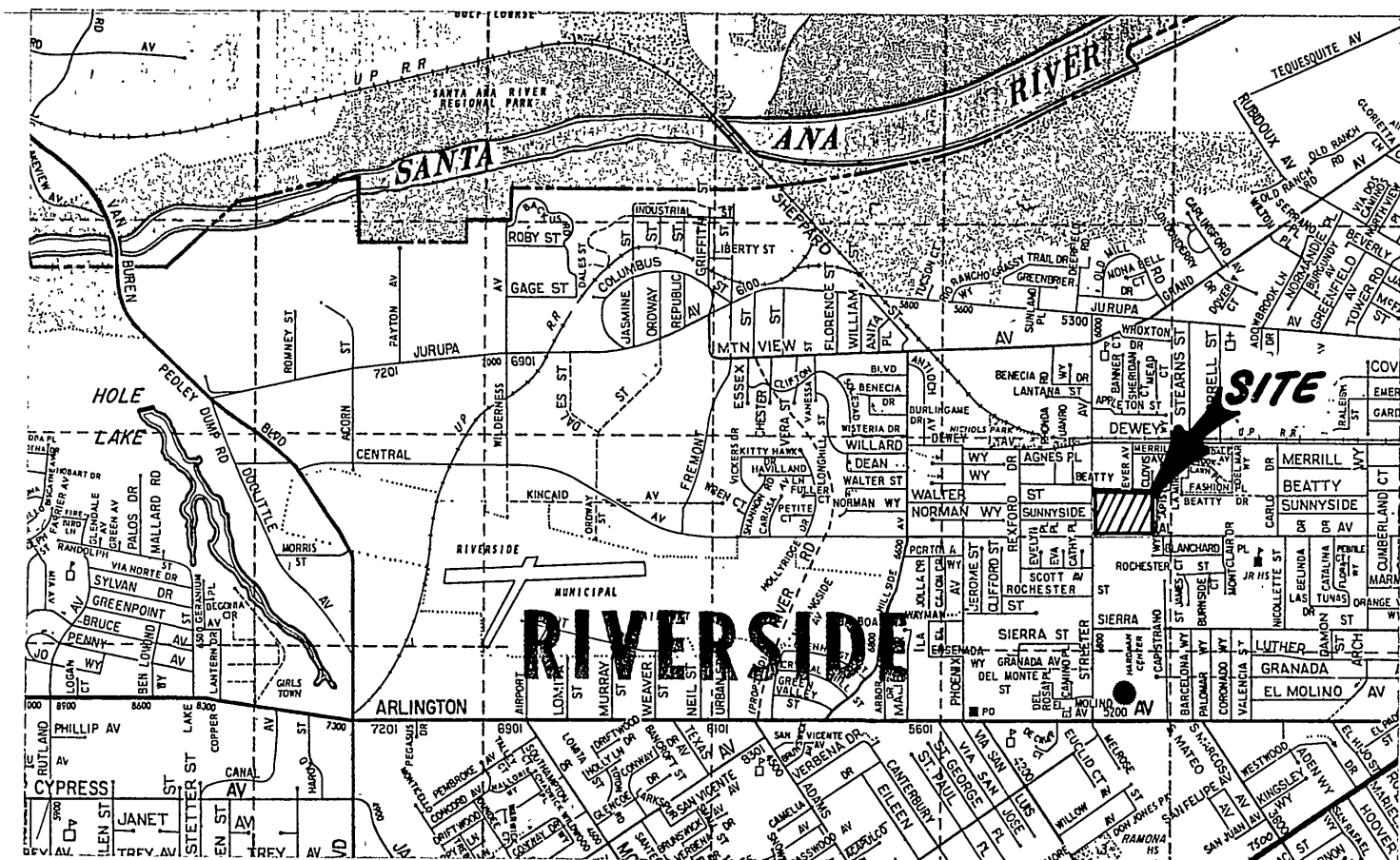


INDEX MAP
SCALE: 1" = 200'

- CONSTRUCTION NOTES:**
- ① CONSTRUCT 8" V.C.P. SEWER MAIN
 - ② CONSTRUCT 4" V.C.P. HOUSE LATERALS PER C/R STD. NO. 502. EXISTING MAINS TO BE CORE DRILLED & SADDLED.
 - ③ CONSTRUCT M.H. PER CITY OF RIVERSIDE STANDARD NO. 500.
 - ④ ENCASE SEWER LATERAL 4.5' EACH SIDE OF WATER MAIN WITH TYPE 'C' CONC. ENCASEMENT AS PER PUBLIC UTILITY DWG. C.W.D. 023. (USE TYPE 'B' IF SEWER LATERAL CROSSES OVER WATER MAIN)

- GENERAL NOTES:**
1. IT SHALL BE THE RESPONSIBILITY OF THE CONTRACTOR TO CLEAR THE RIGHT OF WAY IN ACCORDANCE WITH THE PROVISIONS OF LAW AS IT AFFECTS EACH UTILITY INCLUDING IRRIGATION LINES AND APPURTENANCES AND AT NO COST TO THE CITY.
 2. CONSTRUCTION SHALL BE IN ACCORDANCE WITH THE CITY OF RIVERSIDE DEPARTMENT OF PUBLIC WORKS, STANDARD DRAWINGS, AND THE STANDARD SPECIFICATIONS FOR PUBLIC WORKS CONSTRUCTION, 1982 EDITION.
 3. LOCATION OF LATERALS TO BE DETERMINED IN THE FIELD AT THE DIRECTION OF THE OWNER. AVOID CONFLICT WITH PROPOSED AND/OR EXISTING FACILITIES.
 4. CONTRACTOR IS TO VERIFY EXISTING SEWER ELEVATION PRIOR TO CONSTRUCTION.
 5. THE SEWER CONTRACTOR SHALL ADJUST MANHOLES TO FINAL GRADE AFTER PAVING IS COMPLETED.
 6. A PLUG SHALL BE INSTALLED AND WILL REMAIN IN PLACE WHERE THE NEW SEWER CONNECTS WITH THE EXISTING SEWER UNTIL THE NEW SEWER IS ACCEPTED BY THE CITY.
 7. THE PRIVATE ENGINEER SIGNING THESE PLANS IS RESPONSIBLE FOR THE ACCURACY AND ACCEPTABILITY OF THE WORK HEREON. IN THE EVENT OF DISCREPANCIES ARISING DURING CONSTRUCTION THE PRIVATE ENGINEER SIGNING THE PLANS SHALL BE RESPONSIBLE FOR DETERMINING AN ACCEPTABLE SOLUTION AND REVISING THE PLANS FOR APPROVAL BY THE CITY.
 8. NO FINISHED FLOOR ELEVATION SHALL BE LESS THAN 2' ABOVE THE SEWER FLOW LINE AT POINT OF CONNECTION WITHOUT HAVING A PROPER BACKWATER VALVE INSTALLED IN THE LATERAL.
 9. SEWER LINE ENCASEMENT SHALL CONFORM TO CITY WATER DIVISION STD'S CWD-022 & CWD-023.



VICINITY MAP
NOT TO SCALE

BENCH MARK: 4'-5" O
TOP GLASS CAP IN WELL STAMPED
4'-5" O ON S STREETEER AVE, 10.00'
SOUTH INTERSECTION CENTRAL AVE
ELEVATION: 777.92

Contractor agrees that he shall assume sole and complete responsibility for job site conditions during the course of construction of this Project, including safety of all persons and property; that this requirement shall apply continuously and not be limited to normal working hours; and that the Contractor shall defend, indemnify and hold the Owner and the Engineer harmless from any and all liability, real or alleged, in connection with the performance of work on this Project, excepting for liability arising from the sole negligence of the Owner or the Engineer.



CITY OF RIVERSIDE
DOMESTIC SYSTEM

APPROVED BY:
Fred Lamb 1/12/83
WATER SYS. MGR. DATE

J. F. DAVIDSON ASSOCIATES
CIVIL ENGINEERS - SURVEYORS - PLANNERS
RIVERSIDE, CALIFORNIA

APPROVED BY: *John W. Century* DATE 12/30/77
I.R.E. No. 17750

W.O. 5603-t FOR: GREGORY W. SWEENEY F.B. 1032/130

MARK	REVISIONS	APPR.	DATE

DESIGNED BY: A.W. DRAWN BY: P.M. CHECKED BY: M.B. 2/2

CITY OF RIVERSIDE, CALIFORNIA
DEPARTMENT OF PUBLIC WORKS

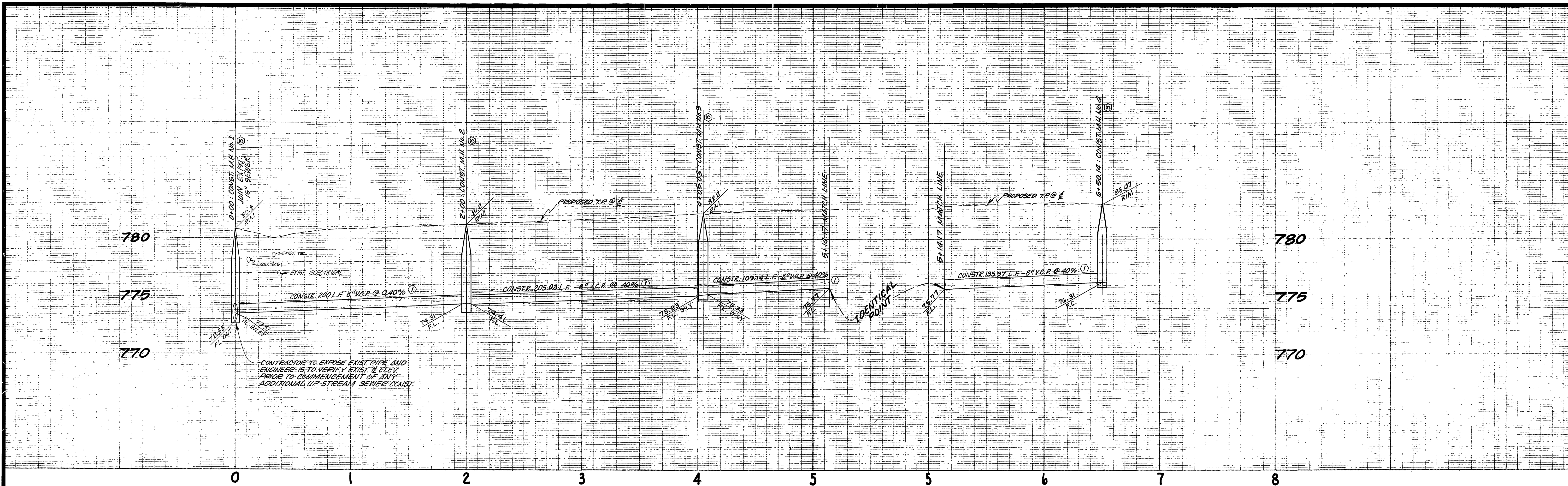
APPROVED BY: *[Signature]* DATE 2/7/83
PRINCIPAL ENGINEER
PARK DEPARTMENT
TRAFFIC DIVISION
CHIEF P. W. ENGR.

TITLE SHEET

SEWER PLAN
INDEX & NOTES
TRACT 10019

HORIZ. SCALE: 1" = ... VERT. SCALE: 1" = ...

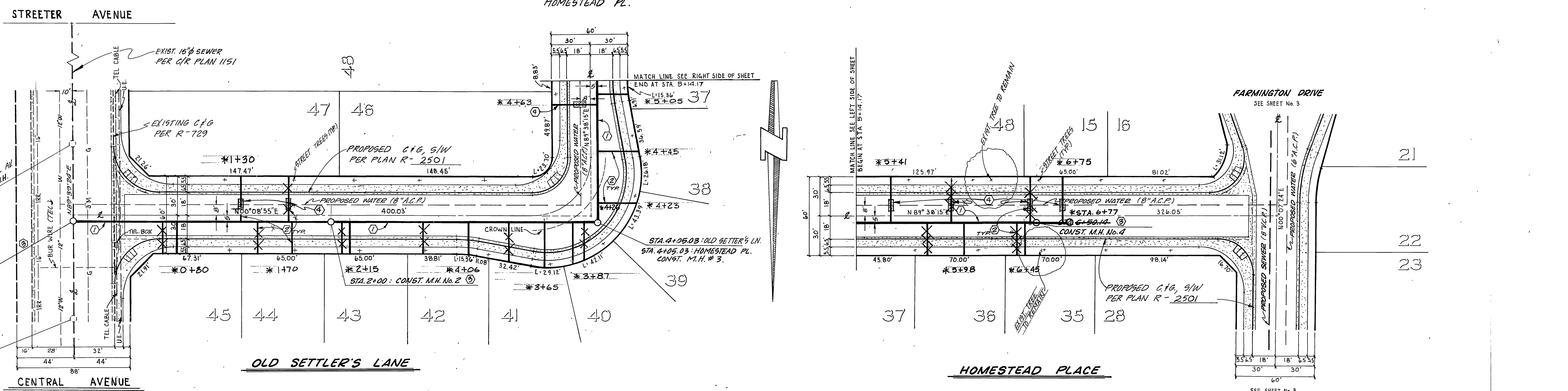
INDEXED UP
PROJECT NO. S-1312
SHEET 1 OF 3
FILE NO. 5584



**CITY OF RIVERSIDE
PUBLIC UTILITIES DEPT.
ELECTRIC DIVISION**

LOCATIONS OF EXISTING STREET LIGHTING AND ELECTRIC FACILITIES SHOWN ON THE PLANS ARE APPROXIMATE ONLY

BEFORE EXCAVATING CALL 714-787-7381 FOR FIELD LOCATION AND CONFIRMATION OF FACILITIES



-CAUTION-
PACIFIC TELEPHONE
CABLES UNDERGROUND
BEFORE EXCAVATING

CALL COLLECT:
7:30 A.M. to 5 P.M. & Holidays
After Hours & Holidays
Orange County 714-633-0811 714-547-6606
Riverside County 714-684-0071 714-547-6606
Inyo County 714-684-0071 714-547-6606
San Bernardino County 714-684-0071 714-547-6606
Los Angeles County 213-621-3111 24 HOUR SERVICE
Ventura County 714-298-0595 714-232-0027
San Diego County 714-298-0595 714-232-0027

FOR FREE CABLE LOCATING SERVICE

Contractor agrees that he shall assume sole and complete responsibility for job site conditions during the course of construction of this Project, including safety of all persons and property; that this requirement shall apply continuously and not be limited to normal working hours; and that the Contractor shall defend, indemnify and hold the Owner and the Engineer harmless from any and all liability, real or alleged, in connection with the performance of work on this Project, excepting for liability arising from the sole negligence of the Owner or the Engineer.

CITY OF RIVERSIDE PUBLIC UTILITIES ELECTRICAL DIVISION <i>R. J. Anderson</i> CHIEF UTILITIES ENGINEER, ELECTRICAL DATE 1/23/82	PACIFIC TELEPHONE APPROVED BY: <i>L. A. Bradley</i> PUBLIC IMPROVEMENT ENGINEER DATE 1/23/82	SOUTH. CALIF. GAS CO. APPROVED BY: <i>E. P. Duke</i> DATE 1/23/82
--	---	---

**CITY OF RIVERSIDE
DOMESTIC SYSTEM**

APPROVED BY:
Frank Long
WATER SYS. MGR.
DATE 1/23/82

J. F. DAVIDSON ASSOCIATES
CIVIL ENGINEERS - SURVEYORS - PLANNERS
RIVERSIDE, CALIFORNIA

APPROVED BY: *John W. Carty* DATE 12/30/77
/R.E. No. 177501

W.O. 5203-2 FOR: GREGORY W. SWEANEY F.B.1023/130

**CITY OF RIVERSIDE, CALIFORNIA
DEPARTMENT OF PUBLIC WORKS**

APPROVED BY: *R. J. Anderson* DATE 1/23/82
PRINCIPAL ENGINEER
TRAFFIC DIVISION
CHIEF P. W. ENGR.

SEWER PLAN & PROFILE

PROJECT NO. **S-1312**

OLD SETTLER'S LANE & HOMESTEAD PLACE
TRACT No. 10019

SHEET **2** OF **3**

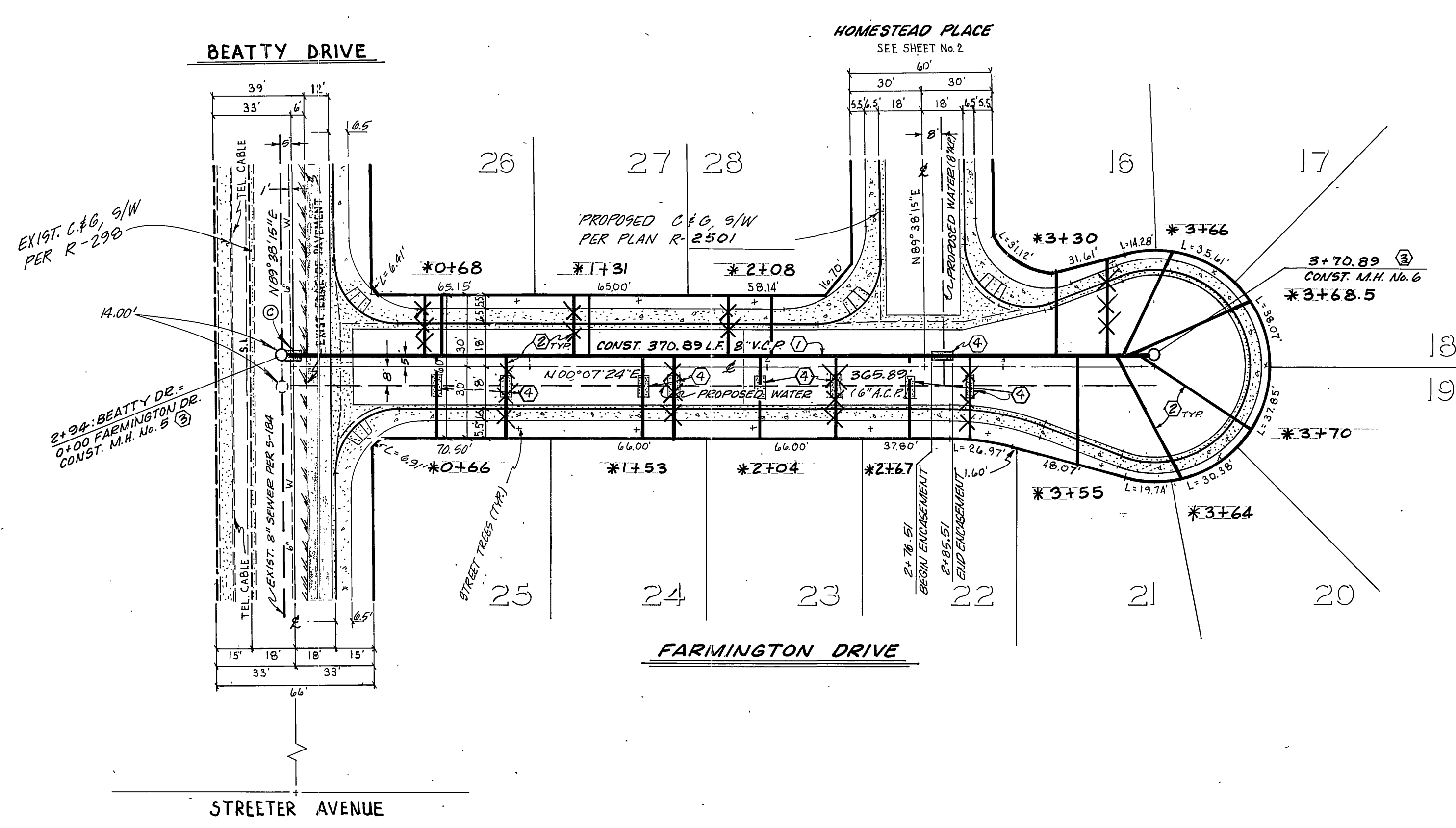
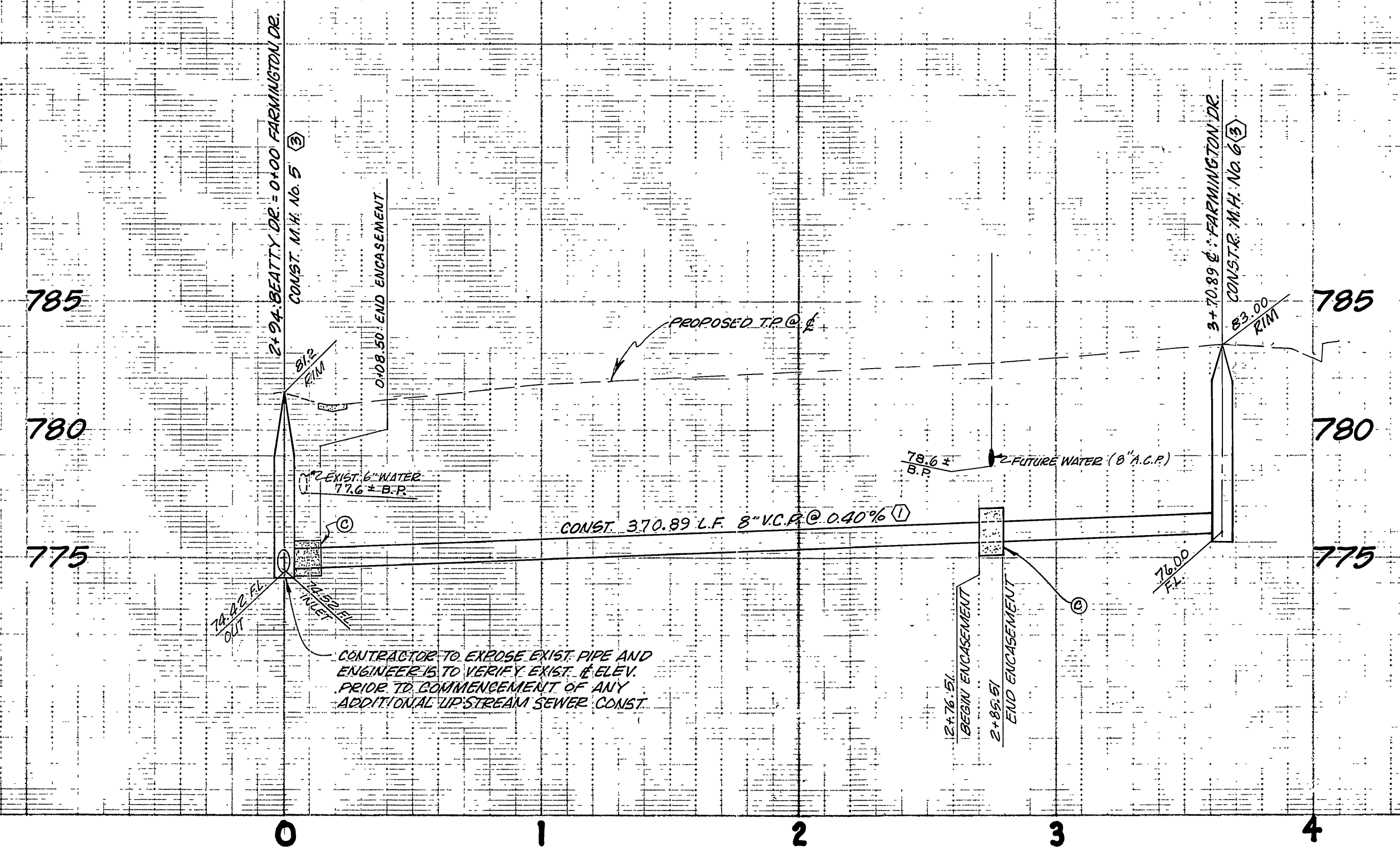
HORIZ. SCALE: 1" = 40' VERT. SCALE: 1" = 4'

FILE NO. 5584

FOR GENERAL NOTES AND CONSTRUCTION NOTES SEE SHEET 1.

B.M. H-5-C
TOP BRASS CAP IN WELL STAMPED H-5-C ON
E. STREETER AVE 1000' SO. INTERSECTION
CENTRAL AVE.
ELEV. 777.794

*As built 9-24-85 TL



FOR GENERAL NOTES AND CONSTRUCTION NOTES SEE SHEET 1.

B.M. H-5-C TOP BRASS CAP IN WELL STAMPED H-5-C ON & STREETER AVE 10.00' SO INTERSECTION CENTRAL AVE ELEV. 777.794

Contractor agrees that he shall assume sole and complete responsibility for job site conditions during the course of construction of this Project, including safety of all persons and property; that this requirement shall apply continuously and not be limited to normal working hours; and that the Contractor shall defend, indemnify and hold the Owner and the Engineer harmless from any and all liability, real or alleged, in connection with the performance of work on this Project, excepting for liability arising from the sole negligence of the Owner or the Engineer.

CITY OF RIVERSIDE DOMESTIC SYSTEM

APPROVED BY: *Fred Rantz* 1/19/83
WATER SYS. MGR. DATE

J. F. DAVIDSON ASSOCIATES
CIVIL ENGINEERS - SURVEYORS - PLANNERS
RIVERSIDE, CALIFORNIA

APPROVED BY: *John W. Davidson* DATE 1/23/83
R.E. No. 17750

MARK	REVISIONS	APPR.	DATE

DESIGNED BY: A.W. DRAWN BY: P.M. CHECKED BY: M.B. DATE: 1/24/83

CITY OF RIVERSIDE, CALIFORNIA DEPARTMENT OF PUBLIC WORKS

APPROVED BY: *[Signature]* DATE: 1/24/83
PRINCIPAL ENGINEER
PARK DEPARTMENT
TRAFFIC DIVISION
CHIEF P. W. ENGR.

*As built 9-24-85 T.L.	INDEXED UP
SEWER PLAN & PROFILE	PROJECT NO.
FARMINGTON DRIVE	S-1312
TRACT No. 10019	SHEET 3 OF 3
HORIZ. SCALE: 1" = 40'	VERT. SCALE: 1" = 4'
FILE NO. 5584	

92-1295