

LOCATION MAP  
NO SCALE.

**GENERAL NOTES:**

1. THE PRIVATE ENGINEER SIGNING THESE PLANS IS RESPONSIBLE FOR THE ACCURACY AND ACCEPTABILITY OF THE WORK HEREON. IN THE EVENT OF DISCREPANCIES ARISING DURING CONSTRUCTION, THE PRIVATE ENGINEER SHALL BE RESPONSIBLE FOR DETERMINING AN ACCEPTABLE SOLUTION, AND REVISING THE PLAN FOR APPROVAL BY THE CITY.
2. CONSTRUCTION SHALL BE IN ACCORDANCE WITH THE STANDARD SPECIFICATIONS FOR PUBLIC WORKS CONSTRUCTION 1982 EDITION AND THE CITY OF RIVERSIDE STANDARD DRAWINGS.
3. IT SHALL BE THE RESPONSIBILITY OF THE CONTRACTOR TO CLEAR THE RIGHT OF WAY IN ACCORDANCE WITH THE PROVISIONS OF THE LAW AS IT AFFECTS EACH UTILITY INCLUDING IRRIGATION LINES AND APPURTENANCES AND AT NO COST TO THE CITY.
4. PIPE SHALL BE BEDDED PER CASE I, STANDARD DRAWING No. 452, UNLESS OTHERWISE SPECIFIED ON THE PLANS.
5. LOCATION OF WYES AND LATERALS TO BE DETERMINED IN THE FIELD AT THE DIRECTION OF THE OWNER.
6. ALL STUBS AND LATERALS TO BE CONSTRUCTED IN ACCORDANCE WITH STANDARD DRAWING No. 562. STUBS SHALL BE PLUGGED AND CAPPED.
7. MANHOLE FRAMES AND COVERS TO BE SET AS NOTED IN PROFILES BY SEWER CONTRACTOR AFTER FINAL PAVING OF STREETS.
8. LATERALS ARE TO BE 4" V.C.P. AND EXTENDED TO PROPERTY LINE.
9. PRIOR TO CONSTRUCTION OF SEWER, CONTRACTOR IS TO EXPOSE THE EXISTING SEWER AND CONTACT THE ENGINEER FOR VERIFICATION OF EXISTING LOCATION AND ELEVATION.
10. PLUGS SHALL BE INSTALLED AND WILL REMAIN IN PLACE WHERE THE NEW SEWER CONNECTS WITH THE EXISTING SEWER UNTIL SUCH TIME AS THE NEW SEWER IS ACCEPTED BY THE CITY.
11. NO FINISHED FLOOR ELEVATION SHALL BE LESS THAN 6" ABOVE THE SEWER FLOW LINE AT POINT OF CONNECTION WITHOUT HAVING A PROPER BACKWATER VALVE INSTALLED IN THE LATERAL.
12. SEWER/WATER LINE ENCASEMENT SHALL CONFORM TO CITY WATER DIVISION STD'S CWD-022 AND CWD-023.

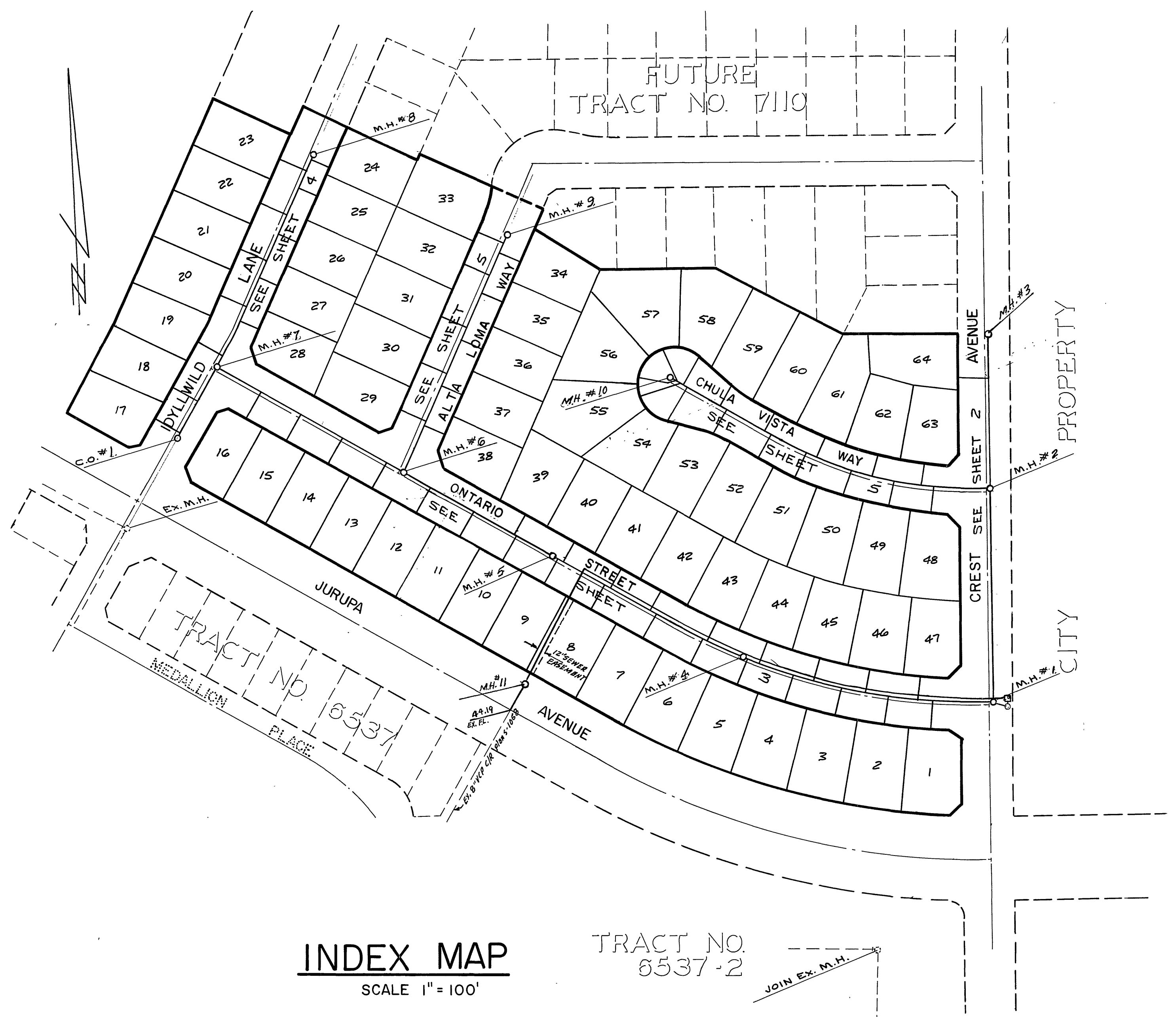
**NOTICE TO CONTRACTOR:**

THE EXISTENCE AND LOCATION OF UNDERGROUND UTILITY PIPES OR STRUCTURES SHOWN ON THESE PLANS ARE OBTAINED BY A SEARCH OF THE AVAILABLE RECORDS TO THE BEST OF OUR KNOWLEDGE THERE ARE NO EXISTING UTILITIES EXCEPT AS SHOWN ON THESE PLANS.

THE CONTRACTOR IS REQUIRED TO TAKE DUE PRECAUTIONARY MEASURES TO PROTECT THE UTILITY LINES SHOWN AND ANY OTHER LINES NOT OF RECORD OR NOT SHOWN ON THESE PLANS.

**SEWER FORCE MAIN NOTES**

1. CONTRACTOR SHALL FURNISH AND INSTALL THE 6" P.V.C. SEWER FORCE MAIN AS SHOWN ON THE DRAWINGS, WITH ALL NECESSARY FITTINGS AND THRUST BLOCKS.
2. TRENCHING AND BACKFILL SHALL CONFORM TO ALL THE APPLICABLE REQUIREMENTS OF THE CITY OF RIVERSIDE.
3. CONCRETE THRUST BLOCK AND ELBOW SHALL BE INSTALLED AT EVERY CHANGE OF DIRECTION IN ACCORDANCE WITH CITY OF RIVERSIDE REQUIREMENTS, WHETHER OR NOT SPECIFICALLY CALLED FOR OR SHOWN ON THE DRAWINGS.
4. SEWER FORCE MAIN SHALL BE 6" RIGID POLYVINYL CHLORIDE PIPE WITH A PRESSURE RATING OF 160 P.S.I. AND A MINIMUM WALL THICKNESS OF 0.173". PROVISIONS MUST BE MADE FOR CONTRACTION AND EXPANSION AT EACH JOINT WITH A RUBBER RING AND INTEGRAL THICKENED BELL AS PART OF EACH JOINT. PIPE SHALL BE MADE FROM CLEAN, VIRGIN, N.S.F. APPROVED CLASS 12454-A P.V.C. COMPOUND CONFORMING TO A.S.T.M. RESIN SPECIFICATION D-1784.



INDEX MAP  
SCALE 1" = 100'

TRACT NO. 6537-2

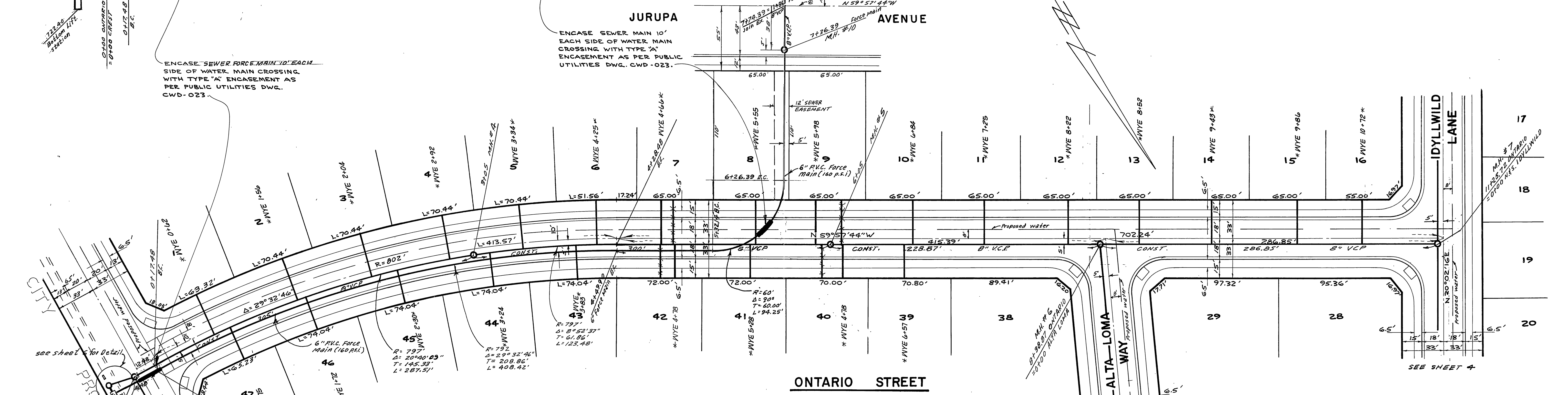
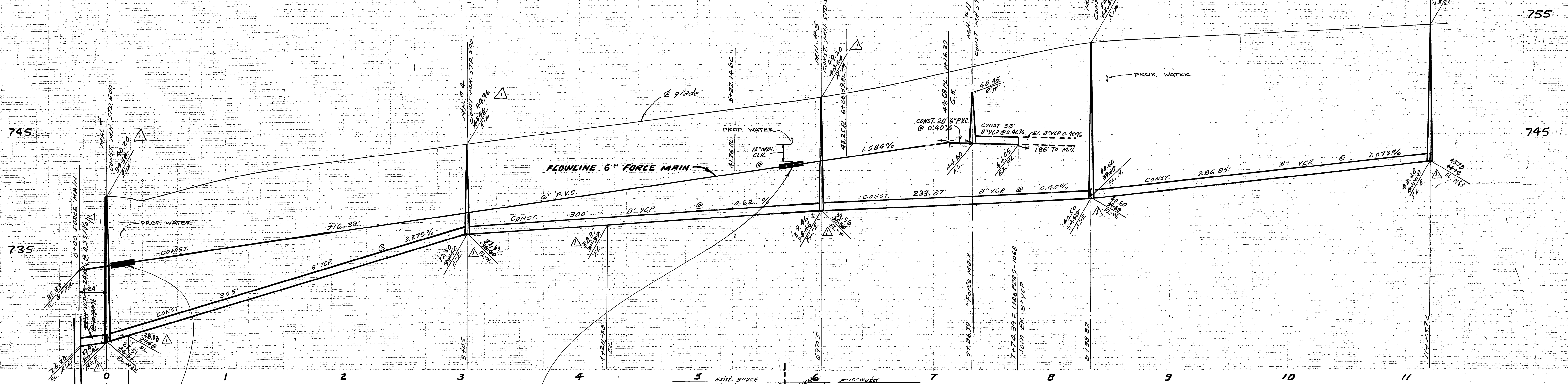
**BENCH MARK**

PK MAIL IN EAST CURB OF TYLER ST. ON E. GAYLORD AVE. PRODUCED PER C/R F.B. 706/1 ELEV. 778.21, USED FOR THIS PROJECT. (EQUALS ELEV. 778.09 ON CORRESPONDING DATUM) (REFER TO C/R PLANS: R-1918 & R-2054)

\* AS BUILT 6/85

ALBERT A. WEBB ASSOCIATES CIVIL ENGINEERS RIVERSIDE, CALIFORNIA APPROVED BY: <i>[Signature]</i> DATE: 9/27/17 R.E. No. 9876		CITY OF RIVERSIDE, CALIFORNIA PUBLIC WORKS DEPARTMENT APPROVED BY: <i>[Signature]</i> DATE: 5/16/18 DIRECTOR OF PUBLIC WORKS		SEWER PLAN & PROFILE TRACT NO. 7110-1 INDEX SHEET		ACCOUNT No. DRAWING NUMBER 5-1314 SHEET 1 OF 6	
CITY OF RIVERSIDE DOMESTIC SYSTEM APPROVED BY: <i>[Signature]</i> DATE: 4/18/18 WATER SYSTEMS MANAGER		MARK REVISIONS APPR. DATE DESIGNED BY: B.E.L. DRAWN BY: <i>[Signature]</i> CHECKED BY: <i>[Signature]</i> WCK		DATE: 6/2/18		SCALE: AS SHOWN 77-56-B	

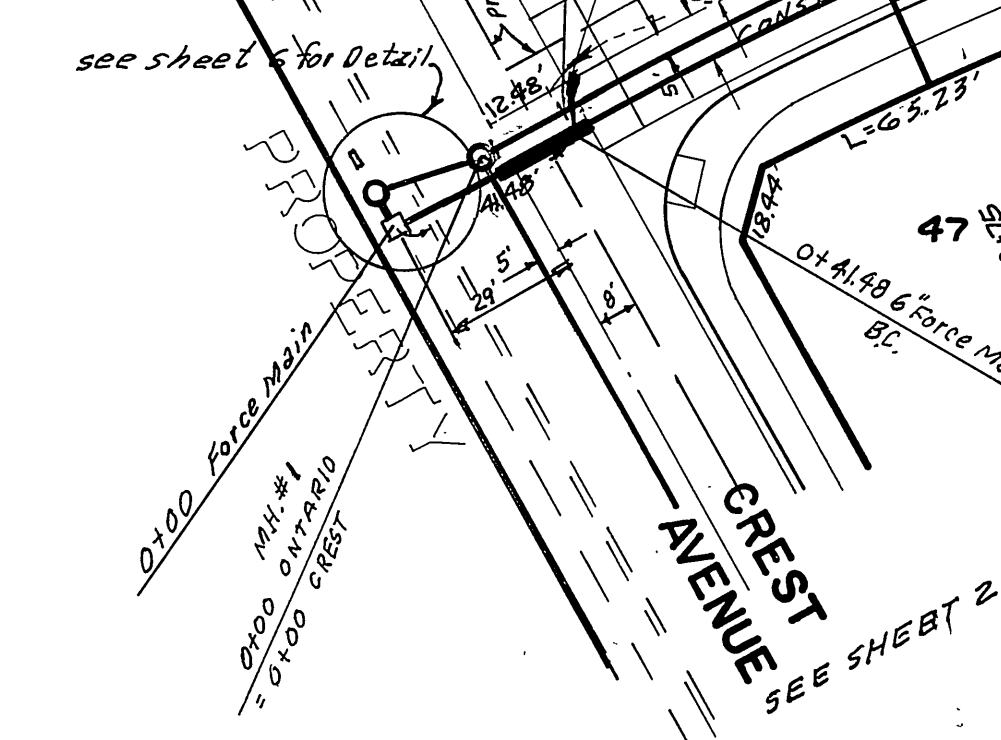




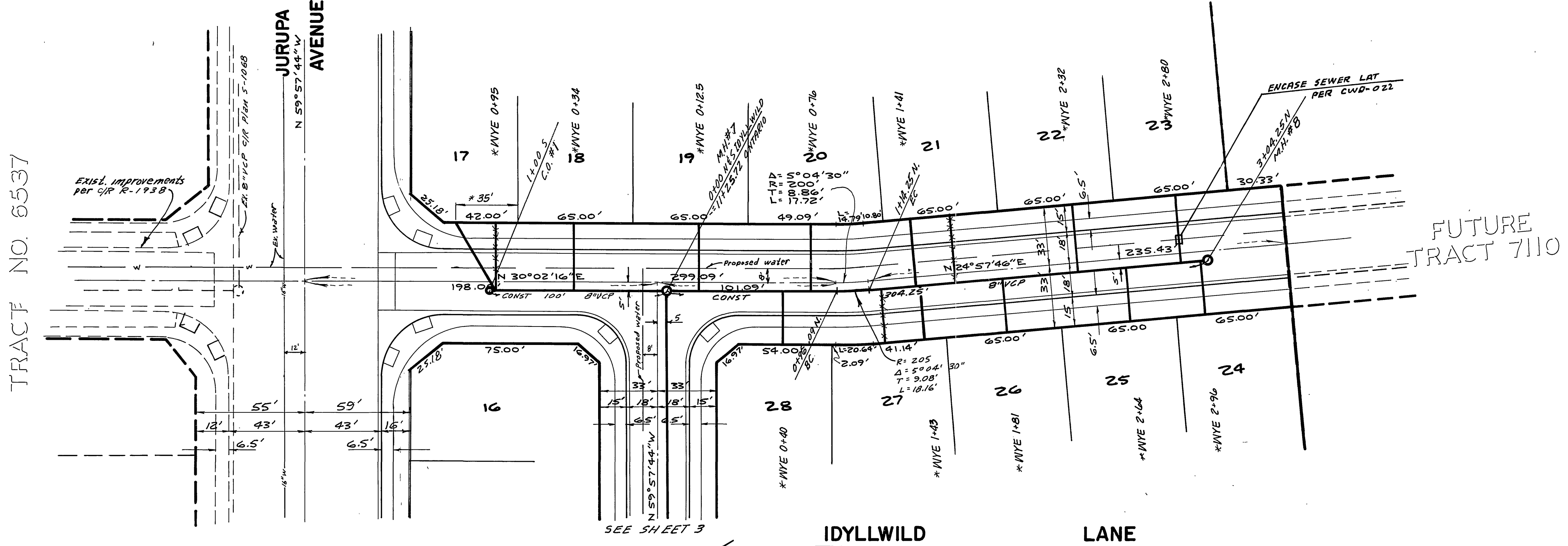
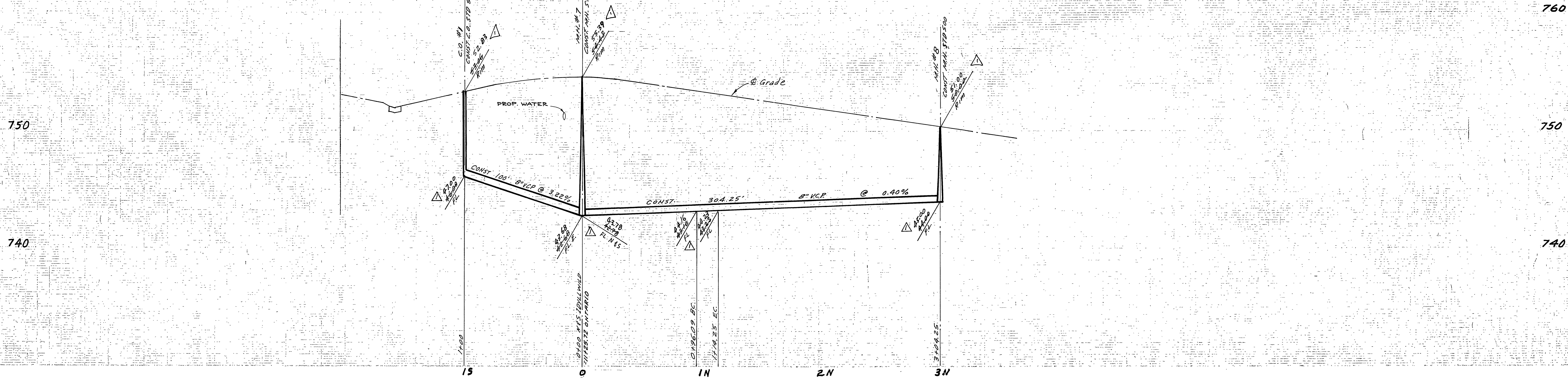
ENCASE SEWER FORCE MAIN 10' EACH SIDE OF WATER MAIN CROSSING WITH TYPE 'A' ENCASEMENT AS PER PUBLIC UTILITIES DWG. CWD-023.

**JURUPA AVENUE**  
ENCASE SEWER MAIN 10' EACH SIDE OF WATER MAIN CROSSING WITH TYPE 'A' ENCASEMENT AS PER PUBLIC UTILITIES DWG. CWD-023.

**BENCH MARK**  
PK NAIL IN EAST CURB OF TYLER ST. ON E GAYLORD AVE. PRODUCED PER CIR EB. 706/11 ELEV. 778.21, USED FOR THIS PROJECT. (EQUALS ELEV. 778.09 ON CURRENT CITY DATUM) (REFER TO CIR PLANS R-1938 & R-2051)



<b>ALBERT A. WEBB ASSOCIATES</b> CIVIL ENGINEERS RIVERSIDE, CALIFORNIA APPROVED BY: <i>[Signature]</i> DATE: 9/27/77 R.E. No. 9876	CITY OF RIVERSIDE, CALIFORNIA <b>PUBLIC WORKS DEPARTMENT</b> APPROVED BY: <i>[Signature]</i> DATE: 6/12/83 CHIEF PUB. WKS. ENGR.	<b>CITY OF RIVERSIDE, CALIFORNIA</b> <b>SEWER PLAN &amp; PROFILE</b> TRACT NO. 7110-1 <b>ONTARIO STREET</b>		ACCOUNT No. DRAWING NUMBER <b>5-1314</b>
		SCALE: HORIZ. 1"=40' VERT. 1"=4' *AS BUILT 6/85		SHEET <b>3</b> OF 6 77-56-B



TRACT NO. 6537

FUTURE TRACT 7110

**BENCH MARK**

PK NAIL IN EAST CURB OF TYLER ST ON E GARLAND AVE. PRODUCED PER C.R. R-2061 ELEV. 778.31, USED FOR THIS PROJECT. (EQUALS ELEV. 778.09 ON CURRENT CITY DATUM) (REFER TO C.R. PLANS R-1938 & R-2051)

\* AS BUILT 6/85

CITY OF RIVERSIDE DOMESTIC SYSTEM  
 APPROVED: *[Signature]*  
 WATER SYSTEMS MANAGER

ALBERT A. WEBB ASSOCIATES  
 CIVIL ENGINEERS  
 RIVERSIDE, CALIFORNIA  
 APPROVED BY: *[Signature]* DATE 9/27/77  
 R.E. No. 9876

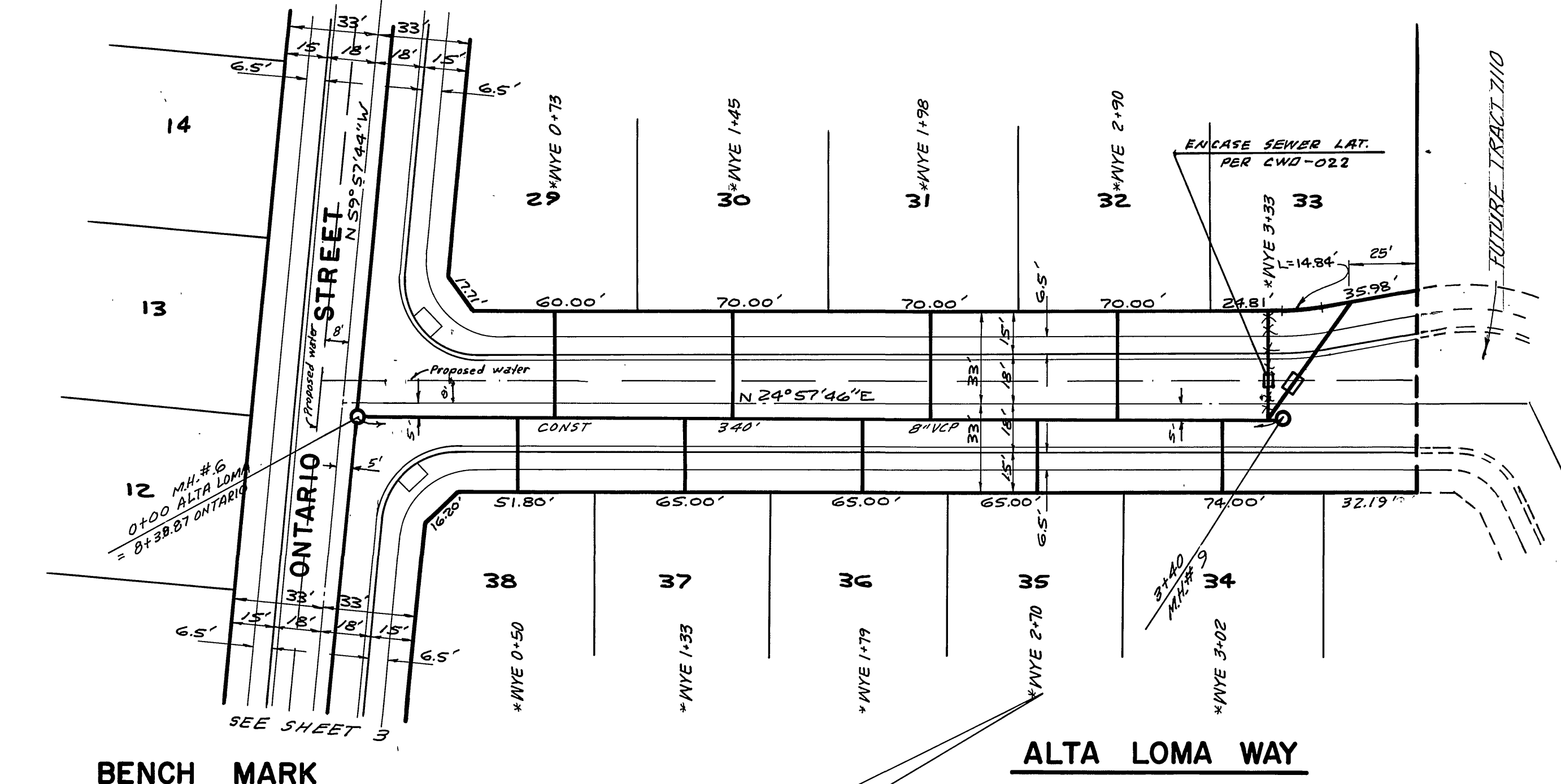
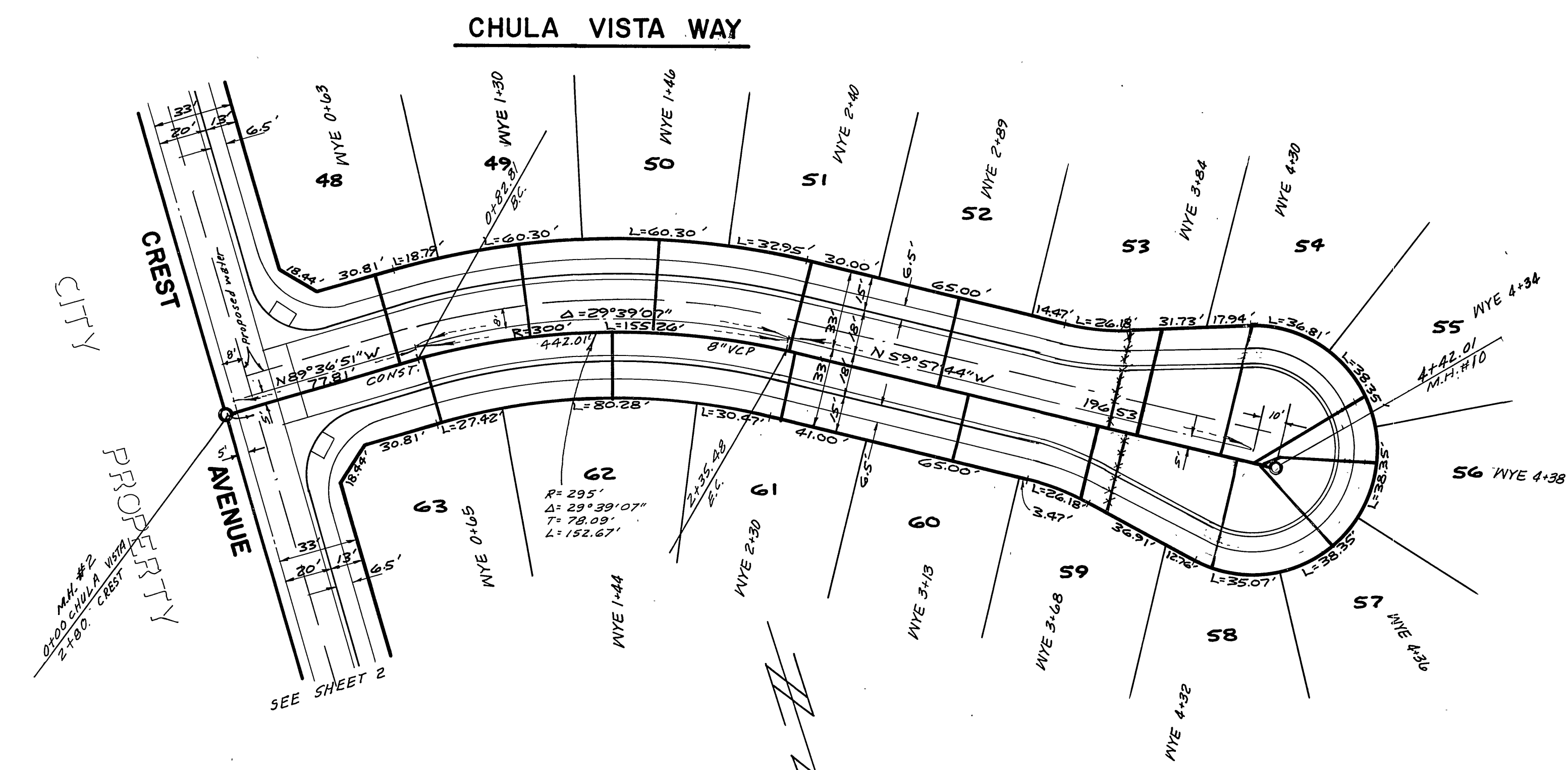
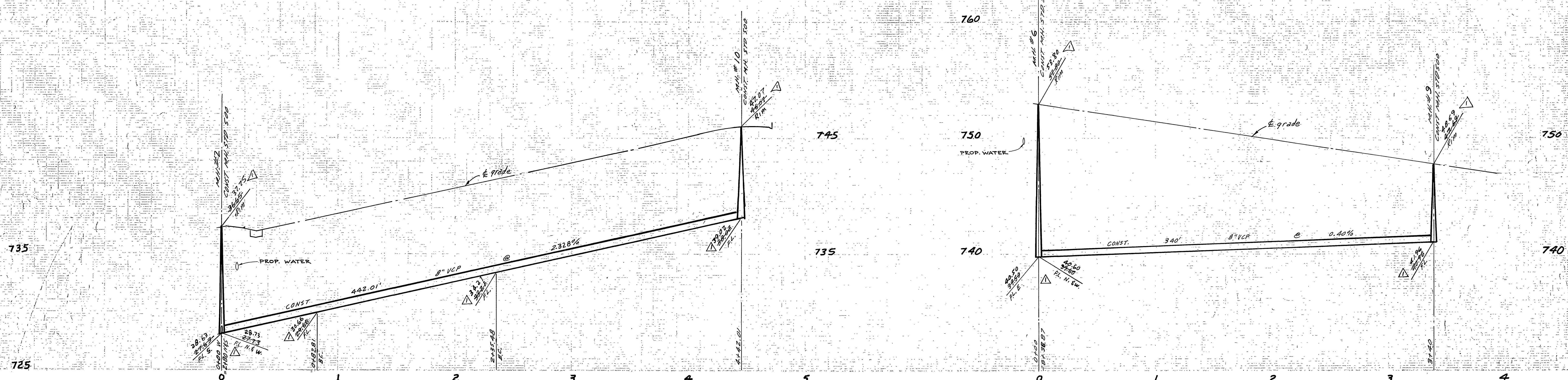
DESIGNED BY: B.E.L. DRAWN BY: J.M.Z. CHECKED BY: J.K.C.

CITY OF RIVERSIDE, CALIFORNIA  
 PUBLIC WORKS DEPARTMENT  
 APPROVED BY: *[Signature]* DATE 5/1/83  
 PRINCIPAL ENGINEER  
 PARK DEPARTMENT  
 TRAFFIC DIVISION  
 CHIEF PUB. WKS. ENGR. 6.2  
 DATE 6/2/83

SEWER PLAN & PROFILE  
 TRACT NO. 7110-1  
 IDYLLWILD LANE

ACCOUNT No. 77-56-B  
 DRAWING NUMBER 5-1314  
 SHEET 4 OF 6

SCALE: HORIZ. 1"=40' VERT. 1"=4'



**BENCH MARK**  
 PK NAIL IN EAST CURB OF TYLER ST ON E  
 GAYLORD AVE. PROVIDED PER ON F.S. 706/11  
 ELEV. 772.21, USED FOR THIS PROJECT.  
 (EQUALS ELEV. 778.00 ON CURRENT CITY DATUM)  
 (REFER TO C/R PLANS R-1938 & R-2051)

CITY OF RIVERSIDE DOMESTIC SYSTEM  
 APPROVED BY: *[Signature]*  
 WATER SYSTEMS MANAGER

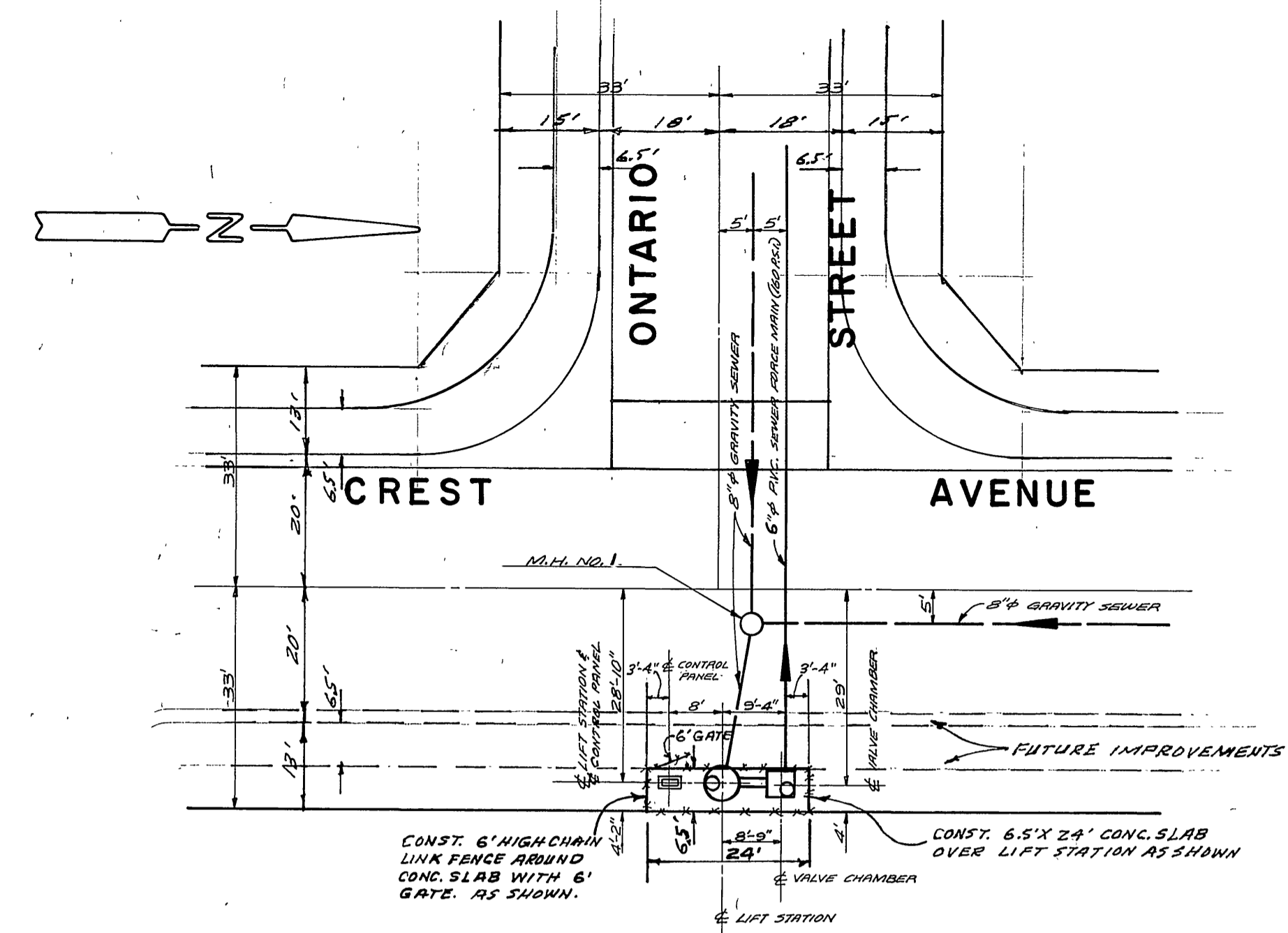
ALBERT A. WEBB ASSOCIATES  
 CIVIL ENGINEERS  
 RIVERSIDE, CALIFORNIA  
 APPROVED BY: *[Signature]* DATE 7/27/77  
 R.E. No. 2876

Revised Plan & Elev 726-63 B.E. P. 20  
 W.K.K. 6-11-83  
 TRAFFIC DIVISION  
 CHIEF PUB. WKS. ENGR. 6-12-83

CITY OF RIVERSIDE, CALIFORNIA  
 PUBLIC WORKS DEPARTMENT  
 APPROVED BY: *[Signature]* DATE 6/12/83  
 PRINCIPAL ENGINEER  
 DIRECTOR OF PUBLIC WORKS

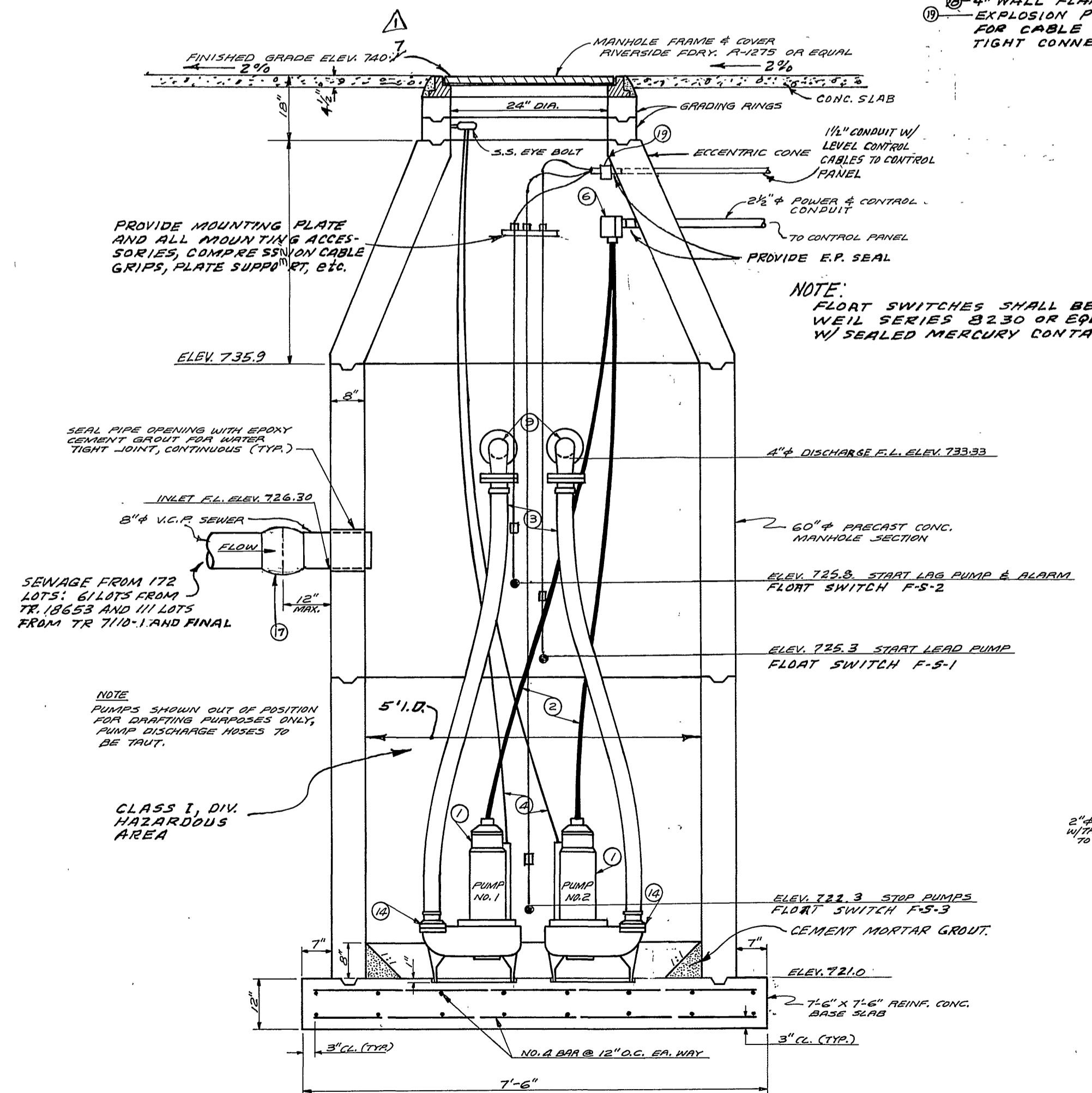
SEWER PLAN & PROFILE  
 TRACT NO. 7110-1  
 CHULA VISTA WAY  
 ALTA LOMA WAY  
 SCALE: HORIZ. 1"=40' VERT. 1"=4'

ACCOUNT No.  
 DRAWING NUMBER  
 5-1314  
 SHEET 5 OF 6  
 77-56-B

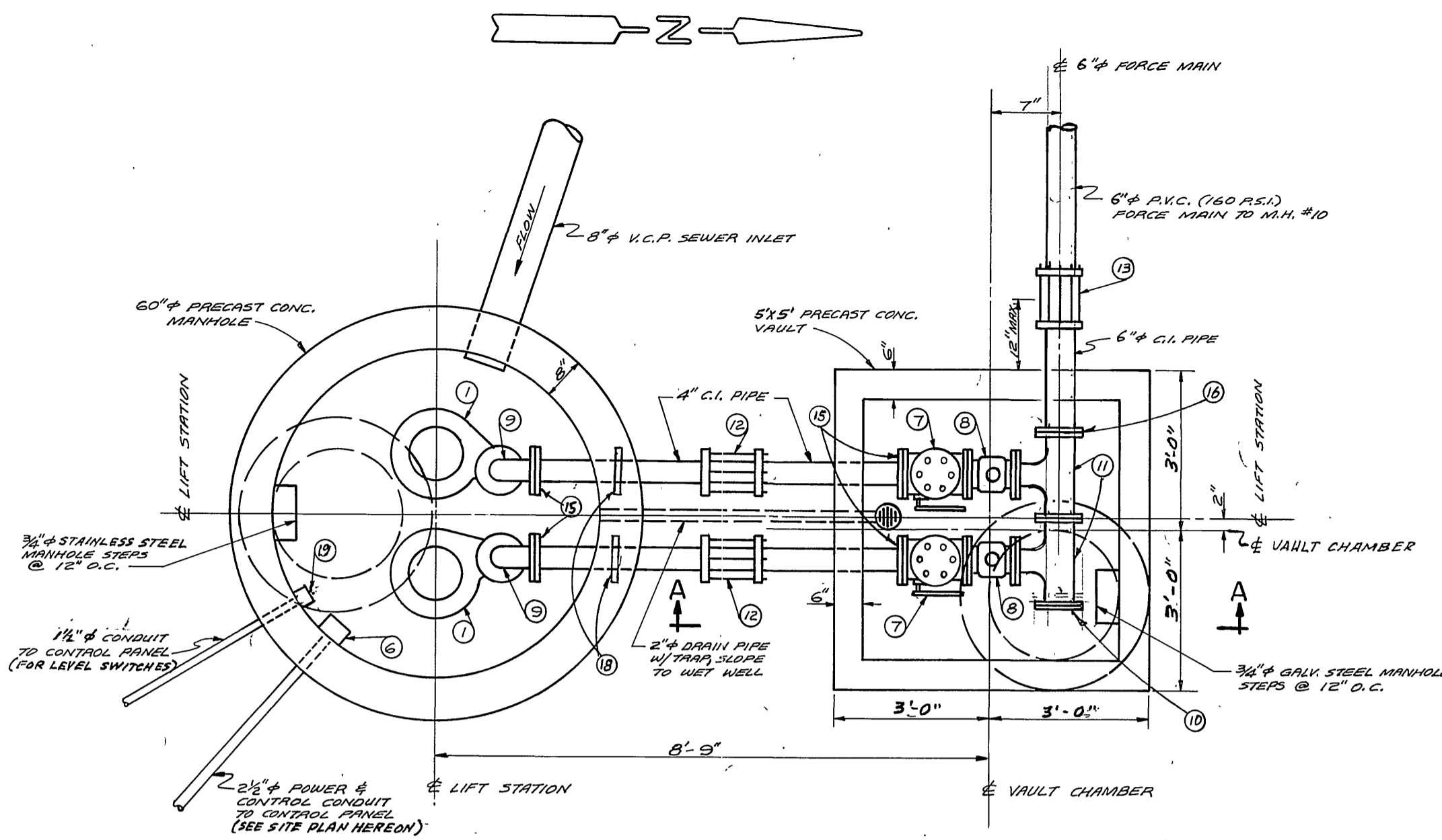


**SITE PLAN**  
SCALE: 1" = 20'

**PUMP (EACH) DESIGN CHARACTERISTICS**  
220 GPM, 30' TDH, 5 HP, 1750 RPM



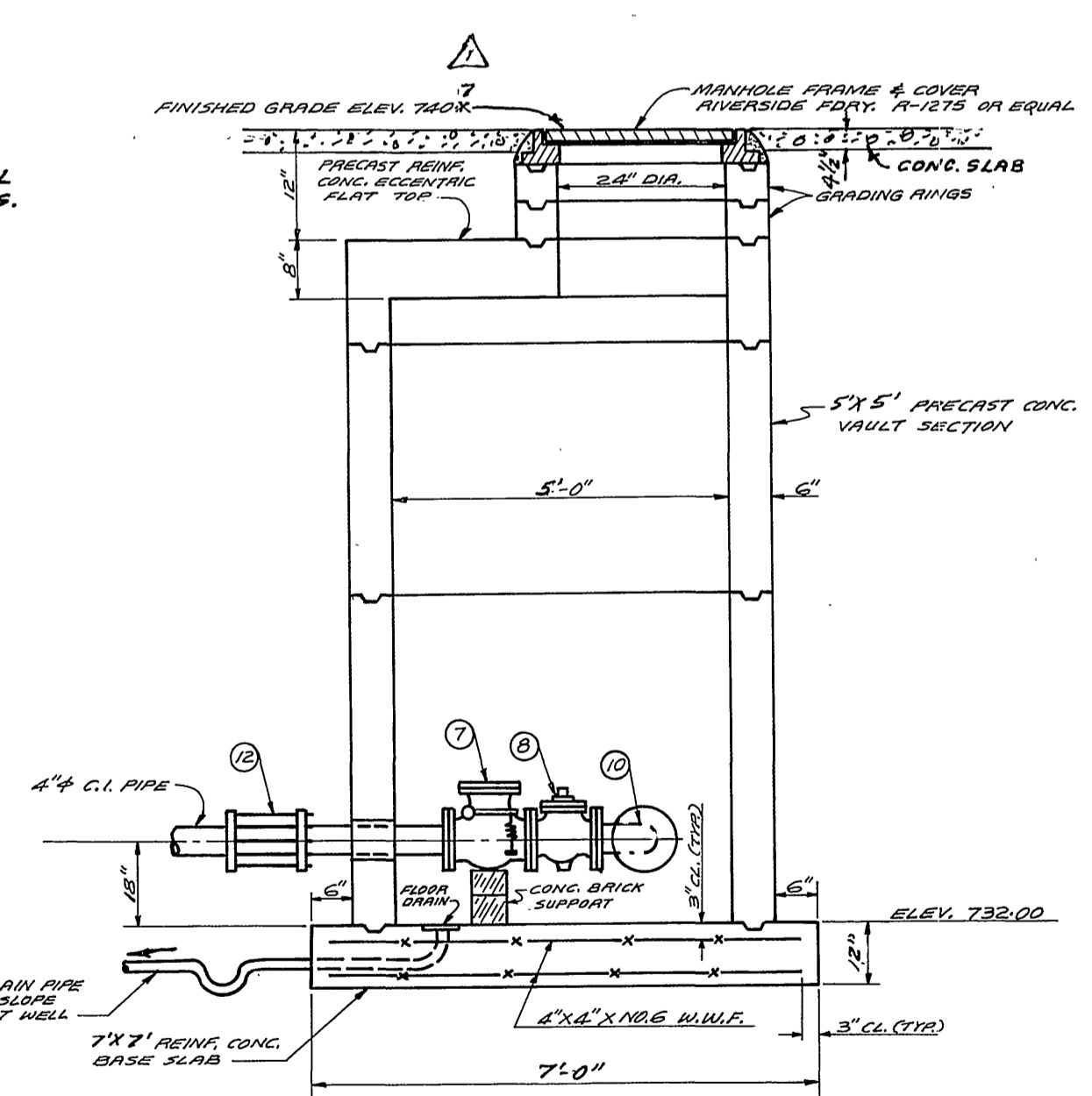
**SECTION A-A  
LIFT STATION WET WELL**  
NOT TO SCALE



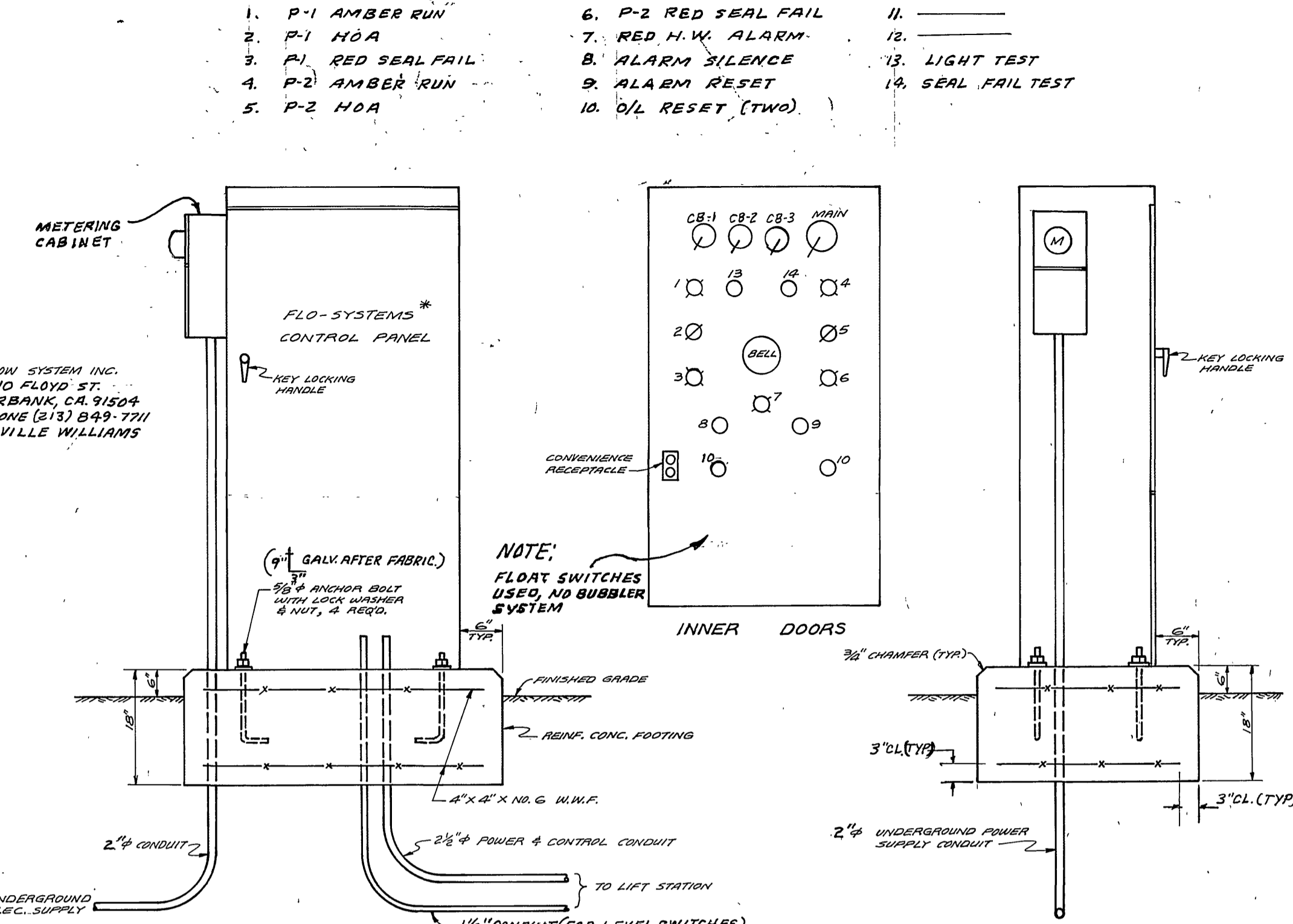
**PLAN VIEW**  
NOT TO SCALE

**LIFT STATION ITEMS**

1. SUBMERSIBLE PUMP AND MOTOR, WEMCO 4" MODEL S-3; 2 REQUIRED.
2. POWER CABLE ASSEMBLY FURNISHED WITH PUMP 30' CABLE 1/2" (3 TERMINAL, 1 GROUND) 30' CABLE 1/2" (2 PROTECTOR WIRES, 2 WARNING WIRES, 2 REQUIRED, (WEAR WITH MANHOLE))
3. 3" UNIDRYAL, P-1172 FLEXIBLE DISCHARGE NOSE (60 R.S.I.) WITH STAINLESS STEEL CLAMPS
4. CADMIUM PLATED STEEL NIPPLES AND CAST IRON MATING FLANGE, 2 REQUIRED.
5. 1/4" X 1/2" HAKREXABLE STAINLESS STEEL W/CONV COVERED LIFTING CABLE WITH 1/2" X 6" CADMIUM PLATED EYE BOLT AND STAINLESS STEEL HOOKS, 2 REQUIRED.
6. 7" X 8 1/2" CLASS 1, GROUP D, TEMP (EXPLOSION PROOF) JUNCTION BOX COMPLETE WITH 4 WATER TIGHT CONNECTORS FOR MOTOR CONTROL LEADS, TUBES OF JUNCTION BOX COVER SHALL BE SEALED WITH PERMATEX NO. 30 RT TO PROVIDE WATER TIGHT SEAL, 1 REQUIRED, EXPLOSION PROOF SEAL.
7. 4" KENNEDY 106 LS SWING CHECK VALVES WITH LEVER AND SPRING, BRONZE MOUNTED, 2 REQUIRED, FLANGED.
8. 4" HOMESTEAD FIG. 1522 BALLCENTRIC VALVE, 2 REQUIRED, FLANGED.
9. 3" X 4" CAST IRON FLANGED INCREASING 90° ELBOW, 2 REQUIRED.
10. 6" BLIND FLANGE, 1 REQUIRED.
11. 6" X 4" CAST IRON FLANGED TEE, 2 REQUIRED.
12. 4" STRAIGHT CAST COUPLING, SMITH-BLAIR NO. 433, 2 REQUIRED.
13. 6" TRANSITION CAST COUPLING, SMITH-BLAIR NO. 433, 1 REQUIRED.
14. 3" CAST IRON COMPANION FLANGE, 2 REQUIRED.
15. 6" FLANGE, 1 REQUIRED.
16. 6" FLANGE, 1 REQUIRED.
17. 8" FLEXIBLE COUPLING, MISSION CLAY PIPE, BOOT WITH S.S. CLAMPS.
18. 4" WALL FLANGE ASSEMBLY BOLT-ON TYPE.
19. EXPLOSION PROOF JUNCTION BOX WITH SEAL, CLASS 1, DIV. 1. PROVIDE WATER TIGHT CONNECTIONS FOR CABLE ENTRY INTO BOX. DO NOT SPLICE IN JUNCTION BOX. (MINIMUM OF 3 WATER TIGHT CONNECTIONS FOR CABLES INTO BOX). PROVIDE ONE SPARE PLUGGED ENTRY.



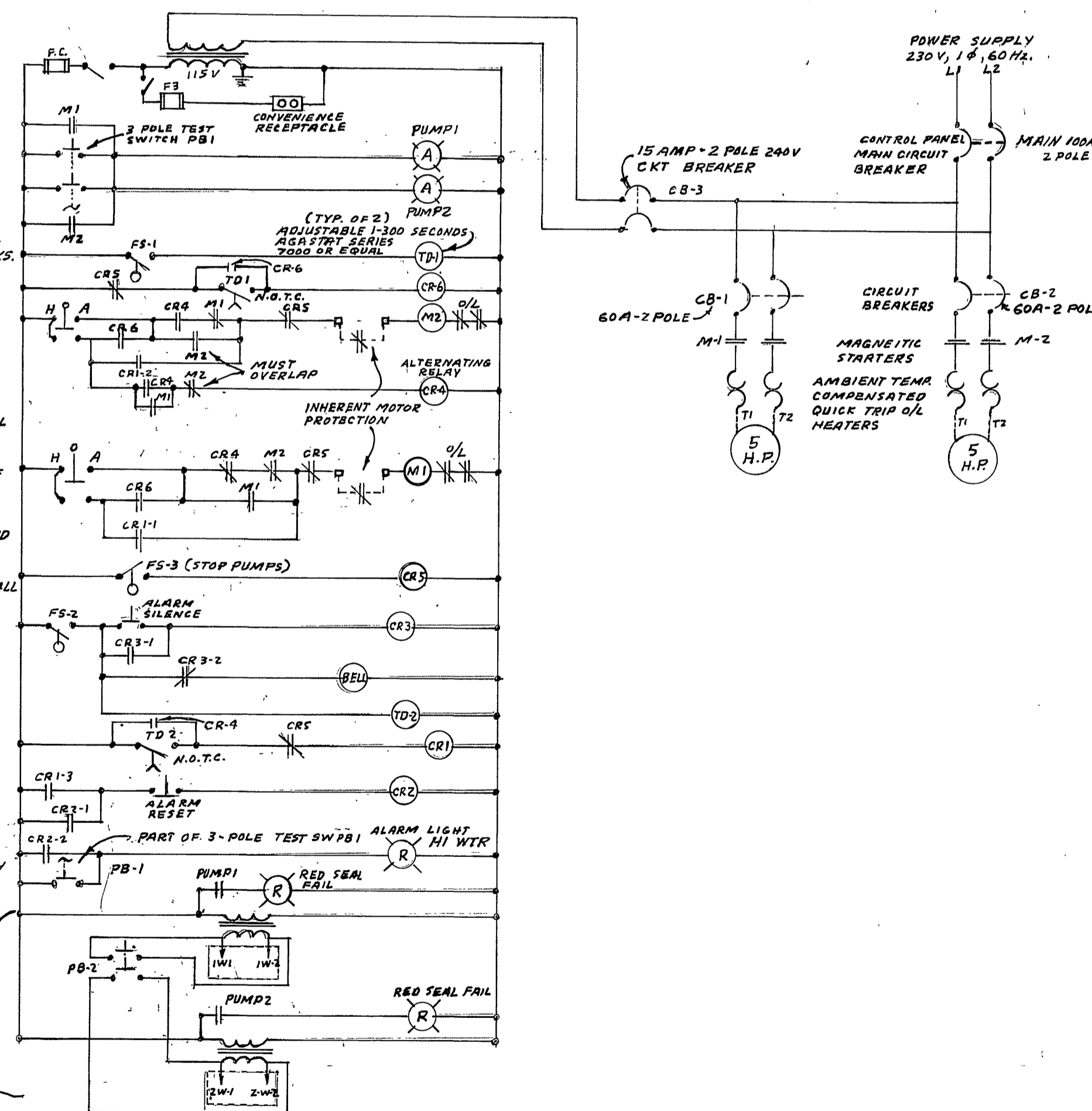
**SECTION A-A  
VALVE CHAMBER**  
NOT TO SCALE



**CONTROL PANEL DETAIL**  
NOT TO SCALE

**GENERAL NOTES:**

1. CONTRACTOR SHALL INSTALL A DUPLEX, SUBMERSIBLE, AUTOMATIC SEWAGE LIFT STATION AS SHOWN. THE STATION SHALL BE COMPLETE WITH ALL NECESSARY ITEMS INCLUDING PUMP CONTROL PANEL AND ALL ELECTRICAL WORKS.
2. CONTRACTOR SHALL VERIFY ELECTRICAL SERVICE REQUIREMENTS AND SERVICE LOCATION WITH THE CITY OF RIVERSIDE PRIOR TO SUBMITTING BID.
3. MOTOR CABLES TO BE CUT AS REQUIRED FOR PROPER LENGTH TO CONNECT TO CONTROL PANEL.
4. ELECTRICAL INSTALLATION SHALL CONFORM TO ALL APPLICABLE REQUIREMENTS OF THE CITY OF RIVERSIDE, THE LATEST EDITION OF THE NATIONAL ELECTRICAL CODE AND THE STATE OF CALIFORNIA LOW VOLTAGE ELECTRICAL SAFETY ORDERS, TITLE 8.
5. ALL ELECTRICAL CONDUITS AND FITTINGS IN CONTACT WITH EARTH SHALL BE RIGID PVC, SCHEDULE 40 WITH 2 1/2" MINIMUM COVER.
6. ALL EXPOSED ELECTRICAL CONDUITS AND FITTINGS SHALL BE RIGID GALVANIZED STEEL, EXCEPT FLEXIBLE CONDUIT WHICH SHALL BE FLEXIBLE LIQUID-TIGHT.
7. ALL CONDUITS FROM WET WELL TO CONTROL PANEL SHALL BE SEALED.
8. CAST-IN-PLACE CONCRETE SHALL BE PORTLAND CEMENT CONCRETE AND SHALL DEVELOP A MINIMUM COMPRESSIVE STRENGTH OF 3000 P.S.I. IN 28 DAYS.
9. EXACT SIZE OF REINFORCED CONCRETE FOOTING FOR THE CONTROL PANEL SHALL BE DETERMINED BY SIZE OF CONTROL PANEL SUPPLIED BY THE PUMP MANUFACTURER.
10. CHECK VALVES AND TEES IN THE VALVE CHAMBER SHALL BE SUPPORTED WITH CONCRETE BRICKS.
11. THE PUMP MANUFACTURER SHALL PROVIDE THE SERVICE OF A TECHNICAL REPRESENTATIVE FOR A PERIOD OF ONE DAY TO PERFORM INITIAL START-UP OF THE LIFT STATION AND TO INSTRUCT THE OWNER'S OPERATING PERSONNEL IN THE OPERATION AND MAINTENANCE OF THE EQUIPMENT SUPPLIED.
12. ALL EXPOSED EXTERIOR FERROUS SURFACES WITHIN WET WELL SHALL BE FIELD COATED WITH 2-8 MIL COATS OF COAL TAR EPOXY, KOPRESS 300-M, INCLUDING MOTORS, PUMPS, CAST IRON PIPING, BOLTS, NUTS, ETC.
13. ALL C.I. PIPE AND FITTINGS SHALL BE CEMENT MORTAR LINED WITH TYPE S CEMENT.
14. ALL C.I. PIPE, FITTINGS AND VALVES SHALL BE FIELD COATED WITH 16 MIL OF COAL TAR EPOXY PER NOTE 12 HEREON.
15. DO NOT MAKE ELECTRICAL SPLICES IN WET WELL.



**SCHEMATIC DIAGRAM  
PUMP CONTROL SYSTEM**

ALBERT A. WEBB ASSOCIATES  
CIVIL ENGINEERS  
RIVERSIDE, CALIFORNIA  
APPROVED BY: *[Signature]* DATE 7/27/77  
R.E. No. 9876

CITY OF RIVERSIDE, CALIFORNIA  
PUBLIC WORKS DEPARTMENT  
APPROVED BY: *[Signature]* DATE *[Signature]*  
PRINCIPAL ENGINEER  
PARK DEPARTMENT  
TRAFFIC DIVISION  
CHIEF PUB. WKS. ENGR. DATE *[Signature]*

SEWER PLAN & PROFILE  
TRACT NO. 7110-1  
LIFT STATION  
SCALE: AS SHOWN

ACCOUNT NO. DRAWING NUMBER  
**S-1314**  
SHEET 6 OF 6  
77-56-B

CITY OF RIVERSIDE DOMESTIC SYSTEM  
APPROVED BY: *[Signature]* DATE *[Signature]*  
WATER SYSTEMS MANAGER

W.O. 77-56 FOR: ANDREWS DEV. CO. F.S. 1031

DESIGNED BY: B.W. DRAWN BY: B.W. CHECKED BY: F.H. DATE 7/27/77