

CONSTRUCTION LEGEND

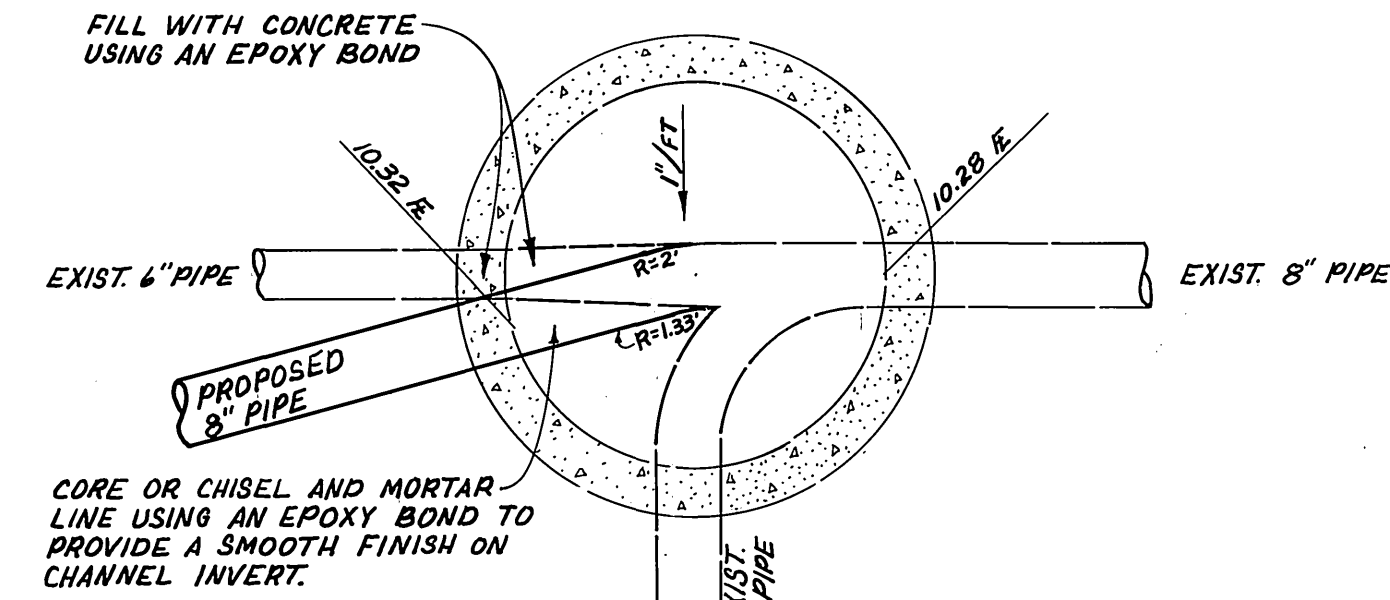
CENTER LINE &-----&
 RIGHT-OF-WAY R/W-----R/W
 LOT LINE &-----&

SPECIFIC CONSTRUCTION NOTES

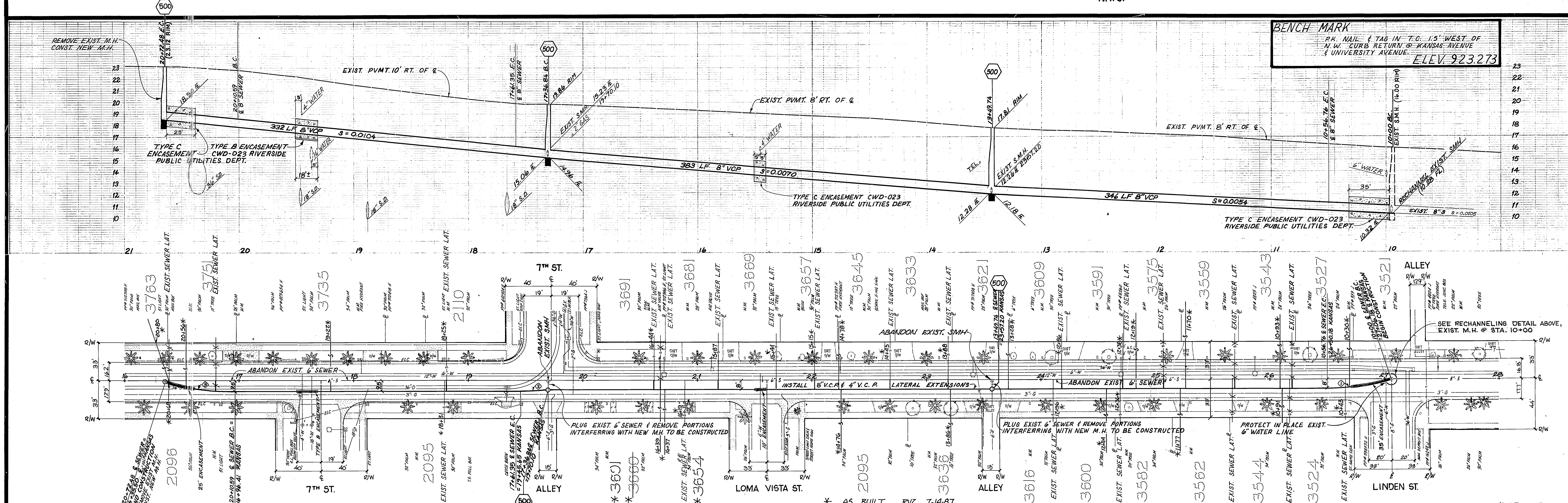
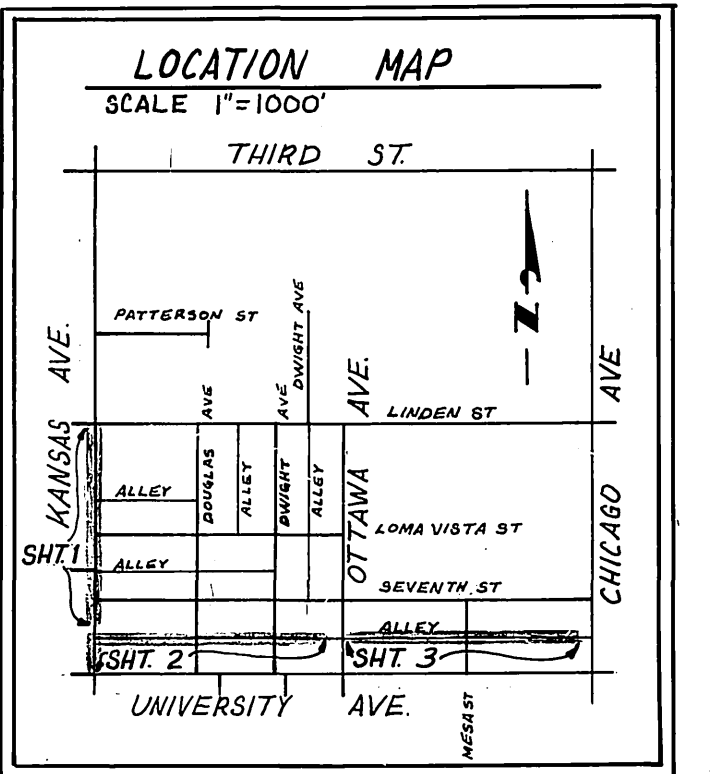
NUMBERS ABOVE 100 IN A HEXAGON ON THE PLAN REFER TO THE RESPECTIVE STANDARD DRAWING AND SHALL BE CONSTRUCTED ACCORDINGLY UNLESS MODIFICATIONS ARE NOTED ON THE PLAN OR IN THE OTHER NOTES BELOW. ANY NUMBER SHOWN BELOW THE STANDARD DRAWING NUMBER INDICATES THE SPECIFIC ALTERNATE TO BE CONSTRUCTED.

GENERAL CONSTRUCTION NOTES

- 1 EXISTING UTILITIES SHOWN ON THIS PLAN ARE PLOTTED FROM UTILITY RECORDS. THE CONTRACTOR IS REQUIRED TO TAKE DUE PRECAUTIONARY MEASURES TO LOCATE AND PROTECT ALL UTILITIES WHETHER OR NOT SHOWN ON THIS PLAN. IF THE COVER OF A UTILITY IS KNOWN IT IS SHOWN IN THE PROFILE. UTILITIES SHOWN IN THE PROFILE AS ? INDICATE THAT THE COVER IS UNKNOWN BUT THE UTILITY IS NOT EXPECTED TO CONFLICT WITH THE PROPOSED IMPROVEMENTS.
- 2 ALL ELEVATIONS SHOWN ON THE PLAN SHALL BE STAKED IN THE FIELD.
- 3 LOCATIONS OF SEWER LATERALS SHOWN ON THE PLAN ARE APPROXIMATE. SEWER LATERALS SHALL BE LOCATED IN THE FIELD BY THE CONTRACTOR AT THE TIME OF CONSTRUCTION.
- 4 ALL SEWER LATERALS SHALL BE RECONNECTED TO THE PROPOSED SEWER LINE AS INSTALLATION PROGRESSES UPSTREAM. RECONNECTION SHALL INCLUDE THE NECESSARY PIPE EXTENSION OF ANY LATERAL LINE.
- 5 PROTECT EXIST. FENCES, WALLS, TREES, STREET LIGHTS, & POWER POLES. PROTECT AND JOIN EXISTING DRIVEWAYS AND WALKWAYS IN ALLEY PAVEMENT AREAS.
- 6 THE CONTRACTOR MAY USE ANY PLASTIC PIPE SPECIFIED IN THE STANDARD SPECIFICATIONS FOR PUBLIC WORKS CONSTRUCTION AS AN ALTERNATE TO THE VITRIFIED CLAY PIPE (VCP) SPECIFIED HEREON.
- 7 ALL PAVEMENT STRIPING AND MARKINGS SHALL BE REPLACED WHEREVER SEWER CONSTRUCTION WORK CAUSES OBLITERATION.
- 8 RECONSTRUCTED SEWERS IN THE ALLEYS BETWEEN DWIGHT AND OTTAWA AVENUES, AND BETWEEN STA. 19+20 AND STA. 22+33.54 (BETWEEN MESA & CHICAGO) SHALL BE CONSTRUCTED ON THE SAME HORIZONTAL ALIGNMENT AS THE EXISTING SEWER.
- 9 ALL UNUSED Y'S ON EXIST. SEWER LINES SHALL BE ELIMINATED.
- 10 REPLACEMENT PAVEMENT SECTION SHALL BE 5" AC. OVER 4" C.A.B. OR 8" FDAC FOR KANSAS FROM UNIVERSITY TO LINDEN PER SECTION 306-1.1.5 OF THE SPECIAL PROVISIONS.



RECHANNELING DETAIL
 EXIST. M.H. @ STA. 10+00
 N.T.S.



CURVE DATA

INDEX	R	Δ	T	L
1	200'	16°15'38"	28.57'	56.76'
2	200'	7°01'18"	12.27'	24.51'
3	200'	17°43'49"	31.19'	61.89'

CITY OF RIVERSIDE
 PUBLIC WORKS DEPARTMENT

APPROVED BY: [Signature]
 TRAFFIC DIVISION
 CHIEF P. W. ENGINEER

APPROVED BY: [Signature]
 PUBLIC WORKS DIRECTOR

DATE: 6/6/84

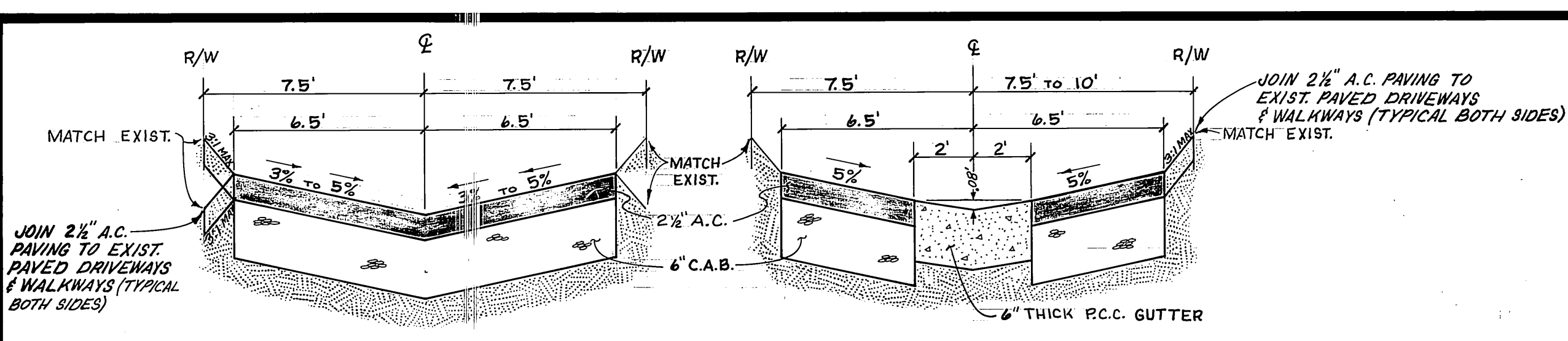
SEWER REPLACEMENTS
 KANSAS AVE - 7TH ST. TO LINDEN ST.

HORIZ. SCALE: 1" = 40'
 VERT. SCALE: 1" = 4'

ACCOUNT NO. 92-877-559

S-1328

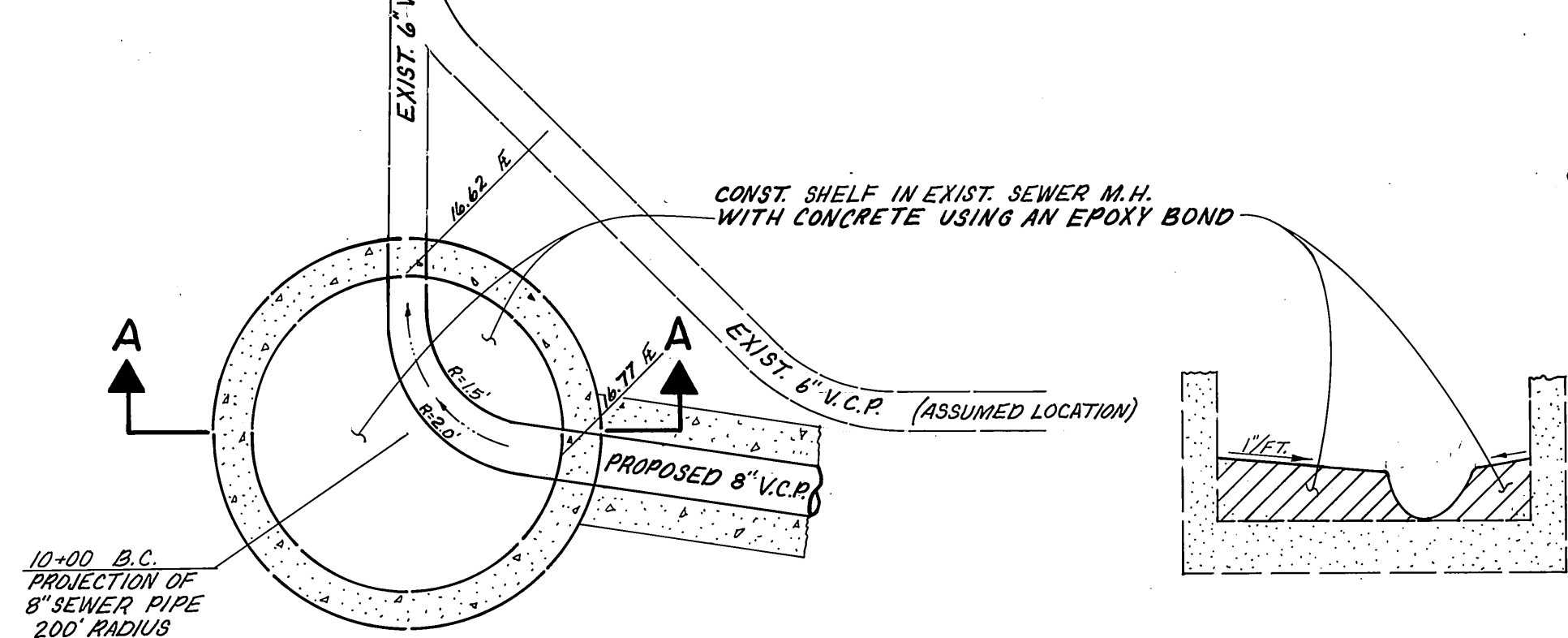
SHEET 1 OF 3



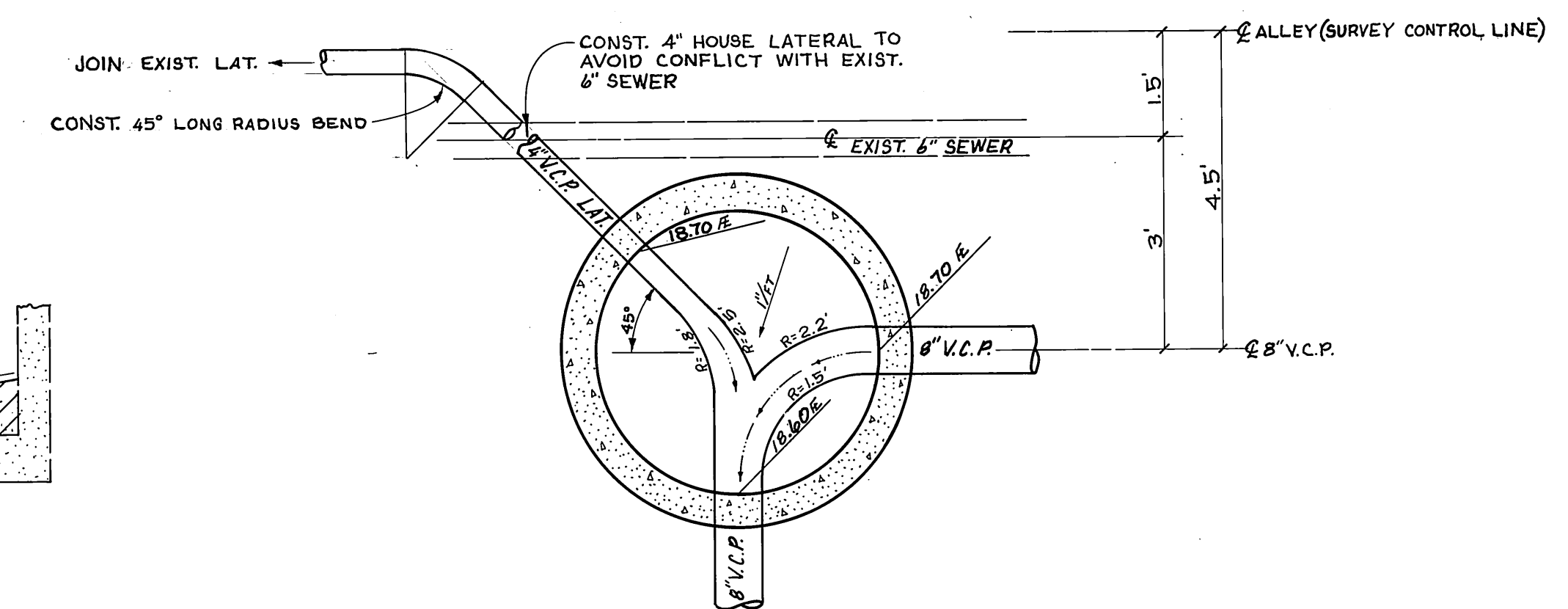
STA. 12+40 TO STA. 15+84.7 STA. 15+84.7 TO STA. 17+28

TYPICAL SECTIONS

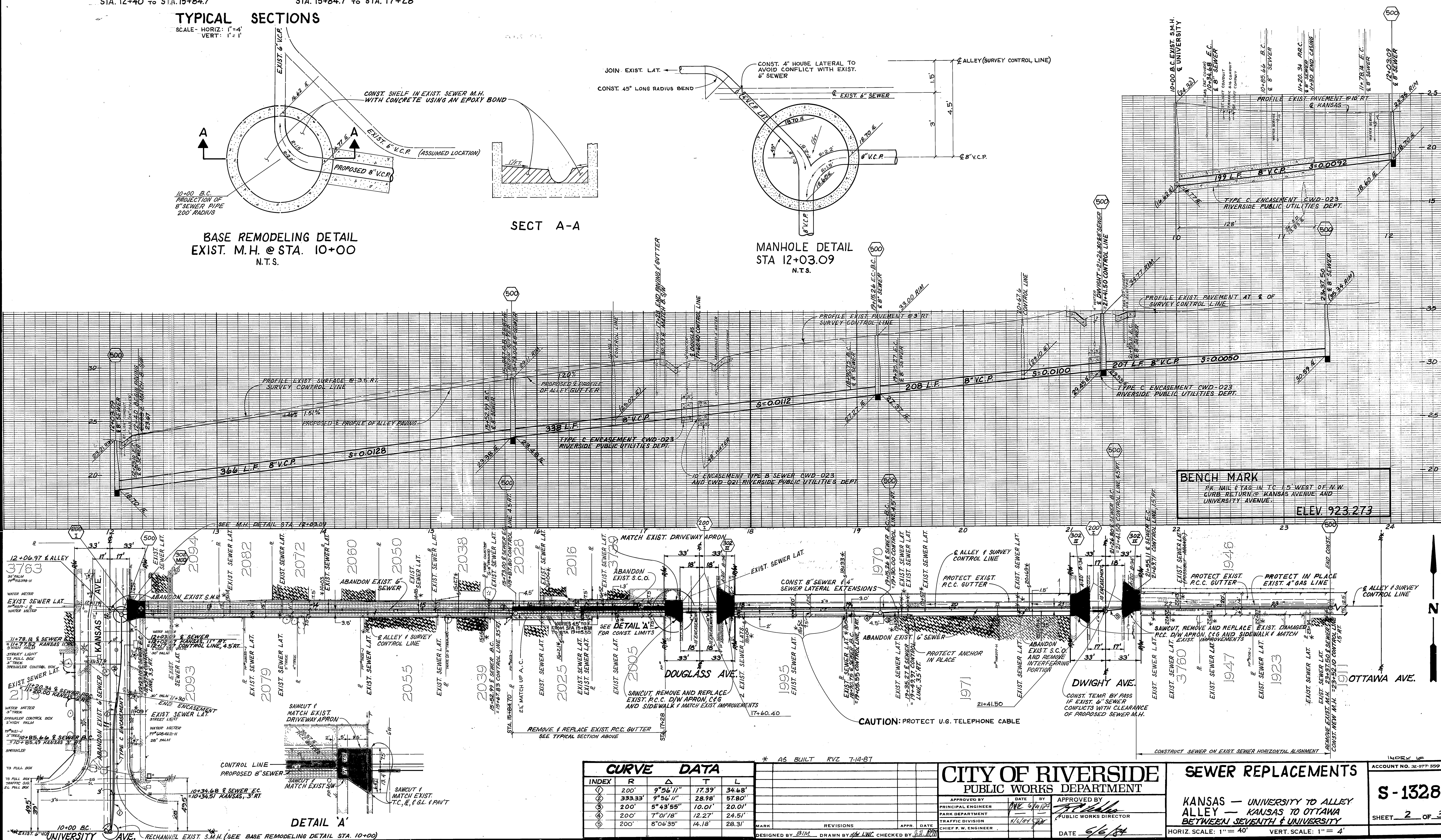
SCALE - HORIZ: 1"=4'
VERT: 1"=1'



BASE REMODELING DETAIL
EXIST. M.H. @ STA. 10+00
N.T.S.



MANHOLE DETAIL
STA 12+03.09
N.T.S.



CURVE DATA

INDEX	R	Δ	T	L
1	200'	9°56'11"	77.39'	34.68'
2	333.33'	9°56'11"	28.98'	57.80'
3	200'	5°43'55"	10.01'	20.01'
4	200'	7°01'18"	12.27'	24.51'
5	200'	8°06'35"	14.18'	28.31'

CITY OF RIVERSIDE
PUBLIC WORKS DEPARTMENT

APPROVED BY: [Signature] DATE: 5/6/84
PRINCIPAL ENGINEER

APPROVED BY: [Signature] DATE: 5/6/84
PUBLIC WORKS DIRECTOR

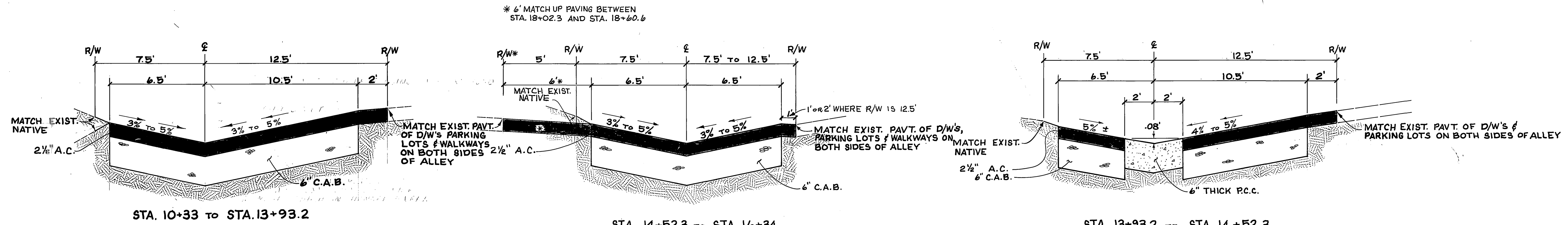
DESIGNED BY: BIM DRAWN BY: LMC CHECKED BY: [Signature]

SEWER REPLACEMENTS

KANSAS — UNIVERSITY TO ALLEY
ALLEY — KANSAS TO OTTAWA
BETWEEN SEVENTH & UNIVERSITY

ACCOUNT NO. 32-977-599
S-1328
SHEET 2 OF 3

HORIZ. SCALE: 1" = 40' VERT. SCALE: 1" = 4'



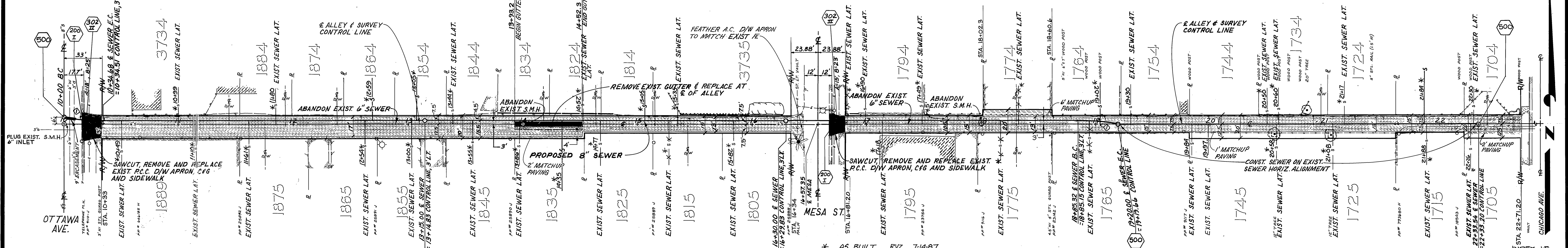
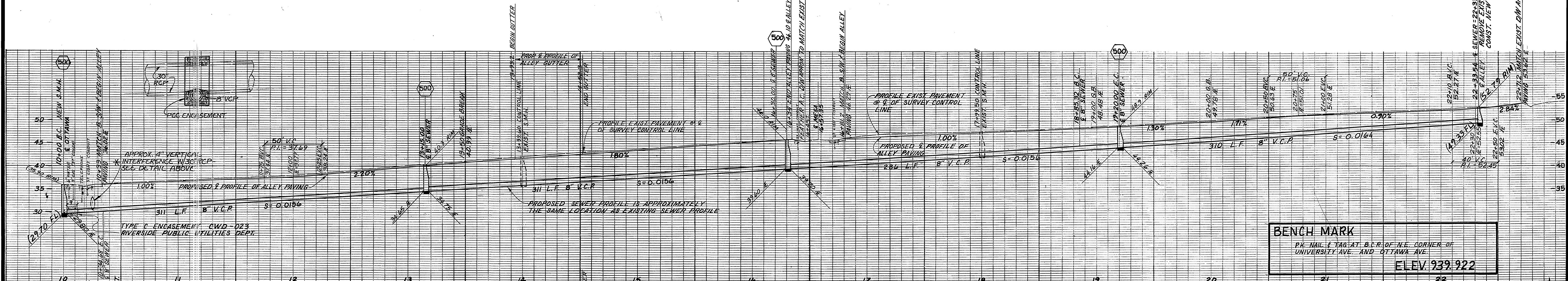
STA. 10+33 TO STA. 13+93.2

STA. 14+52.3 TO STA. 16+34
STA. 16+81.2 TO STA. 22+71.2

STA. 13+93.2 TO STA. 14+52.3

TYPICAL SECTIONS

SCALE - HORIZ: 1" = 4'
VERT: 1" = 1'



CURVE DATA

R = 200'
Δ = 9°56'11"
T = 17.39'
L = 34.68'

* AS BUILT R/VZ 7-14-87

MARK	REVISIONS	APPR.	DATE

CITY OF RIVERSIDE
PUBLIC WORKS DEPARTMENT

APPROVED BY	DATE	APPROVED BY	DATE
PRINCIPAL ENGINEER	6/11/89	CHIEF P.W. ENGINEER	6/6/89
PARK DEPARTMENT			
TRAFFIC DIVISION	6/6/89		

SEWER REPLACEMENTS

ALLEY - OTTAWA TO CHICAGO
BETWEEN 7TH & UNIVERSITY

ACCOUNT NO. 32-577-959
S-1328
SHEET 3 OF 3

HORIZ. SCALE: 1" = 40' VERT. SCALE: 1" = 10'