

# RIVERSIDE CITY OF RIVERSIDE CALIFORNIA



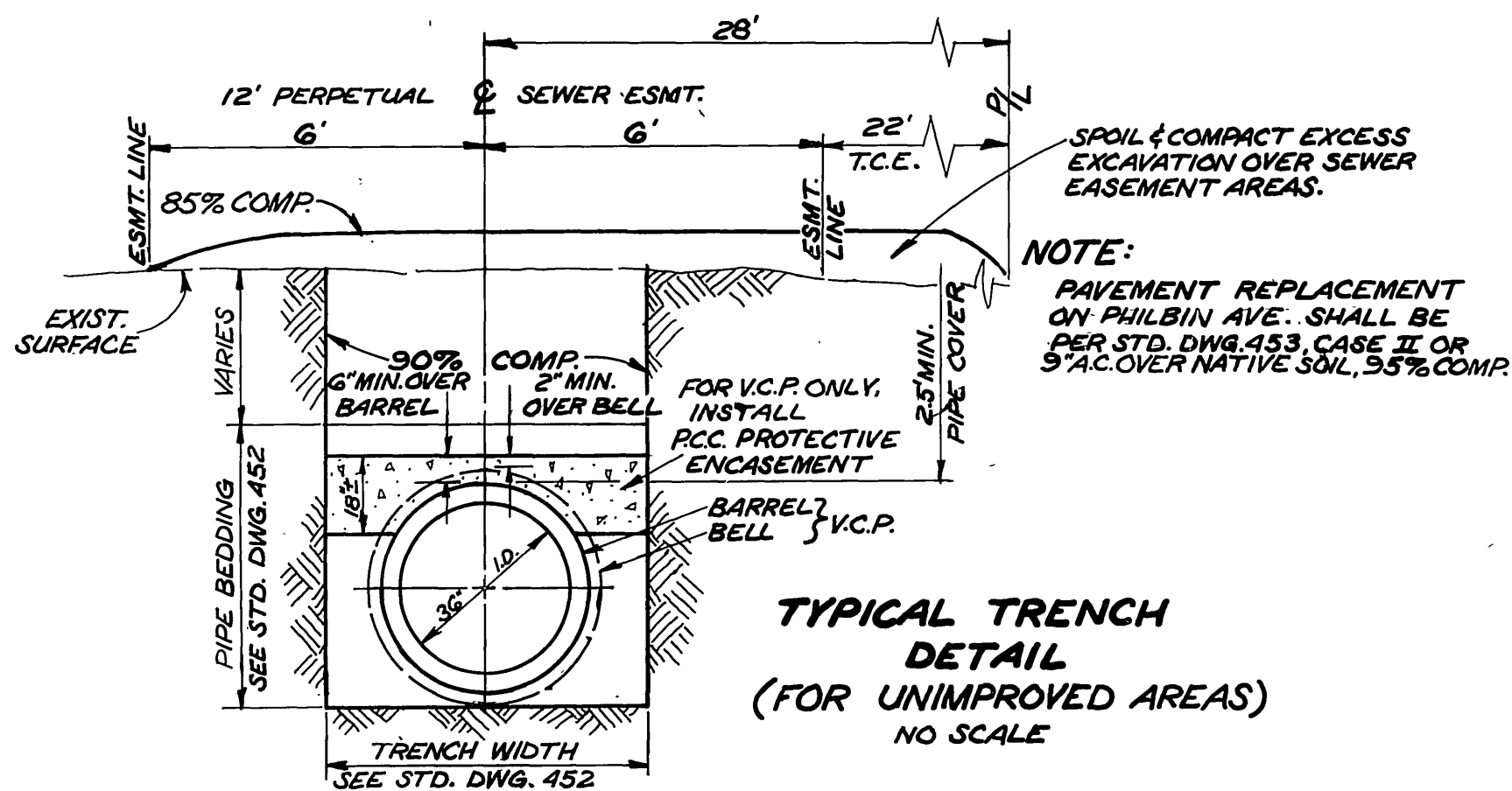
## PUBLIC WORKS DEPARTMENT

### MEGGINSON TRUNK SEWER EXTENSION

VAN BUREN BLVD. TO CHALLENGE AVE.

### PHASE I

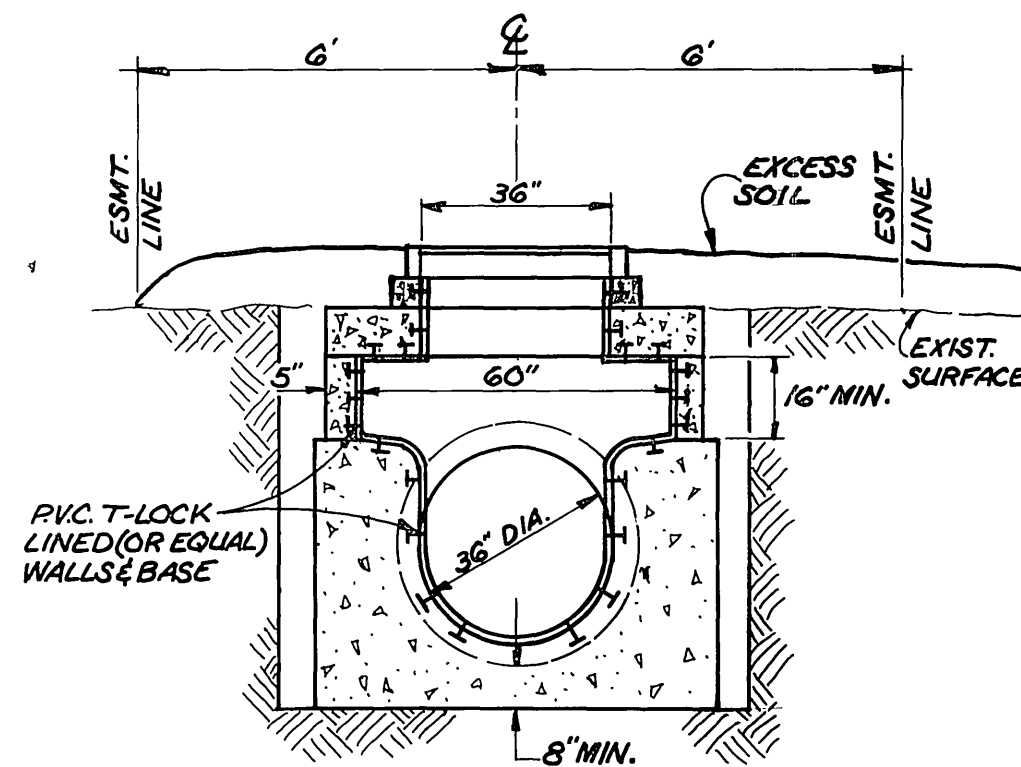
#### CONSTRUCTION LEGEND



#### SPECIFIC CONSTRUCTION NOTES

NUMBERS ABOVE 100 IN A HEXAGON ON THE PLAN REFER TO THE RESPECTIVE STANDARD DRAWING AND SHALL BE CONSTRUCTED ACCORDINGLY, UNLESS MODIFICATIONS ARE NOTED ON THE PLAN OR COVER SHEET BELOW. ANY NUMBER SHOWN BELOW THE STANDARD DRAWING NUMBER INDICATES THE SPECIFIC ALTERNATE TO BE CONSTRUCTED.

CONSTRUCT 36" DIA. MANHOLE PER C/R STD. DWG. NO. 500 (MODIFIED) WITH CONCENTRIC FLAT TOP AND 36" DIA. GAUGE RINGS (6" HIGH) - SEE NOTE 3 BELOW. FRAME AND COVER TO BE ALHAMBRA FOUNDRY NO. R-125 (36") OR APPROVED EQUAL. ALL MANHOLES TO HAVE P.V.C. LINED WALLS & BASE.



TYPICAL MANHOLE DETAIL  
NO SCALE

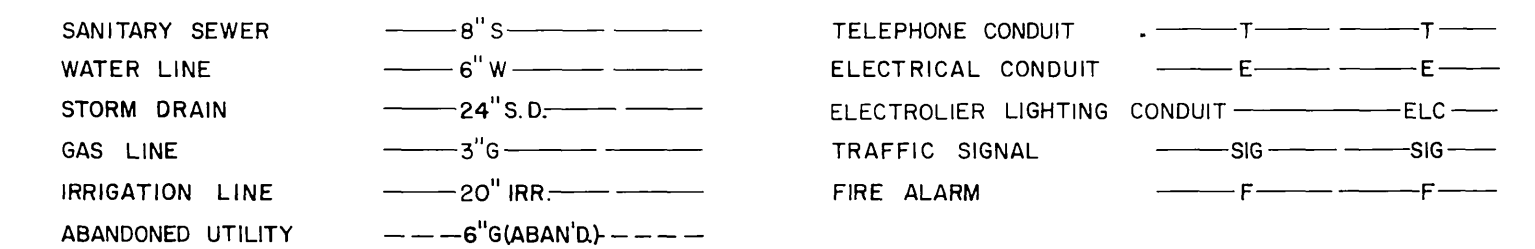
FOR DETAILS NOT SHOWN SEE STD. DWG. No. 500 ATTACHED TO PROPOSAL PACKAGE & DELETED NOTES THEREON DO NOT APPLY TO THIS PROJECT.

#### GENERAL CONSTRUCTION NOTES

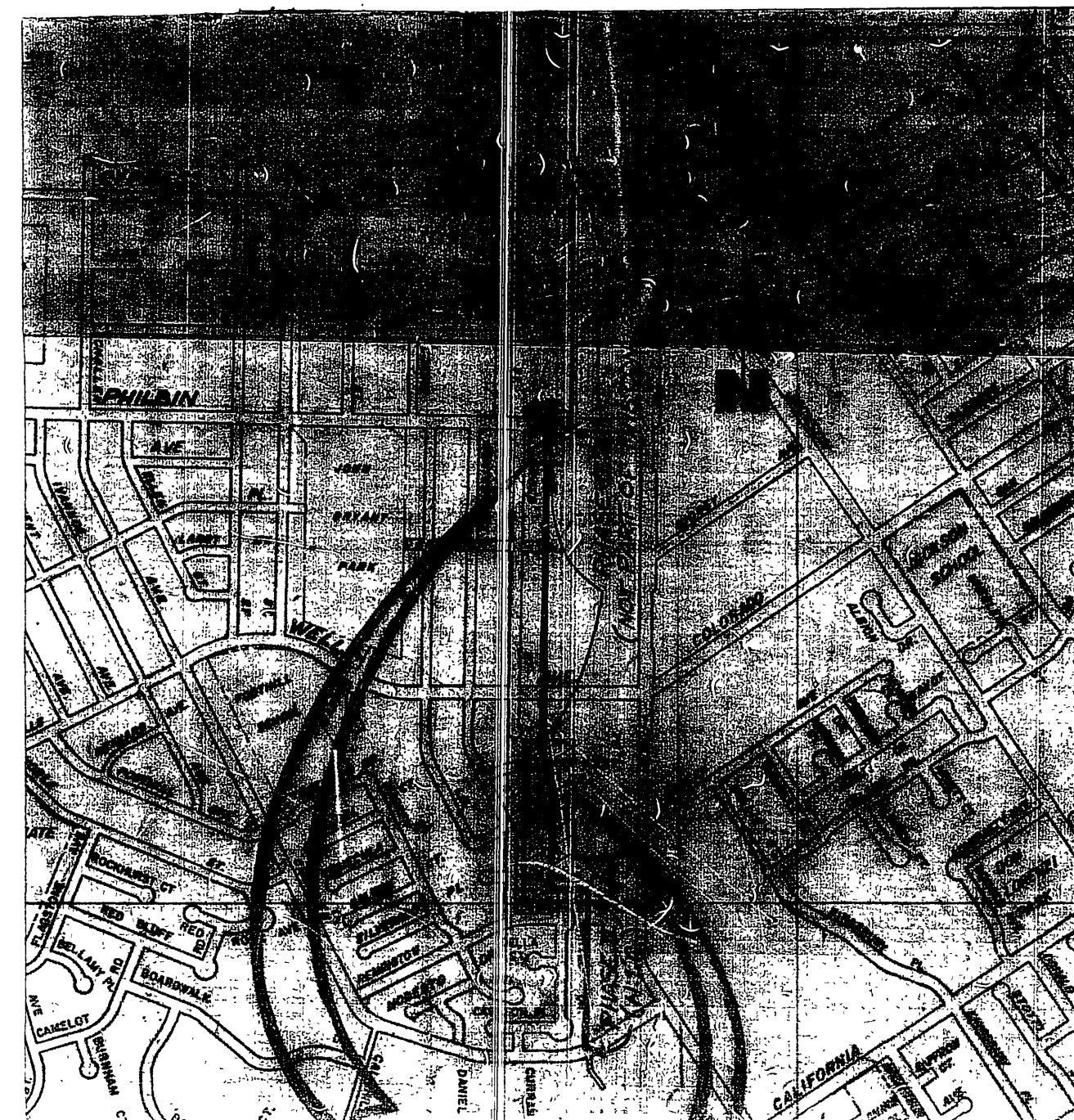
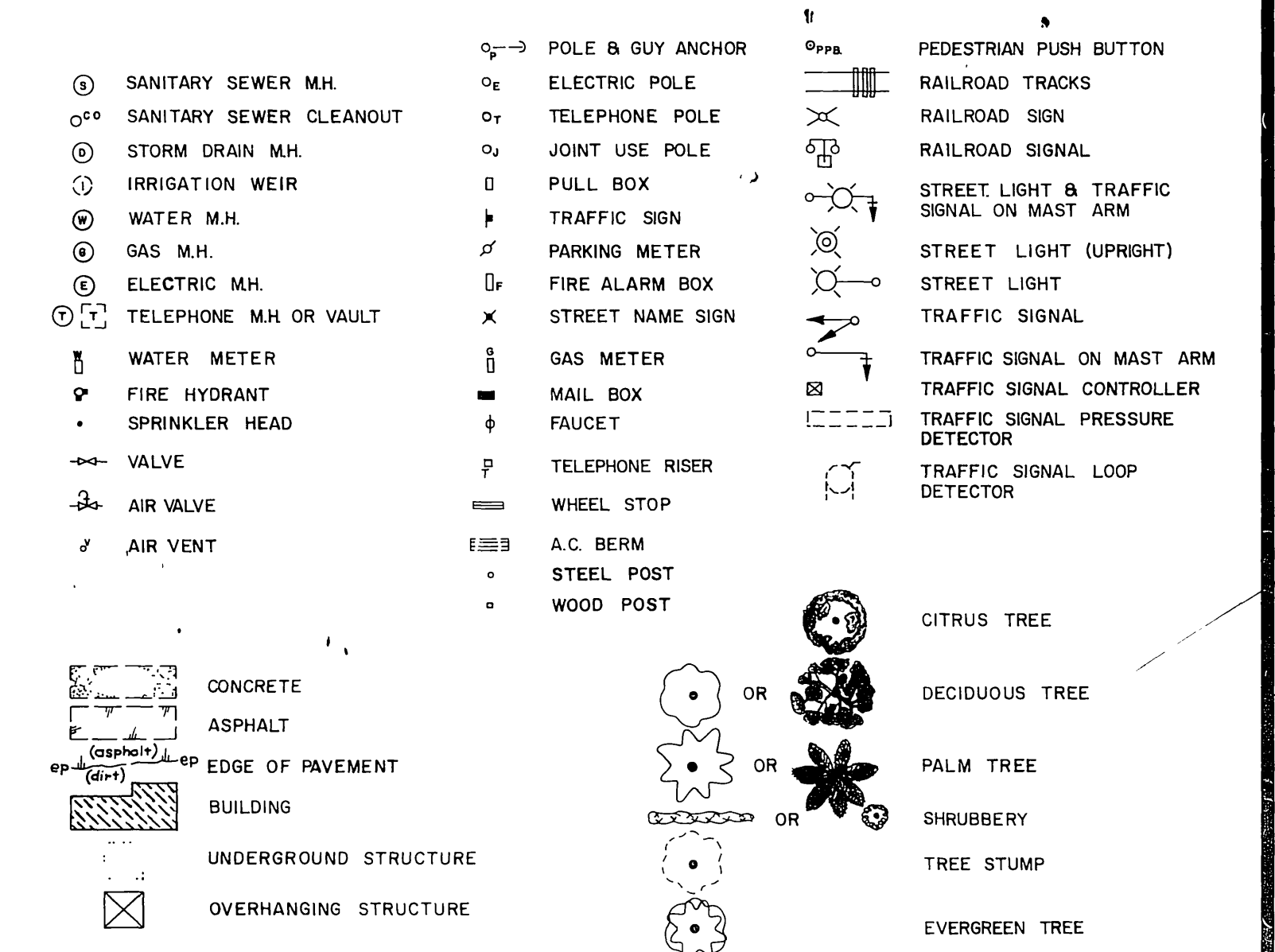
1. PIPE SHALL BE 36" VCP, CASE II BEDDING (ALTERNATE I) OR 36" LINED RCP, CASE I BEDDING (ALTERNATE II) INSTALLED PER C/R STD. 452, EXCEPT AS NOTED BELOW.
2. FOR ALTERNATE II, CASE II BEDDING SHALL BE USED IN LIEU OF CASE I BEDDING AT THE DIRECTION OF THE ENGINEER WHERE ROCK OR UNSTABLE MATERIAL IS ENCOUNTERED IN THE EXCAVATION.
3. ALL MANHOLE SHAFTS SHALL BE PRECAST CONCRETE (NOT BRICK) AS MANUFACTURED BY INLAND CONCRETE ENTERPRISES (714-682-2833) OR APPROVED EQUAL.
4. PHASE I CONSTRUCTION CONSISTS OF INSTALLING THE TRUNK SEWER BETWEEN STATIONS 43+65 & 53+39 AND PROVIDING A TEMPORARY BY-PASS CONNECTION INTO THE EXISTING 8-INCH SEWER AT KEY WEST DR. THIS PHASE IS INTENDED TO PRECEDE A PENDING DEVELOPMENT WITHIN THE PARCEL FRONTING VAN BUREN BLVD. AND AT THE IMMEDIATE END OF KEY WEST DR.
5. EXISTING UTILITIES SHOWN ON PLANS ARE PLOTTED FROM UTILITY RECORDS. THE CONTRACTOR IS REQUIRED TO TAKE DUE PRECAUTIONARY MEASURES TO LOCATE & PROTECT ALL UTILITIES WHETHER OR NOT SHOWN ON THIS PLAN. IF THE COVER OF A UTILITY IS KNOWN IT IS SHOWN IN THE PROFILE. UTILITIES SHOWN IN THE PROFILE AS INDICATES THAT THE COVER IS UNKNOWN, BUT THE UTILITY IS NOT EXPECTED TO CONFLICT WITH THE PROPOSED IMPROVEMENTS.
6. ALL ELEVATIONS SHOWN ON THE PLAN SHALL BE STAKED IN THE FIELD.
7. SEWER LATERAL LOCATIONS ARE APPROXIMATE AND SHALL BE LOCATED IN THE FIELD BY CONTRACTOR WITHIN 1 FT. OF PLAN STATION.

#### EXISTING UNDERGROUND & TOPOGRAPHY LEGEND

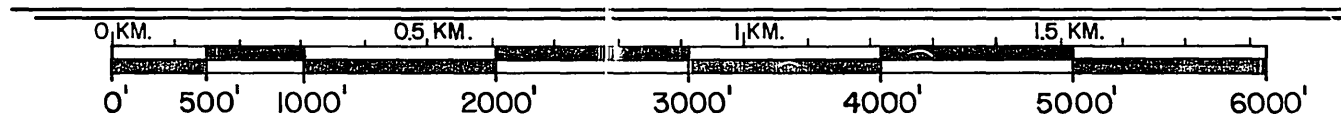
##### EXISTING UNDERGROUND UTILITIES:



##### EXISTING TOPOGRAPHY:



#### PROJECT LOCATION PLAN



SCALE 1" = 1000'

**Underground Service Alert**

CALL BEFORE YOU DIG

Call: TOLL FREE  
1-800  
422-4133

TWO WORKING DAYS BEFORE YOU DIG

**CITY OF RIVERSIDE**  
PUBLIC WORKS DEPARTMENT

APPROVED BY:	BY:	DATE:	APPROVED BY:
PRINCIPAL ENGINEER		5-9-85	William D. Gardner
PARK DEPARTMENT			PUBLIC WORKS DIRECTOR
TRAFFIC DIVISION			
CHIEF R.W. ENGINEER			

DATE: JUNE 3, 1985

\* AS BUILT 6-27-86 REV

**MEGGINSON TRUNK SEWER EXTENSION**  
VAN BUREN BLVD. TO CHALLENGE AVE.

ACCOUNT No. 32-577-569  
DRAWING NUMBER  
**S-1329**  
(PHASE I, SHT. 1 OF 3)  
SHEET 1 OF 3

DESIGNED BY JRH    DRAWN BY RVZ    CHECKED BY RCM

INCORPORATED 1883  
  
**RIVERSIDE CITY OF RIVERSIDE CALIFORNIA**

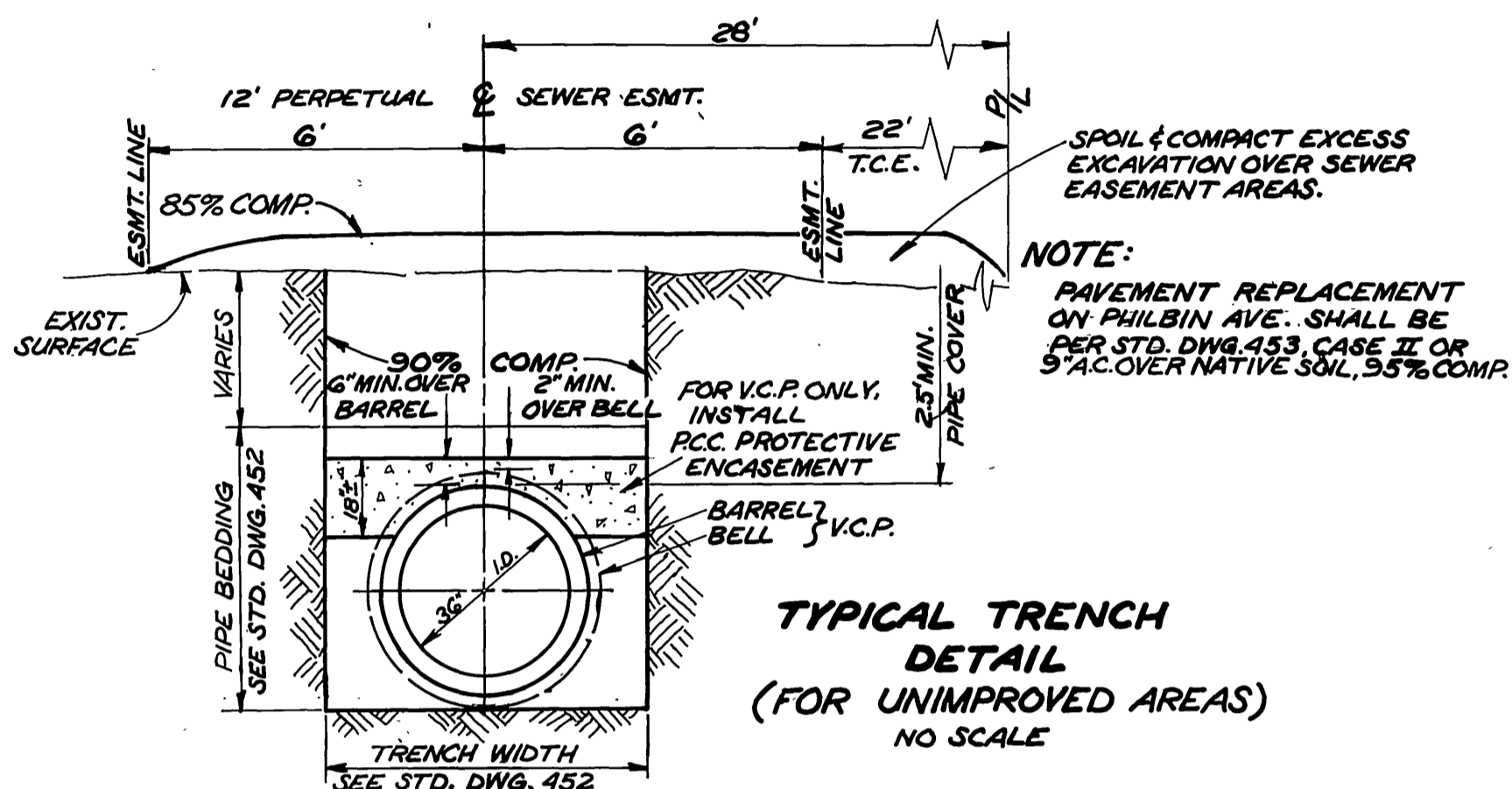
**PUBLIC WORKS DEPARTMENT**

**MEGGINSON TRUNK  
SEWER EXTENSION**

VAN BUREN BLVD. TO CHALLENGE AVE.

**PHASE I**

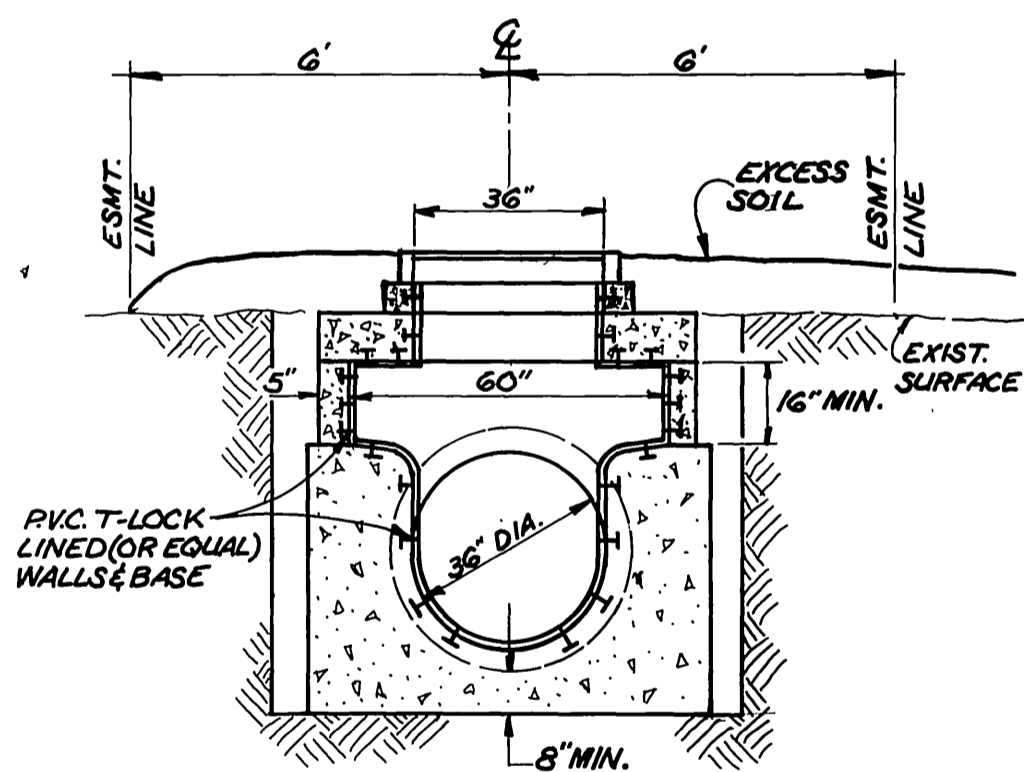
**CONSTRUCTION LEGEND**



**SPECIFIC CONSTRUCTION NOTES**

NUMBERS ABOVE 100 IN A HEXAGON ON THE PLAN REFER TO THE RESPECTIVE STANDARD DRAWING AND SHALL BE CONSTRUCTED ACCORDINGLY, UNLESS MODIFICATIONS ARE NOTED ON THE PLAN OR COVER SHEET BELOW.


CONSTRUCT 36" DIA. MANHOLE PER C/R STD. DWG. NO. 500 (MODIFIED) WITH CONCENTRIC FLAT TOP AND 36" DIA. GRADE RINGS (6" HIGH) SEE NOTE 3 BELOW. FRAME AND COVER TO BE ALHAMBRA FOUNDRY NO. R-125 (36") OR APPROVED EQUAL. ALL MANHOLES TO HAVE P.V.C. LINED WALLS & BASE.



**TYPICAL MANHOLE DETAIL**  
NO SCALE

FOR DETAILS NOT SHOWN SEE STD. DWG. NO. 500 ATTACHED TO PROPOSAL PACKAGE & DELETED NOTES THEREON DO NOT APPLY TO THIS PROJECT.

**GENERAL CONSTRUCTION NOTES**

- PIPE SHALL BE 36" V.C.P. CASE II BEDDING (ALTERNATE I) OR 36" LINED RCP CASE I BEDDING (ALTERNATE II) INSTALLED PER C/R STD. 452, EXCEPT AS NOTED BELOW.
- FOR ALTERNATE II, CASE II BEDDING SHALL BE USED IN LIEU OF CASE I BEDDING AT THE DIRECTION OF THE ENGINEER WHERE ROCK OR UNSTABLE MATERIAL IS ENCOUNTERED IN THE EXCAVATION.
- ALL MANHOLE SHAFTS SHALL BE PRECAST CONCRETE (NOT BRICK) AS MANUFACTURED BY INLAND CONCRETE ENTERPRISES (714-682-2833) OR APPROVED EQUAL.
- PHASE I CONSTRUCTION CONSISTS OF INSTALLING THE TRUNK SEWER BETWEEN STATIONS 43+65 & 53+39 AND PROVIDING A TEMPORARY BY-PASS CONNECTION INTO THE EXISTING 8-INCH SEWER AT KEY WEST DR. THIS PHASE IS INTENDED TO PRECEDE A PENDING DEVELOPMENT WITHIN THE PARCEL FRONTING VAN BUREN BLVD. AND AT THE IMMEDIATE END OF KEY WEST DR.
- EXISTING UTILITIES SHOWN ON PLANS ARE PLOTTED FROM UTILITY RECORDS. THE CONTRACTOR IS REQUIRED TO TAKE DUE PRECAUTIONARY MEASURES TO LOCATE & PROTECT ALL UTILITIES WHETHER OR NOT SHOWN ON THIS PLAN. IF THE COVER OF A UTILITY IS KNOWN IT IS SHOWN IN THE PROFILE. UTILITIES SHOWN IN THE PROFILE AS  INDICATES THAT THE COVER IS UNKNOWN, BUT THE UTILITY IS NOT EXPECTED TO CONFLICT WITH THE PROPOSED IMPROVEMENTS.
- ALL ELEVATIONS SHOWN ON THE PLAN SHALL BE STAKED IN THE FIELD.
- SEWER LATERAL LOCATIONS ARE APPROXIMATE AND SHALL BE LOCATED IN THE FIELD BY CONTRACTOR WITHIN 1 FT. OF PLAN STATION.

**EXISTING UNDERGROUND & TOPOGRAPHY LEGEND**

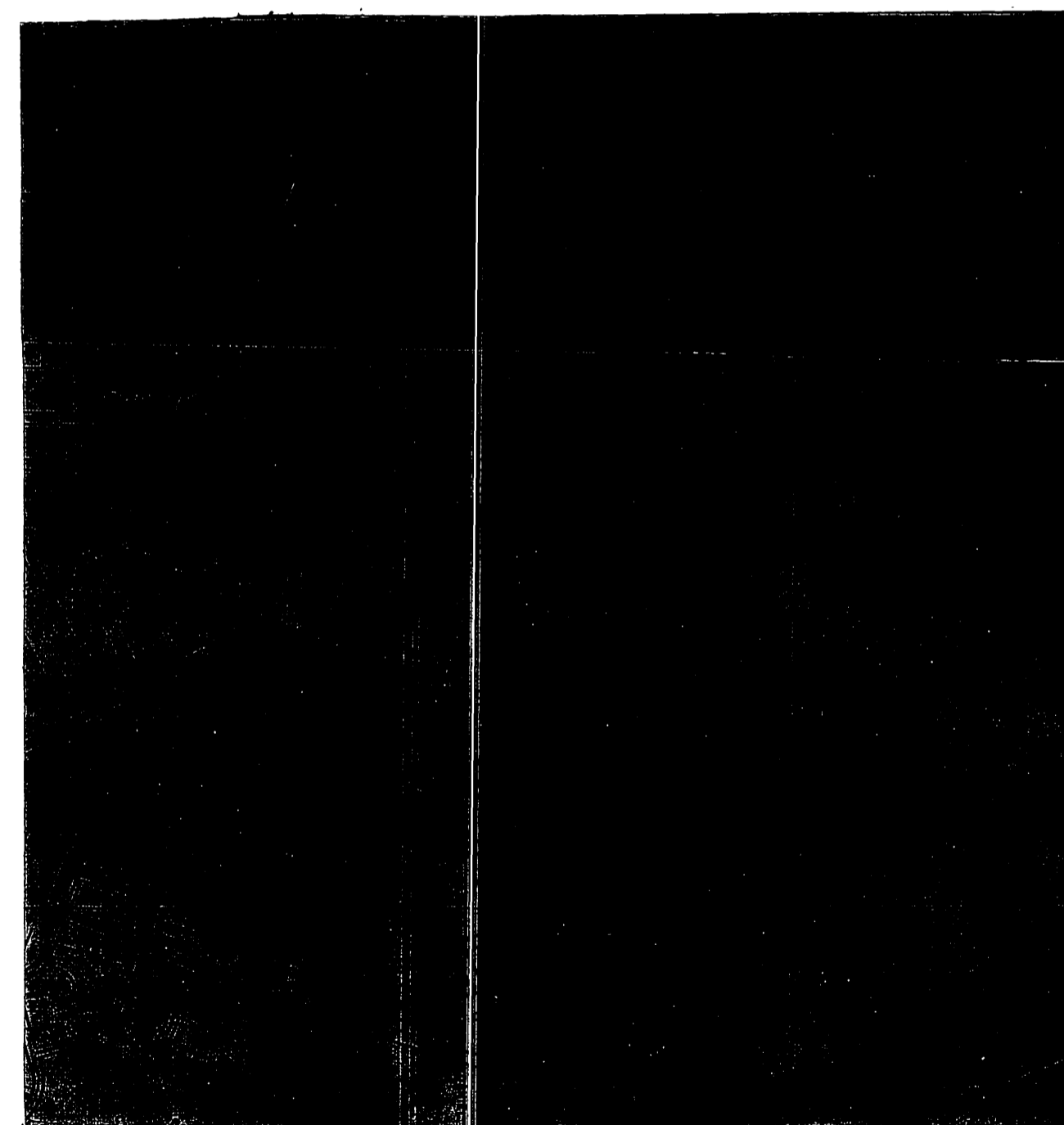
**EXISTING UNDERGROUND UTILITIES:**

SANITARY SEWER	8" S	TELEPHONE CONDUIT	T
WATER LINE	6" W	ELECTRICAL CONDUIT	E
STORM DRAIN	24" S.D.	ELECTROLIER LIGHTING CONDUIT	ELC
GAS LINE	3" G	TRAFFIC SIGNAL	SIG
IRRIGATION LINE	20" IRR	FIRE ALARM	F
ABANDONED UTILITY	6" (ABAND)		

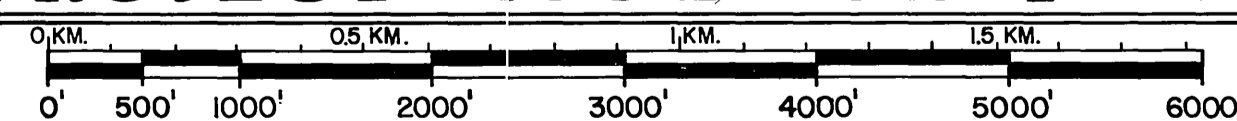
**EXISTING TOPOGRAPHY:**



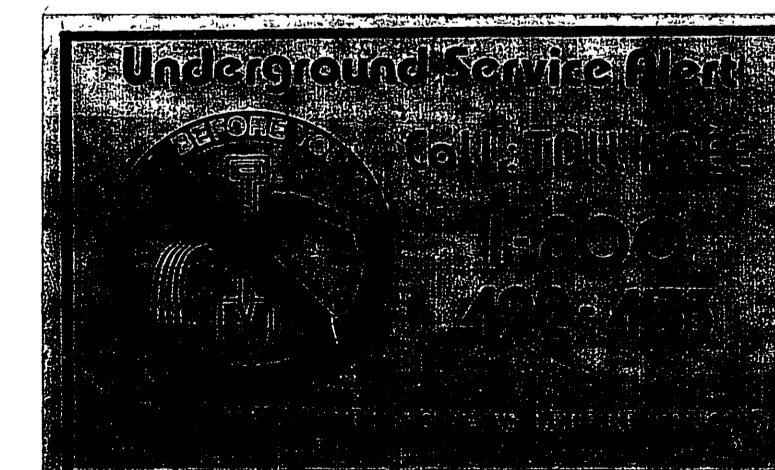
① SANITARY SEWER M.H.	POLE & GUY ANCHOR	PEDESTRIAN PUSH BUTTON
② SANITARY SEWER CLEANOUT	ELECTRIC POLE	RAILROAD TRACKS
③ STORM DRAIN M.H.	TELEPHONE POLE	RAILROAD SIGN
④ IRRIGATION WEIR	JOINT USE POLE	RAILROAD SIGNAL
⑤ WATER M.H.	PULL BOX	STREET LIGHT & TRAFFIC SIGNAL ON MAST ARM
⑥ GAS M.H.	TRAFFIC SIGN	STREET LIGHT (UPRIGHT)
⑦ ELECTRIC M.H.	PARKING METER	STREET LIGHT
⑧ TELEPHONE M.H. OR VAULT	FIRE ALARM BOX	TRAFFIC SIGNAL
⑨ WATER METER	STREET NAME SIGN	TRAFFIC SIGNAL ON MAST ARM
⑩ FIRE HYDRANT	GAS METER	TRAFFIC SIGNAL CONTROLLER
⑪ SPRINKLER HEAD	MAIL BOX	TRAFFIC SIGNAL PRESSURE DETECTOR
⑫ VALVE	FAUCET	TRAFFIC SIGNAL LOOP DETECTOR
⑬ AIR VALVE	TELEPHONE RISER	
⑭ AIR VENT	WHEEL STOP	
	A.C. BERM	
	STEEL POST	
	WOOD POST	
		CITRUS TREE
		DECIDUOUS TREE
		PALM TREE
		SHRUBBERY
		TREE STUMP
		EVERGREEN TREE



**PROJECT LOCATION PLAN**

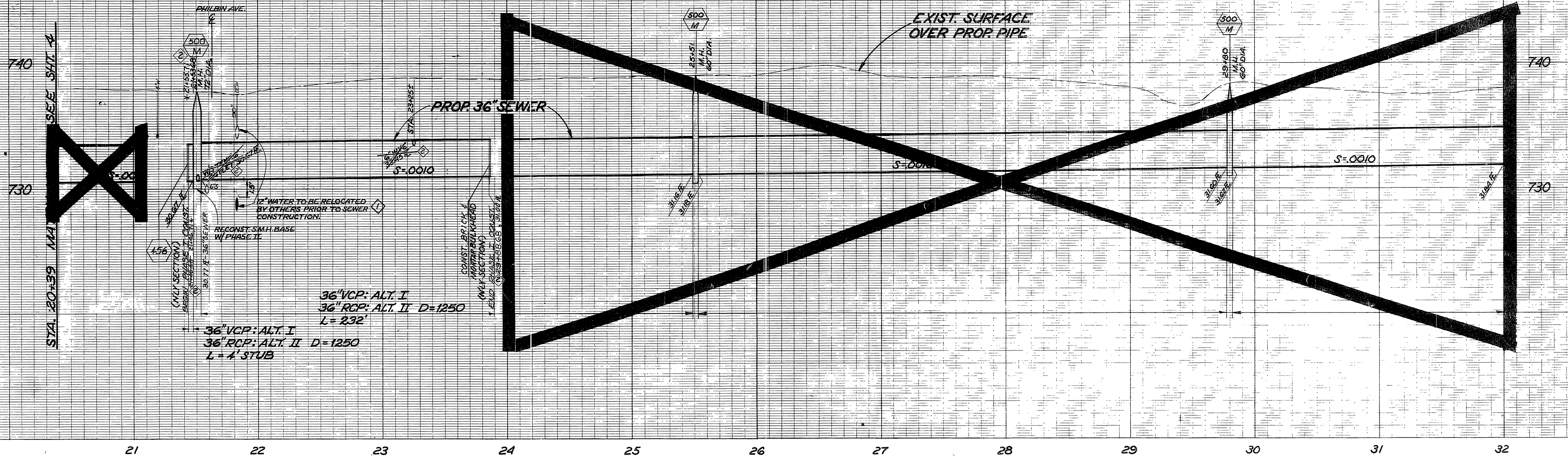


SCALE 1" = 1000'



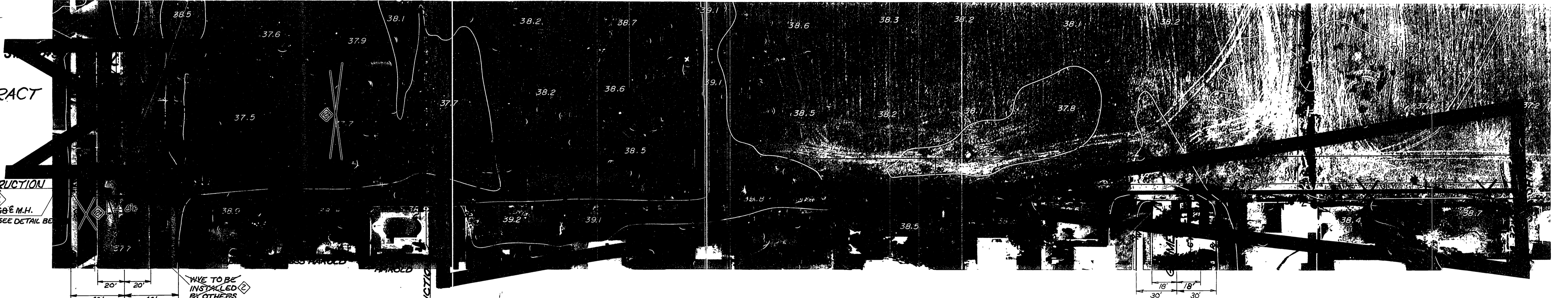
\* AS BUILT 6-27-86 RVZ

<b>CITY OF RIVERSIDE PUBLIC WORKS DEPARTMENT</b>		ACCOUNT No. 32-577-569 DRAWING NUMBER
APPROVED BY: PRINCIPAL ENGINEER PARK DEPARTMENT TRAFFIC DIVISION CHIEF R.W. ENGINEER	BY DATE <i>William D. Sanderson</i> JUN 3 1985	<b>MEGGINSON TRUNK SEWER EXTENSION VAN BUREN BLVD. TO CHALLENGE AVE.</b>
DESIGNED BY <i>JRH</i> DRAWN BY <i>RVZ</i> CHECKED BY <i>RCM</i>		<b>S-1329 (PHASE I SHT. 1 OF 3) SHEET 1 OF 8</b>



NOT IN PHASE I CONTRACT

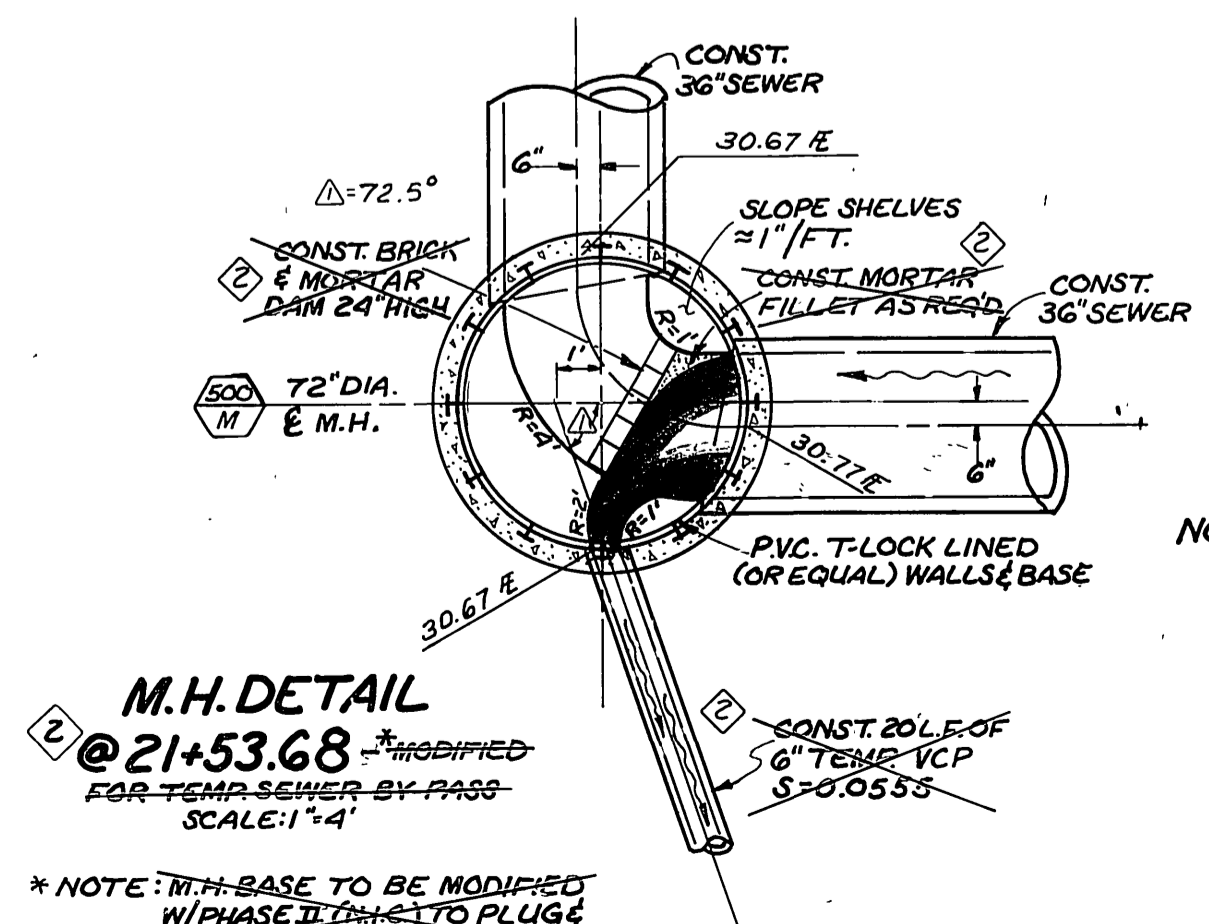
(N'LY SECTION) BEGIN PHASE I CONSTRUCTION  
 21+46.71\* - 21+46.68  
 21+53.71\* - 21+53.68 E.M.H.  
 72" DIA. (SEE DETAIL BE)



NOTE: OVERHEAD ELECTRIC LINES EXIST ADJACENT TO W'LY SIDE OF 12" SEWER EASEMENT.

NOTE: TEMP SEWER BY-PASS SHALL NOT BE CONSTRUCTED. M.H. SHALL BE CHANNELLED WITH TYPICAL 90° BEND.

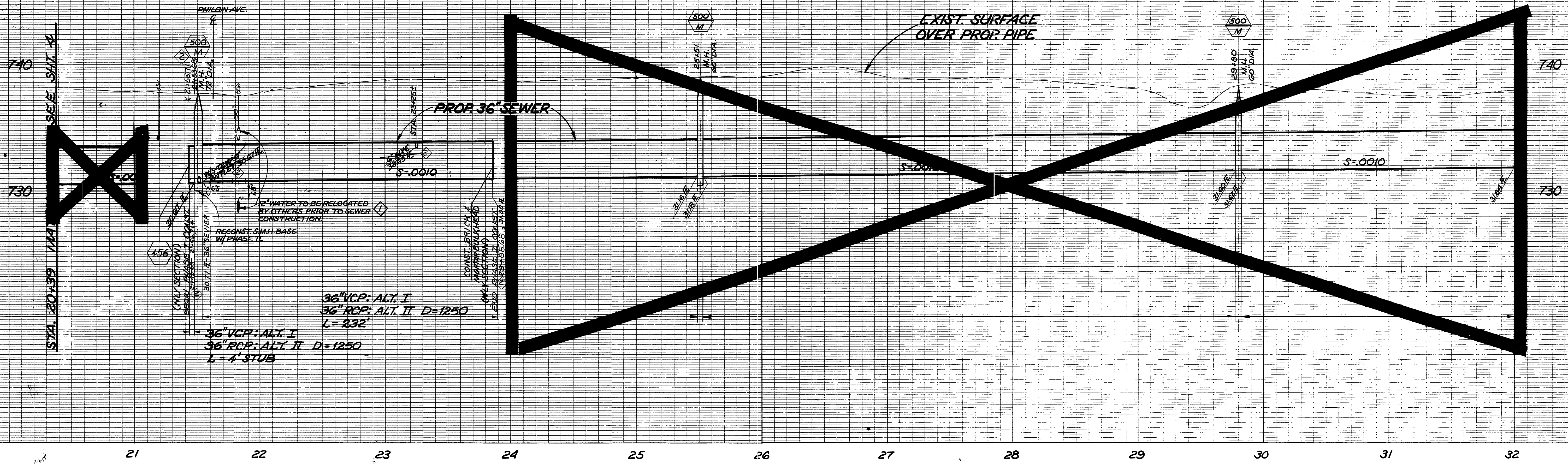
NOT IN PHASE I CONTRACT



\* NOTE: TEMP BASE TO BE MODIFIED W/PHASE I CONSTRUCTION TO PLUG & ABANDON 6" BY-PASS LINE.

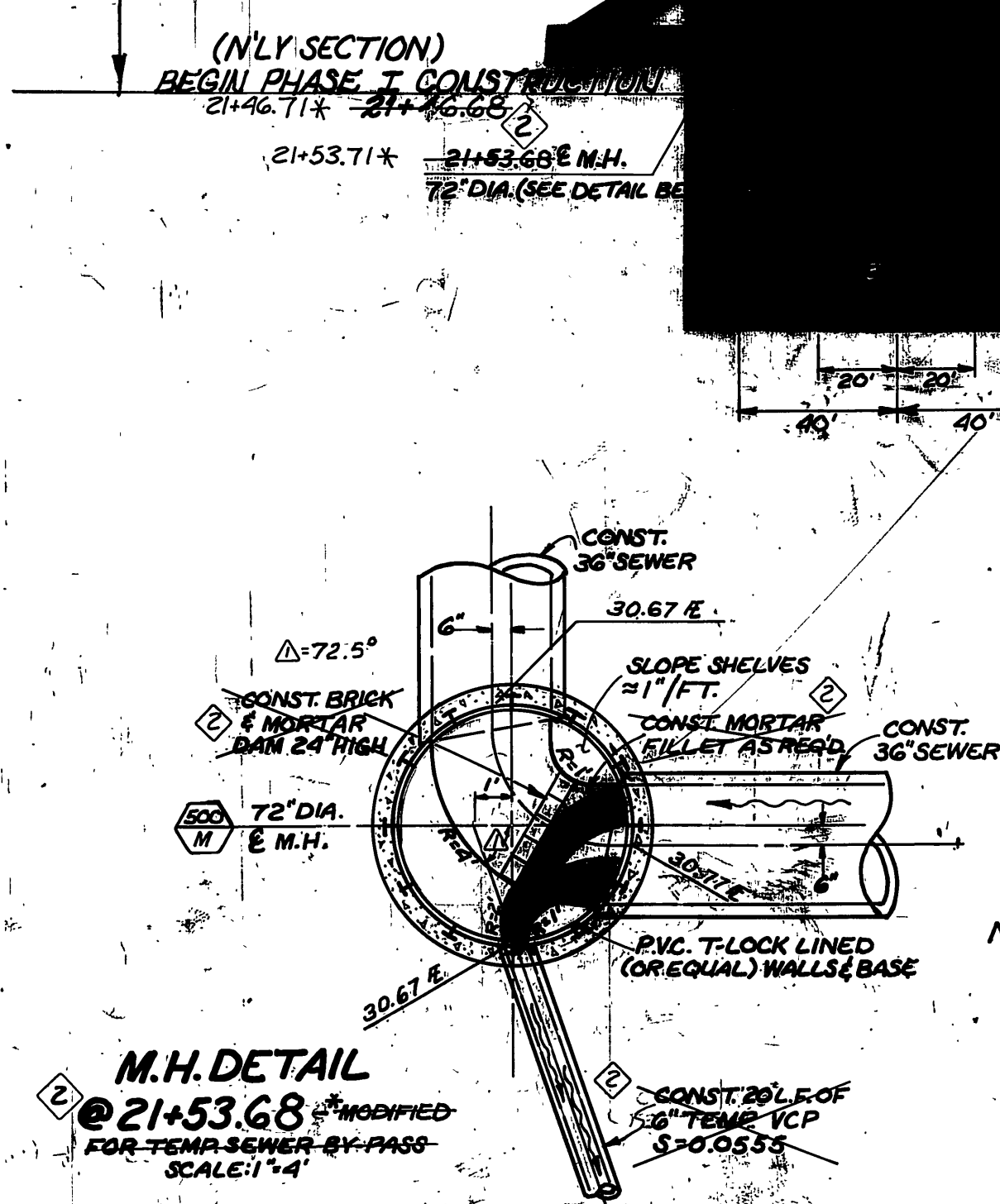
* AS BUILT 9-16-87 RVZ (1) ADDED NOTE FOR WATER RELOCATION (FILE 1/1/88) (2) REVISE STAS TO COINCIDE W/PHASE II & OMIT CONST. OF 6" TEMP VCP BY-PASS (FILE 8/22/88)	<b>CITY OF RIVERSIDE</b> PUBLIC WORKS DEPARTMENT APPROVED BY: <i>W.D. Hansen</i> PRINCIPAL ENGINEER PARK DEPARTMENT TRAFFIC DIVISION CHIEF P.W. ENGINEER	APPROVED BY: PUBLIC WORKS DIRECTOR DATE: <b>JUNE 3, 1985</b>	<b>MEGGINSON TRUNK SEWER EXTENSION</b> VAN BUREN BLVD. TO CHALLENGER AVE. HORIZ. SCALE: 1"=40'    VERT. SCALE: 1"=4'	INDEXED P.A. ACCOUNT NO. 32-577-669 <b>S-1329</b> (PHASE I SH. 2 OF 3) SHEET 5 OF 8 FILE NO.
--	--	--	--	---

66



NOT IN PHASE I CONTRACT

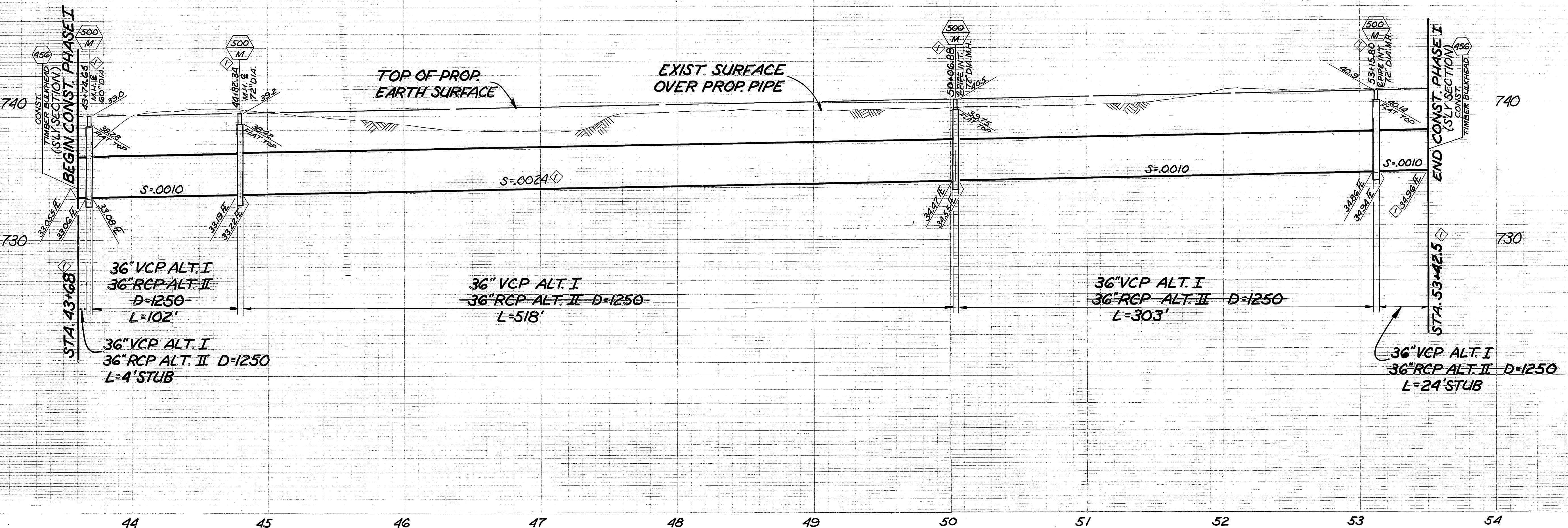
NOT IN PHASE I CONTRACT



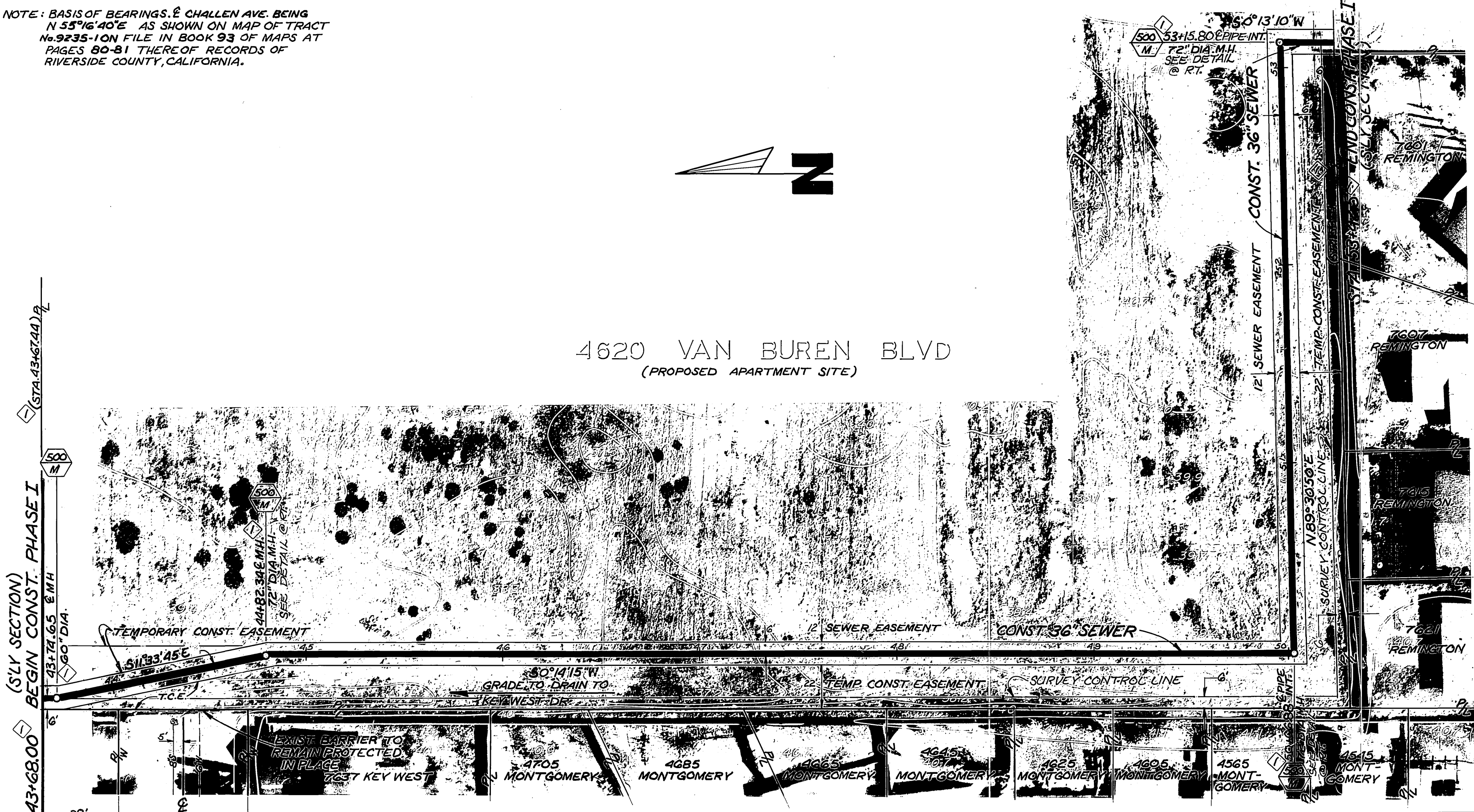
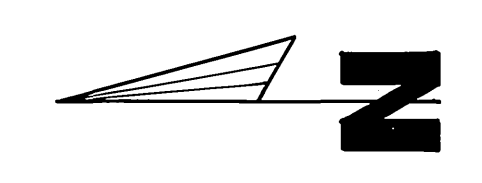
**M.H. DETAIL**  
 @ 21+53.68 MODIFIED  
 FOR TEMP. SEWER BY-PASS  
 SCALE: 1" = 4'

NOTE: TEMP. SEWER BY-PASS SHALL NOT BE CONSTRUCTED. M.H. SHALL BE CHANNELLED WITH TYPICAL 90° BEND.

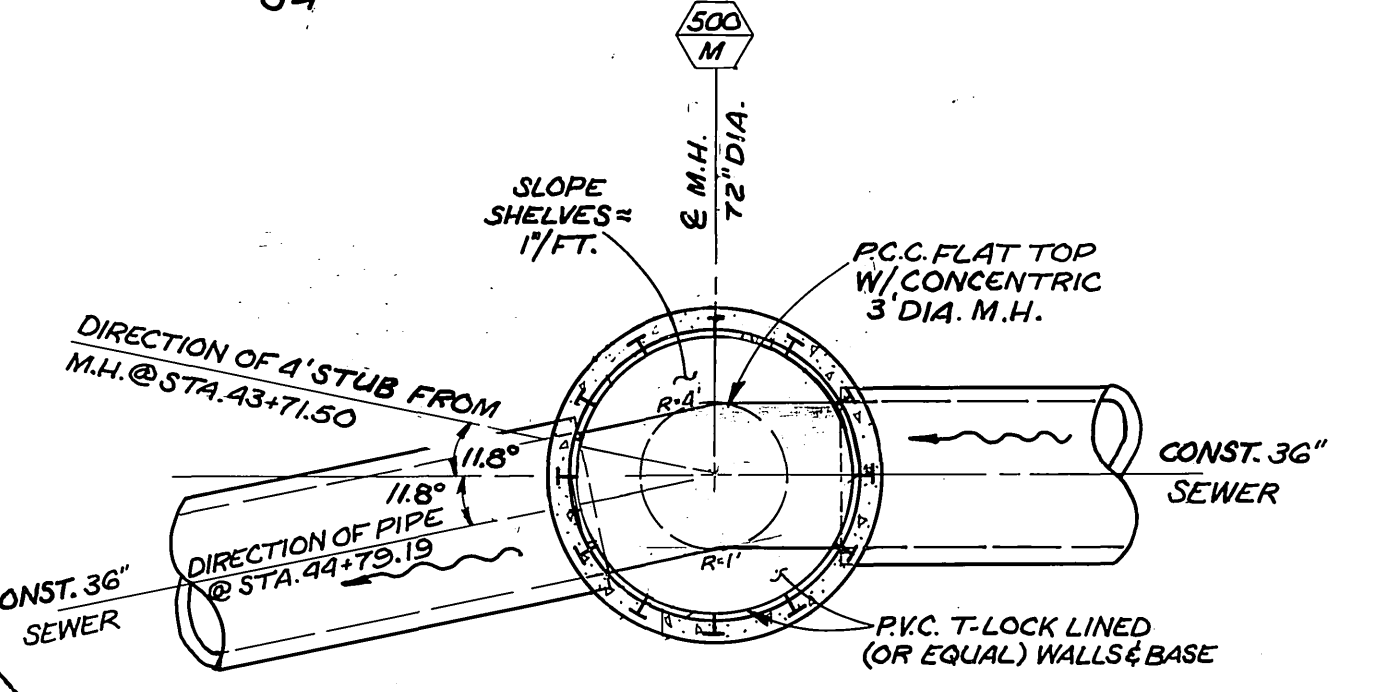
* AS BUILT 9-16-87 RVZ		* AS BUILT 6-27-86 RVZ		INDEXED D.A.
ADDED NOTE FOR WATER RELOCATION	REVISE STAS TO COINCIDE W/ PHASE II 2	OMIT CONST. OF 6" TEMP. VCP BY-PASS		ACCOUNT NO. 32-577-569
<b>CITY OF RIVERSIDE</b> PUBLIC WORKS DEPARTMENT		<b>MEGGINSON TRUNK SEWER EXTENSION</b> VAN BUREN BLVD. TO CHALLENGE AVE.		<b>S-1329</b> (PHASE I SH. 2 of 3) SHEET 5 OF 6
		APPROVED BY PRINCIPAL ENGINEER PARK DEPARTMENT TRAFFIC DIVISION CHIEF P.W. ENGINEER	APPROVED BY PUBLIC WORKS DIRECTOR	
DESIGNED BY	DRAWN BY	CHECKED BY	DATE	HORIZ. SCALE: 1" = 40'
				VERT. SCALE: 1" = 4'



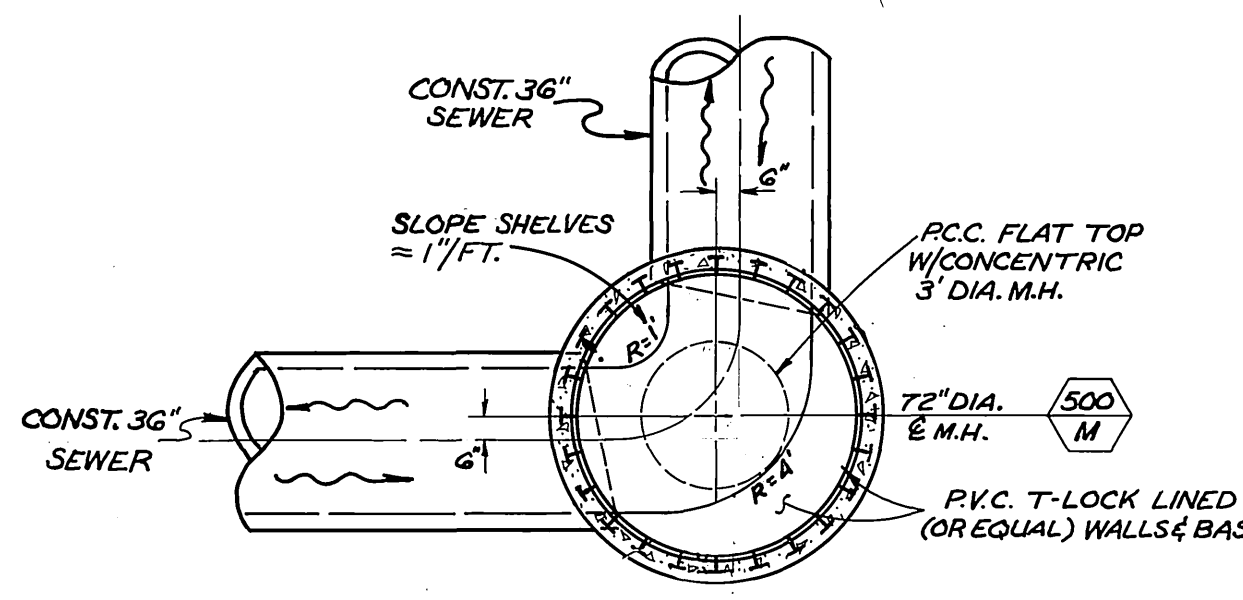
NOTE: BASIS OF BEARINGS, E CHALLENGE AVE. BEING N 55° 16' 40" E AS SHOWN ON MAP OF TRACT NO. 9235-10N FILE IN BOOK 93 OF MAPS AT PAGES 80-81 THEREOF RECORDS OF RIVERSIDE COUNTY, CALIFORNIA.



NOTE: THE CONSTRUCTION SHOWN ON THIS SHEET WAS COMPLETED IN PHASE I AND IS NOT IN THIS CONTRACT. THIS SHEET IS INCLUDED FOR REFERENCE ONLY.



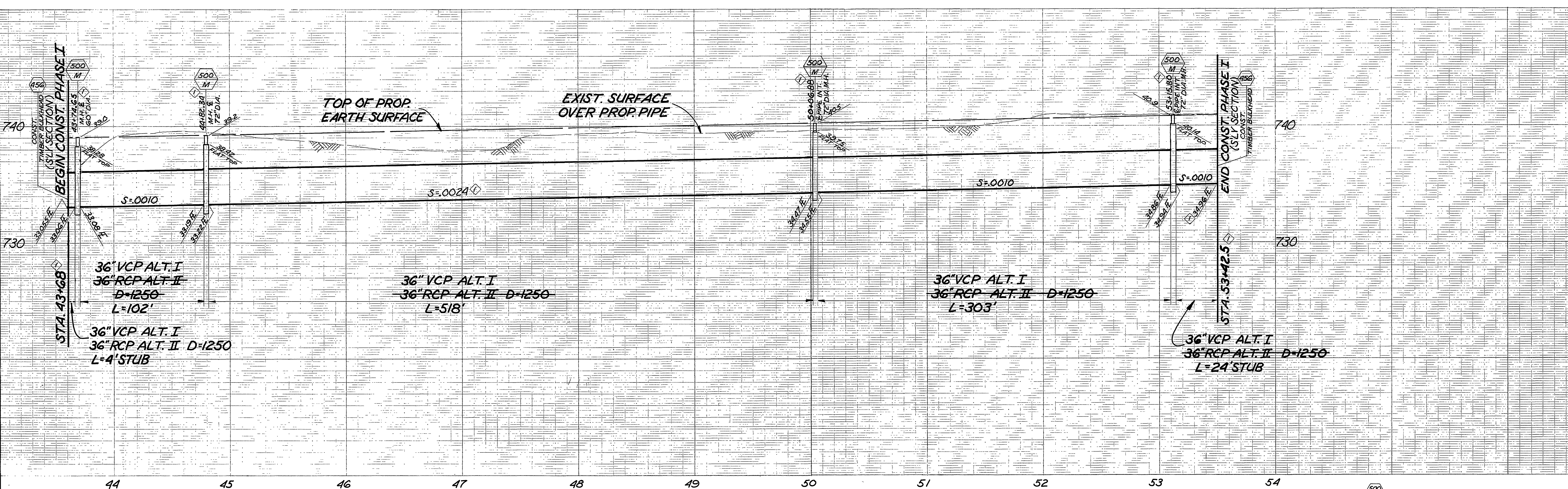
TYPICAL M.H. DETAIL @ STA. 43+74.65 & STA. 44+82.34 SCALE: 1"=4'



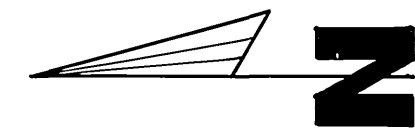
TYPICAL M.H. DETAIL @ STA. 50+06.88 & STA. 53+15.80 SCALE: 1"=4'

PHASE I DETAILS

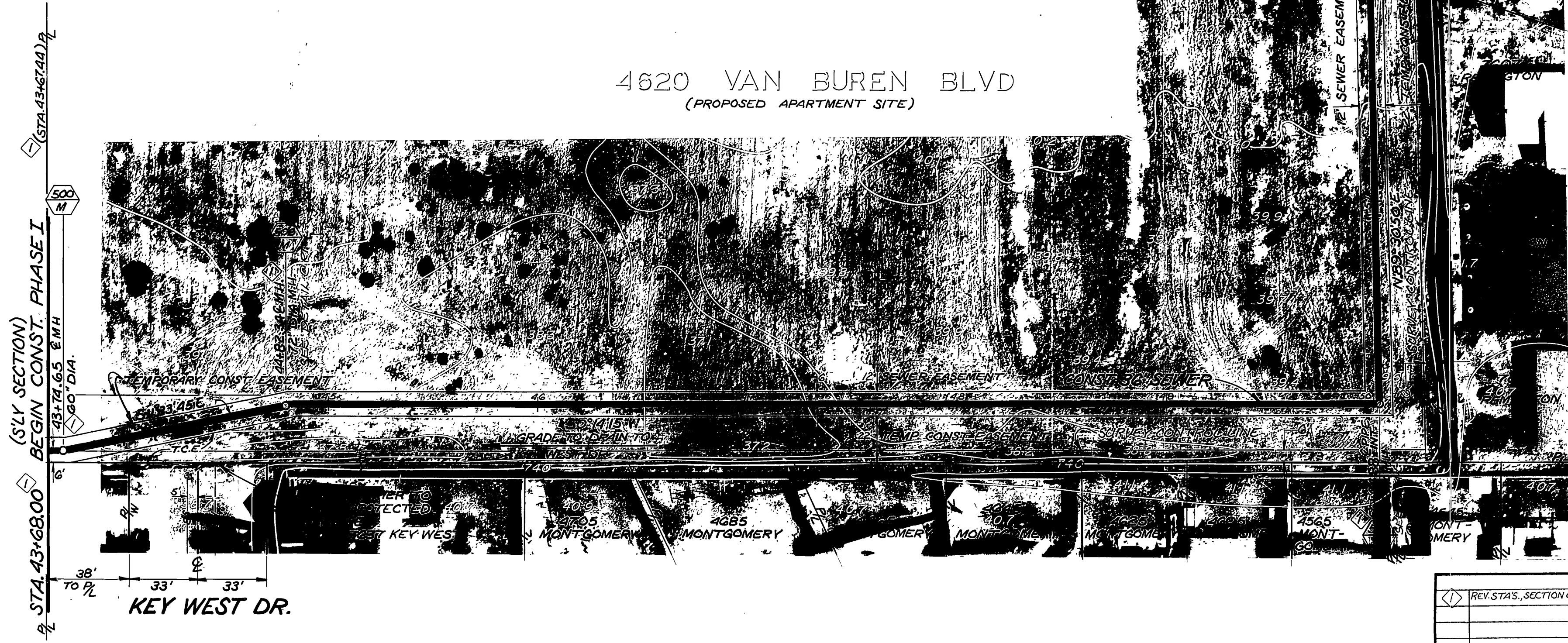
CITY OF RIVERSIDE PUBLIC WORKS DEPARTMENT		MEGGINSON TRUNK SEWER EXTENSION VAN BUREN BLVD. TO CHALLENGE AVE.		INDEXED P.A. ACCOUNT NO. 32-577-569
APPROVED BY PRINCIPAL ENGINEER PARK DEPARTMENT TRAFFIC DIVISION CHIEF P. W. INSPECTOR SURVEYOR		APPROVED BY William D. Gardner PUBLIC WORKS DIRECTOR		S-1329 (PHASE I SHT. 3 OF 3) SHEET 7 OF 9
DESIGNED BY: J.H. DRAWN BY: R.U.Z. CHECKED BY: R.U.Z.		DATE: JUNE 3, 1985		FILE NO.



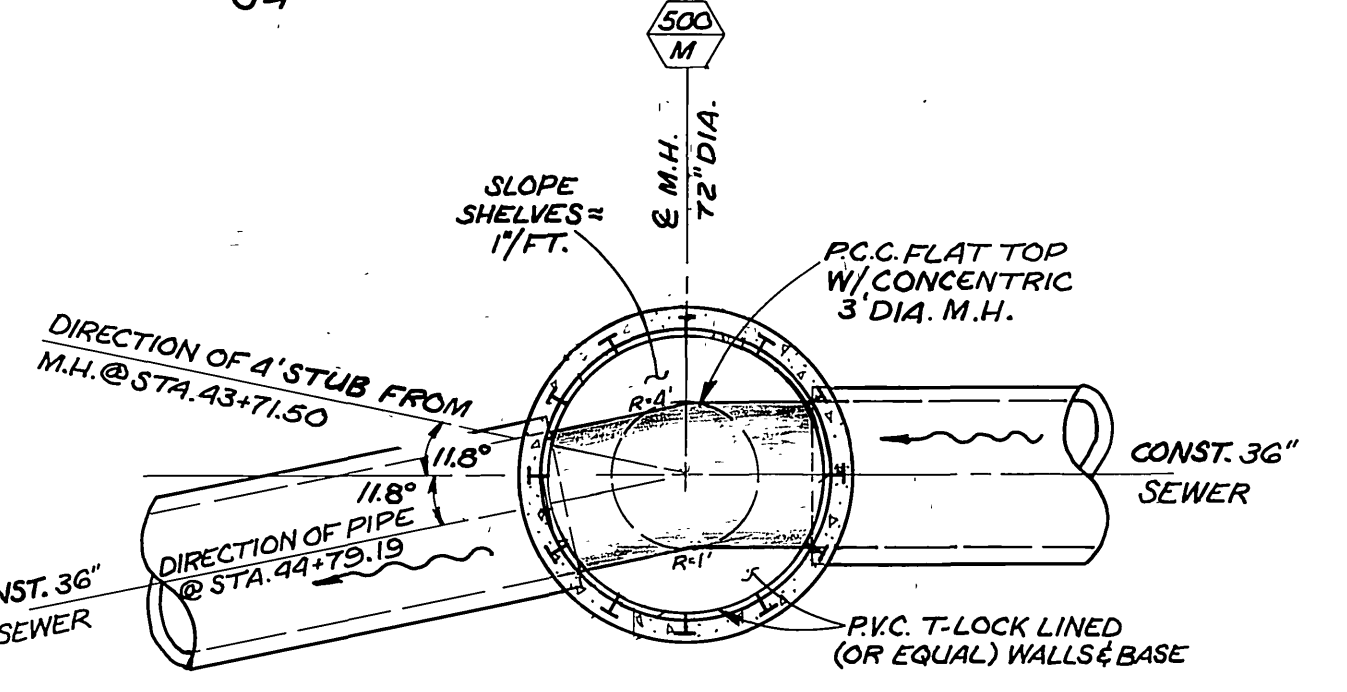
NOTE: BASIS OF BEARINGS, & CHALLENGE AVE BEING N 57°46'40\"/>



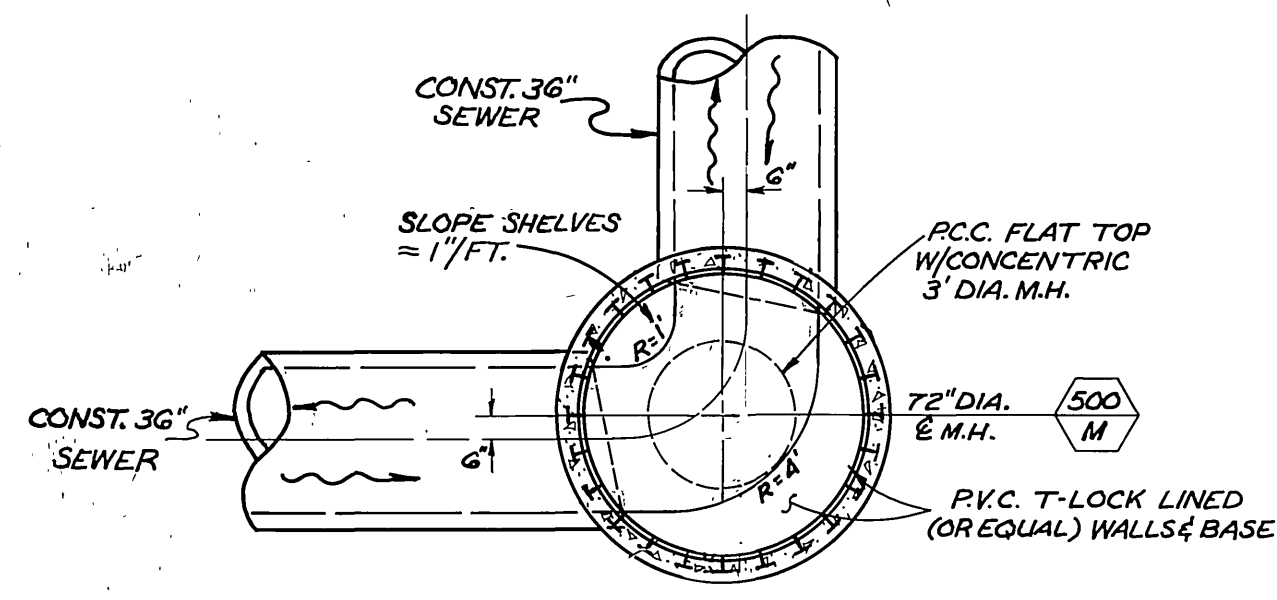
4620 VAN BUREN BLVD  
(PROPOSED APARTMENT SITE)



NOTE: THE CONSTRUCTION SHOWN ON THIS SHEET WAS COMPLETED IN PHASE I AND IS NOT IN THIS CONTRACT. THIS SHEET IS INCLUDED FOR REFERENCE ONLY.



TYPICAL M.H. DETAIL @ STA. 43+74.65 & STA. 44+82.34  
SCALE: 1\"/>



TYPICAL M.H. DETAIL @ STA. 50+06.88 & STA. 53+15.80  
SCALE: 1\"/>

PHASE I DETAILS

CITY OF RIVERSIDE PUBLIC WORKS DEPARTMENT		MEGGINSON TRUNK SEWER EXTENSION VAN BUREN BLVD. TO CHALLENGE AVE.		INDEXED P.A. ACCOUNT NO. 32-577-569
APPROVED BY PRINCIPAL ENGINEER PARK DEPARTMENT TRAFFIC DIVISION	APPROVED BY W. S. ... PUBLIC WORKS DIRECTOR	DATE: JUNE 3, 1985		S-1329 (PHASE I SHT. 3 OF 3) SHEET 7 OF 9
DESIGNED BY: J.H. DRAWN BY: R.V.Z. CHECKED BY: A.C.M.	CHIEF P.W. INSPECTOR SURVEYOR	HORIZ. SCALE: 1" = 40' VERT. SCALE: 1" = 4'	FILE NO.	