

INCORPORATED 1883
CITY OF RIVERSIDE CALIFORNIA

RIVERSIDE CALIFORNIA

PUBLIC WORKS DEPARTMENT

MEGGINSON TRUNK SEWER EXTENSION

VAN BUREN BLVD. TO CHALLENGE AVE.

PHASE I SUPPLEMENTAL CONTRACT

PHASE I
SUPPLEMENTAL CONTRACT

CONSTRUCTION LEGEND

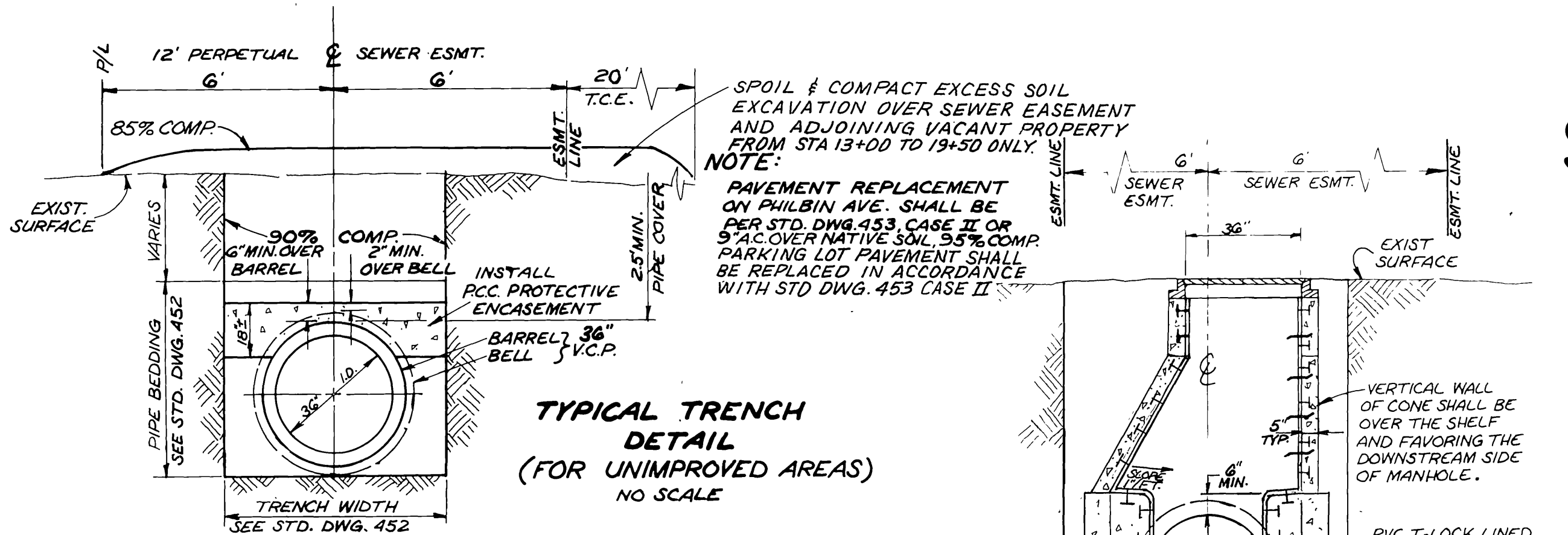


EXISTING UNDERGROUND & TOPOGRAPHY LEGEND

EXISTING UNDERGROUND UTILITIES

SANITARY SEWER	8" S	TELEPHONE CONDUIT	T
WATER LINE	6" W	ELECTRICAL CONDUIT	E
STORM DRAIN	24" S D	ELECTROLIER LIGHTING CONDUIT	ELC
GAS LINE	3" S	TRAFFIC SIGNAL	SIG
IRRIGATION LINE	20" IRR	FIRE ALARM	F
ABANDONED UTILITY	6" G (ABAND)		

EXISTING TOPOGRAPHY

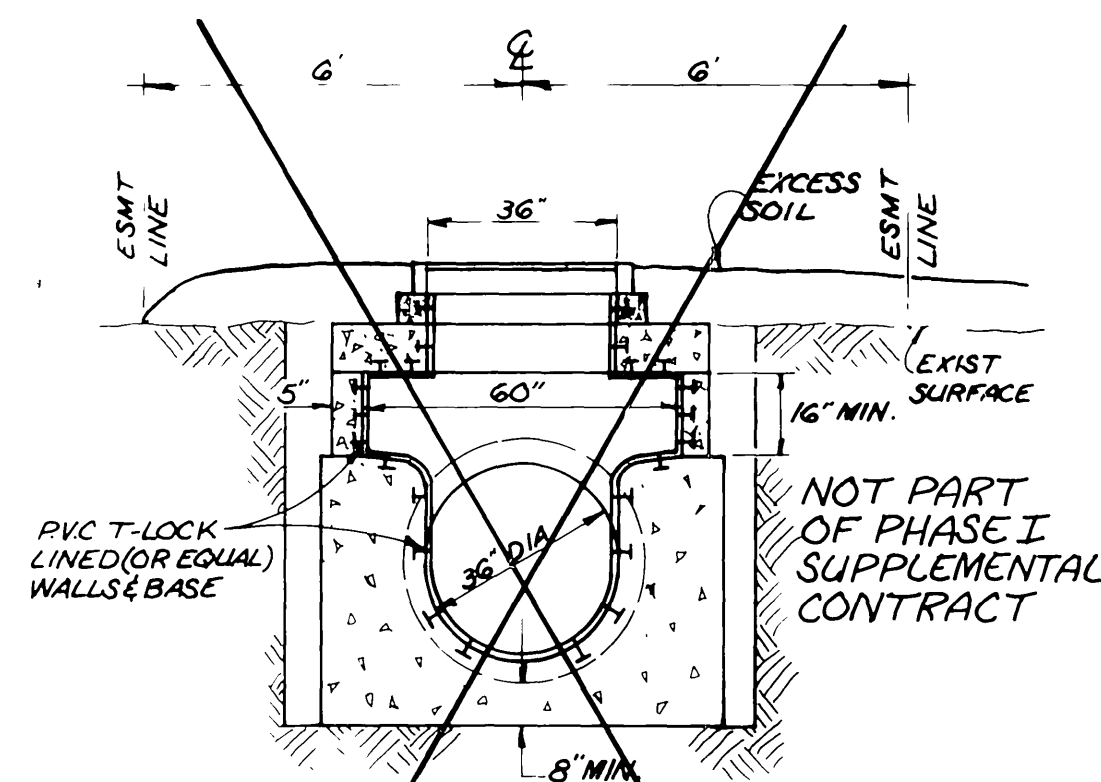


SPECIFIC CONSTRUCTION NOTES

NUMBERS ABOVE 100 IN A HEXAGON ON THE PLAN REFER TO THE RESPECTIVE STANDARD DRAWING AND SHALL BE CONSTRUCTED ACCORDINGLY, UNLESS MODIFICATIONS ARE NOTED ON THE PLAN OR COVER SHEET BELOW. ANY NUMBER SHOWN BELOW THE STANDARD DRAWING NUMBER INDICATES THE SPECIFIC ALTERNATE TO BE CONSTRUCTED.

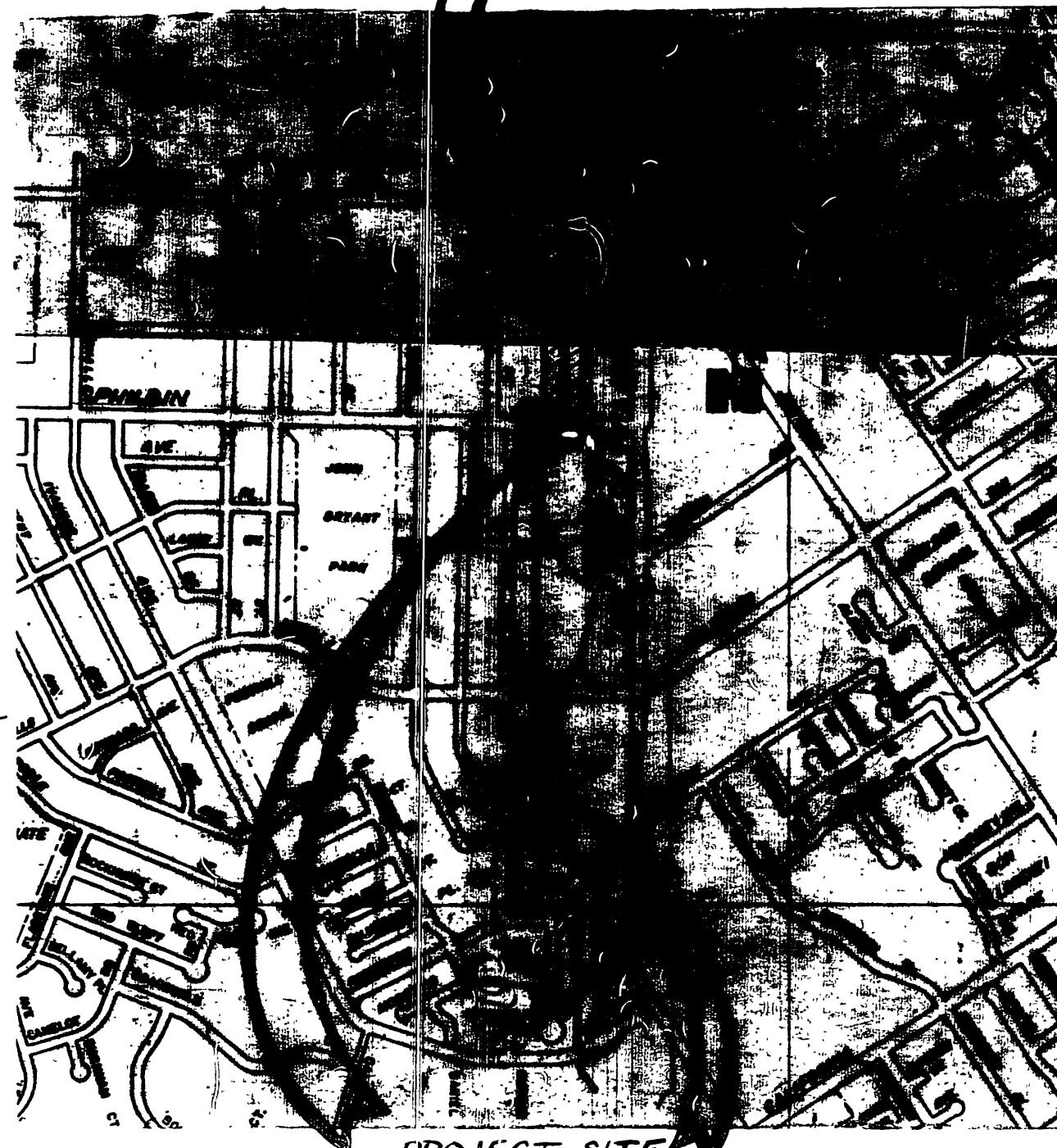
CONSTRUCT 500MM MANHOLE PER C/R STD. DWG. NO. 500 (MODIFIED) WITH CONCENTRIC FLUES TOP AND 36" DIA. GRADE RINGS (6" HIGH) - SEE NOTE 3 BELOW. FRAME AND COVER TO BE ALHAMBRA TOWNDRY NO. 12-125 (36") OR APPROVED EQUAL. ALL MANHOLES TO HAVE PVC LINED WALLS & BASE.

TYPICAL MANHOLE DETAIL NO SCALE

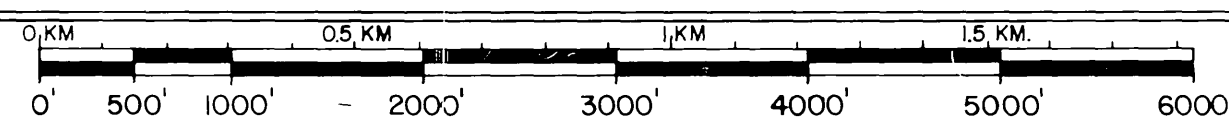


TYPICAL MANHOLE DETAIL NO SCALE

FOR DETAILS NOT SHOWN SEE STD. DWG. NO. 500 ATTACHED TO PROPOSAL PACKAGE & DELETED NOTES THEREON DO NOT APPLY TO THIS PROJECT.



PROJECT LOCATION PLAN



SCALE 1" = 1000'

GENERAL CONSTRUCTION NOTES

- PIPE SHALL BE 36" VCP, CASE II BEDDING (ALTERNATE I) OR 36" LINED BEDDING (ALTERNATE II) INSTALLED PER C/R STD. 452, EXCEPT AS NOTED BELOW.
- FOR ALTERNATE II, CASE II BEDDING SHALL BE USED IN LIEU OF CASE I BEDDING AT THE DIRECTION OF THE ENGINEER WHERE ROCK OR UNSTABLE MATERIAL IS ENCOUNTERED IN THE EXCAVATION.
- ALL MANHOLE SHAFTS SHALL BE PRECAST CONCRETE (NOT BRICK) AS MANUFACTURED BY INLAND CONCRETE ENTERPRISES (714-682-2833) OR APPROVED EQUAL.
- PHASE I CONSTRUCTION CONSISTS OF INSTALLING THE TRUNK SEWER BETWEEN STATIONS 43+65 & 53+39 AND PROVIDING A TEMPORARY BY-PASS CONNECTION INTO THE EXISTING 8-INCH SEWER AT KEY WEST DR. THIS PHASE IS INTENDED TO PRECEDE A PENDING DEVELOPMENT WITHIN THE BARREL FRONTING VAN BUREN BLVD. AND AT THE IMMEDIATE END OF KEY WEST DR.
- EXISTING UTILITIES SHOWN ON PLANS ARE PLOTTED FROM UTILITY RECORDS. THE CONTRACTOR IS REQUIRED TO TAKE DUE PRECAUTIONARY MEASURES TO LOCATE & PROTECT ALL UTILITIES WHETHER OR NOT SHOWN ON THIS PLAN. IF THE COVER OF A UTILITY IS KNOWN IT IS SHOWN IN THE PROFILE. UTILITIES SHOWN IN THE PROFILE AS 'X' INDICATES THAT THE COVER IS UNKNOWN, BUT THE UTILITY IS NOT EXPECTED TO CONFLICT WITH THE PROPOSED IMPROVEMENTS.
- ALL ELEVATIONS SHOWN ON THE PLAN SHALL BE STAKED IN THE FIELD.
- SEWER LATERAL LOCATIONS ARE APPROXIMATE AND SHALL BE LOCATED IN THE FIELD BY CONTRACTOR WITHIN 1 FT. OF PLAN STATION.

1 SANITARY SEWER MH	2 ELECTRIC POLE	3 PEDESTRIAN PUSH BUTTON
10 SANITARY SEWER CLEANOUT	4 TELEPHONE POLE	4 RAILROAD TRACKS
5 STORM DRAIN MH	5 JOINT USE POLE	5 RAILROAD SIGN
6 IRRIGATION WEIR	6 PULL BOX	6 STREET LIGHT & TRAFFIC SIGNAL ON MAST ARM
7 WATER MH	7 TRAFFIC SIGN	7 STREET LIGHT (UPRIGHT)
8 GAS MH	8 PARKING METER	8 STREET LIGHT
9 ELECTRIC MH	9 FIRE ALARM BOX	9 TRAFFIC SIGNAL
10 TELEPHONE MH OR VAULT	10 STREET NAME SIGN	10 TRAFFIC SIGNAL ON MAST ARM
11 WATER METER	11 GAS METER	11 TRAFFIC SIGNAL CONTROLLER
12 FIRE HYDRANT	12 MAIL BOX	12 TRAFFIC SIGNAL PRESSURE DETECTOR
13 SPRINKLER HEAD	13 FAUCET	13 TRAFFIC SIGNAL LOOP DETECTOR
14 VALVE	14 TELEPHONE RISER	
15 AIR VALVE	15 WHEEL STOP	
16 AIR VENT	16 A.C. BERM	
	17 STEEL POST	
	18 WOOD POST	
		19 CITRUS TREE
		20 DECIDUOUS TREE
		21 PALM TREE
		22 SHRUBBERY
		23 TREE STUMP
		24 EVERGREEN TREE

QUANTITIES FOR PHASE I SUPP. CONTRACT:

No.	Item	Quantity	Unit
1	Clearing & Grubbing	--	L.S.
2	60-inch Plastic Lined Manhole Per Std. No. 500 Mod.	3	Ea.
3	72-inch Plastic Lined Manhole Per Std. No. 500 Mod.	1	Ea.
4	8-inch VCP, Case II Bedding	5	L.F.
5	Construct Timber Bulkhead	1	Ea.
6	36-inch VCP, Case II Bedding, including 222 Feet of PCC Encasement	1,145	L.F.

Underground Service Alert
Call: TOLL FREE
1-800-422-4133
TWO WORKING DAYS BEFORE YOU DIG

* AS BUILT 6-27-86 RVZ

CITY OF RIVERSIDE PUBLIC WORKS DEPARTMENT		MEGGINSON TRUNK SEWER EXTENSION VAN BUREN BLVD. TO CHALLENGE AVE. PHASE I SUPPLEMENTAL CONTRACT	INDEXED D.A. ACCOUNT No. 32-577-569 DRAWING NUMBER S-1329 SHEET 1 OF 4
APPROVED BY PRINCIPAL ENGINEER PARK DEPARTMENT TRAFFIC DIVISION CHIEF P.W. INSPECTOR SURVEYOR	BY DATE 12/20/85	APPROVED BY PUBLIC WORKS DIRECTOR DATE 12.20.85	DESIGNED BY JRH DRAWN BY RVZ CHECKED BY ACM

RIVERSIDE CITY OF RIVERSIDE CALIFORNIA

PUBLIC WORKS DEPARTMENT

MEGGINSON TRUNK SEWER EXTENSION VAN BUREN BLVD. TO CHALLENGE AVE.

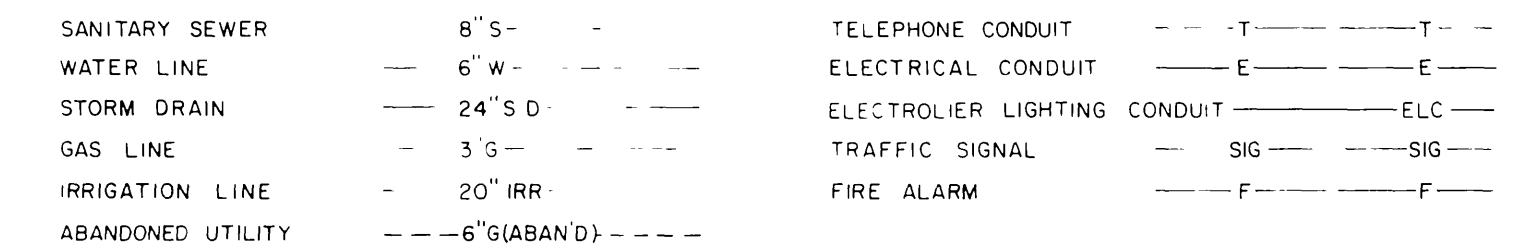
PHASE I SUPPLEMENTAL CONTRACT

CONSTRUCTION LEGEND

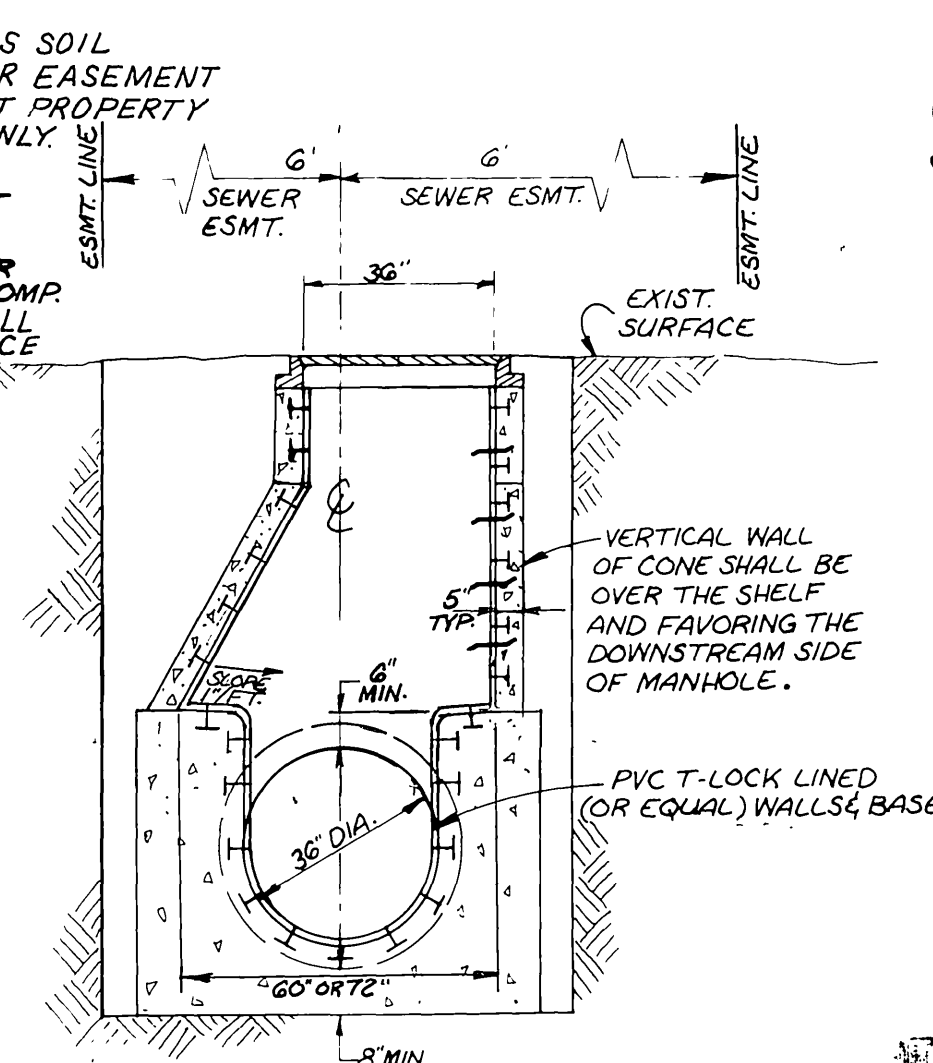
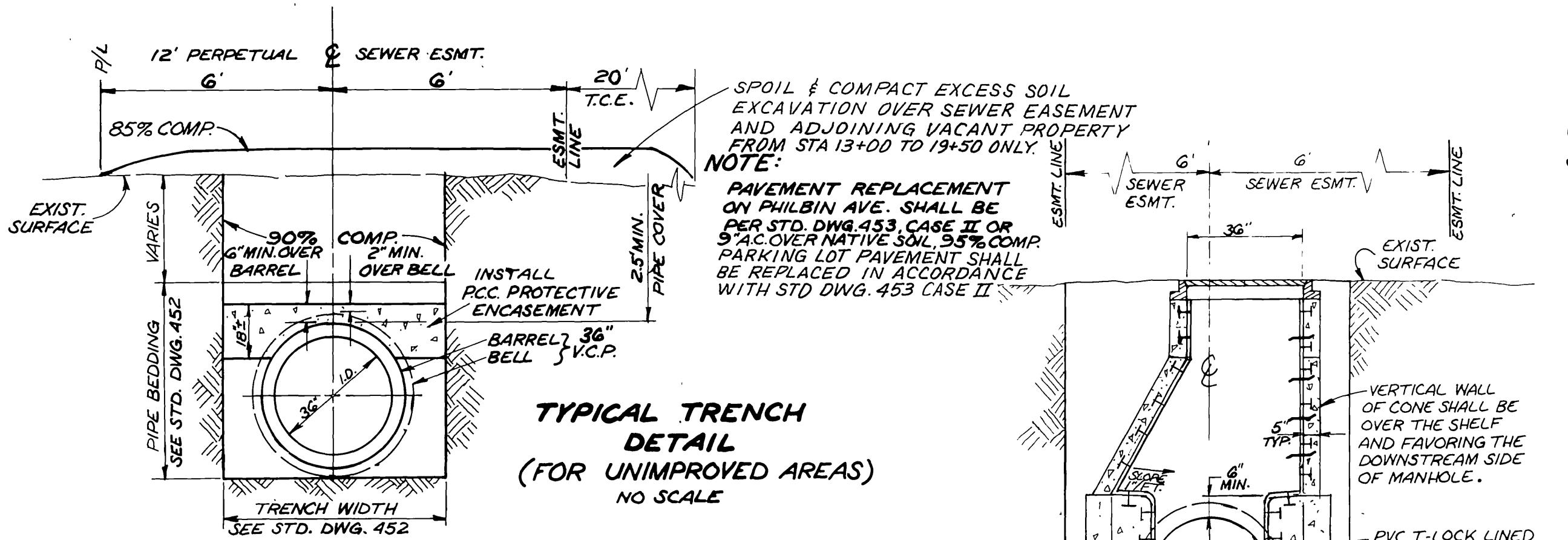


EXISTING UNDERGROUND & TOPOGRAPHY LEGEND

EXISTING UNDERGROUND UTILITIES



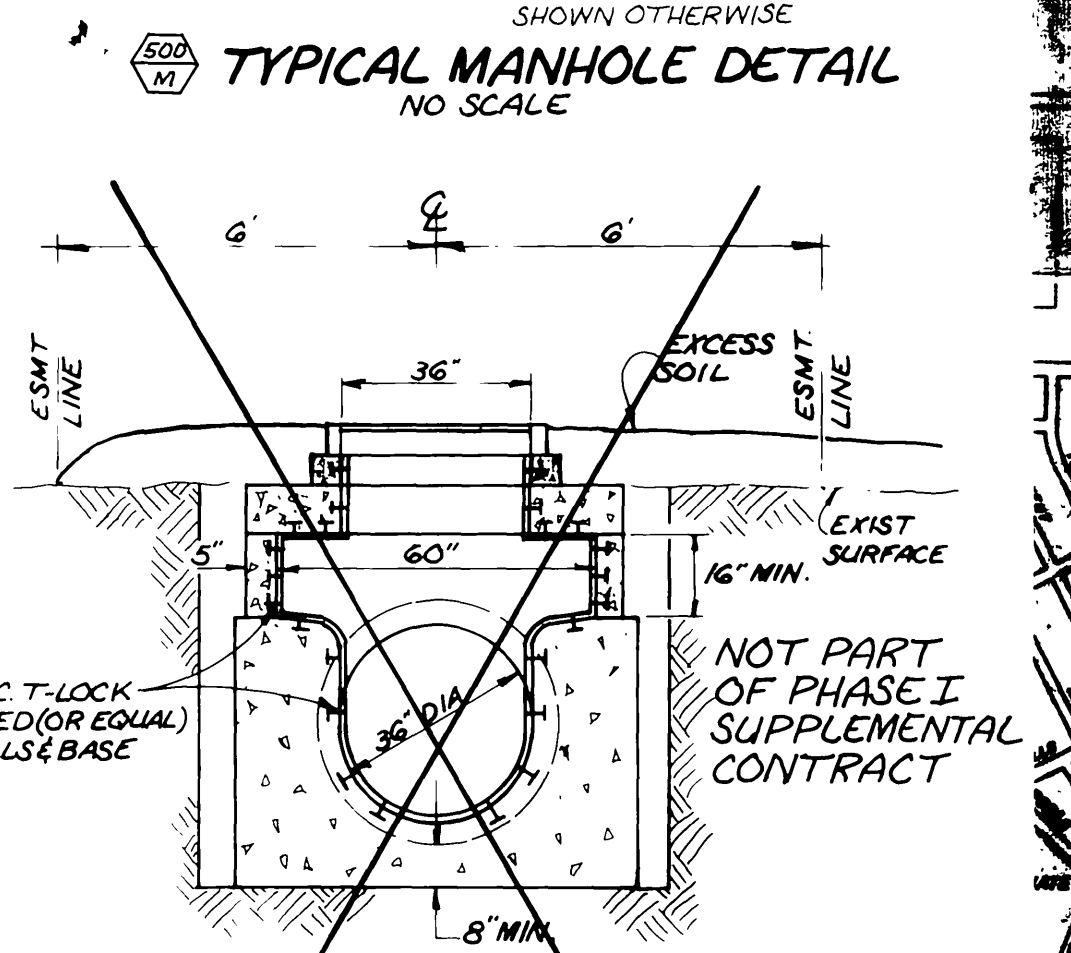
EXISTING TOPOGRAPHY



SPECIFIC CONSTRUCTION NOTES

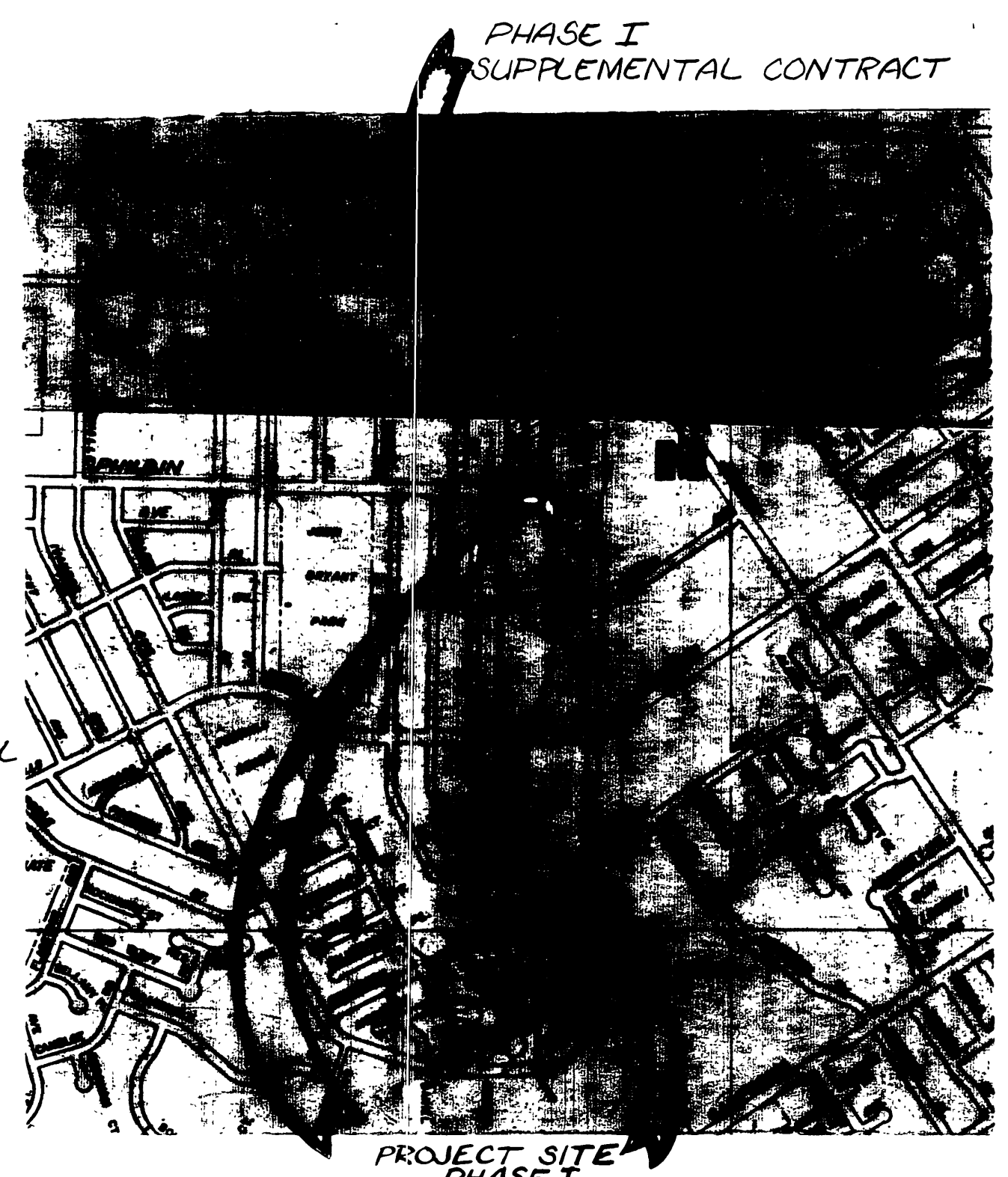
NUMBERS ABOVE 100 IN A HEXAGON ON THE PLAN REFER TO THE RESPECTIVE STANDARD DRAWING AND SHALL BE CONSTRUCTED ACCORDINGLY, UNLESS MODIFICATIONS ARE NOTED ON THE PLAN OR COVER SHEET BELOW. ANY NUMBER SHOWN BELOW THE STANDARD DRAWING NUMBER INDICATES THE SPECIFIC ALTERNATE TO BE CONSTRUCTED.

CONSTRUCT 500MM MANHOLE PER C/R STD. DWG. NO. 500 (MODIFIED) WITH CONCENTRIC FLANGE TOP AND 36" DIA. GRADE RINGS (6" HIGH) - SEE NOTE 3 BELOW. FRAME AND COVER TO BE ALHAMBRA FOUNDRY NO. R-125 (36") OR APPROVED EQUAL. ALL MANHOLES TO HAVE PVC LINED WALLS & BASE.

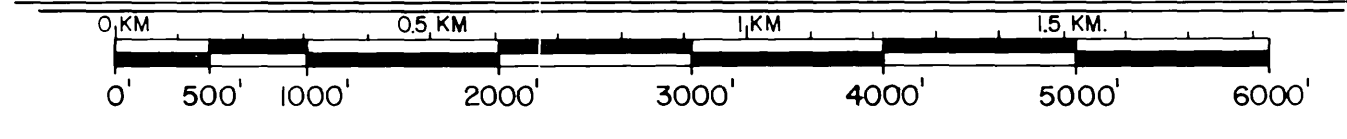


GENERAL CONSTRUCTION NOTES

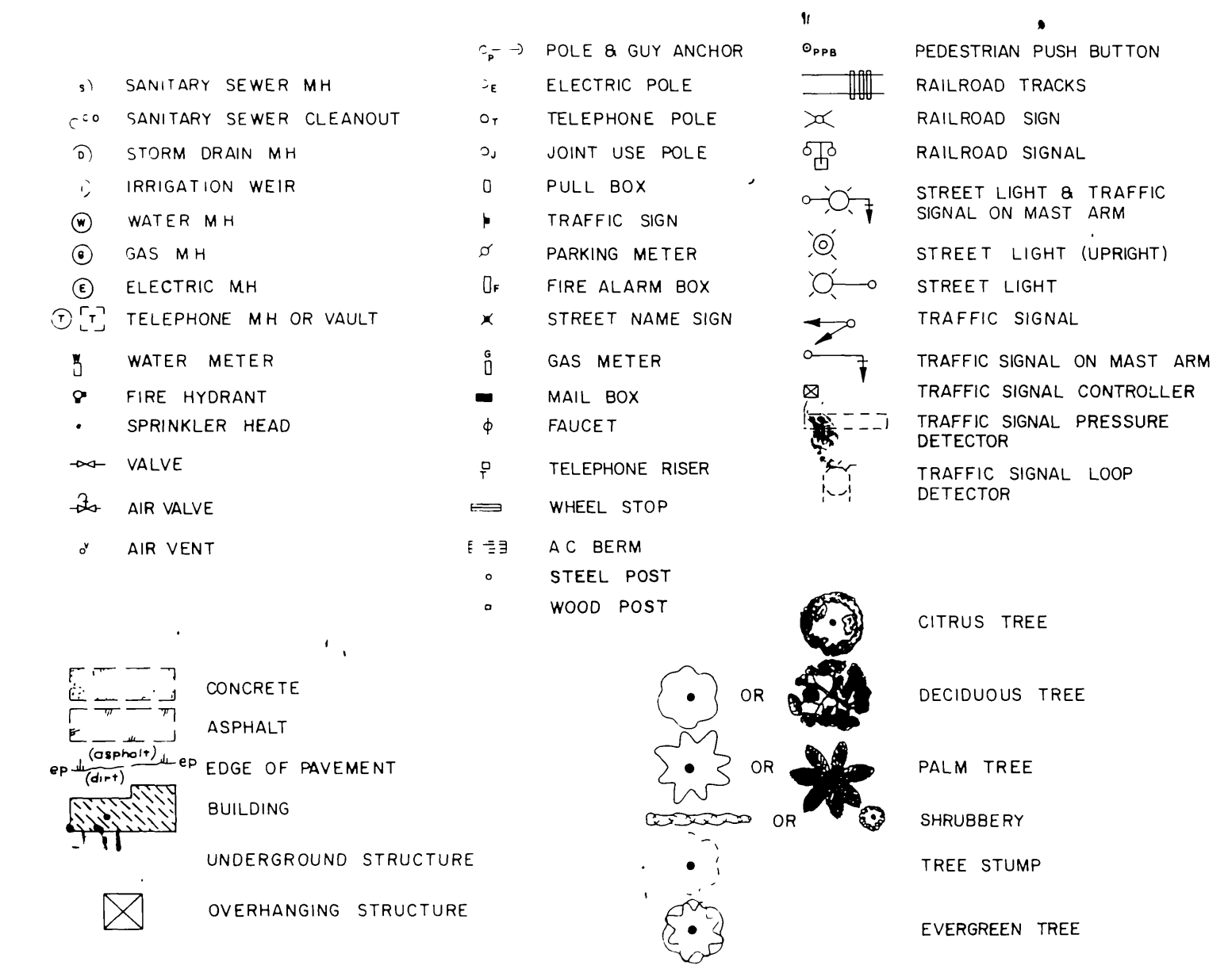
- PIPE SHALL BE 36" VCP, CASE II BEDDING (ALTERNATE I) OR 36" LINED-REP. CASE I BEDDING (ALTERNATE II) INSTALLED PER C/R STD. 452, EXCEPT AS NOTED BELOW.
- FOR ALTERNATE II, CASE II BEDDING SHALL BE USED IN LIEU OF CASE I BEDDING AT THE DIRECTION OF THE ENGINEER WHERE ROCK OR UNSTABLE MATERIAL IS ENCOUNTERED IN THE EXCAVATION.
- ALL MANHOLE SHAFTS SHALL BE PRECAST CONCRETE (NOT BRICK) AS MANUFACTURED BY INLAND CONCRETE ENTERPRISES (714-682-2833) OR APPROVED EQUAL.
- PHASE I CONSTRUCTION CONSISTS OF INSTALLING THE TRUNK SEWER BETWEEN STATIONS 43+65 & 53+39 AND PROVIDING A TEMPORARY BY-PASS CONNECTION INTO THE EXISTING 8-INCH SEWER AT KEY WEST DR. THIS PHASE IS INTENDED TO PRECEDE A PENDING DEVELOPMENT WITHIN THE BARREL FRONTING VAN BUREN BLVD. AND AT THE IMMEDIATE END OF KEY WEST DR.
- EXISTING UTILITIES SHOWN ON PLANS ARE PLOTTED FROM UTILITY RECORDS. THE CONTRACTOR IS REQUIRED TO TAKE DUE PRECAUTIONARY MEASURES TO LOCATE & PROTECT ALL UTILITIES WHETHER OR NOT SHOWN ON THIS PLAN. IF THE COVER OF A UTILITY IS KNOWN IT IS SHOWN IN THE PROFILE. UTILITIES SHOWN IN THE PROFILE AS $\text{---} \times \text{---}$ INDICATES THAT THE COVER IS UNKNOWN, BUT THE UTILITY IS NOT EXPECTED TO CLASH WITH THE PROPOSED IMPROVEMENTS.
- ALL ELEVATIONS SHOWN ON THE PLAN SHALL BE STAKED IN THE FIELD.
- SEWER LATERAL LOCATIONS ARE APPROXIMATE AND SHALL BE LOCATED IN THE FIELD BY CONTRACTOR WITHIN 1 FT. OF PLAN STATION.



PROJECT LOCATION PLAN



SCALE 1" = 1000'



QUANTITIES FOR PHASE I SUPP. CONTRACT:

No.	Item	Quantity	Unit
1	Clearing & Grubbing	--	L.S.
2	60-inch Plastic Lined Manhole Per Std. No. 500 Mod.	3	Ea.
3	72-inch Plastic Lined Manhole Per Std. No. 500 Mod.	1	Ea.
4	8-inch VCP, Case II Bedding	3	L.F.
5	Construct Timber Bulkhead	1	Ea.
6	36-inch VCP, Case II Bedding, including 222 Feet of PCC Encasement	1,145	L.F.

Underground Service Alert

CALL BEFORE YOU DIG

Call: TOLL FREE
1-800-422-4133

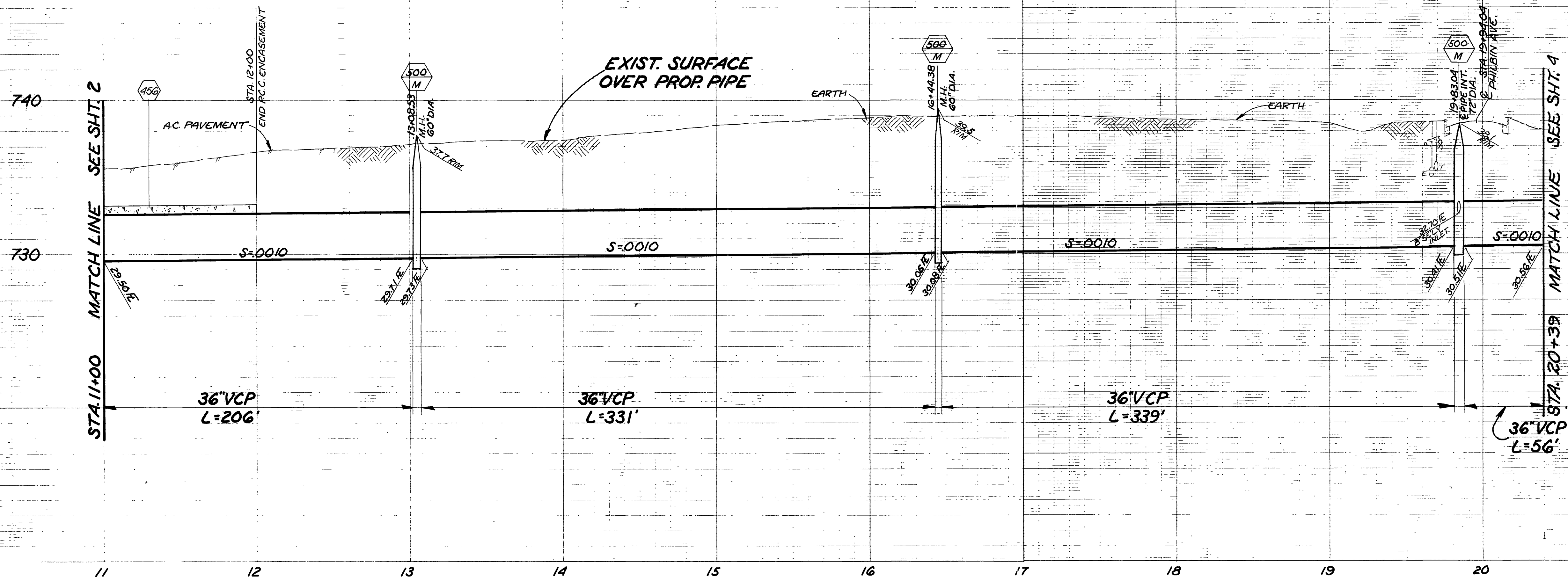
TWO WORKING DAYS BEFORE YOU DIG

CITY OF RIVERSIDE
PUBLIC WORKS DEPARTMENT

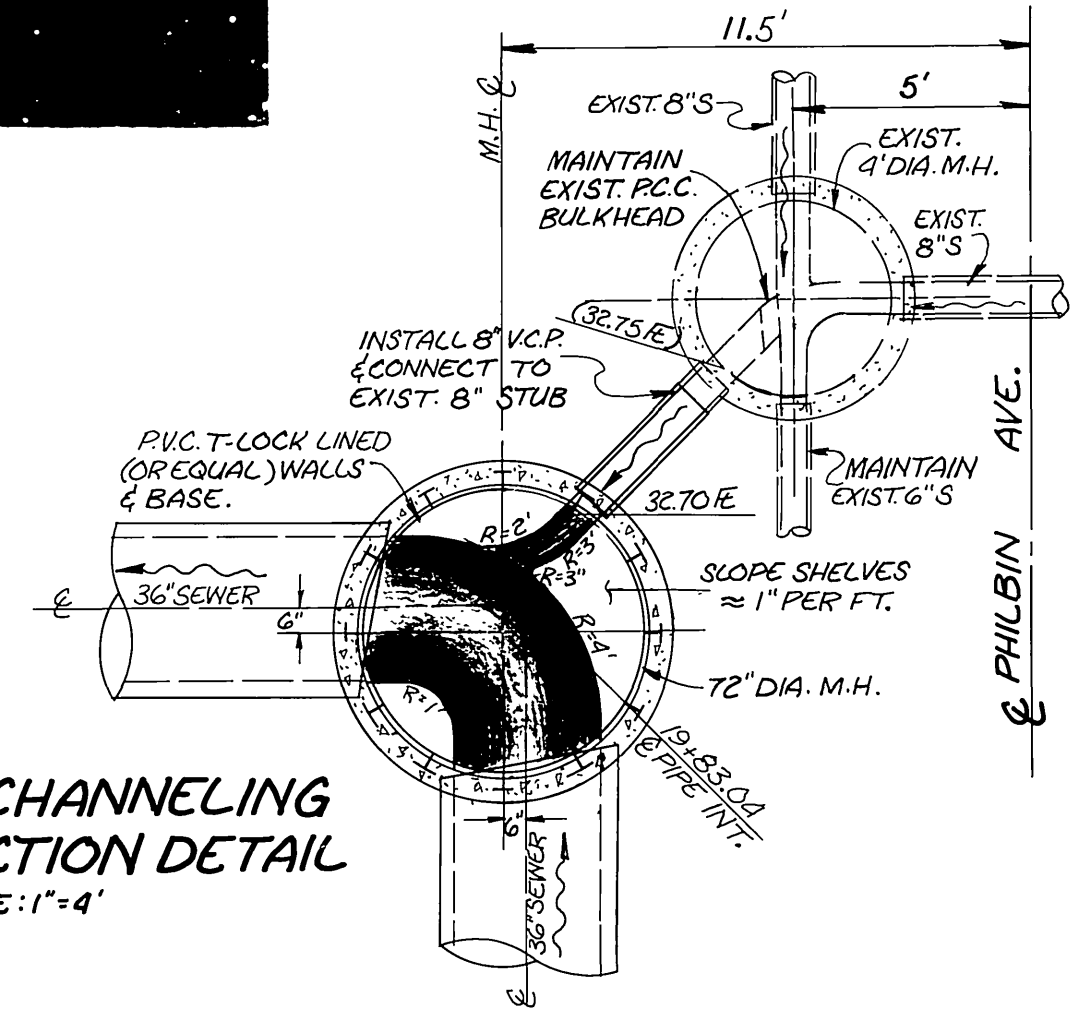
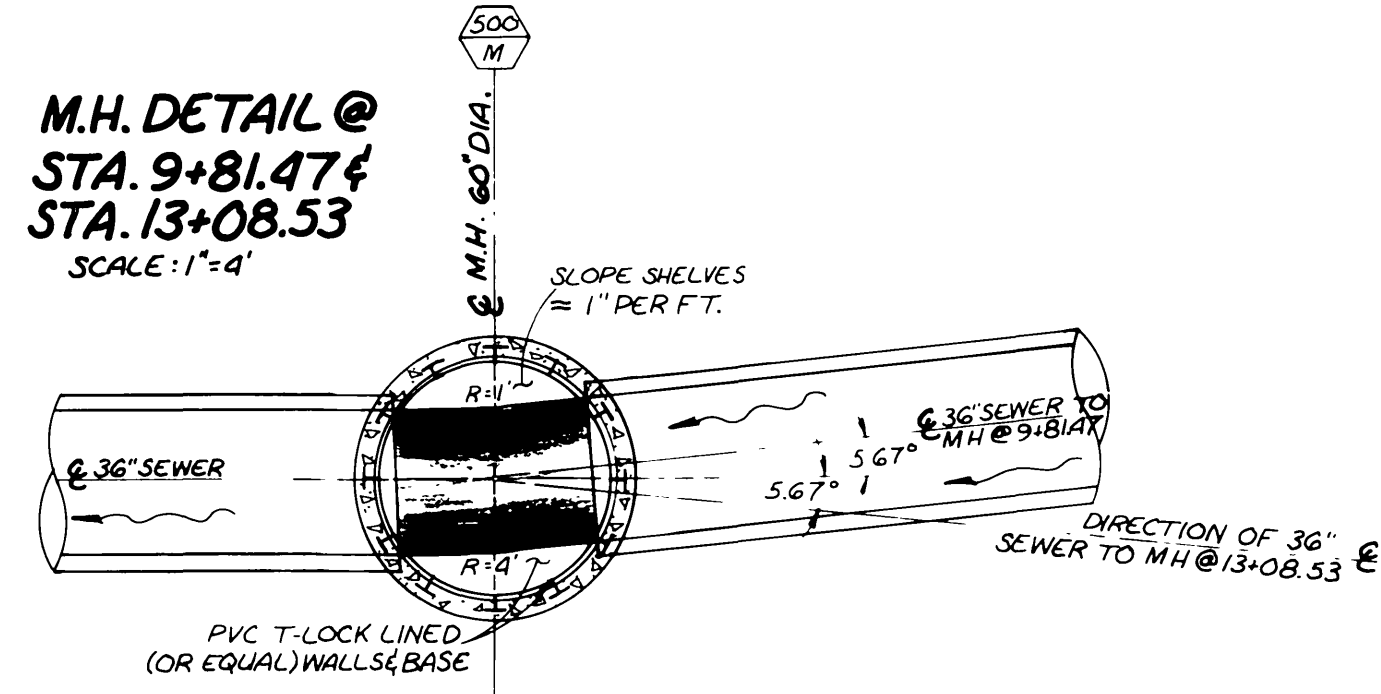
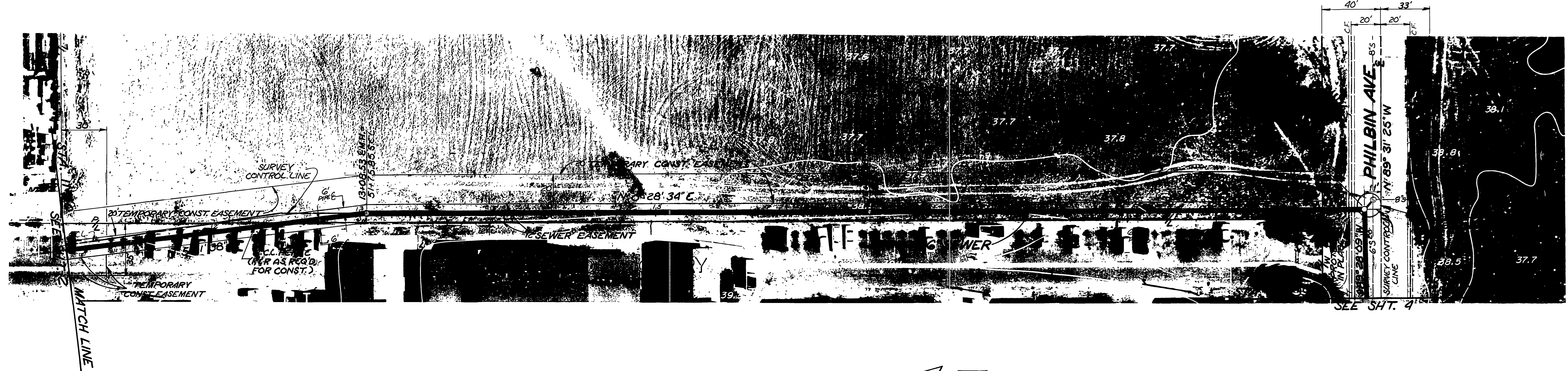
APPROVED BY:	BY:	DATE:	APPROVED BY:
PRINCIPAL ENGINEER	[Signature]	12/20/85	PUBLIC WORKS DIRECTOR
PARK DEPARTMENT			
TRAFFIC DIVISION			
CHIEF R.W. INSPECTOR	[Signature]		
SURVEYOR	[Signature]		

**MEGGINSON TRUNK
SEWER EXTENSION
VAN BUREN BLVD. TO CHALLENGE AVE.
PHASE I SUPPLEMENTAL CONTRACT**

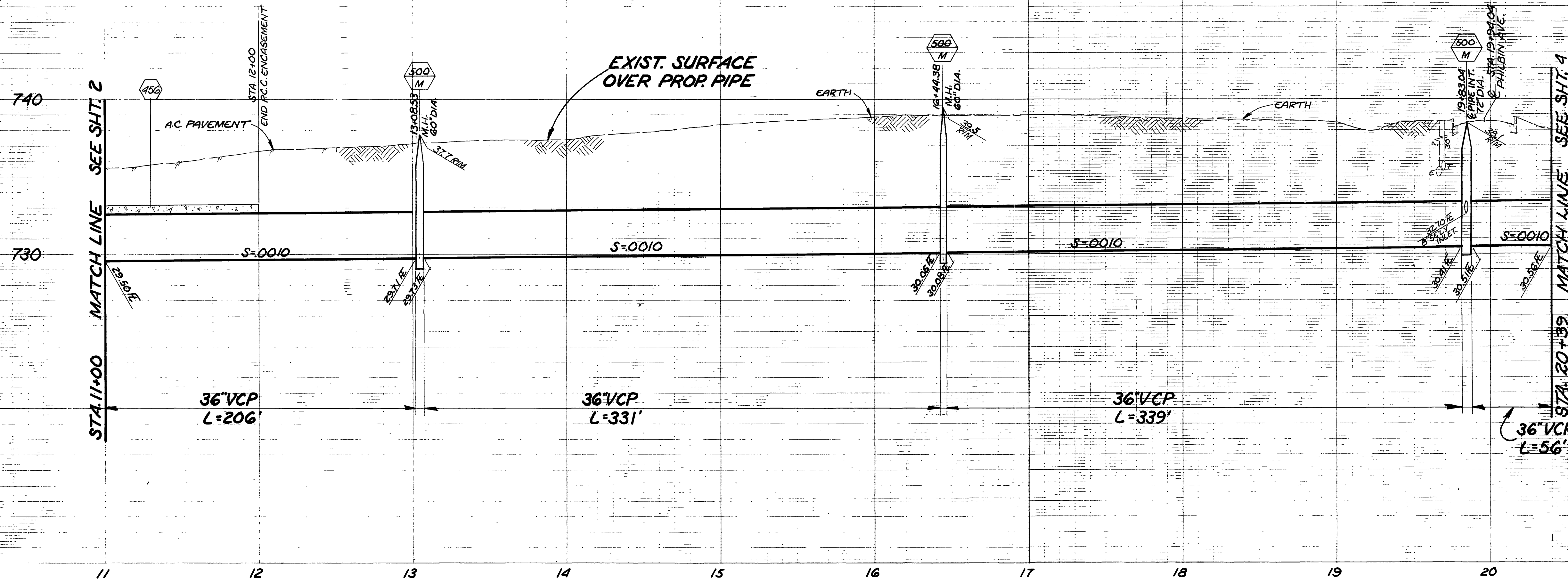
ACCOUNT No. 32-577-569
DRAWING NUMBER
S-1329
SHEET **1** OF **4**



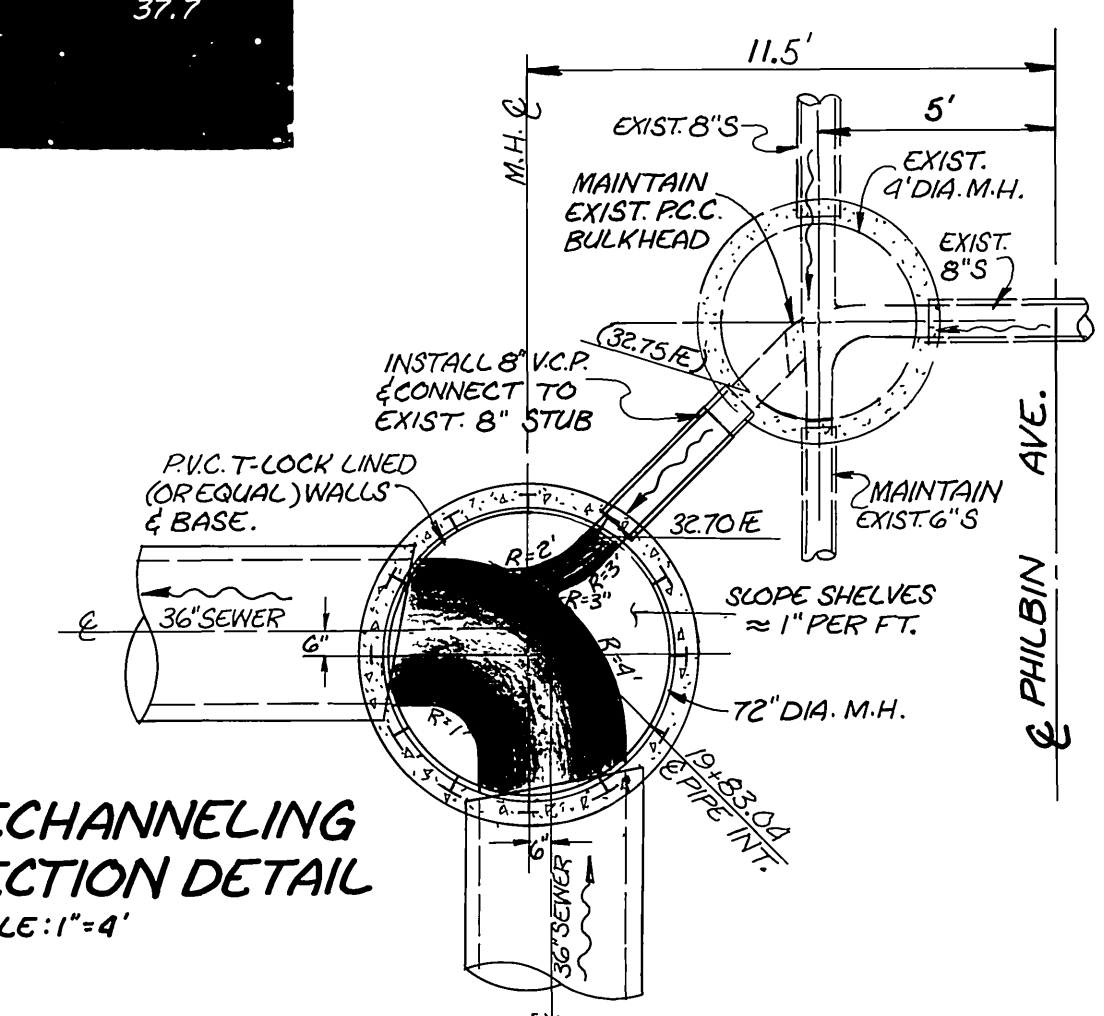
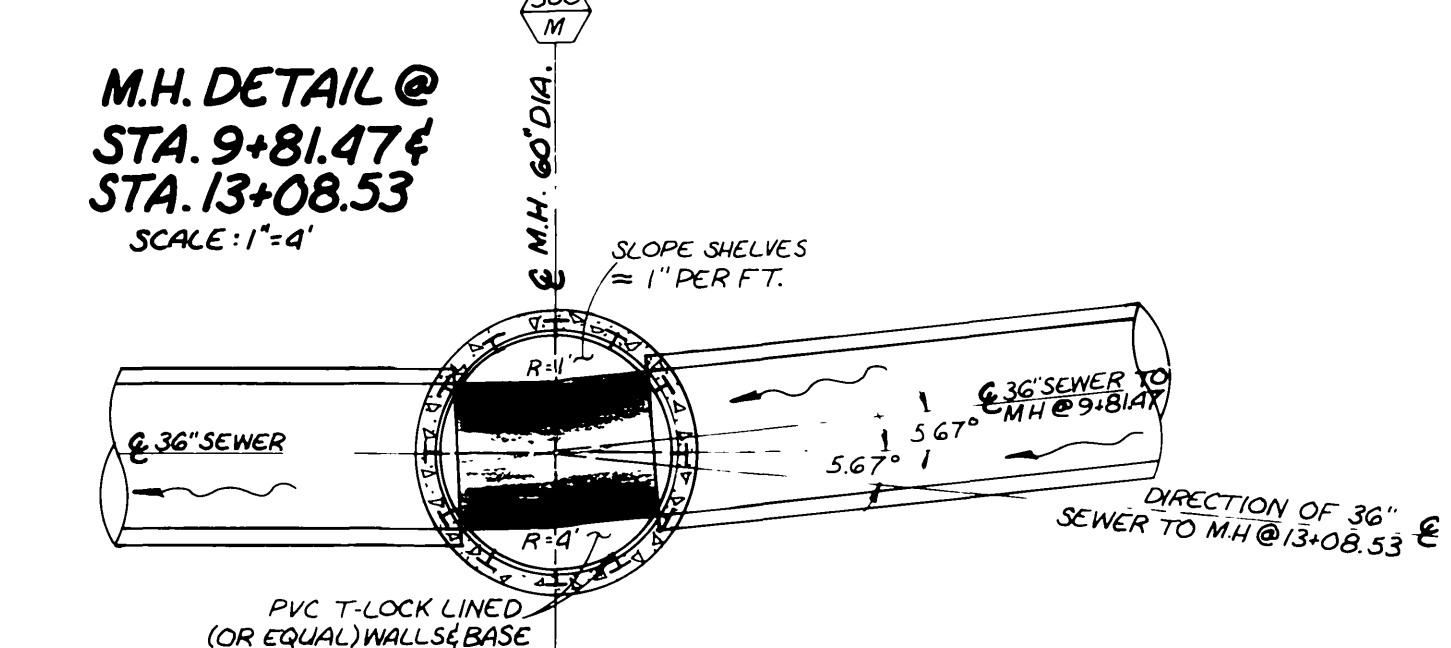
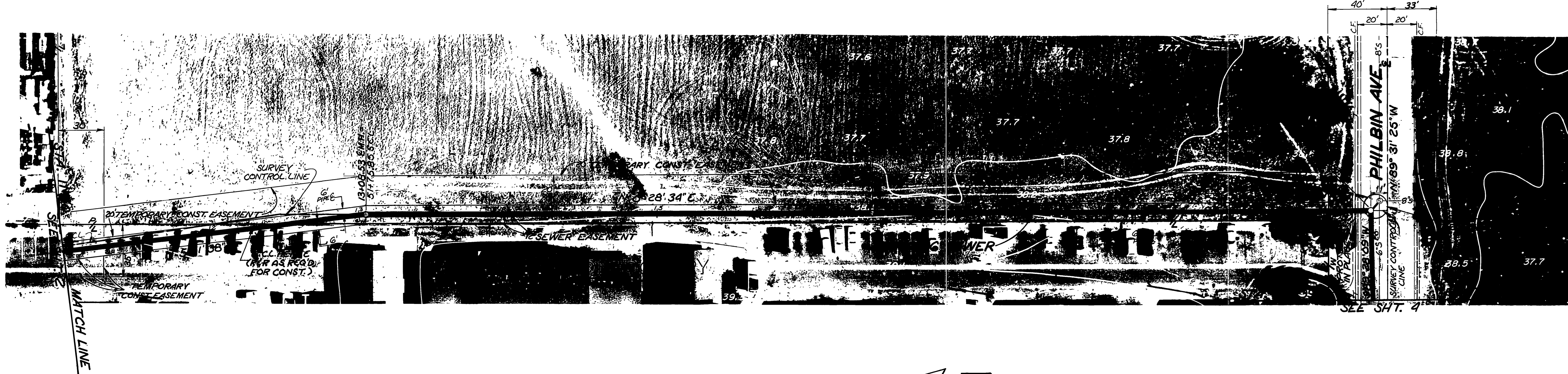
TBM SET PK. NAIL IN LEAD ON ELY CB. OF CHALLENGEN AVE. 128' SLY. OF VAN BUREN BLVD. BASIS OF BEARING - CHALLENGEN AVE. BEING N 55° 16' 40\"/>



CITY OF RIVERSIDE PUBLIC WORKS DEPARTMENT		MEGGINSON TRUNK SEWER EXTENSION VAN BUREN BLVD. TO CHALLENGEN AVE. PHASE I SUPPLEMENTAL CONTRACT		ACCOUNT NO. 32-577-569 S-1329 SHEET 3 OF 4 FILE NO.
APPROVED BY PRINCIPAL ENGINEER PARK DEPARTMENT TRAFFIC DIVISION CHIEF P. W. INSPECTOR SUPERVISOR	DATE 12/20/85	APPROVED BY PUBLIC WORKS DIRECTOR	DATE 12/20/85	HORIZ. SCALE: 1" = 40' VERT. SCALE: 1" = 4'

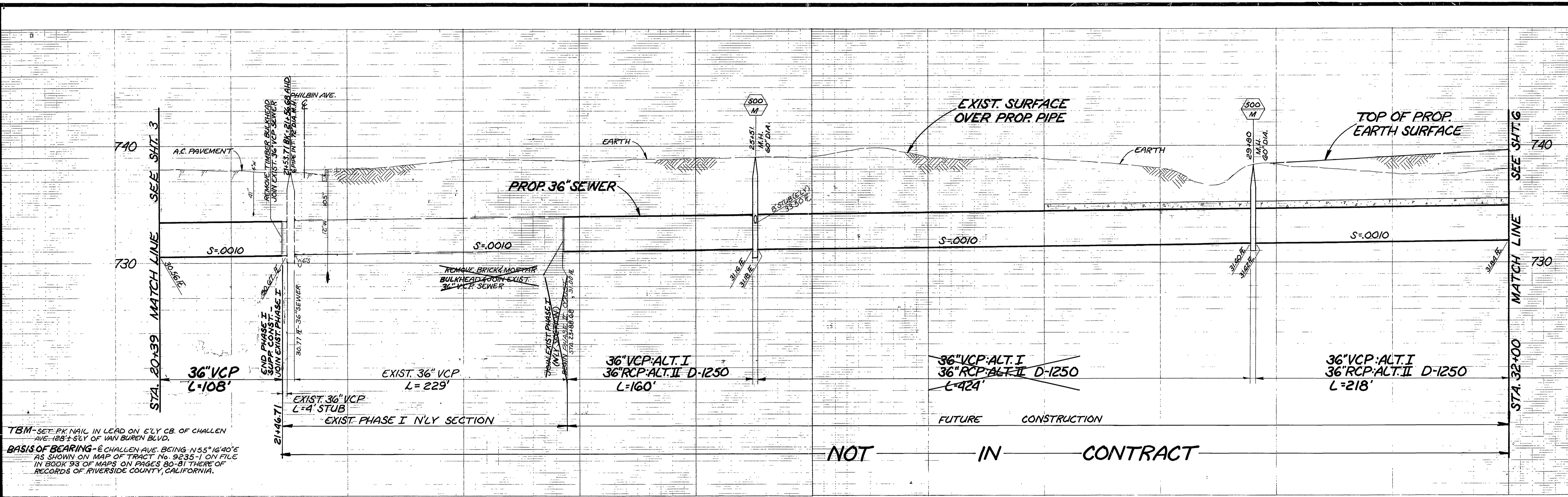


TBM SET PK NAIL IN LEAD ON ELY CB. OF CHALLENGE AVE. 128' SLY OF VAN BUREN BLVD. BASIS OF BEARING - CHALLENGE AVE. BEING N 55° 16' 40" E AS SHOWN ON MAP OF TRACT No. 9235-1 ON FILE IN BOOK 93 OF MAPS ON PAGES 82-81 THEREOF RECORDS OF RIVERSIDE COUNTY, CALIFORNIA.

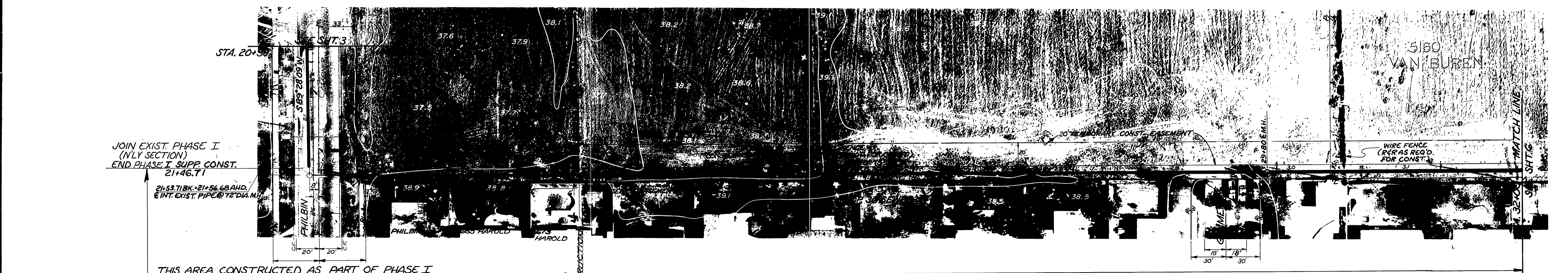


* AS BUILT 6-27-86 RVZ

CITY OF RIVERSIDE PUBLIC WORKS DEPARTMENT		MEGGINSON TRUNK SEWER EXTENSION VAN BUREN BLVD. TO CHALLENGE AVE. PHASE I SUPPLEMENTAL CONTRACT		INDEXED D.A. ACCOUNT NO. 32-577-569 S-1329 SHEET 3 OF 4 FILE NO.
APPROVED BY PRINCIPAL ENGINEER PARK DEPARTMENT TRAFFIC DIVISION CHIEF P. W. INSPECTOR SURVEYOR	APPROVED BY PUBLIC WORKS DIRECTOR	DESIGNED BY: JRH DRAWN BY: RVZ CHECKED BY: RRM	DATE: 12-20-85	HORIZ. SCALE: 1" = 40' VERT. SCALE: 1" = 4'

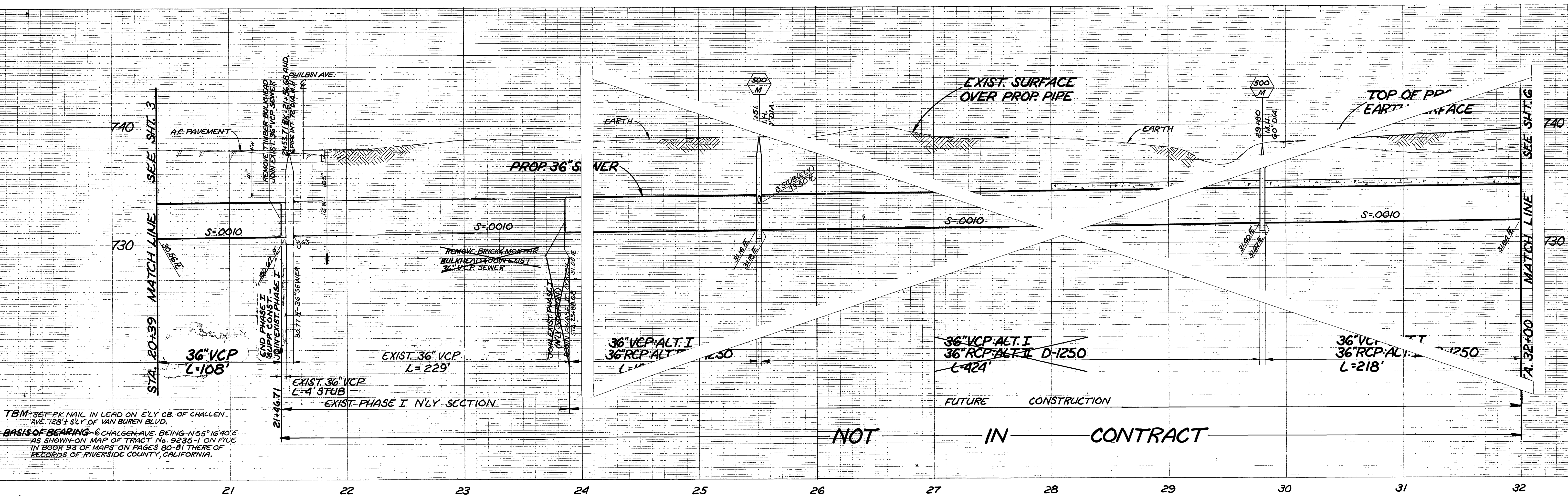


TBM - SET PK NAIL IN LEAD ON ELY CB. OF CHALLENGER AVE - 123' ± SLY OF VAN BUREN BLVD.
BASIS OF BEARING - E CHALLENGER AVE BEING N 55° 16' 40" E AS SHOWN ON MAP OF TRACT No. 9235-1 ON FILE IN BOOK 93 OF MAPS ON PAGES 80-81 THERE OF RECORDS OF RIVERSIDE COUNTY, CALIFORNIA.



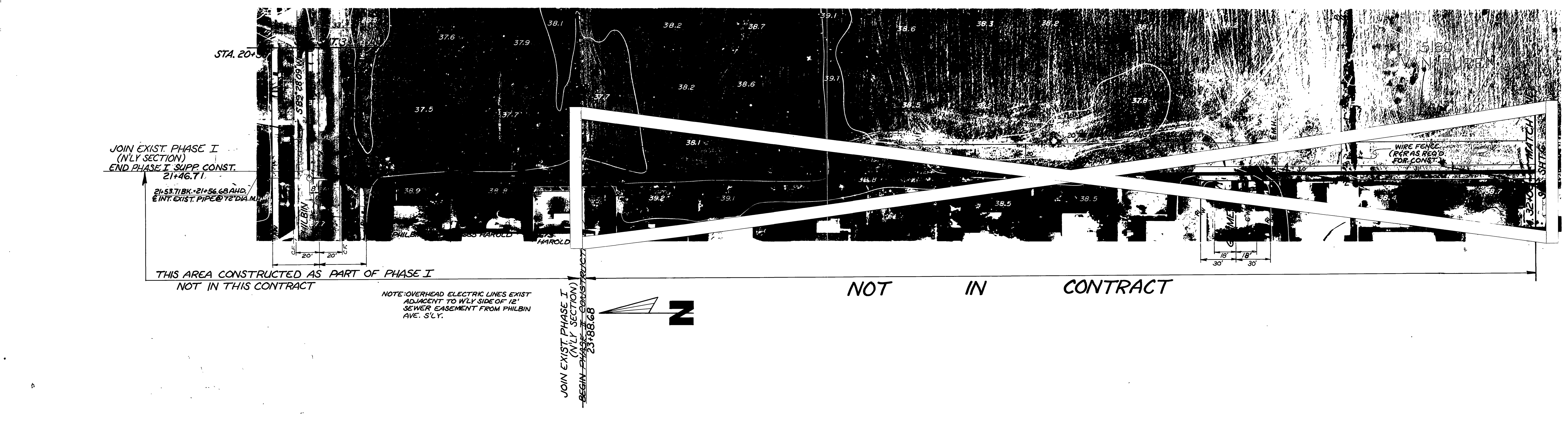
MARK	DESIGNED BY	REVISIONS	APPR	DATE	APPROVED BY	DATE
	J.H.				William D. Gardner	12.20.85

CITY OF RIVERSIDE PUBLIC WORKS DEPARTMENT		MEGGINSON TRUNK SEWER EXTENSION VAN BUREN BLVD. TO CHALLENGER AVE. PHASE I SUPPLEMENTAL CONTRACT		INDEXED D.A. ACCOUNT NO. 32-577-569 S-1329 SHEET 4 OF 4 FILE NO.
APPROVED BY PRINCIPAL ENGINEER PARK DEPARTMENT TRAFFIC DIVISION CHIEF P.W. INSPECTOR SURVEYOR	APPROVED BY PUBLIC WORKS DIRECTOR	DATE 12.20.85	HORIZ. SCALE: 1" = 40' VERT. SCALE: 1" = 4'	* AS BUILT R.V.Z. 6-27-86



TBM - SET PK NAIL IN LEAD ON E'LY CB. OF CHALLENGE AVE. 188' ± S'LY OF VAN BUREN BLVD.
 BASIS OF BEARING - @ CHALLENGE AVE. BEING N 55° 16' 40" E AS SHOWN ON MAP OF TRACT No. 9235-1 ON FILE IN BOOK 33 OF MAPS ON PAGES 80-81 THERE OF RECORDS OF RIVERSIDE COUNTY, CALIFORNIA.

NOT IN CONTRACT



* AS BUILT RVZ 6-27-86

INDEXED D.A. ACCOUNT NO. 32-577-569

CITY OF RIVERSIDE PUBLIC WORKS DEPARTMENT		MEGGINSON TRUNK SEWER EXTENSION VAN BUREN BLVD. TO CHALLENGE AVE. PHASE I SUPPLEMENTAL CONTRACT		S-1329 SHEET 4 OF 4
APPROVED BY PRINCIPAL ENGINEER PARK DEPARTMENT TRAFFIC DIVISION	APPROVED BY William D. Henderson PUBLIC WORKS DIRECTOR	MARK REVISIONS DESIGNED BY: J.H. DRAWN BY: RVZ CHECKED BY: R.C.M.	DATE: 12-20-85 SURVEYOR: R.C.M.	HORIZ. SCALE: 1" = 40' VERT. SCALE: 1" = 4' FILE NO.: