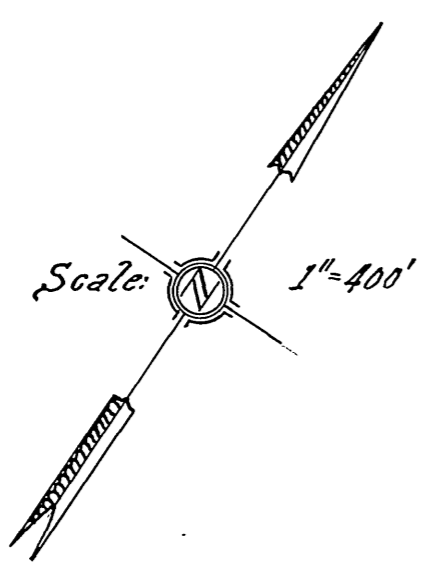




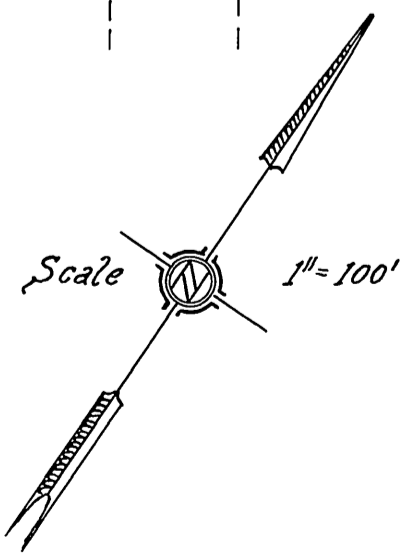
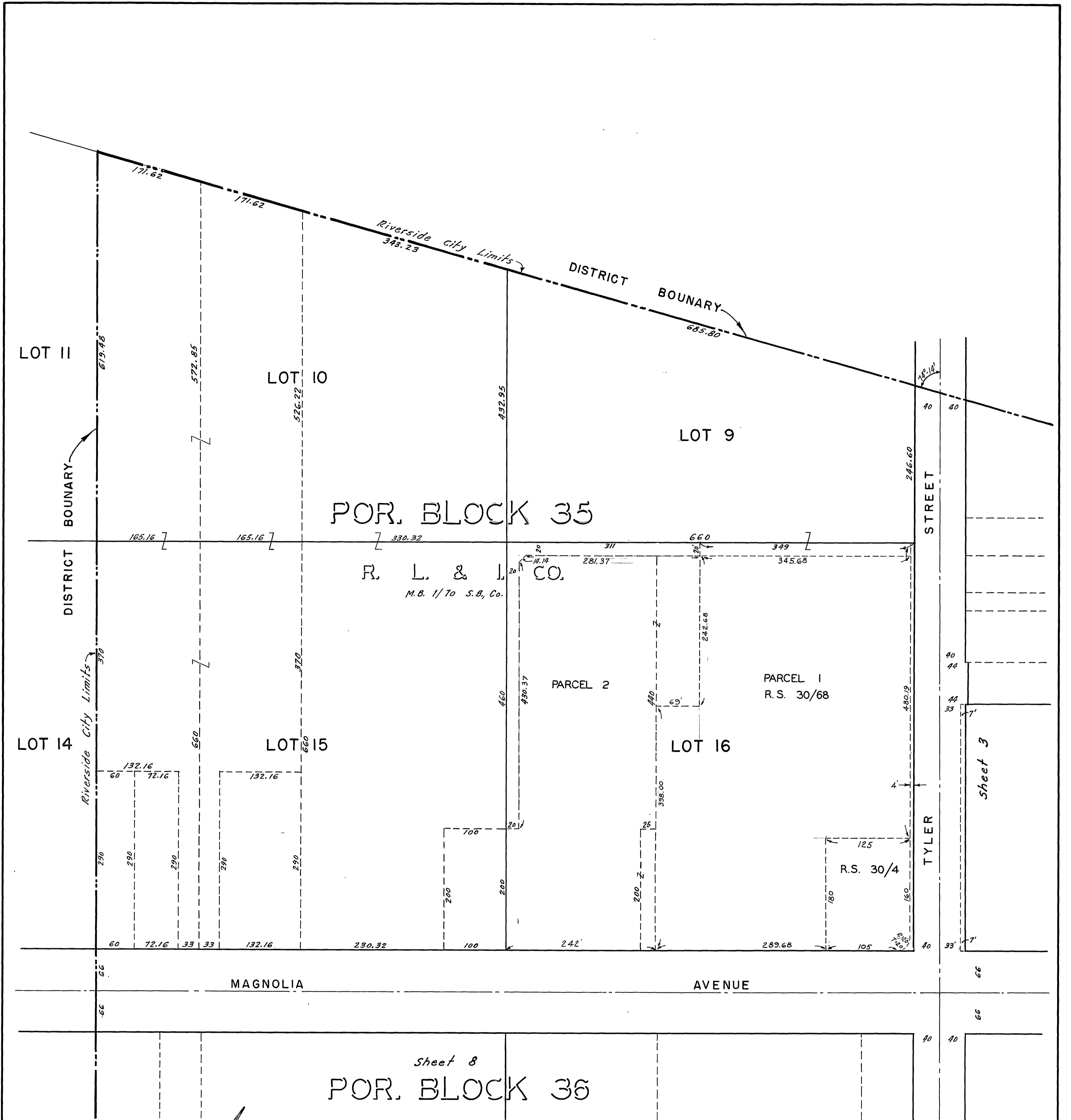
# INDEX MAP



MAP SHOWING THE LANDS INCLUDED WITHIN THE ASSESSMENT DISTRICT TO BE BENEFITED BY THE CONSTRUCTION OF SANITARY SEWER

REVISIONS			CITY OF RIVERSIDE CALIFORNIA DEPARTMENT OF PUBLIC WORKS
MARK	DATE	DESCRIPTION	
			SOUTHWEST PUMPING STATION AND FORCE MAIN SEWER DISTRICT
DESIGNED BY	H.L.M.	CHECKED BY	APPROVED BY
DRAWN BY	H.L.M.	<i>Ernest N. Wall</i> R.E. 9876	<i>J. Martine</i> DIRECTOR OF PUBLIC WORKS
RECOMMENDED BY	<i>Francis K. Kasper</i>	DISTRICT CITY ENGINEER	DATE
			July 30, 1959

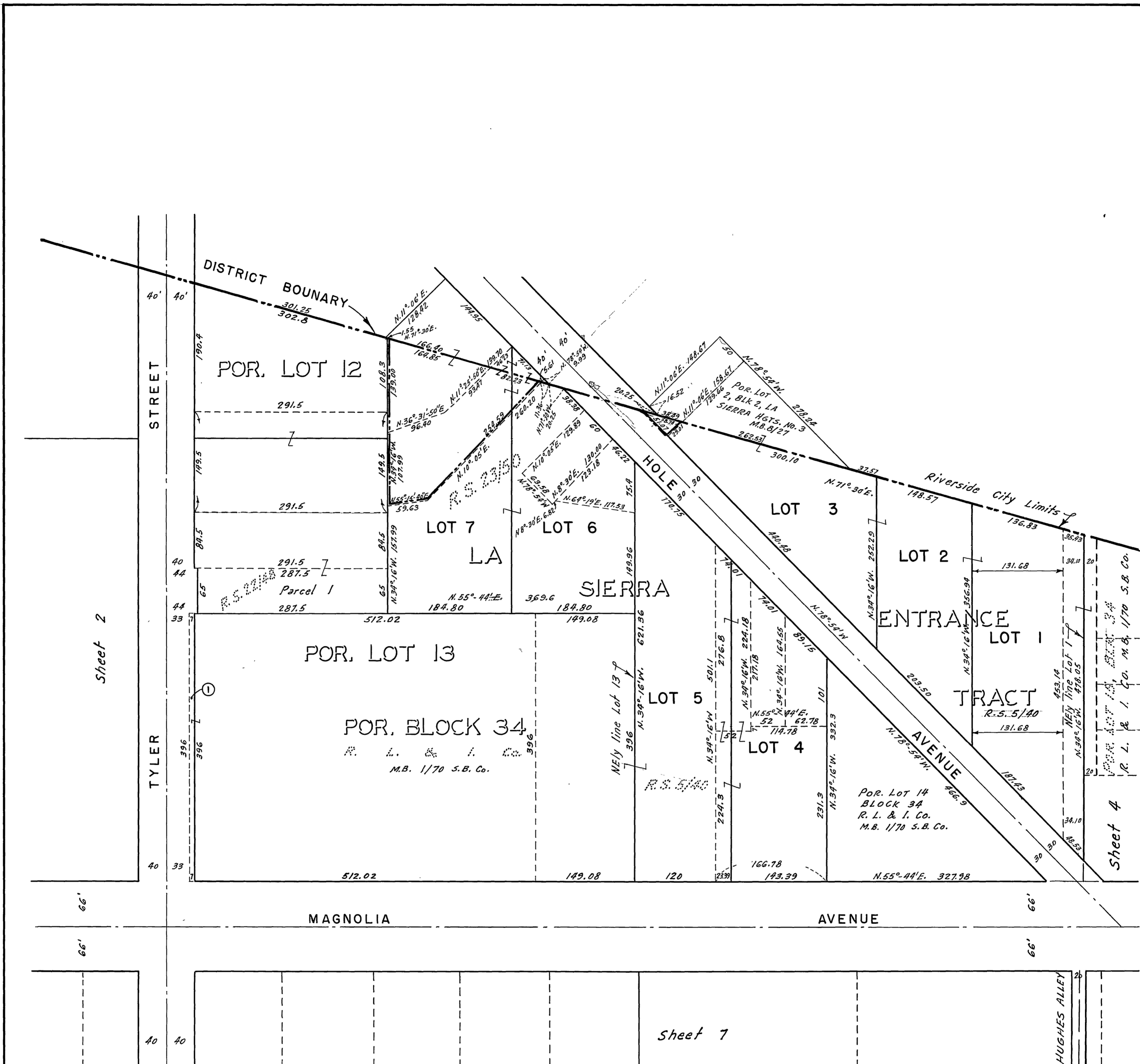
**S-133A**  
SHEET 1 OF 14



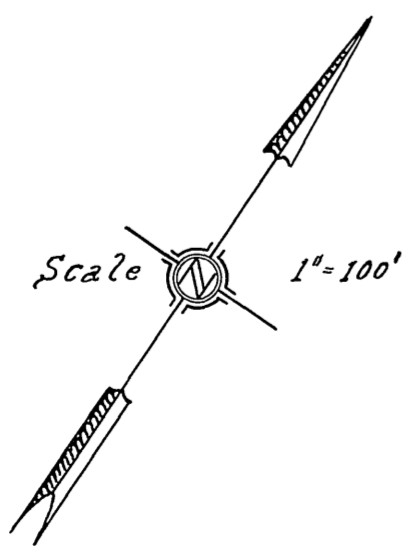
MAP SHOWING THE LANDS INCLUDED WITHIN THE ASSESSMENT DISTRICT TO BE BENEFITED BY THE CONSTRUCTION OF SANITARY SEWER

REVISIONS			CITY OF RIVERSIDE CALIFORNIA DEPARTMENT OF PUBLIC WORKS	
MARK	DATE	DESCRIPTION		
			SOUTHWEST PUMPING STATION AND FORCE MAIN SEWER DISTRICT	
DESIGNED BY	H.L.M.	CHECKED BY	APPROVED BY	
DRAWN BY	H.L.M.	<i>E. West</i>	<i>[Signature]</i>	
RECOMMENDED BY	<i>[Signature]</i>	R.F. 9876	DIRECTOR OF PUBLIC WORKS	
	ASSISTANT CITY ENGINEER		DATE	7-30-59
			S-133A	
			SHEET 2 OF 14	

w26



NOTE:-  
 ① 7' of Tyler Street vacated  
 by Res. No. 6218  
 (Deed File No. 257A)

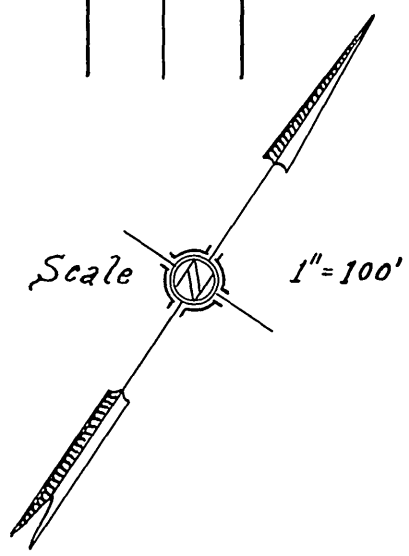
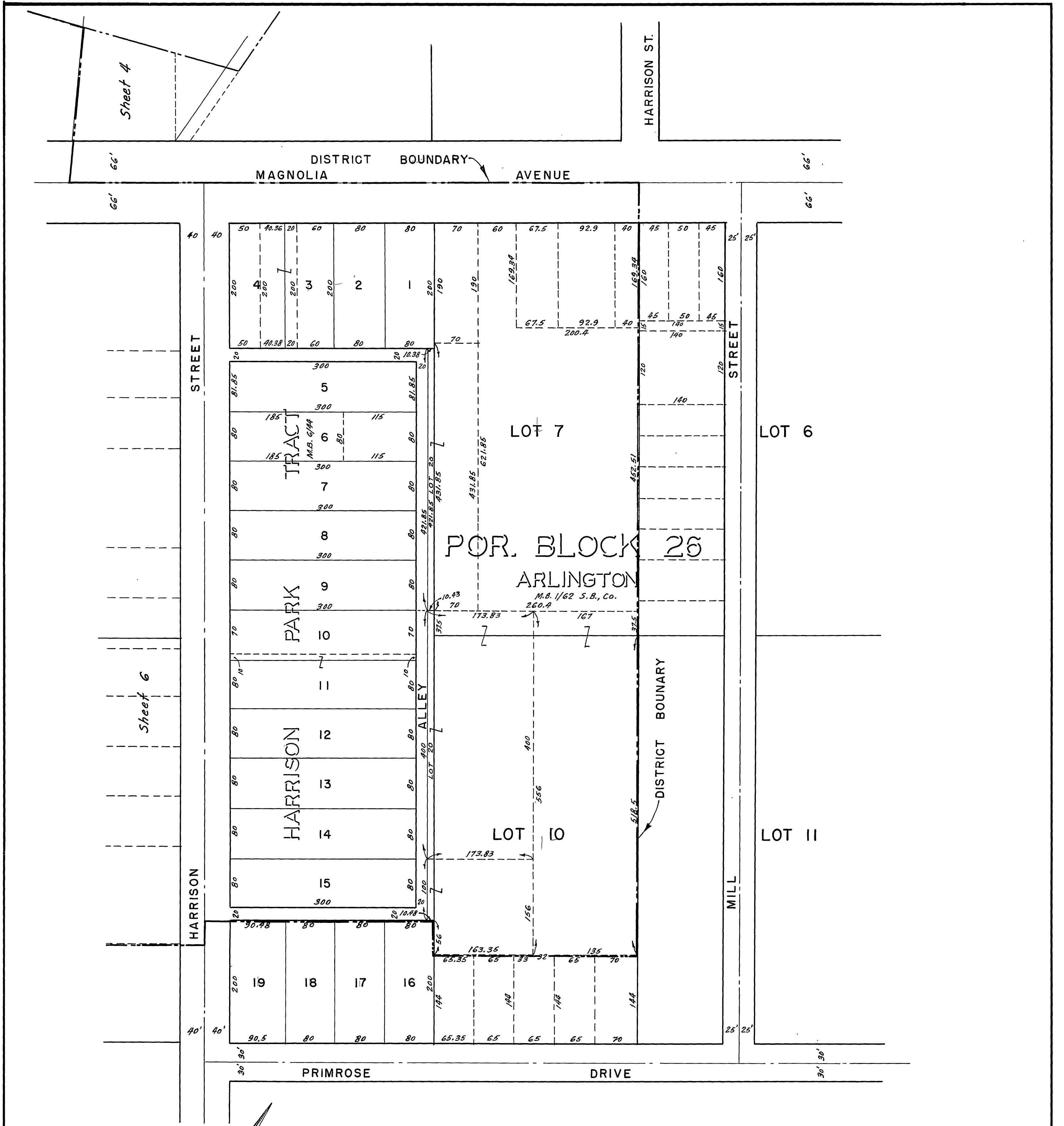


REVISIONS			CITY OF RIVERSIDE CALIFORNIA DEPARTMENT OF PUBLIC WORKS
MARK	DATE	DESCRIPTION	
			SOUTHWEST PUMPING STATION AND FORCE MAIN SEWER DISTRICT
DESIGNED BY H.L.M.		CHECKED BY Ernest N. Wall	APPROVED BY [Signature]
DRAWN BY H.L.M.		R.E. 3876	DIRECTOR OF PUBLIC WORKS
RECOMMENDED BY Francis L. Leifer		ASSISTANT CITY ENGINEER	DATE 7-30-59

MAP SHOWING THE LANDS INCLUDED WITHIN THE  
 ASSESSMENT DISTRICT TO BE BENEFITED BY THE  
 CONSTRUCTION OF SANITARY SEWER

**S-133A**  
 SHEET 3 OF 14



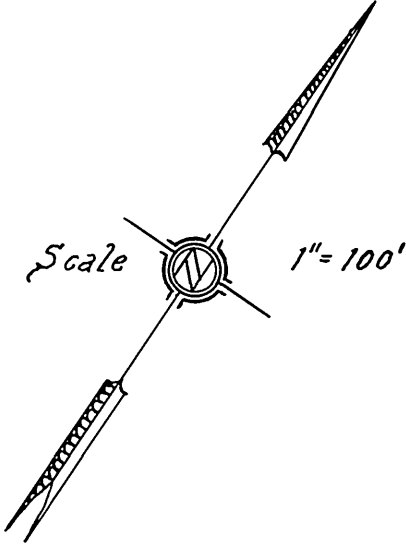
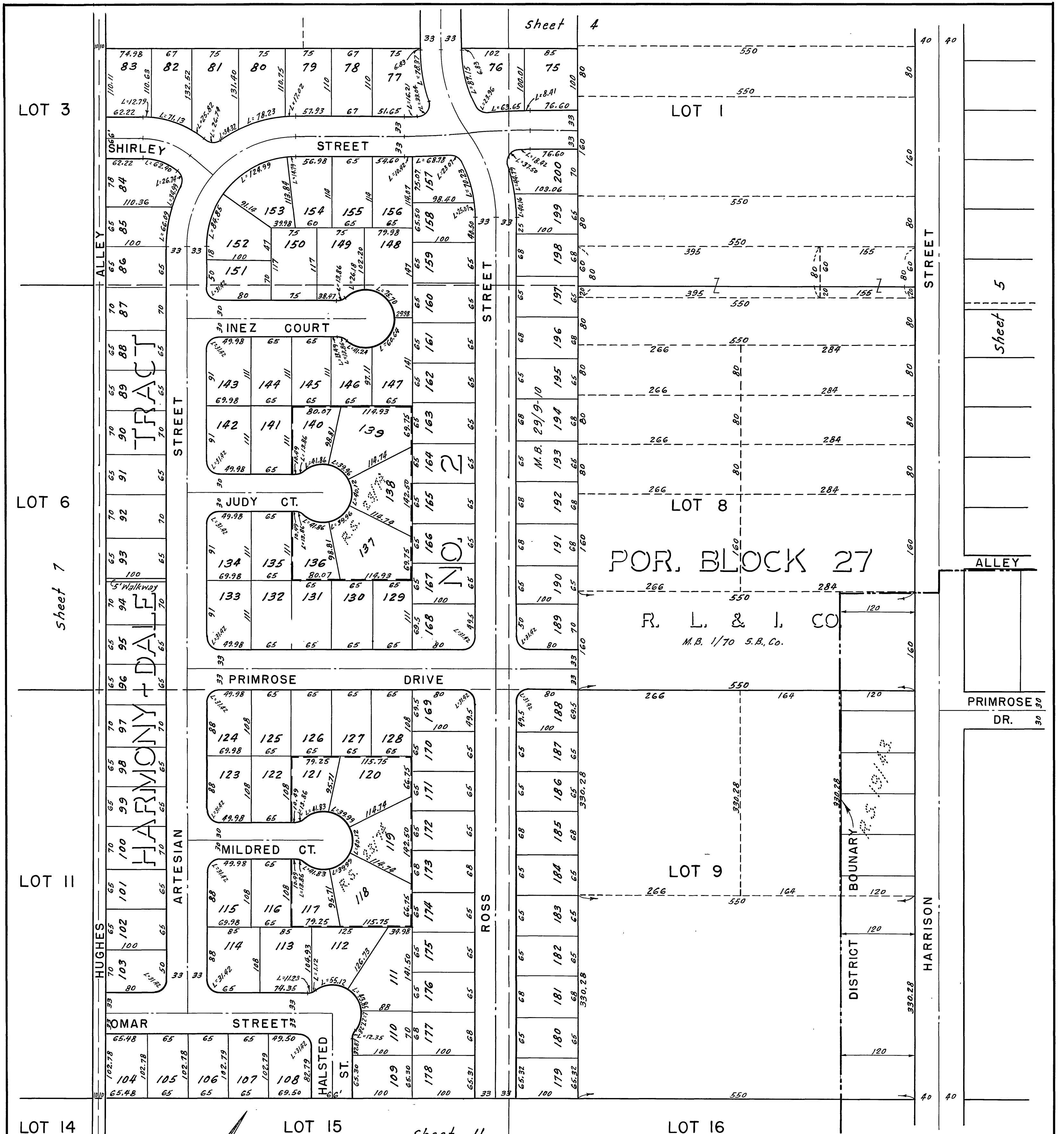


MAP SHOWING THE LANDS INCLUDED WITHIN THE ASSESSMENT DISTRICT TO BE BENEFITED BY THE CONSTRUCTION OF SANITARY SEWER

REVISIONS			CITY OF RIVERSIDE CALIFORNIA DEPARTMENT OF PUBLIC WORKS	
MARK	DATE	DESCRIPTION		
			SOUTHWEST PUMPING STATION AND FORCE MAIN SEWER DISTRICT	
DESIGNED BY H.L.M. DRAWN BY H.L.M.		CHECKED BY <i>E. N. Webb</i> R.E. 9876	APPROVED BY <i>D. Matthews</i> DIRECTOR OF PUBLIC WORKS	S-133A SHEET 5 OF 14
RECOMMENDED BY <i>Thomas J. Tolpelt</i> ASSISTANT CITY ENGINEER		DATE 7-30-59		

Wag





MAP SHOWING THE LANDS INCLUDED WITHIN THE ASSESSMENT DISTRICT TO BE BENEFITED BY THE CONSTRUCTION OF SANITARY SEWER

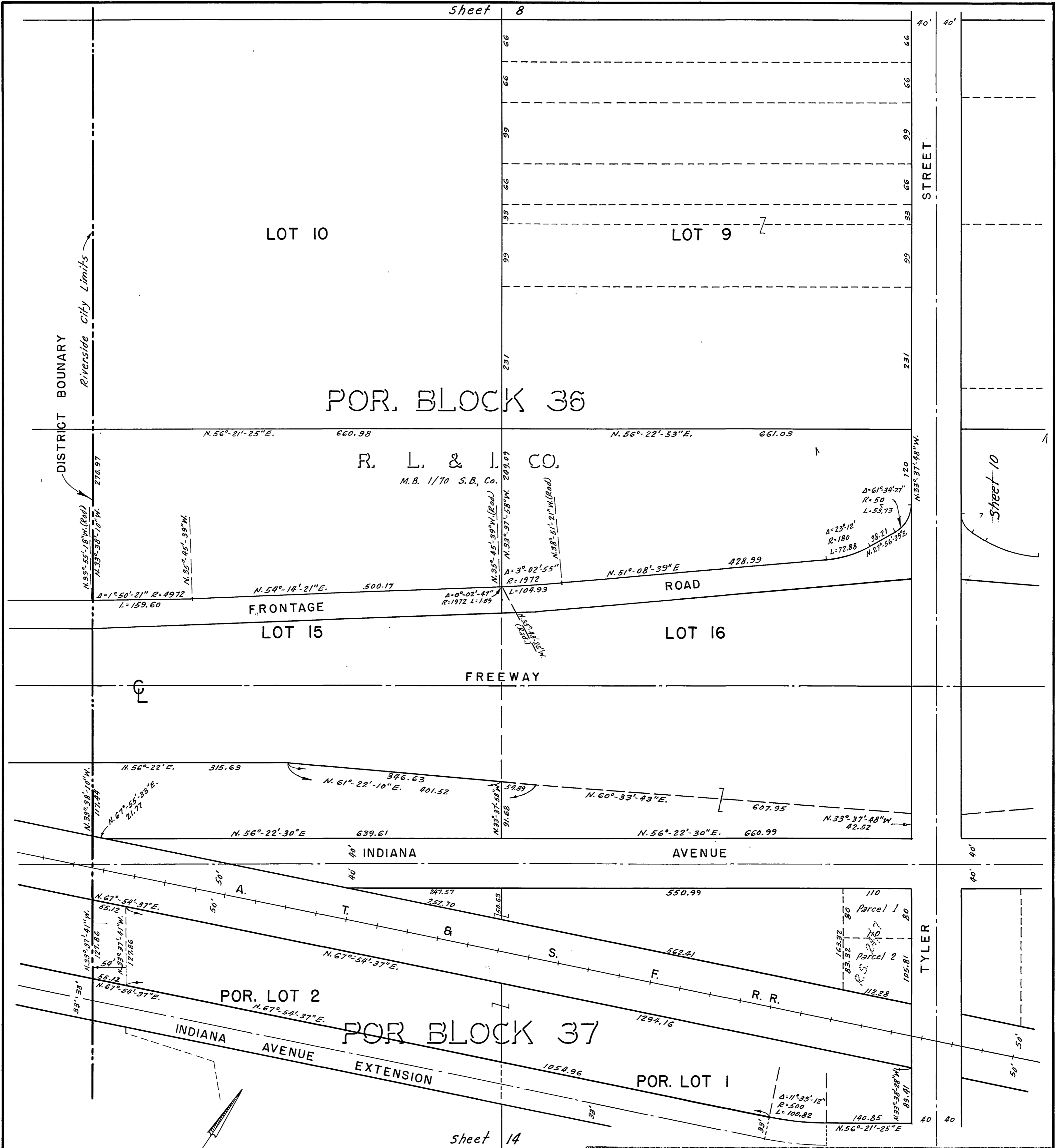
REVISIONS			CITY OF RIVERSIDE CALIFORNIA DEPARTMENT OF PUBLIC WORKS
MARK	DATE	DESCRIPTION	
			SOUTHWEST PUMPING STATION AND FORCE MAIN SEWER DISTRICT
DESIGNED BY	H.L.M.	CHECKED BY	APPROVED BY
DRAWN BY	H.L.M.	<i>Ernest N. Wall</i> R.E. 2876	<i>Montauk</i> DIRECTOR OF PUBLIC WORKS
RECOMMENDED BY	<i>Thomas J. Tolson</i> ASSISTANT CITY ENGINEER	DATE	7-30-59

**S-133A**  
SHEET 6 OF 14

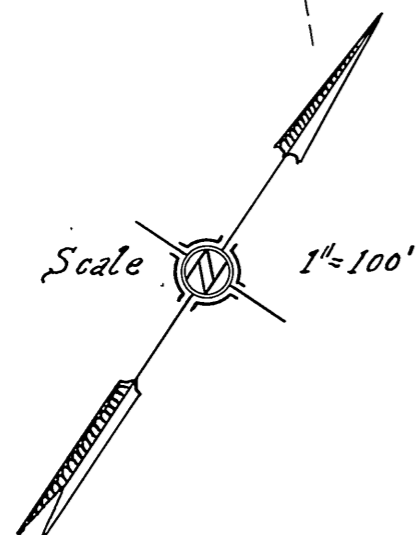








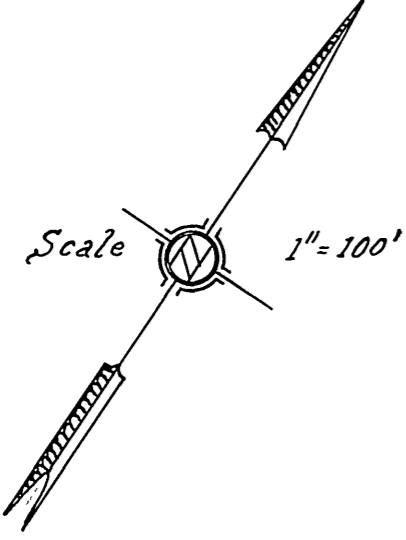
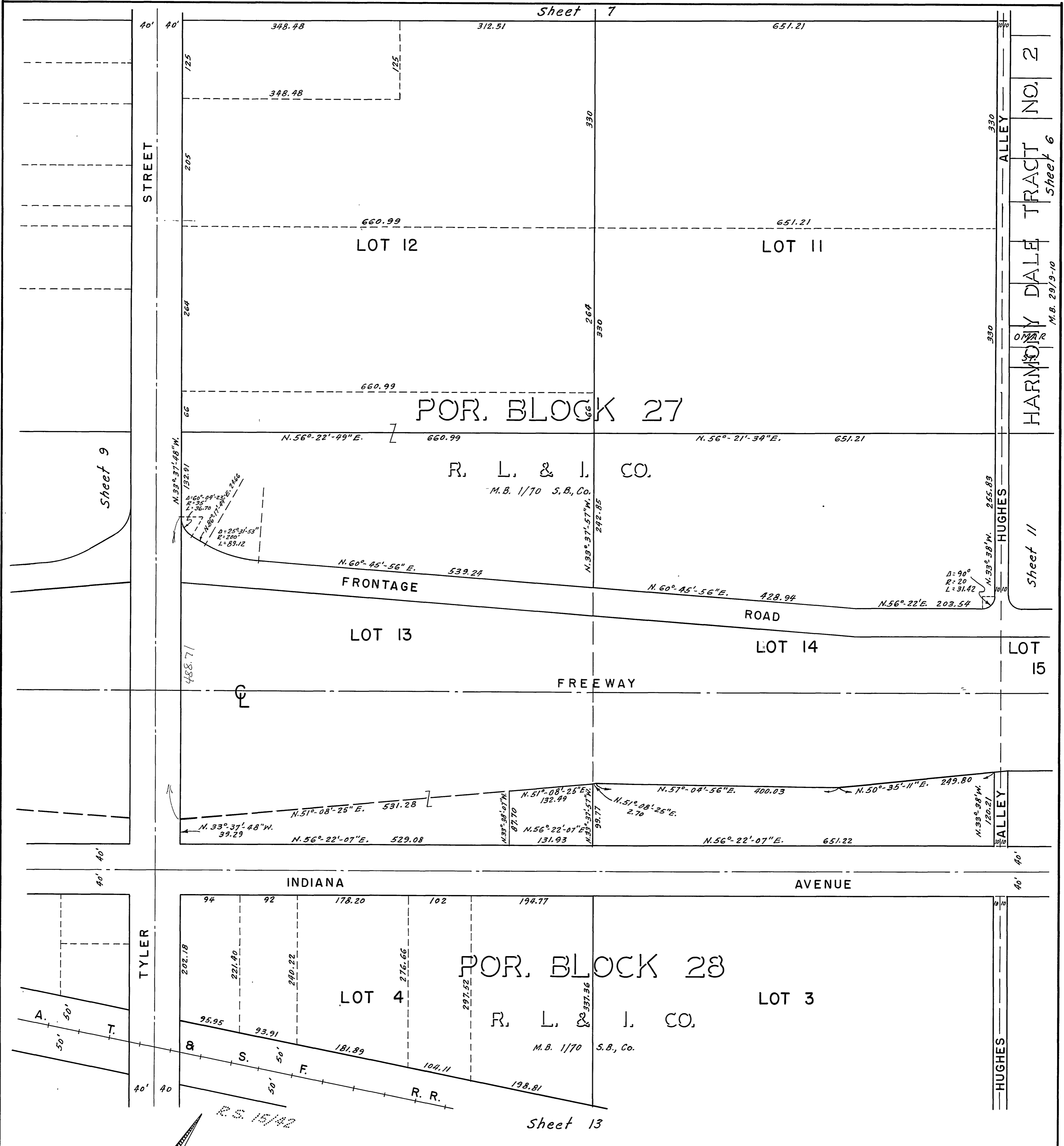
Sheet 10



MAP SHOWING THE LANDS INCLUDED WITHIN THE ASSESSMENT DISTRICT TO BE BENEFITED BY THE CONSTRUCTION OF SANITARY SEWER

REVISIONS			CITY OF RIVERSIDE CALIFORNIA DEPARTMENT OF PUBLIC WORKS
MARK	DATE	DESCRIPTION	
			SOUTHWEST PUMPING STATION AND FORCE MAIN SEWER DISTRICT
DESIGNED BY	H.L.M.	CHECKED BY	APPROVED BY
DRAWN BY	H.L.M.	<i>Ernest N. Wade</i> R.E. 9876	<i>[Signature]</i> DIRECTOR OF PUBLIC WORKS
RECOMMENDED BY	<i>Lewis C. Toft</i>	ASSISTANT CITY ENGINEER	DATE 7-30-59

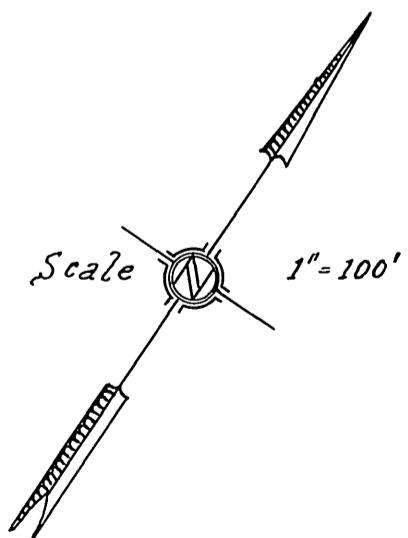
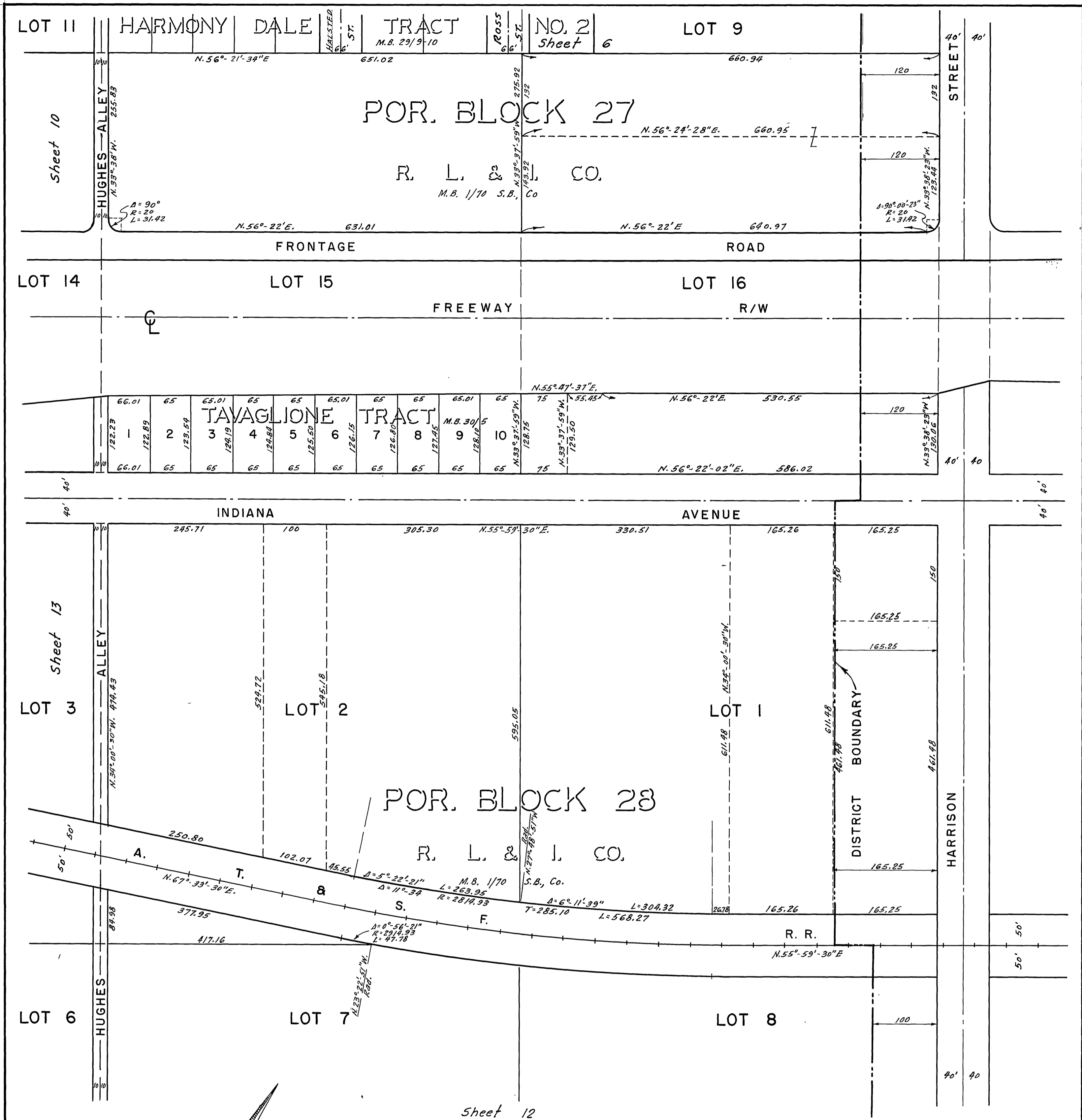
S-133A  
SHEET 9 OF 14



MAP SHOWING THE LANDS INCLUDED WITHIN THE ASSESSMENT DISTRICT TO BE BENEFITED BY THE CONSTRUCTION OF SANITARY SEWER

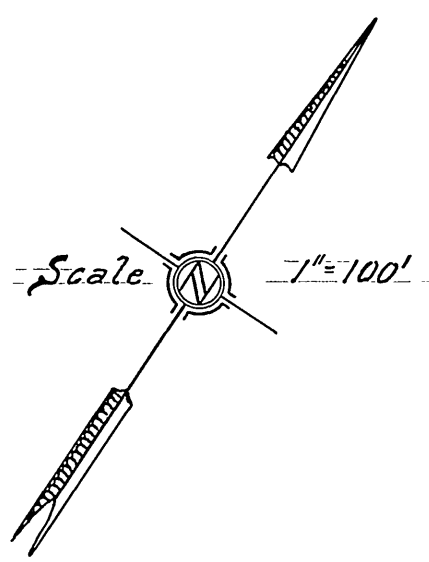
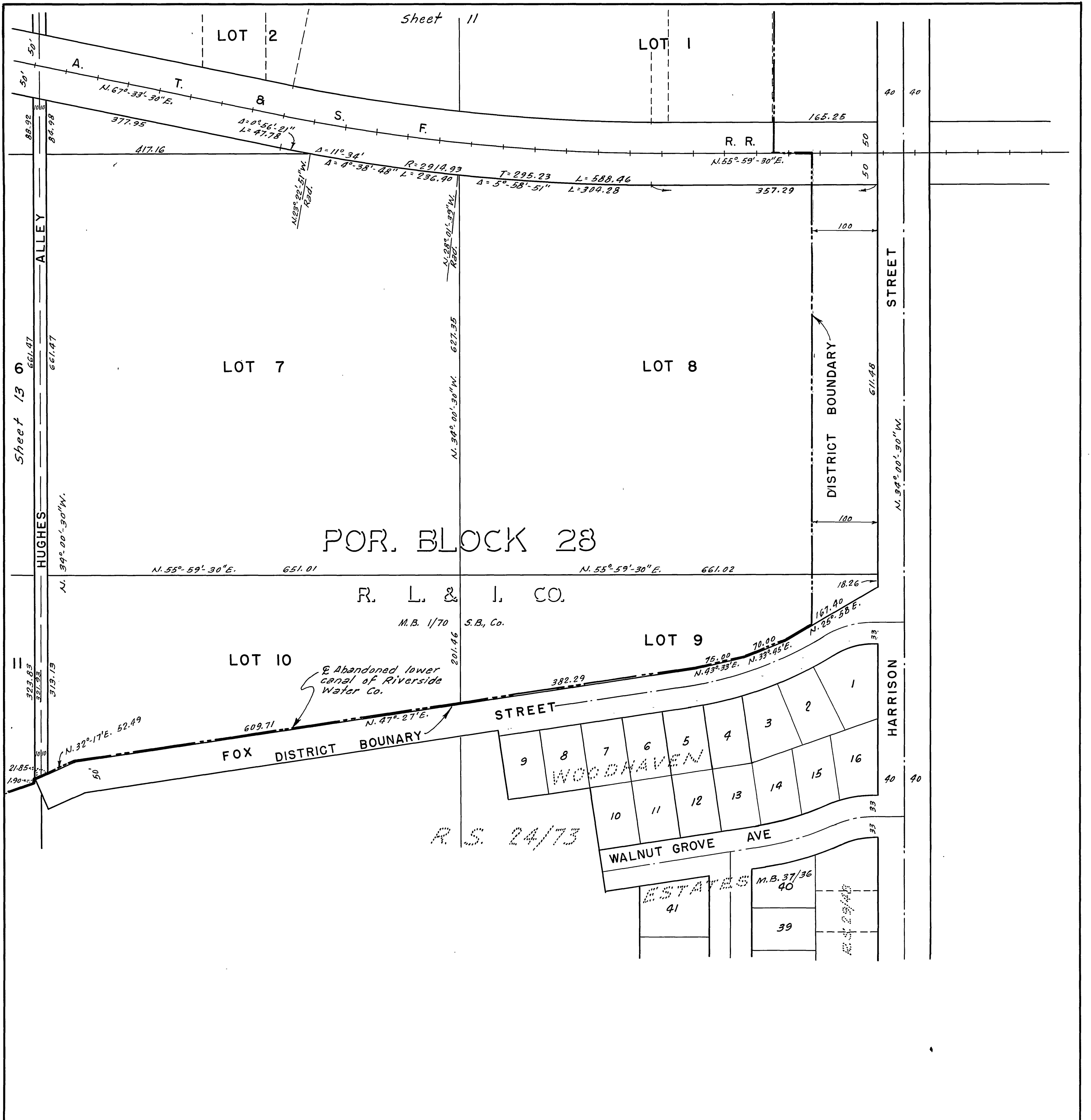
REVISIONS			CITY OF RIVERSIDE CALIFORNIA DEPARTMENT OF PUBLIC WORKS
MARK	DATE	DESCRIPTION	
			SOUTHWEST PUMPING STATION AND FORCE MAIN SEWER DISTRICT
DESIGNED BY	H.L.M.	CHECKED BY	APPROVED BY
DRAWN BY	H.L.M.	<i>Ernest N. Wells</i> R.E. 9876	<i>[Signature]</i> DIRECTOR OF PUBLIC WORKS
RECOMMENDED BY	<i>Francis F. Lafolter</i> ASSISTANT CITY ENGINEER	DATE	7-30-59

**S-133A**  
SHEET 10 OF 14



MAP SHOWING THE LANDS INCLUDED WITHIN THE ASSESSMENT DISTRICT TO BE BENEFITED BY THE CONSTRUCTION OF SANITARY SEWER

REVISIONS			CITY OF RIVERSIDE CALIFORNIA DEPARTMENT OF PUBLIC WORKS	
MARK	DATE	DESCRIPTION		
			SOUTHWEST PUMPING STATION AND FORCE MAIN SEWER DISTRICT	
DESIGNED BY	H.L.M.	CHECKED BY	APPROVED BY	S-133A SHEET 11 OF 14
DRAWN BY	H.L.M.	E. H. W. [Signature]	DIRECTOR OF PUBLIC WORKS	
RECOMMENDED BY	[Signature]	ASSISTANT CITY ENGINEER	DATE 7-20-59	

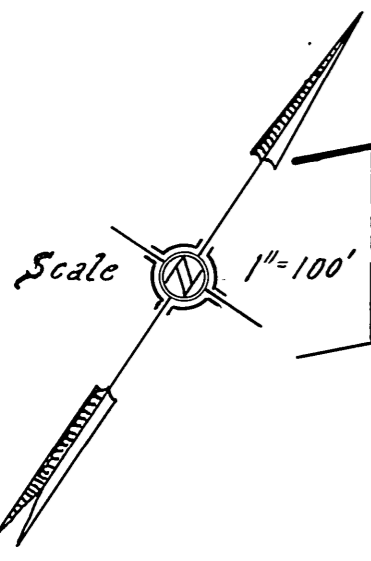
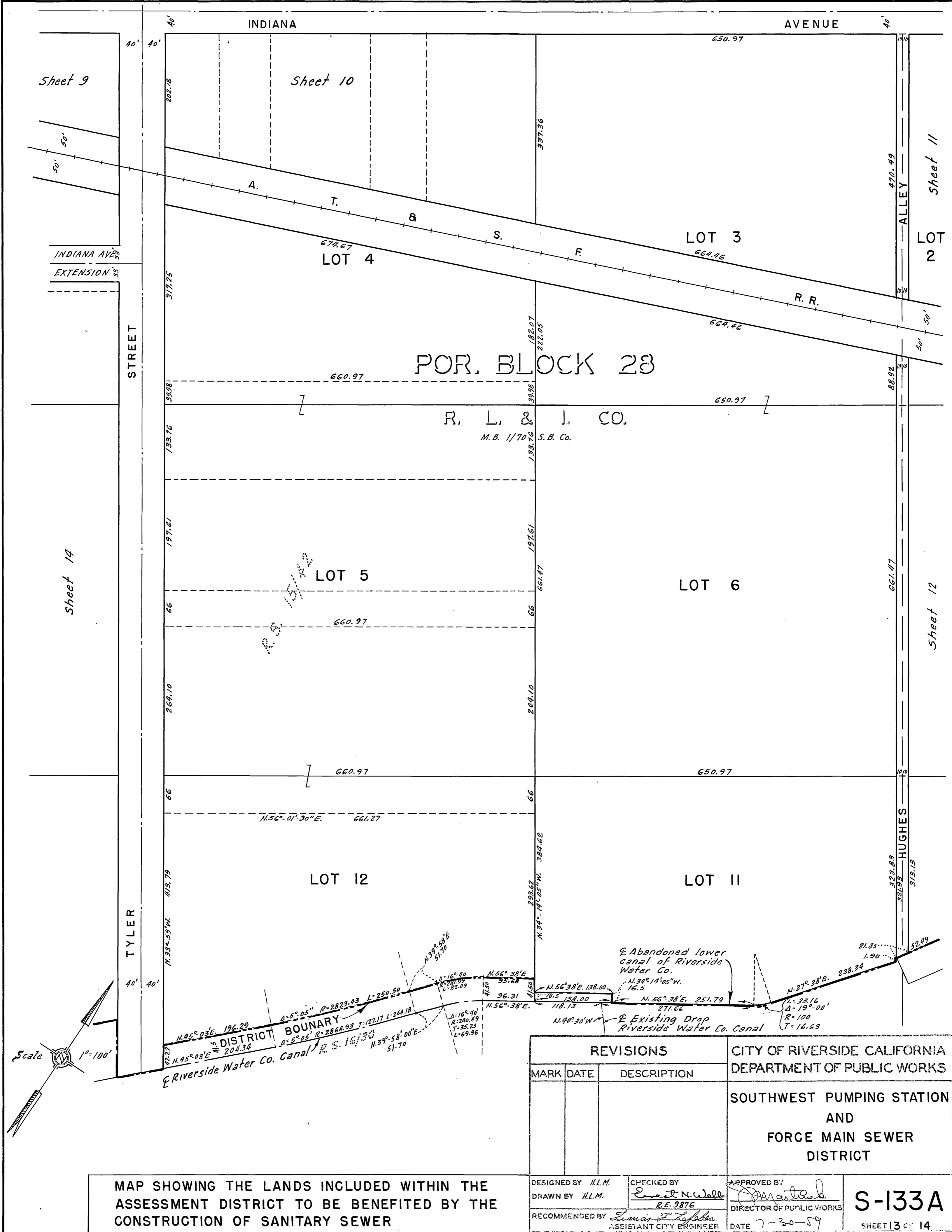


MAP SHOWING THE LANDS INCLUDED WITHIN THE ASSESSMENT DISTRICT TO BE BENEFITED BY THE CONSTRUCTION OF SANITARY SEWER

REVISIONS			CITY OF RIVERSIDE CALIFORNIA DEPARTMENT OF PUBLIC WORKS
MARK	DATE	DESCRIPTION	
			SOUTHWEST PUMPING STATION AND FORCE MAIN SEWER DISTRICT
DESIGNED BY	U.L.M.	CHECKED BY	APPROVED BY
DRAWN BY	U.L.M.	<i>Ernest N. Wells</i>	<i>Matthew</i>
RECOMMENDED BY	<i>Francis L. Lopez</i>	R.E. 9876	DIRECTOR OF PUBLIC WORKS
ASSISTANT CITY ENGINEER			DATE 7-30-59

**S-133A**  
SHEET 12 OF 14

wdg

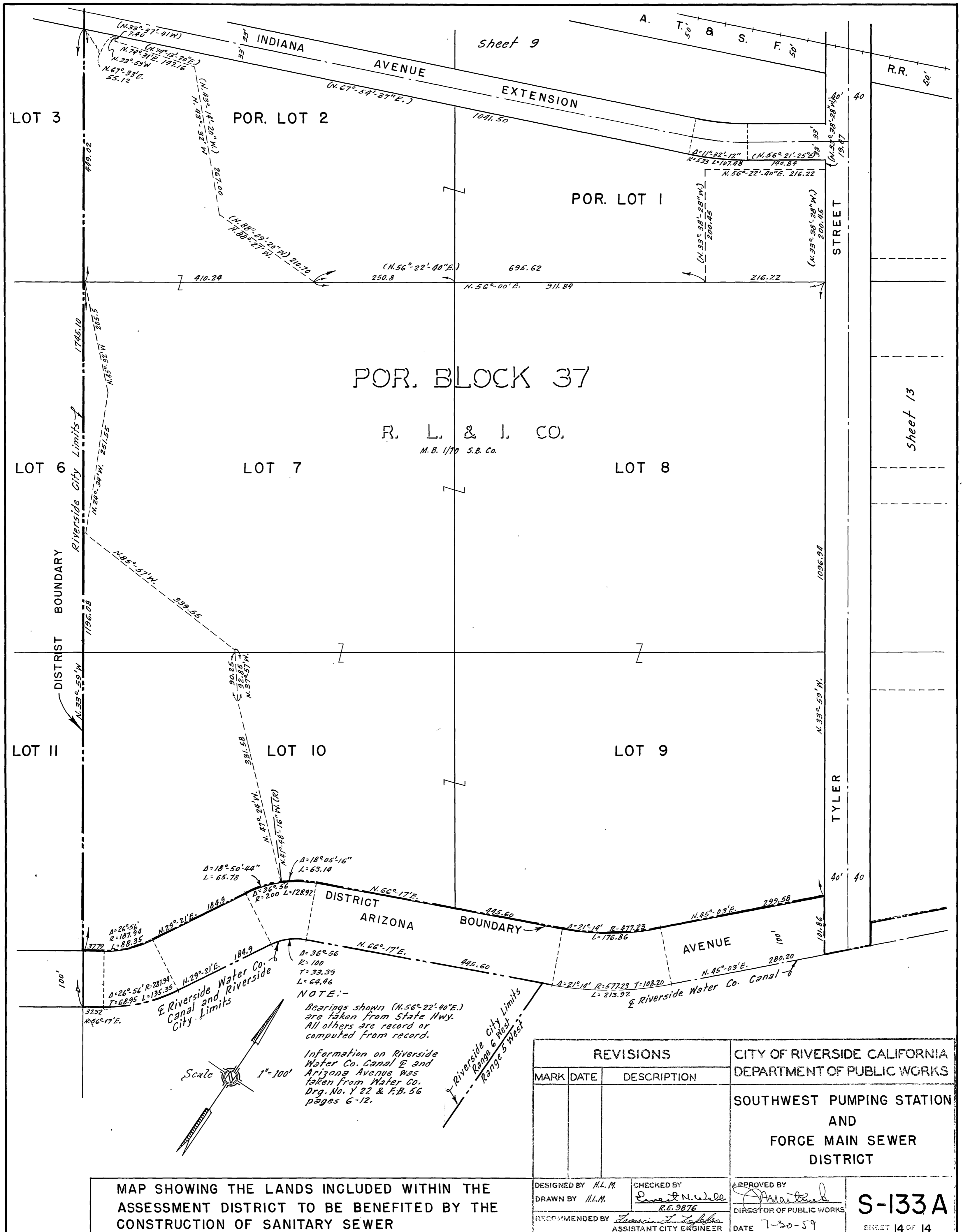


MAP SHOWING THE LANDS INCLUDED WITHIN THE ASSESSMENT DISTRICT TO BE BENEFITED BY THE CONSTRUCTION OF SANITARY SEWER

REVISIONS			CITY OF RIVERSIDE CALIFORNIA DEPARTMENT OF PUBLIC WORKS
MARK	DATE	DESCRIPTION	
			SOUTHWEST PUMPING STATION AND FORCE MAIN SEWER DISTRICT
DESIGNED BY	H.L.M.	CHECKED BY	APPROVED BY
DRAWN BY	H.L.M.	<i>Ernest N. Wall</i> R.E. 9876	<i>[Signature]</i> DIRECTOR OF PUBLIC WORKS
RECOMMENDED BY	<i>[Signature]</i> ASSISTANT CITY ENGINEER	DATE	7-30-59

**S-133A**

SHEET 13 OF 14



MAP SHOWING THE LANDS INCLUDED WITHIN THE ASSESSMENT DISTRICT TO BE BENEFITED BY THE CONSTRUCTION OF SANITARY SEWER

REVISIONS			CITY OF RIVERSIDE CALIFORNIA DEPARTMENT OF PUBLIC WORKS
MARK	DATE	DESCRIPTION	
			SOUTHWEST PUMPING STATION AND FORCE MAIN SEWER DISTRICT
DESIGNED BY	H.L.M.	CHECKED BY	APPROVED BY
DRAWN BY	H.L.M.	<i>Ewert N. Wade</i>	<i>[Signature]</i>
RECOMMENDED BY	<i>Luiscio L. Lopez</i>	RE. 9876	DIRECTOR OF PUBLIC WORKS
ASSISTANT CITY ENGINEER			DATE 7-30-59

S-133A  
SHEET 14 OF 14