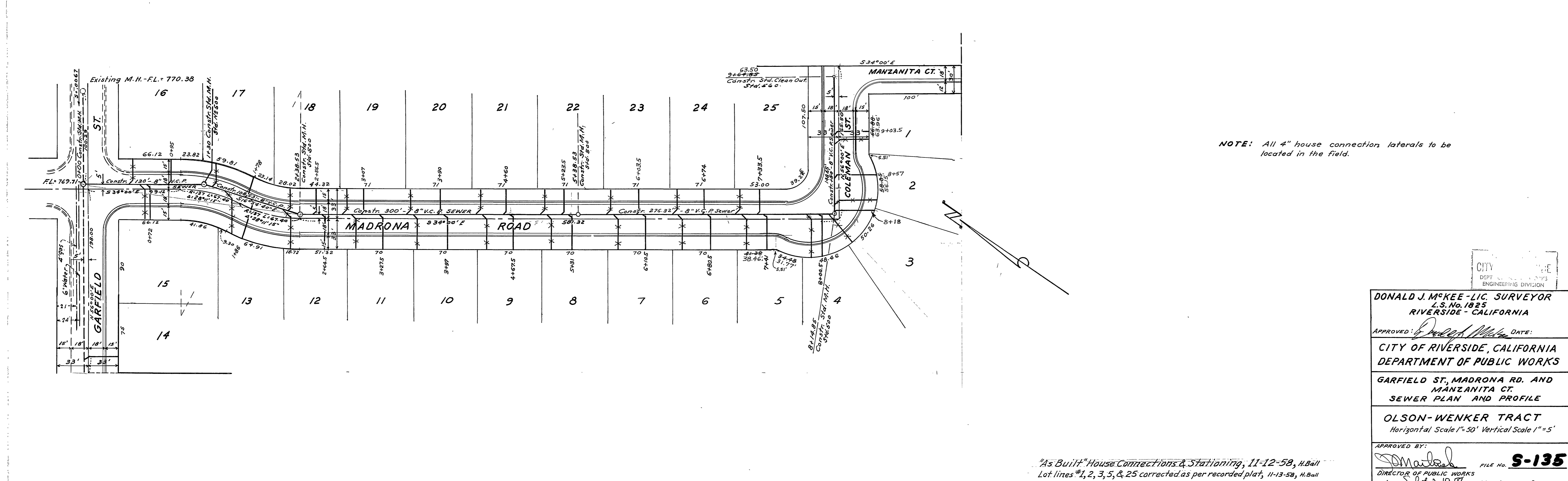


NO.	DATE	BY	DESCRIPTION
1			PROFILE
2			PLAN



NO.	DATE	BY	DESCRIPTION
1			PLAN
2			PROFILE

CITY OF RIVERSIDE
 DEPT. OF PUBLIC WORKS
 ENGINEERING DIVISION

CITY OF RIVERSIDE
 DEPT. OF PUBLIC WORKS
 ENGINEERING DIVISION

DONALD J. MCKEE - LIC. SURVEYOR
 L.S. No. 1825
 RIVERSIDE - CALIFORNIA

APPROVED: *[Signature]* DATE: _____

CITY OF RIVERSIDE, CALIFORNIA
 DEPARTMENT OF PUBLIC WORKS

GARFIELD ST., MADRONA RD. AND
MANZANITA CT.
SEWER PLAN AND PROFILE

OLSON-WENKER TRACT
 Horizontal Scale 1" = 50' Vertical Scale 1" = 5'

"As Built" House Connections & Stationing, 11-12-58, H.Ball
 Lot lines #1, 2, 3, 5, & 25 corrected as per recorded plat, 11-13-58, H.Ball

APPROVED BY: *[Signature]* FILE NO. **S-135**
 DIRECTOR OF PUBLIC WORKS
 Date **Sept 2, 1958** Sheet **1** of **1**