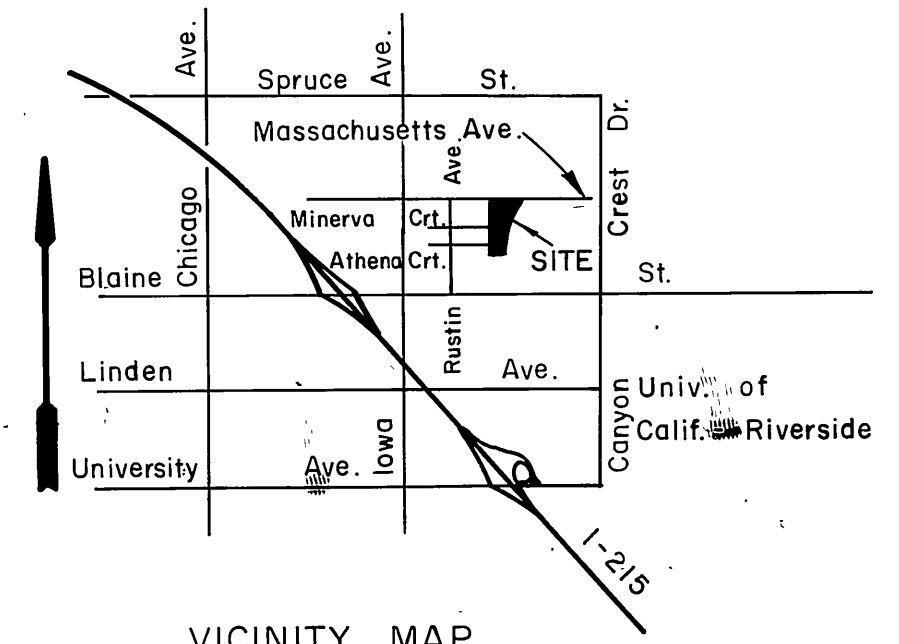
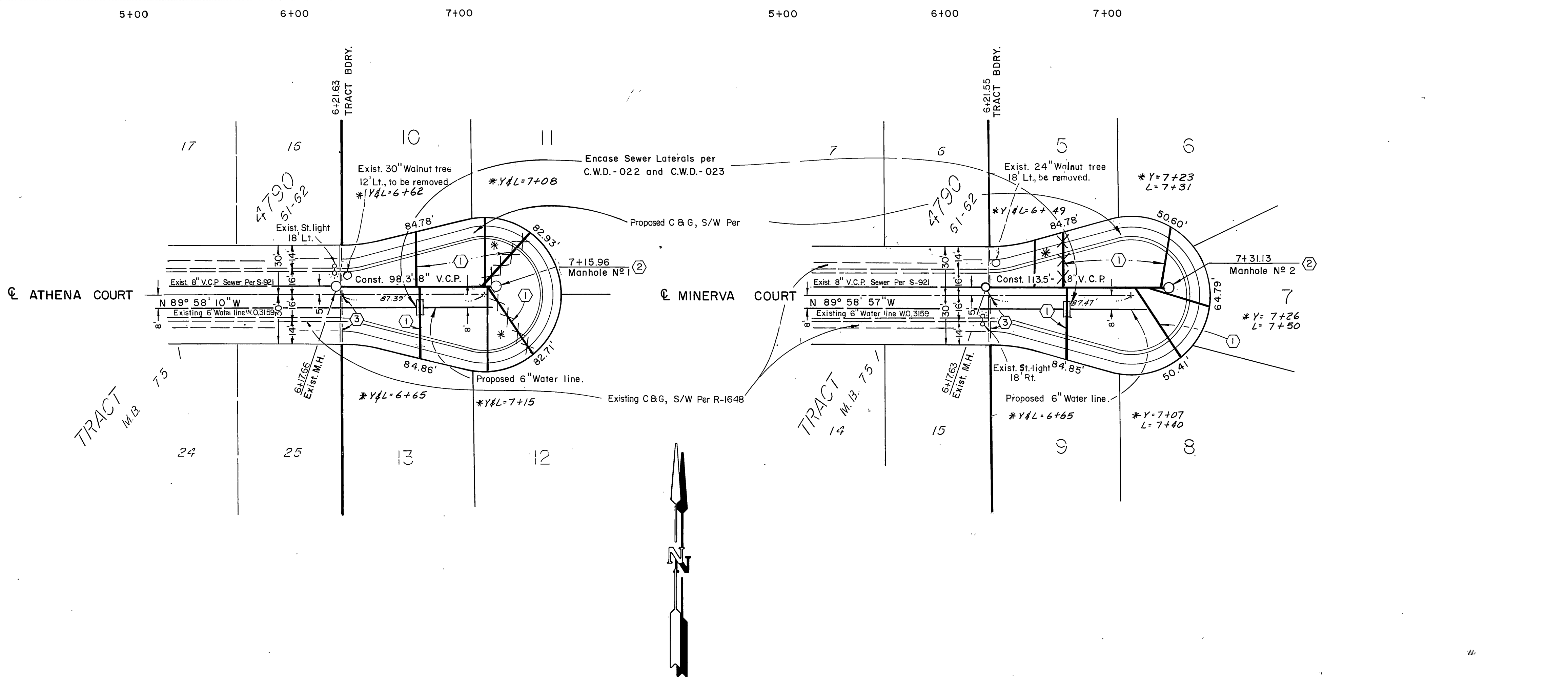


- GENERAL NOTES**
- The Private Engineer signing these plans is responsible for the accuracy and acceptability of the work hereon. In the event of discrepancies arising during construction, the Private Engineer signing these plans shall be responsible for determining an acceptable solution and revising the plans for approval by the City.
 - Construction shall be in accordance with Standard Specifications for Public Works Construction 1985 Edition and per City of Riverside Standard Drawings.
 - It shall be the responsibility of the Contractor to clear the Right-of-Way in accordance with the provisions of law as it affects each utility including irrigation lines and appurtenances and at no cost to the City.
 - Pipe shall be bedded per Case II, Standard Drawing No. 452, unless otherwise specified on the plans.
 - Location of laterals to be determined in the field at direction of the owner.
 - All stubs and laterals to be constructed in accordance with Standard Drawing No. 562.
 - Laterals are to be 4" V.C.P. and extended to property line.
 - Prior to construction of the sewer, the Contractor is to expose the existing sewer and contact the Engineer for verification of existing location and elevation.
 - Plugs shall be installed and will remain in place where the new sewer connects with the existing sewer until such time as the new sewer is accepted by the City.
 - No finished floor elevation shall be less than 4' above the sewer flow line at point of connection without having a proper backwater installed in the lateral.
 - The sewer contractor shall adjust manholes to find grade after paving is completed.
 - The contractor shall call for a location request to Underground Service Alert (USA), Phone 1-800-422-4133, two working days before digging. No construction permit will be issued by the Public Works Department involving excavation for underground facilities unless the applicant has been provided an inquiry identification number by USA.
 - The private engineer preparing these plans shall be responsible for preserving or re-establishing and referencing survey monuments destroyed, disturbed or buried as a result of construction shown hereon.

- CONSTRUCTION NOTES**
- Construct 4" V.C.P. Lateral to property line per Std. 562.
 - Construct Sewer Manhole per Standard Drawing No. 500.
 - Existing 3' x 60' redwood barricade & End sign to be removed.



<p>CITY OF RIVERSIDE WATER SYSTEM</p> <p>APPROVED BY: <i>[Signature]</i> City Engineer - Water</p>	<p>PERRIS ENGINEERING</p> <p>PAUL DIEGES - CIVIL ENGINEER - R.C.E. 13234 1051 DAVIDS RD., PERRIS, CA. 92370 (714) 657-2822</p> <p>APPROVED BY: <i>[Signature]</i> DATE: 5-14-85</p>	<p>BENCH MARK: Found Standard Brass Disk stamped G 1141 1961, at the Highland Grammar School, set vertically in the west wall of a concrete patio, 2 feet above the ground.</p> <p>Elevation: 1077.842</p>	<p>CITY OF RIVERSIDE, CALIFORNIA PUBLIC WORKS DEPARTMENT</p>		<p>ACCOUNT NO. DRAWING NUMBER</p>
			<p>DESIGNED BY: <i>[Signature]</i> DRAWN BY: <i>[Signature]</i> CHECKED BY: <i>[Signature]</i></p>	<p>APPROVED BY: <i>[Signature]</i> DIRECTOR OF PUBLIC WORKS</p>	<p>DATE: 10-11-85</p>
<p>SCALE: HORIZONTAL: 1" = 40' VERTICAL: 1" = 4'</p>			<p>W.O. No 84-34</p>		