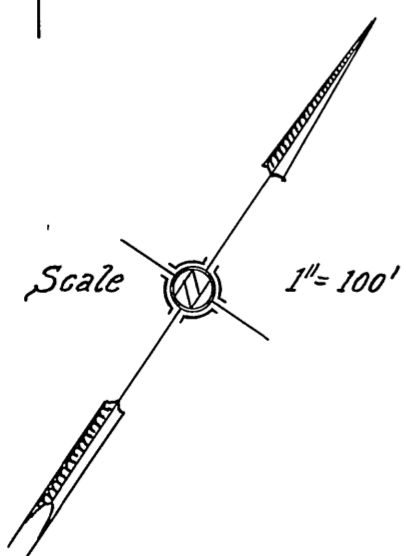
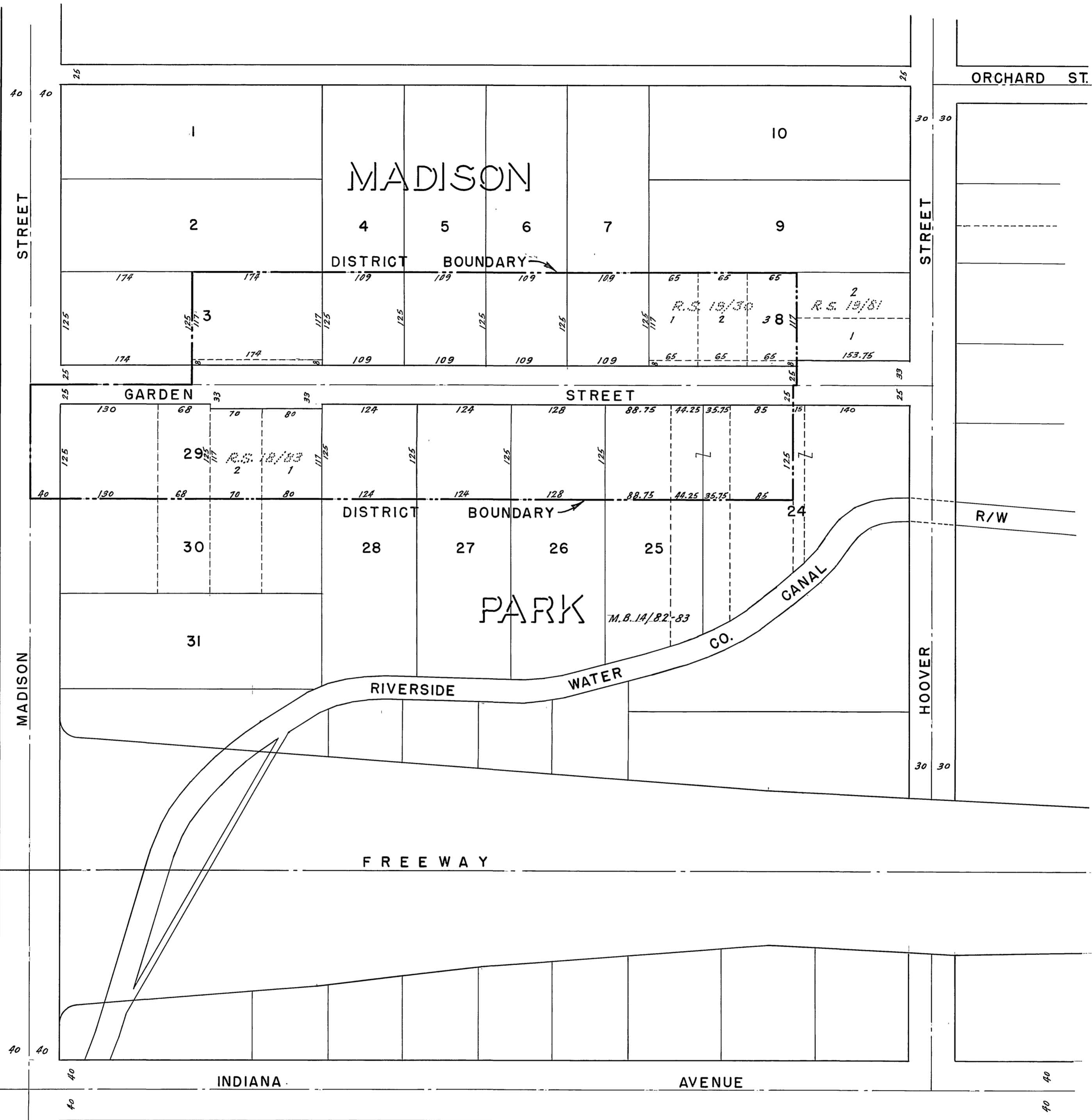


PPC
CITY OF RIVERSIDE
DEPT. OF PUBLIC WORKS
ENGINEERING DIVISION



PROPERTY OF
CITY OF RIVERSIDE
DEPT. OF PUBLIC WORKS
ENGINEERING DIVISION

REVISIONS			CITY OF RIVERSIDE CALIFORNIA DEPARTMENT OF PUBLIC WORKS	
MARK	DATE	DESCRIPTION		
			GARDEN STREET SANITARY SEWER DISTRICT	
DESIGNED BY H.L.M.		CHECKED BY <i>Ernest N. Wall</i>	APPROVED BY <i>Francis J. Leffler</i>	
DRAWN BY H.L.M.		RE 9876 Acting	DIRECTOR OF PUBLIC WORKS	
RECOMMENDED BY		ASSESSOR CITY ENGINEER	DATE 10/27/58	SHEET OF

MAP SHOWING THE LANDS INCLUDED WITHIN THE ASSESSMENT DISTRICT TO BE BENEFITED BY THE CONSTRUCTION OF SANITARY SEWER

S-140-A