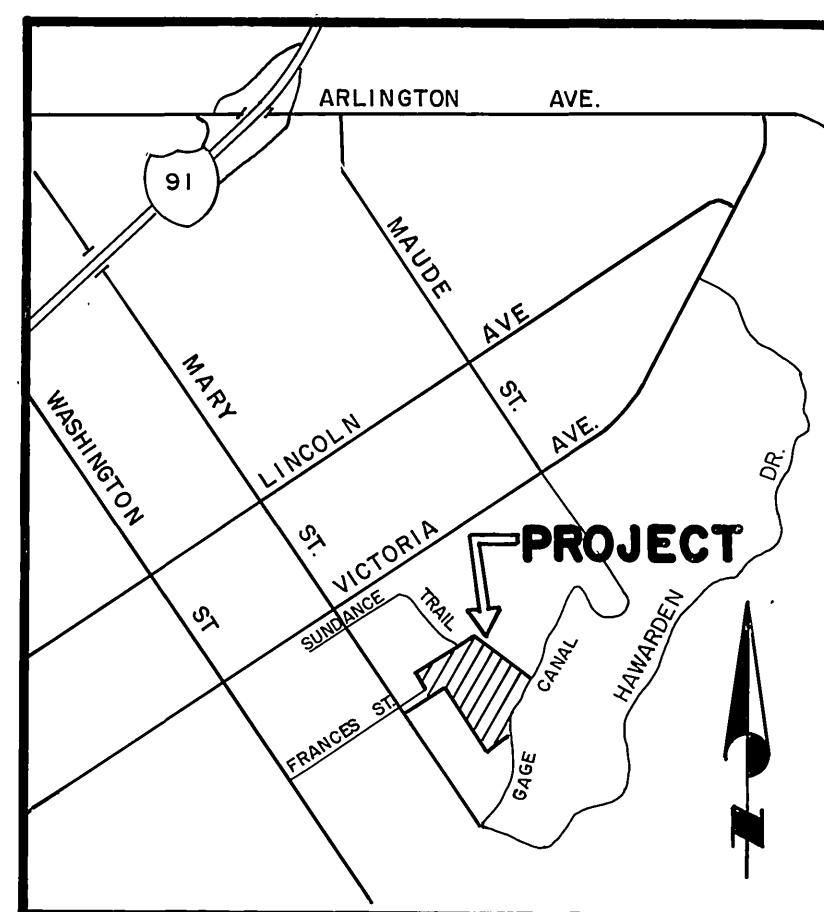


INDEX MAP

SCALE 1" = 100'



VICINITY MAP

NO SCALE

GENERAL NOTES

1. The private engineer signing these plans is responsible for the accuracy and acceptability of the work hereon. In the event of discrepancies arising during construction the private engineer signing the plans shall be responsible for determining an acceptable solution and revising the plans for approval by the city.
2. It shall be the responsibility of the contractor to clear the right-of-way in accordance with the provisions of law as it affects each utility including irrigation lines and appurtenances and at no cost to the city.
3. Construction shall be in accordance with the City of Riverside department of public works, standard drawings, and the standard specifications for public works construction, 1985 edition.
4. Location of laterals to be determined in the field at the direction of the owner. Avoid conflict with proposed and/or existing facilities.
5. Contractor is to verify existing sewer elevation prior to construction.
6. The sewer contractor shall adjust manholes to final grade after paving is completed.
7. No finished floor elevation shall be less than 4' above the sewer flow line at the point of connection without having a proper backwater valve installed in the lateral.
8. A plug wall shall be installed and will remain in place where the new sewer connects with the existing sewer until the new sewer is accepted by the City of Riverside.
9. All flagged elevations shall be staked in the field by the private engineer.
10. The contractor shall call in a location request to Underground Service Alert (U.S.A.), Phone 1-800-422-4133, two working days before digging. No construction permit will be issued by the Public Works Department involving excavation for underground facilities unless the applicant has been provided an inquiry identification number by U.S.A.

CONSTRUCTION NOTES

- ① Construct manhole per City of Riverside std. dwg. no. 500
- ② Install 8" V.C.P. Sewer main.
- ③ Install 4" V.C.P. Sewer laterals per City of Riverside std. dwg. no. 562.

BENCH MARK
G6-B
BRASS DISC STAMPED G6-B CAPPED
@ INTERSECTION OF VICTORIA AVE.
AND MARY ST. C.R.F.B. 735/5
ELEV. 944.502

*As built TE 11/86

INDEXED D.N.

CITY OF RIVERSIDE
WATER SYSTEM

J. F. DAVIDSON ASSOCIATES
CIVIL ENGINEERS SURVEYORS PLANNERS
3426 TENTH STREET 11200 S. MT. VERNON AVE.
RIVERSIDE, CAL. COLTON, CAL.

APPROVED BY
John W. Canty 8-5-85
DATE

APPROVED WATER
William D. Davidson 12-12-85
DATE

DESIGNED BY	DRAWN BY	CHECKED BY
<i>W.D.</i>	<i>W.D.</i>	<i>C.H.</i>
REVISIONS	APPR. DATE	

CITY OF RIVERSIDE, CALIFORNIA
DEPARTMENT OF PUBLIC WORKS

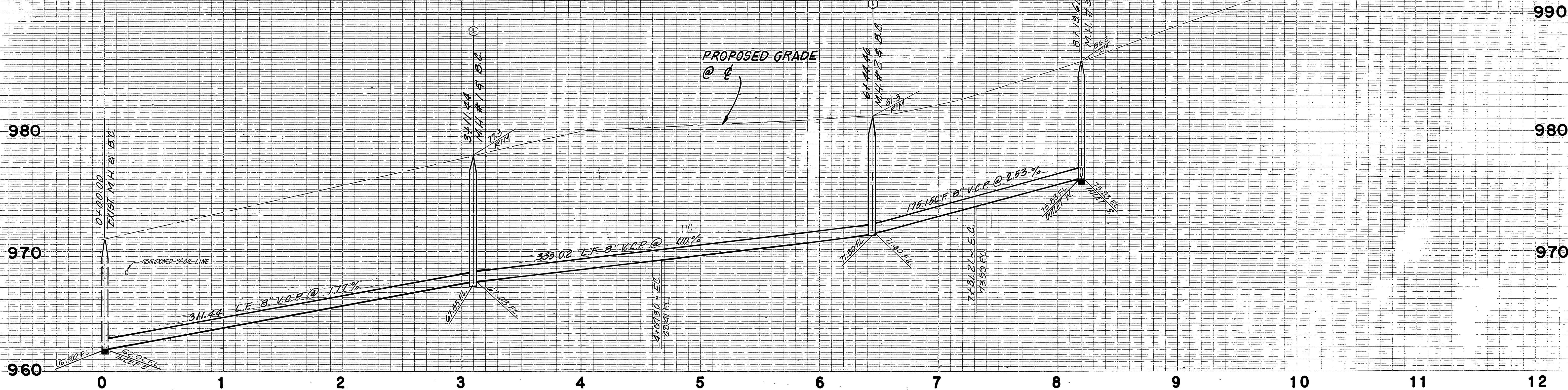
APPROVED BY
PRINCIPAL ENGINEER
PARK DEPARTMENT
TRAFFIC DIVISION
CHIEF P. W. ENGR.

APPROVED BY
William D. Davidson
DIRECTOR OF PUBLIC WORKS
DATE 1-7-86

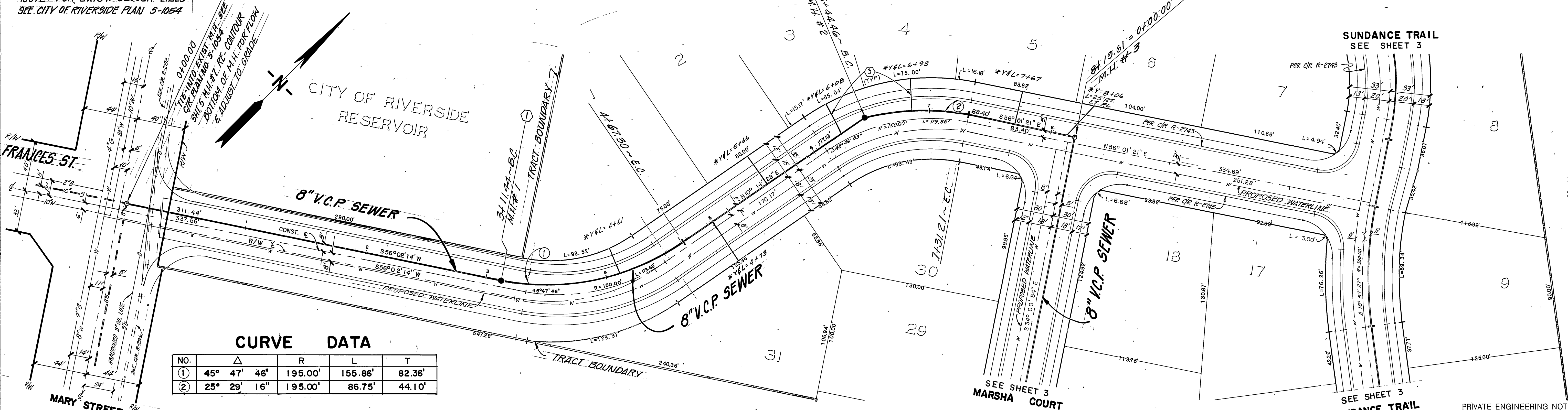
SEWER IMPROVEMENT PLANS
TRACT NO. 20811
TITLE SHEET

PROJECT NO.
S-1415
SHEET 1 OF 3
FILE NO. 85-8692(M)

HORIZ. SCALE: 1" = VERT. SCALE: 1" =



NOTE: FOR EXIST. SEWER LINES SEE CITY OF RIVERSIDE PLAN S-1054



CURVE DATA

NO.	Δ	R	L	T
①	45° 47' 46"	195.00'	155.86'	82.36'
②	25° 29' 16"	195.00'	86.75'	44.10'

FRANCES STREET

BENCH MARK (66-B)
 FOUND BRASS DISK STAMPED 66-B
 CLIPPED @ INTERSECTION OF VICTORIA
 AVE. AND MARY ST. C.R.F.B. 736/5.
 ELEVATION 944.802

**CITY OF RIVERSIDE
 WATER**

[Signature]
 12-12-85
 APPROVED DATE

J. F. DAVIDSON ASSOCIATES
 CIVIL ENGINEERS SURVEYORS PLANNERS
 3426 TENTH STREET 11200 S. MT. VERNON AVE.
 RIVERSIDE, CAL. COLTON, CAL.

APPROVED BY *[Signature]*
 REGISTERED CIVIL ENGINEER NO. 17550 DATE 8/5/85

MARK	REVISIONS	APPR.	DATE

DESIGNED BY R.L.S. DRAWN BY J.C.C. CHECKED BY C.H.L.

**CITY OF RIVERSIDE, CALIFORNIA
 DEPARTMENT OF PUBLIC WORKS**

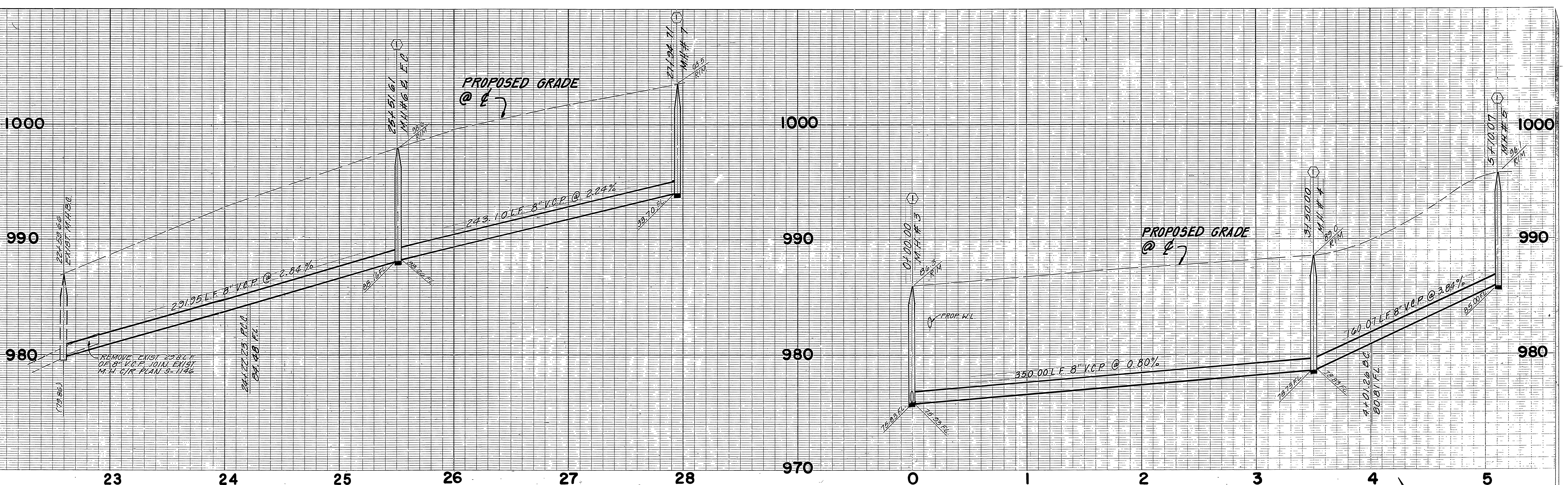
APPROVED BY *[Signature]* DATE 1/7/86
 PRINCIPAL ENGINEER
 PARK DEPARTMENT
 TRAFFIC DIVISION
 CHIEF P.W. ENGR.

SEWER PLAN AND PROFILE
TRACT NO. 20811
FRANCES STREET
SEWER PLAN & PROFILE

PROJECT NO.
S-1415
 SHEET 2 OF 3
 FILE NO. 85-8692 (M)

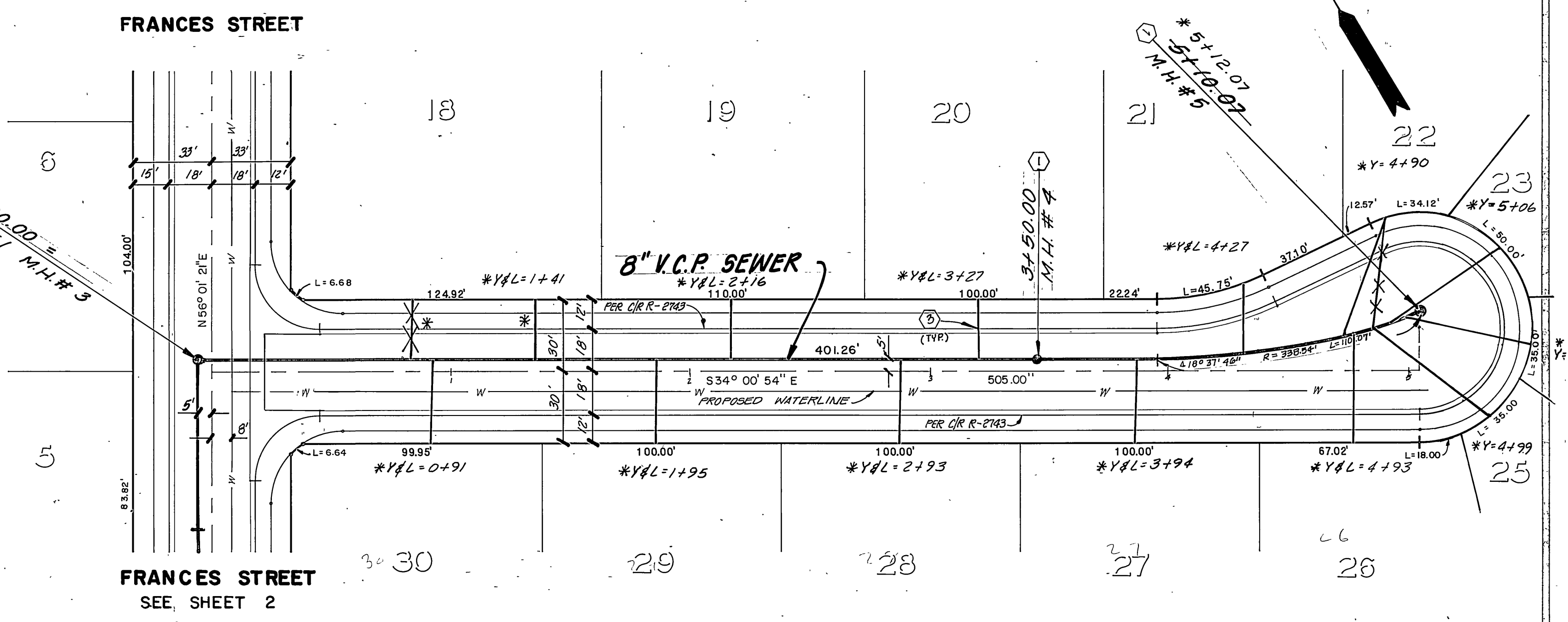
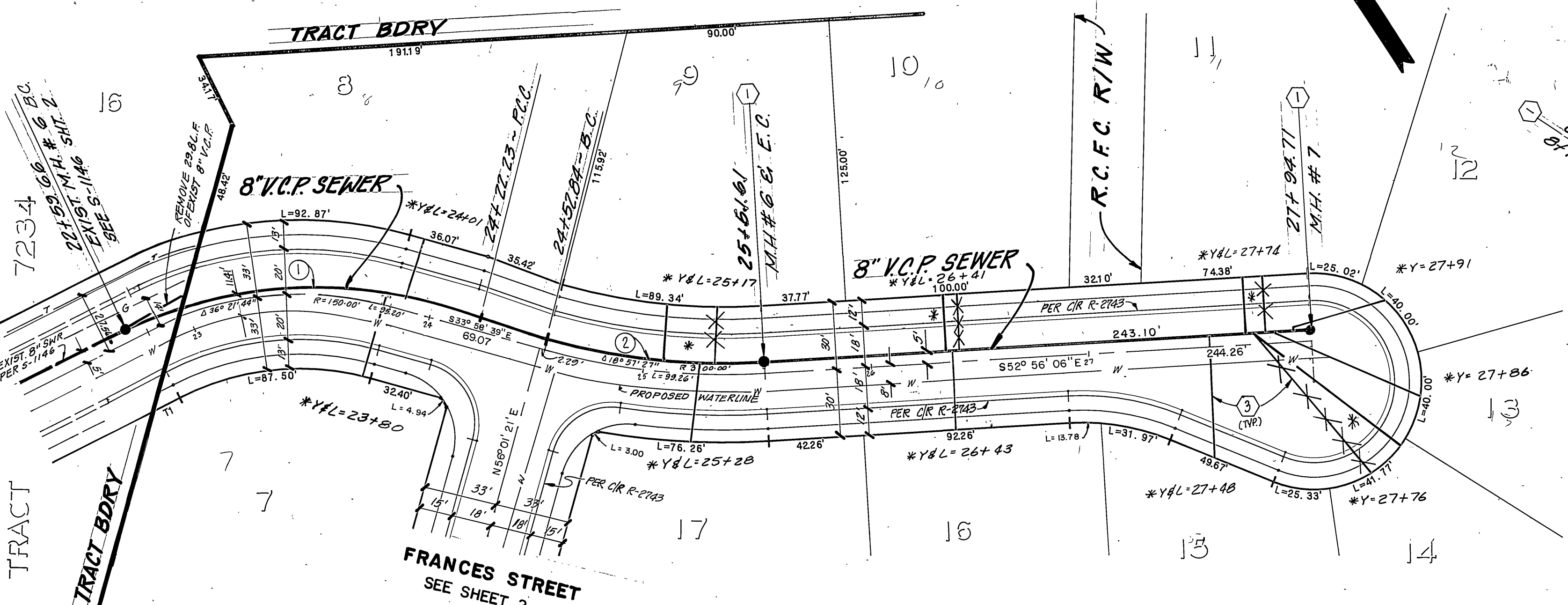
PRIVATE ENGINEERING NOTE
 (NOT REQUIRED BY RIVERSIDE COUNTY ROAD DEPARTMENT)

CONSTRUCTION CONTRACTOR AGREES THAT IN ACCORDANCE WITH GENERALLY ACCEPTED CONSTRUCTION PRACTICES, CONSTRUCTION CONTRACTOR WILL BE REQUIRED TO ASSUME SOLE AND COMPLETE RESPONSIBILITY FOR JOB SITE CONDITIONS DURING THE COURSE OF CONSTRUCTION OF THE PROJECT, INCLUDING SAFETY OF ALL PERSONS AND PROPERTY. THAT THIS REQUIREMENT SHALL BE MADE TO APPLY CONTINUOUSLY AND NOT BE LIMITED TO NORMAL WORKING HOURS, AND CONSTRUCTION CONTRACTOR FURTHER AGREES TO DEFEND, INDEMNIFY AND HOLD DESIGN PROFESSIONAL HARMLESS FROM ANY AND ALL LIABILITY, REAL OR ALLEGED, IN CONNECTION WITH THE PERFORMANCE OF WORK ON THIS PROJECT, EXCEPTING LIABILITY ARISING FROM THE SOLE NEGLIGENCE OF DESIGN PROFESSIONAL.



CURVE DATA

NO	Δ	R	L	T
①	47° 46' 06"	195.00'	162.57'	86.35'
②	25° 07' 41"	295.00'	129.38'	65.75'



BENCH MARK (66-B)
 FOUND BRASS DISK STAMPED 06-B
 CAPPED @ INTERSECTION OF VICTORIA
 AVE. AND MARY ST. CR.F.B. 735/5
 ELEVATION 944.502

SUNDANCE TRAIL

MARSHA COURT

PRIVATE ENGINEERING NOTE
 (NOT REQUIRED BY RIVERSIDE COUNTY ROAD DEPARTMENT)
 CONSTRUCTION CONTRACTOR AGREES THAT IN ACCORDANCE WITH GENERALLY ACCEPTED
 CONSTRUCTION PRACTICES, CONSTRUCTION CONTRACTOR WILL BE REQUIRED TO ASSUME
 SOLE AND COMPLETE RESPONSIBILITY FOR JOB SITE CONDITIONS DURING THE COURSE OF
 CONSTRUCTION OF THE PROJECT, INCLUDING SAFETY OF ALL PERSONS AND PROPERTY;
 THAT THIS REQUIREMENT SHALL BE MADE TO APPLY CONTINUOUSLY AND NOT BE LIMITED
 TO NORMAL WORKING HOURS, AND CONSTRUCTION CONTRACTOR FURTHER AGREES TO DEFEND,
 INDEMNIFY AND HOLD DESIGN PROFESSIONAL HARMLESS FROM ANY AND ALL LIABILITY,
 REAL OR ALLEGED, IN CONNECTION WITH THE PERFORMANCE OF WORK ON THIS PROJECT,
 EXCEPTING LIABILITY ARISING FROM THE SOLE NEGLIGENCE OF DESIGN PROFESSIONAL.

CITY OF RIVERSIDE WATER APPROVED DATE 12-12-85	J. F. DAVIDSON ASSOCIATES CIVIL ENGINEERS SURVEYORS PLANNERS 3426 TENTH STREET RIVERSIDE, CAL. 11200 S. MT. VERNON AVE. COLTON, CAL. APPROVED BY: REGISTERED CIVIL ENGINEER NO. 17550 DATE 8/5/85	CITY OF RIVERSIDE, CALIFORNIA DEPARTMENT OF PUBLIC WORKS APPROVED BY: WILLIAM S. DAVIDSON DIRECTOR OF PUBLIC WORKS DATE 1.7.86	SEWER PLAN AND PROFILE TRACT NO. 20811 SUNDANCE TRAIL MARSHA COURT SEWER PLAN & PROFILE	PROJECT NO. S-1415
				SHEET 3 OF 3 HORIZ. SCALE: 1" = 40' VERT. SCALE: 1" = 4' FILE NO. 85-8692