

**SEWER NOTES-CITY OF RIVERSIDE:**

- SEWER PROFILE ELEVATIONS ARE TO FLOW LINE (CONDUIT INVERT).
- ALL STATIONS ARE SEWER CENTERLINE STATIONS.
- ALL WORK AND MATERIALS SHALL CONFORM TO CITY OF RIVERSIDE STANDARDS AND SPECIFICATIONS FOR SEWER SYSTEM CONSTRUCTION.
- PRIOR TO CONSTRUCTION OF SEWER, CONTRACTOR SHALL EXPOSE EXISTING SEWER AND VERIFY ITS EXISTING ELEVATION AND LOCATION. WHERE CONNECTING TO EXISTING MANHOLE AND INLET STUB OF PROPER SIZE EXISTS, NO ALTERATIONS SHALL BE MADE TO EXISTING MANHOLE BASE OR STUB EXCEPT AS SPECIFICALLY AUTHORIZED BY CITY OF RIVERSIDE.
- ALL FLAGGED ELEVATIONS SHALL BE STAKED IN THE FIELD BY THE PRIVATE ENGINEER.
- IT SHALL BE THE RESPONSIBILITY OF THE CONTRACTOR TO CLEAR THE RIGHT OF WAY IN ACCORDANCE WITH THE PROVISIONS OF LAW AS IT AFFECTS EACH UTILITY INCLUDING IRRIGATION LINES AND APPURTENANCES AND AT NO COST TO THE CITY.
- CONSTRUCTION SHALL BE IN ACCORDANCE WITH THE CITY OF RIVERSIDE DEPARTMENT OF PUBLIC WORKS, STANDARD DRAWINGS, STANDARD DRAWING NO. 10 AND THE STANDARD SPECIFICATIONS FOR PUBLIC WORKS CONSTRUCTION, CURRENT EDITION.
- MANHOLES SHALL BE CONSTRUCTED IN ACCORDANCE WITH STD. DWG. 500.
- THE SEWER CONTRACTOR SHALL ADJUST MANHOLES TO FINAL GRADE AFTER PAVING IS COMPLETED.
- QUANTITIES SHOWN ARE FOR INFORMATION ONLY AND THE CITY OF RIVERSIDE IS NOT RESPONSIBLE FOR THEIR ACCURACY.
- THE PRIVATE ENGINEER SIGNING THESE PLANS IS RESPONSIBLE FOR ASSURING THE ACCURACY AND ACCEPTABILITY OF THE WORK HEREON. IN THE EVENT OF DISCREPANCIES ARISING DURING CONSTRUCTION, THE PRIVATE ENGINEER SHALL BE RESPONSIBLE FOR DETERMINING AN ACCEPTABLE SOLUTION AND REVISING THE PLANS FOR APPROVAL BY THE CITY.
- THE PRIVATE ENGINEER PREPARING THESE PLANS SHALL BE RESPONSIBLE FOR PRESERVING OR RE-ESTABLISHING AND REFERENCING SURVEY MONUMENTS DESTROYED, DISTURBED OR BURIED AS A RESULT OF CONSTRUCTION SHOWN HEREON.
- THE CONTRACTOR SHALL CALL IN A LOCATION REQUEST TO UNDERGROUND SERVICE ALERT (U.S.A.), PHONE NO. 1-800-482-4133, TWO WORKING DAYS BEFORE DIGGING. NO CONSTRUCTION PERMIT WILL BE ISSUED BY THE PUBLIC WORKS DEPARTMENT INVOLVING EXCAVATION FOR UNDERGROUND FACILITIES UNLESS THE APPLICANT HAS BEEN PROVIDED AN INQUIRY IDENTIFICATION NUMBER BY U.S.A.
- A PLUG SHALL BE INSTALLED AND WILL REMAIN IN PLACE WHERE THE NEW SEWER CONNECTS WITH THE EXISTING SEWER UNTIL THE NEW SEWER IS ACCEPTED BY THE CITY.

**EXISTING UNDERGROUND STRUCTURES:**

THE EXISTENCE AND LOCATION OF ANY UNDERGROUND UTILITY PIPES OR STRUCTURES OR CONDUITS SHOWN ON THESE PLANS ARE OBTAINED BY A SEARCH OF THE AVAILABLE RECORDS. TO THE BEST OF OUR KNOWLEDGE, THERE ARE NO EXISTING UTILITIES EXCEPT AS SHOWN ON THESE PLANS. THE CONTRACTOR IS REQUIRED TO TAKE DUE PRECAUTIONARY MEASURES TO PROTECT THE UTILITY LINES SHOWN AND ANY OTHER LINES NOT OF RECORD OR NOT SHOWN ON THESE PLANS. IT SHALL BE THE CONTRACTOR'S RESPONSIBILITY TO NOTIFY THE OWNERS OF THE UTILITIES OR STRUCTURES CONCERNED BEFORE STARTING WORK. CONTRACTOR FURTHER ASSUMES ALL LIABILITY AND RESPONSIBILITY FOR THE UNDERGROUND UTILITY PIPES, CONDUITS OR STRUCTURES SHOWN OR NOT SHOWN ON THESE PLANS.

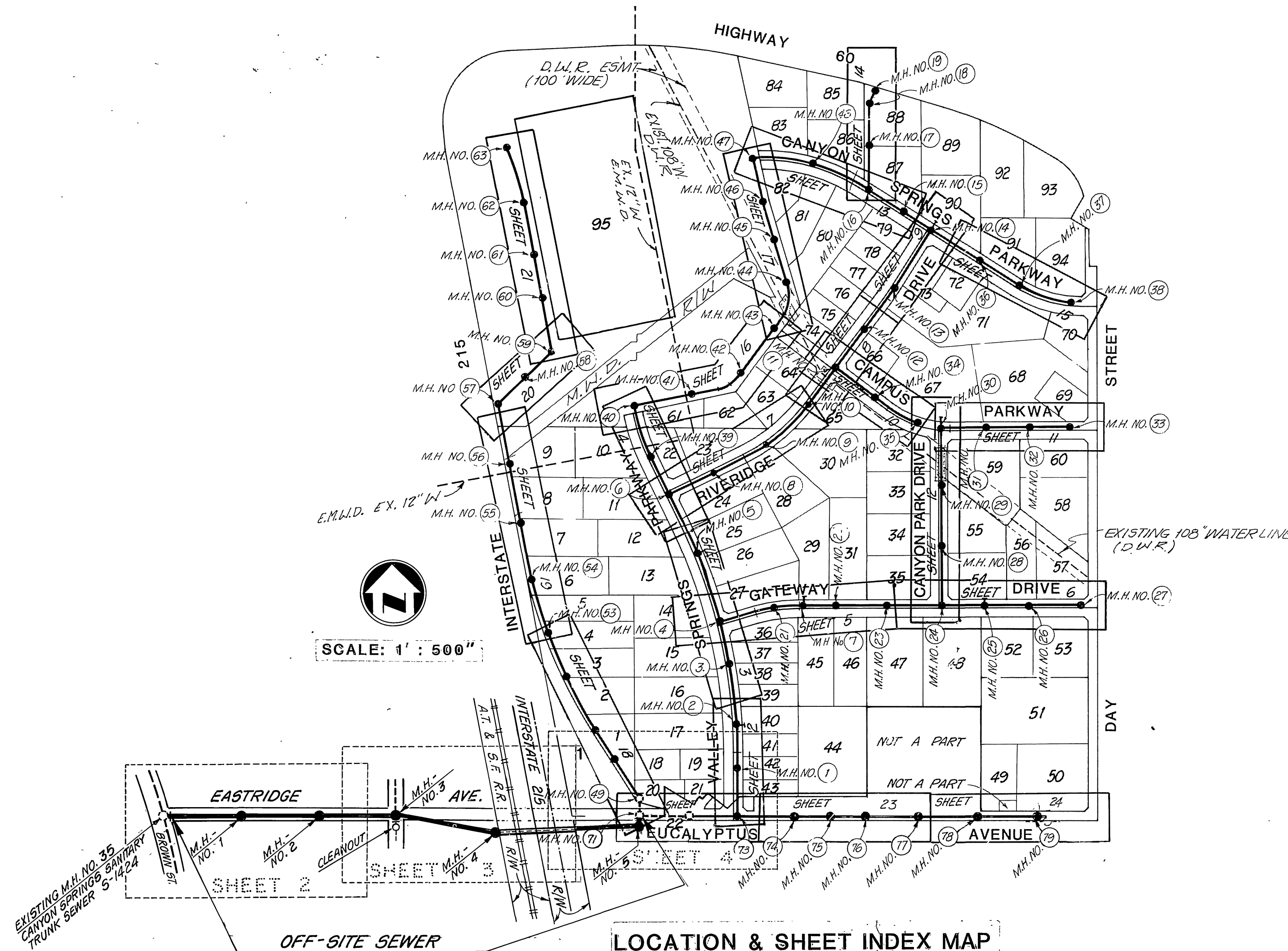
**NOTICE TO CONTRACTOR:**

CONTRACTOR SHALL VERIFY ALL CONDITIONS AND DIMENSIONS AND SHALL REPORT ALL DISCREPANCIES TO THE ENGINEER PRIOR TO THE COMMENCEMENT OF WORK.

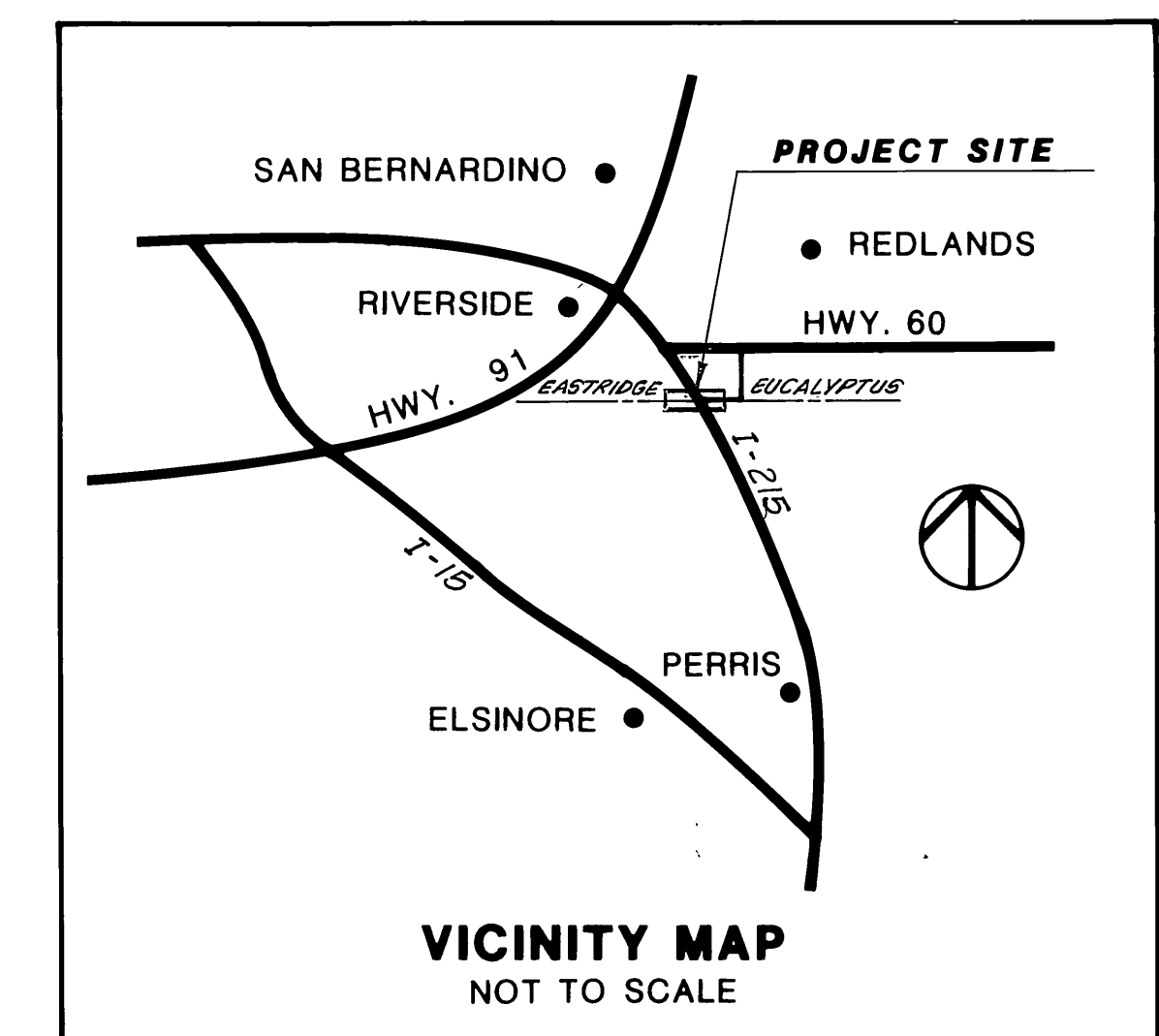
**CANYON SPRINGS ASSESSMENT DISTRICT  
CONSTRUCTION PHASE II  
OFF-SITE SANITARY SEWER PLAN FOR:  
PARCEL MAP NO. 19617  
CITY OF RIVERSIDE**

**NOTIFICATIONS:**

CONSTRUCTION WITHIN THE BOUNDARIES OF EDMONT COMMUNITY SERVICES DISTRICT  
"Contractor shall notify Edgemont Community Services District, Chuck Sanders, Supt., at (714)658-5120 prior to starting construction."



**LOCATION & SHEET INDEX MAP**



**VICINITY MAP  
NOT TO SCALE**

CONSTRUCTION NOTES AND QUANTITY ESTIMATE		
NO.	ITEM DESCRIPTION	QUANTITY
①	INSTALL 15" V.C.P. SEWER MAIN	2041 <del>2420</del> L.F.
* ②	INSTALL 15" V.C.P. SEWER MAIN (EXTRA STRENGTH)	693 <del>277</del> L.F.
* ③	INSTALL 30" DIA. X 1/2" THICK STEEL PIPE CASING	693 <del>277</del> L.F.
④	INSTALL MANHOLE PER CITY OF RIVERSIDE STD. DWG. NO. 500 (5' I.D.)	5 EA.
⑤	INSTALL CLEANOUT PER CITY OF RIVERSIDE STD. DWG. NO. 560	1 EA.
⑥	CONNECTION TO EXISTING SYSTEM	2 EA.
⑦	ADJUST MANHOLE COVERS TO GRADE	5 EA.
⑧	GROUT FOR ENCASEMENT PIPE	27 CU. YDS.
⑨	PIPE BEDDING (SAND BACKFILL) AS SHOWN BY CITY OF RIVERSIDE STD. DWG. NO. 452, CASE II	158 CU. YDS.

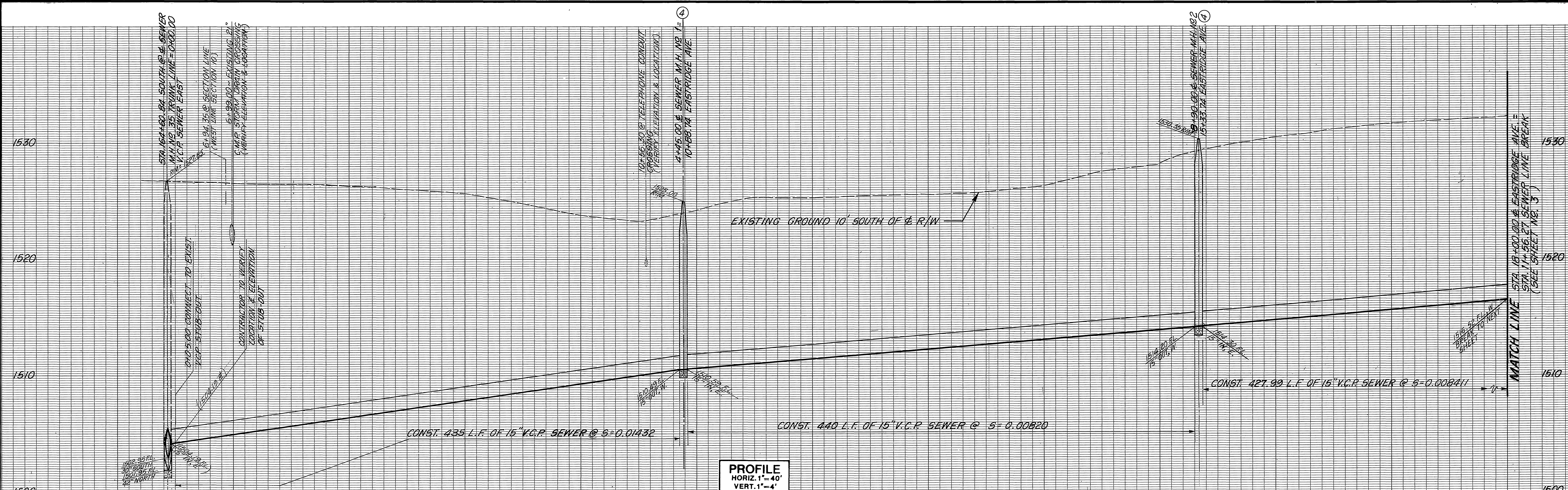
**LEGEND:**

- S --- EXISTING SEWER MAIN
- S — PROPOSED SEWER MAIN
- MANHOLE
- EXISTING MANHOLE

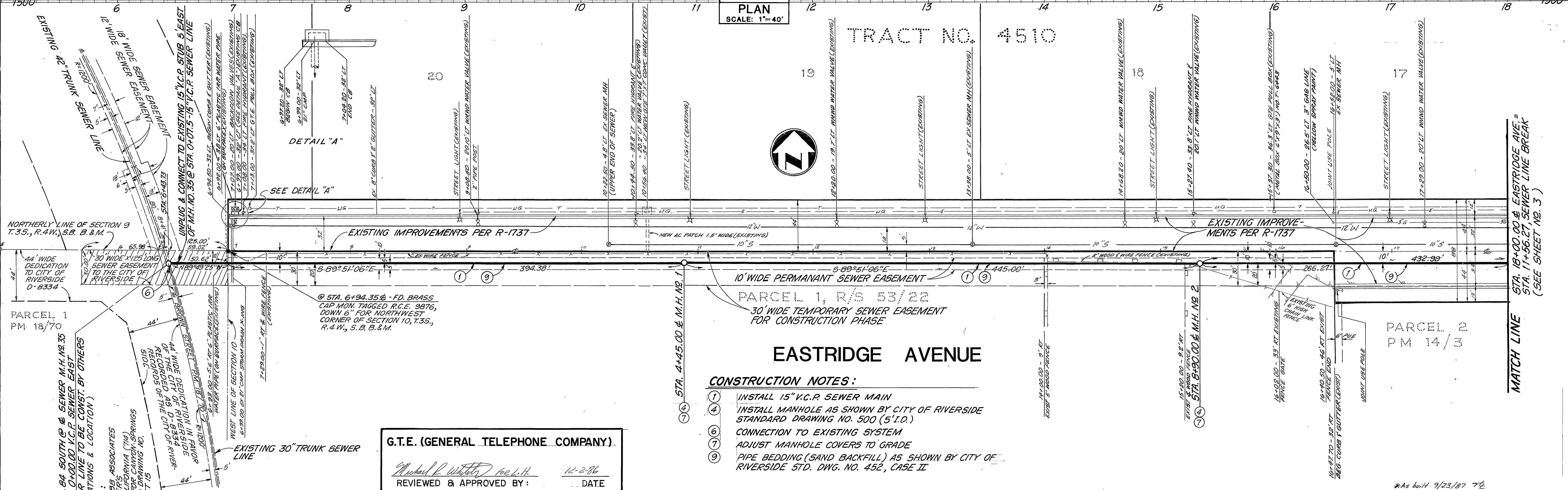
\* NOTE: JACKING & PLACEMENT OF PIPE WITHIN CASING SHALL TAKE PLACE PRIOR TO THE INSTALLATION OF PIPE UPSTREAM & DOWNSTREAM OF THE JACKING OPERATION.

<b>BENCH MARK:</b> RIV. CO. B.M. BRASS DISC MARKED M-64-59 IN THE CENTER OF A 8" x 16" HDHL @ THE S.W. CORNER OF HWY. 60 & DAY ST. 53' WEST OF DAY ST. & 23' S.E. OF N.E. CORNER OF A C.S.D.H. R/W FENCE, ELEVATION = 1612.241	Greiner Engineering of California 9225 Canyon Crest Drive Bldg. 200, Suite 253 Riverside, California 92507 (714) 951-8228 (714) 788-7746 A Greiner Engineering, Inc. Company	CITY OF RIVERSIDE, CALIFORNIA PUBLIC WORKS DEPARTMENT		CANYON SPRINGS ASSESSMENT DISTRICT CONSTRUCTION PHASE II SANITARY SEWER PLANS FOR: OFF-SITE SEWER PARCEL MAP NO. 19617 STAGE I TITLE SHEET	ACCOUNT NO. DRAWING NUMBER <b>S-1426</b> SHEET 1 OF 4
		APPROVED BY: [Signature] PRINCIPAL ENGINEER PARK DEPARTMENT TRAFFIC DIVISION CHIEF PUB. WKS. ENGR.	APPROVED BY: [Signature] DIRECTOR OF PUBLIC WORKS	DATE: Nov. 18, 1986	SCALE: AS SHOWN





**PROFILE**  
 HORIZ. 1" = 40'  
 VERT. 1" = 4'  
 PLAN  
 SCALE: 1" = 40'



- CONSTRUCTION NOTES:**
1. INSTALL 15" V.C.P. SEWER MAIN
  2. INSTALL MANHOLE AS SHOWN BY CITY OF RIVERSIDE STANDARD DRAWING NO. 500 (5' I.D.)
  3. CONNECTION TO EXISTING SYSTEM
  4. ADJUST MANHOLE COVERS TO GRADE
  5. PIPE BEDDING (SAND BACKFILL) AS SHOWN BY CITY OF RIVERSIDE STD. DWG. NO. 452, CASE II

**G.T.E. (GENERAL TELEPHONE COMPANY)**  
 Michael R. Whittier, M.E.H.  
 REVIEWED & APPROVED BY: DATE 12-2-86

**WESTERN MUNICIPAL WATER DISTRICT**  
 [Signature]  
 REVIEWED BY: DATE 10/14/86

**Greiner**  
 An International Professional Services Organization  
 5225 Canyon Crest Drive  
 Bldg. 200 Suite 253  
 Riverside, California 92507  
 714 351-8328  
 Exp. 3/31/88  
 Engineering, Surveying, Planning, Architecture, Construction Management  
 R.C.E. NO. 32534 DATE 1/23/86

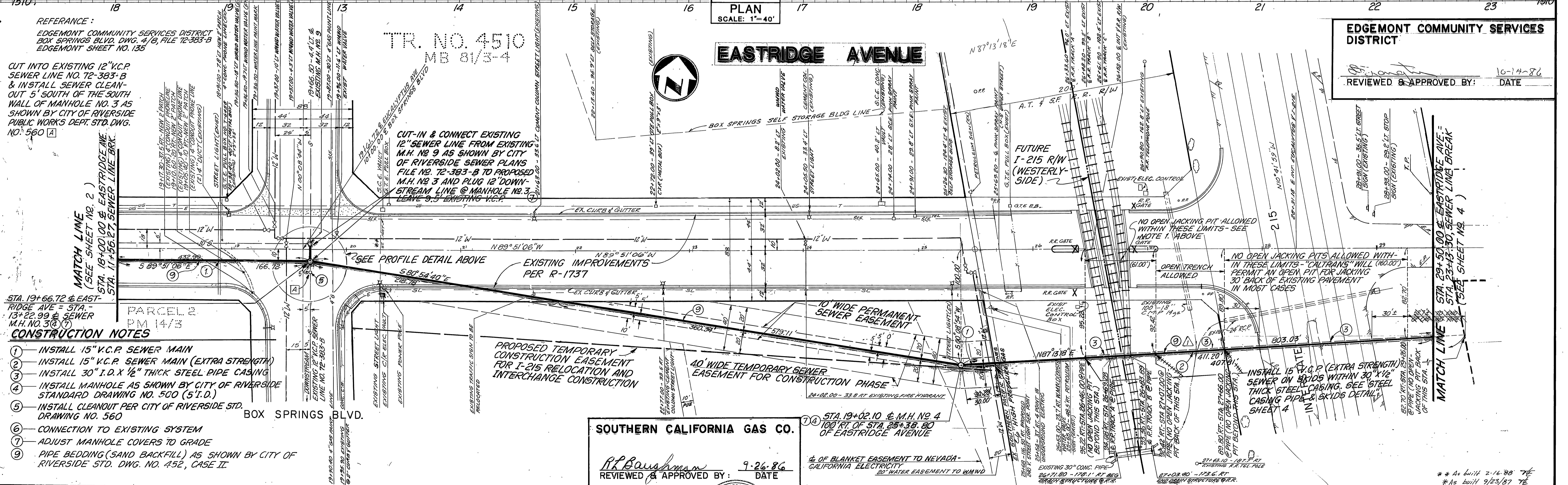
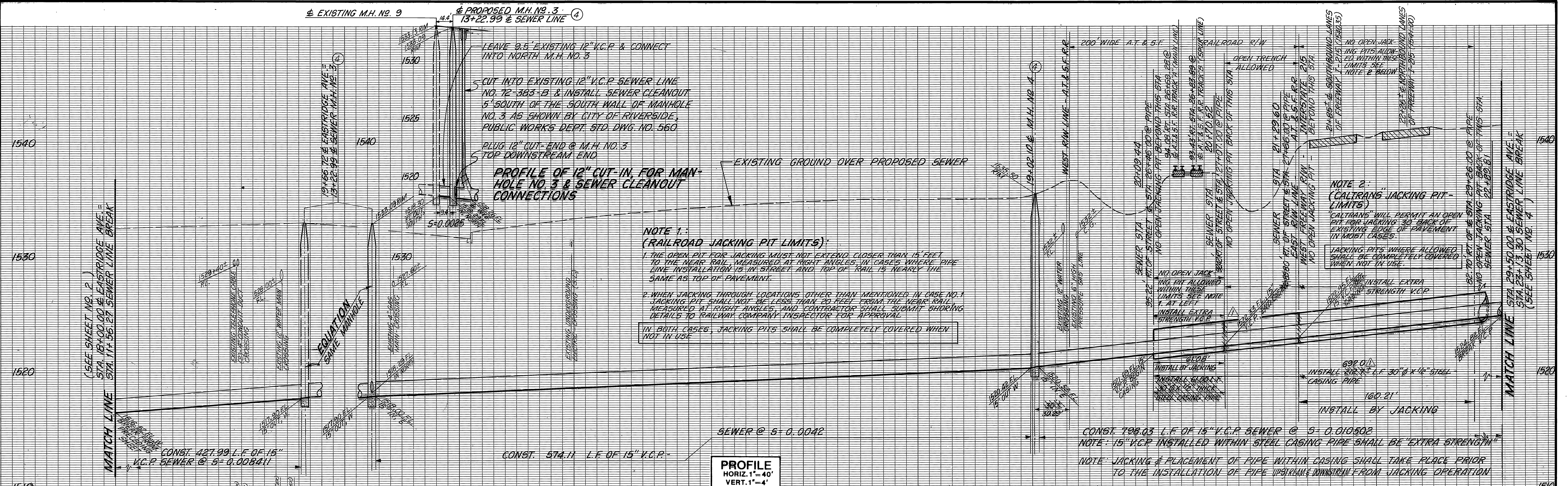
**CITY OF RIVERSIDE, CALIFORNIA**  
**PUBLIC WORKS DEPARTMENT**  
 APPROVED BY: [Signature] DATE: Nov. 18, 1986  
 PRINCIPAL ENGINEER  
 PARK DEPARTMENT  
 TRAFFIC DIVISION  
 CHIEF PUB. WKS. ENGR.

**OFF-SITE SEWER PLAN**  
**EASTRIDGE AVENUE**  
**OFF-SITE SEWER PLAN FOR**  
**PARCEL MAP NO. 19617**  
 SCALE: HORIZ. 1" = 40', VERT. 1" = 4'

**ACCOUNT NO.**  
**DRAWING NUMBER**  
**S-1426**  
**SHEET 2 OF 4**  
 J.N.

**BENCHMARK:** RIV. CO. B.M.  
 BRASS DISC MARKED M-64-69 IN THE CENTER OF A 8' x 16' HDWL @ THE S.W. CORNER OF HWY. 60 & DAY ST. 53' WEST OF DAY ST. & 23' S.E. OF N.E. CORNER OF A C.S.D.H. R/W FENCE. ELEVATION = 1612.241  
 STA. 164+60.84 SOUTH @ SEWER M.H. NO. 35 TRUNK LINE = 0+00.00 V.C.P. SEWER EAST TRUNK SEWER LINE TO BE CONST. BY OTHERS (VERIFY ELEVATIONS & LOCATION)  
 REFERENCE: ALBERT A. WEBB ASSOCIATES CIVIL ENGINEERS 10701 VIA (7TH) SEWER OF THE CITY OF RIVERSIDE TRUNK SEWER - DRAWING NO. S-1424 SHEET 15  
 \*As built 9/23/87 72





REFERENCE:  
EDGEMONT COMMUNITY SERVICES DISTRICT  
BOX SPRINGS BLVD. DWG. 4/16, FILE 12-383-B  
EDGEMONT SHEET NO. 135

CUT INTO EXISTING 12" V.C.P. SEWER LINE NO. 72-383-B & INSTALL SEWER CLEANOUT 5' SOUTH OF THE SOUTH WALL OF MANHOLE NO. 3 AS SHOWN BY CITY OF RIVERSIDE PUBLIC WORKS DEPT. STD. DWG. NO. 560

- CONSTRUCTION NOTES**
- INSTALL 15" V.C.P. SEWER MAIN
  - INSTALL 15" V.C.P. SEWER MAIN (EXTRA STRENGTH)
  - INSTALL 30" I.D. X 1/2" THICK STEEL PIPE CASING
  - INSTALL MANHOLE AS SHOWN BY CITY OF RIVERSIDE STANDARD DRAWING NO. 500 (5' I.D.)
  - INSTALL CLEANOUT PER CITY OF RIVERSIDE STD. DRAWING NO. 560
  - CONNECTION TO EXISTING SYSTEM
  - ADJUST MANHOLE COVERS TO GRADE
  - PIPE BEDDING (SAND BACKFILL) AS SHOWN BY CITY OF RIVERSIDE STD. DWG. NO. 452, CASE II

G.T.E. (GENERAL TELEPHONE COMPANY)  
REVIEWED AND APPROVED BY: *Michael K. White* DATE: 12-29-87  
SOUTHERN CALIFORNIA EDISON  
REVIEWED AND APPROVED BY: *THW* DATE:

BENCHMARK: RIV. CO: B.M.  
BRASS DISC MARKED M-64-69 IN THE CENTER OF A 8' x 16' HDWL @ THE S.W. CORNER OF HWY. 60 & DAY ST. 53' WEST OF DAY ST. & 23' S.E. OF N.E. CORNER OF A.C.S.D.H. R/W FENCE. ELEVATION = 1612.241

WESTERN MUNICIPAL WATER DISTRICT  
REVIEWED AND APPROVED BY: *John W. Hume* DATE: 10/14/86  
CITY OF RIVERSIDE ELECTRICAL DEPT.  
REVIEWED AND APPROVED BY: *Charles Bloom* DATE: 10/17/86

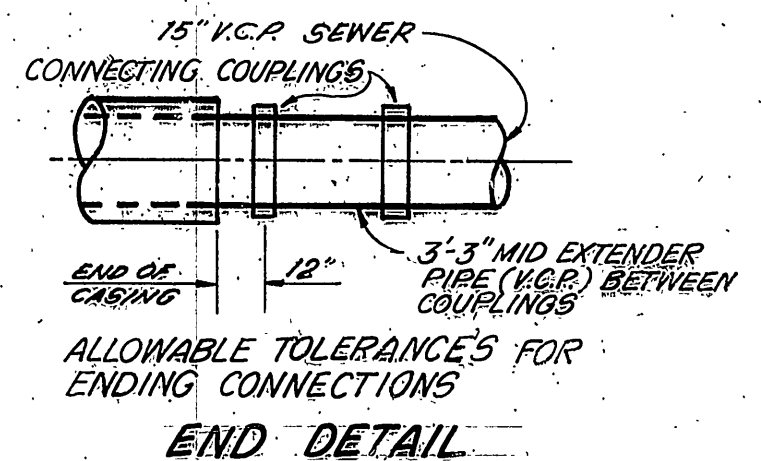
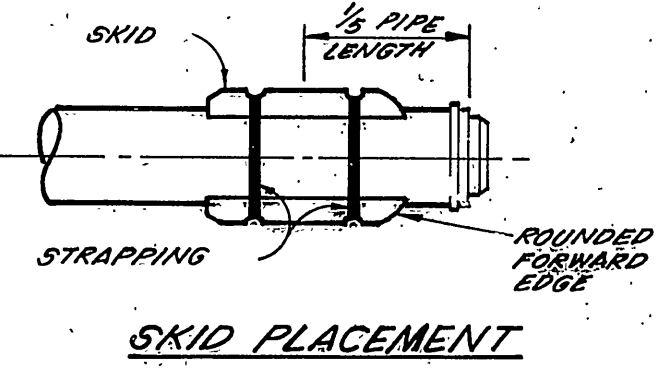
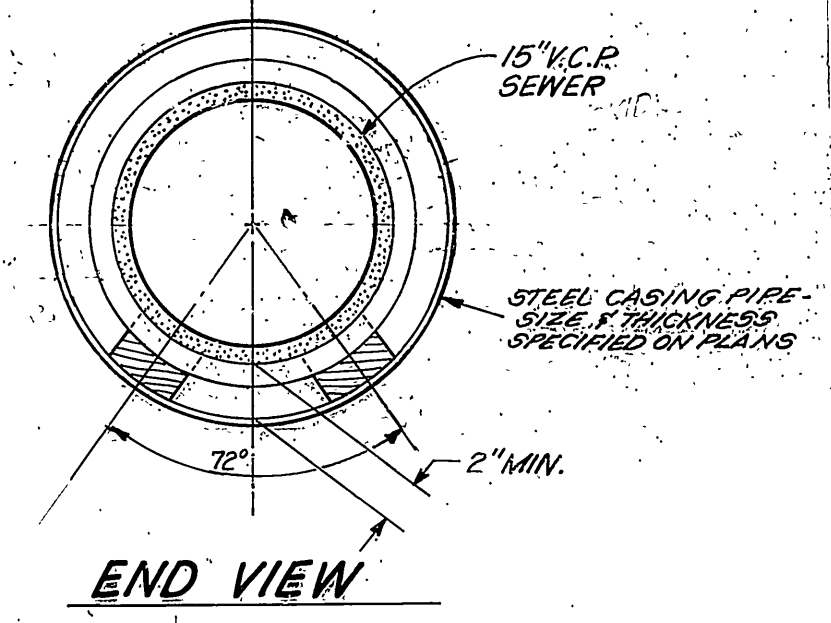
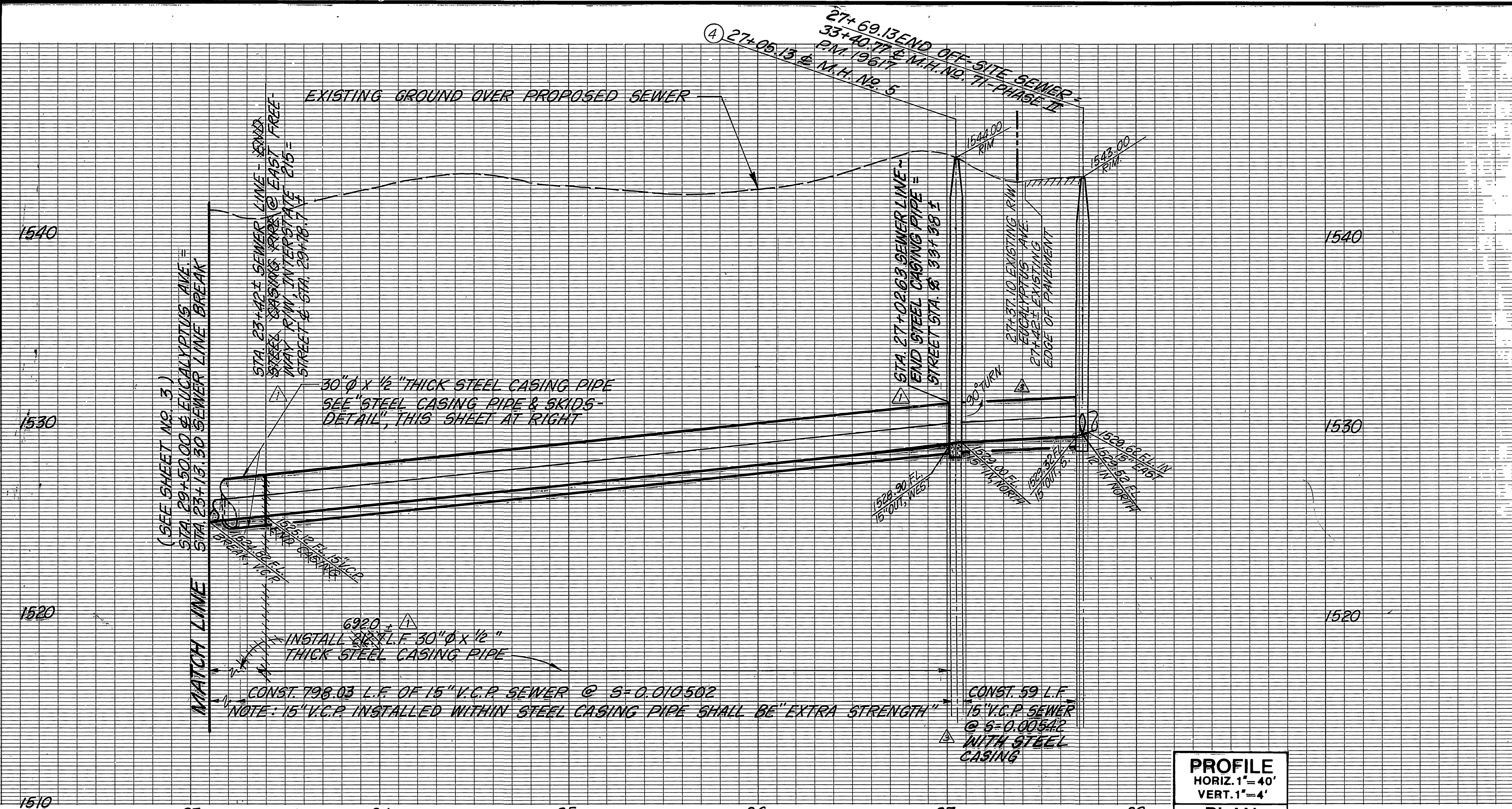
SOUTHERN CALIFORNIA GAS CO.  
REVIEWED AND APPROVED BY: *R.L. Baughman* DATE: 9-26-86

GREINER  
AN INTERNATIONAL PROFESSIONAL SERVICES ORGANIZATION  
PLANS PREPARED UNDER THE DIRECTION OF: *Brian J. Greiner* R.C.E. NO. 30534 DATE: 9/29/86

CITY OF RIVERSIDE, CALIFORNIA  
PUBLIC WORKS DEPARTMENT  
APPROVED BY: *W. W. ...* DATE: 11-16-87  
PRINCIPAL ENGINEER  
TRAFFIC DIVISION  
CHIEF PUB. WKS. ENGR.

OFF-SITE SEWER PLAN  
EASTRIDGE AVENUE  
OFF-SITE SEWER PLAN FOR: PARCEL MAP NO. 19617  
SCALE: HORIZ. 1"=40', VERT. 1"=4'  
ACCOUNT NO. DRAWING NUMBER: S-1426  
SHEET 3 OF 4  
J.N.

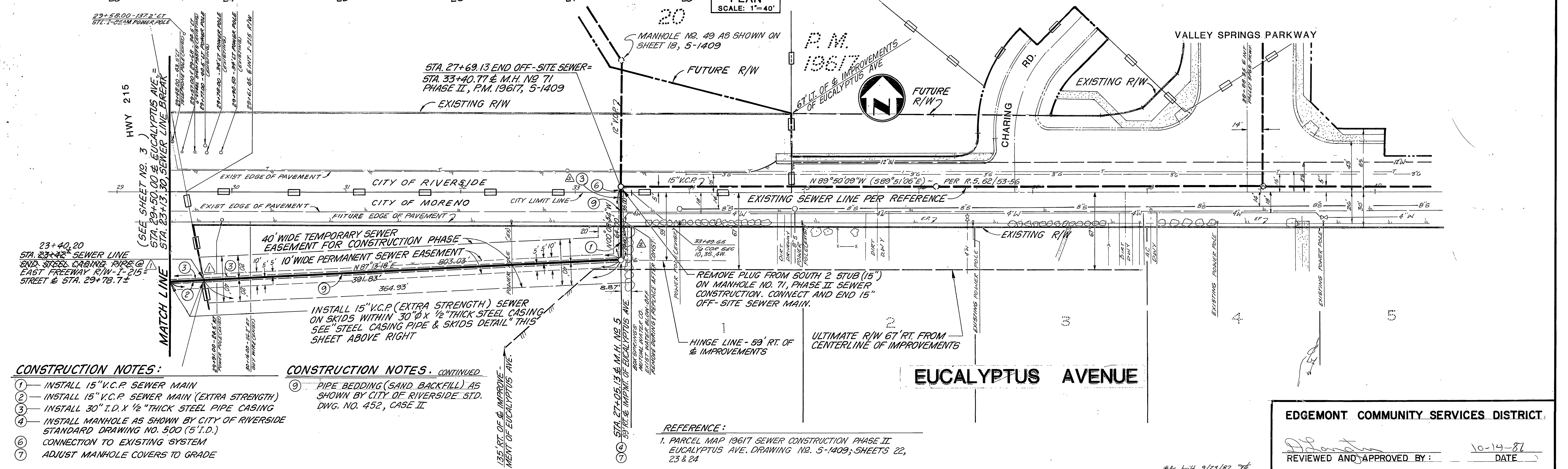




**SKID SPECIFICATIONS**  
 ALL SKIDS SHALL BE OF REDWOOD, 24" TO 30" IN LENGTH, 4" IN WIDTH, AND OF SUFFICIENT HEIGHT TO PROVIDE A MINIMUM 2" CLEARANCE AT COUPLINGS. ALL SKIDS SHALL BE OF EQUAL DIMENSIONS AND POSITIONED UNIFORMLY.

- NOTES:**
- ALL STEEL CASING PIPE FIELD JOINTS SHALL BE WELDED FULL CIRCUMFERENCE.
  - CARRIER PIPE SHALL BE AIR TESTED PRIOR TO SEALING CASING WITH GROUT.
  - UPSTREAM AND DOWNSTREAM ELEVATIONS TO BE VERIFIED PRIOR TO SEALING CASING.
  - ENDS OF CASING TO BE SEALED WITH BRICK & MORTAR. PLACE 1" MIN. PVC PIPE @ INVERT OF CASING (THROUGH BRICK) & SURROUND WITH 2 CU. FT. CRUSHED ROCK.

**"STEEL CASING PIPE AND SKIDS", DETAIL**



- CONSTRUCTION NOTES:**
- INSTALL 15" V.C.P. SEWER MAIN
  - INSTALL 15" V.C.P. SEWER MAIN (EXTRA STRENGTH)
  - INSTALL 30" I.D. X 1/2" THICK STEEL PIPE CASING
  - INSTALL MANHOLE AS SHOWN BY CITY OF RIVERSIDE STANDARD DRAWING NO. 500 (5' I.D.)
  - CONNECTION TO EXISTING SYSTEM
  - ADJUST MANHOLE COVERS TO GRADE

- CONSTRUCTION NOTES. CONTINUED**
- PIPE BEDDING (SAND BACKFILL) AS SHOWN BY CITY OF RIVERSIDE STD. DWG. NO. 452, CASE II

**REFERENCE:**  
 1. PARCEL MAP 19617 SEWER CONSTRUCTION PHASE II EUCALYPTUS AVE. DRAWING NO. 5-1409; SHEETS 22, 23 & 24

**EDGEMONT COMMUNITY SERVICES DISTRICT**

REVIEWED AND APPROVED BY: *[Signature]* DATE: 10-14-87

**BOX SPRINGS WATER DISTRICT**  
 REVIEWED AND APPROVED BY: *[Signature]*  
 DATE: 11-12-86

**BENCHMARK:** RIV. CO: B.M.  
 BRASS DISC MARKED M-64-69 IN THE CENTER OF A 8" x 16' HDWL @ THE S.W. CORNER OF HWY. 60 & DAY ST. 53' WEST OF DAY ST. & 23' S.E. OF N.E. CORNER OF A C.S.D.H. R/W FENCE. ELEVATION = 1612.241

**CITY OF MORENO VALLEY PUBLIC WORKS DEPARTMENT**  
 REVIEWED AND APPROVED BY: \_\_\_\_\_ DATE \_\_\_\_\_

**Greiner**  
 An International Professional Services Organization  
 PLANS PREPARED UNDER THE DIRECTION OF: *[Signature]*  
 R.C.E. NO. 30534 DATE 9/29/86

**REVISIONS**

MARK	DESCRIPTION	DATE
1	INCREASED LENGTH OF STEEL CASING PIPE	9/16/87
2	MODIFIED CONST. EASEMENT	10/2/87
3	INCREASED LENGTH OF STEEL CASING PIPE	1-16-87

DESIGNED BY W.W. DRAWN BY W.W. CHECKED BY J.B.H.

**CITY OF RIVERSIDE, CALIFORNIA PUBLIC WORKS DEPARTMENT**  
 APPROVED BY: *[Signature]* DATE: 10/16/87  
 PRINCIPAL ENGINEER  
 TRAFFIC DIVISION  
 CHIEF PUB WKS ENGR

**OFF-SITE SEWER PLAN**  
**EUCALYPTUS AVENUE**  
 OFF-SITE SEWER PLAN FOR: PARCEL MAP NO. 19617  
 SCALE: HORIZ. 1"=40', VERT. 1"=4'

**ACCOUNT NO.**  
**DRAWING NUMBER**  
**S-1426**  
 SHEET 4 OF 4  
 J.N.