

VICINITY MAP

GENERAL NOTES

- The private engineer signing these plans is responsible for the accuracy and acceptability of the work hereon. In the event of discrepancies arising during construction the private engineer signing the plans shall be responsible for determining an acceptable solution and revising the plans for approval by the city.
- It shall be the responsibility of the contractor to clear the right-of-way in accordance with the provisions of law as it affects each utility including irrigation lines and appurtenances and at no cost to the city.
- Construction shall be in accordance with the City of Riverside department of public works, standard drawings, STD. DWG. NO. 10 AND THE STD. SPECS. FOR PUBLIC WORKS CONSTRUCTION, CURRENT EDITION.
- Location of laterals to be determined in the field at the direction of the owner. Avoid conflict with proposed and/or existing facilities.
- Contractor is to verify existing sewer elevation prior to construction.
- The sewer contractor shall adjust manholes to final grade after paving is completed.
- No finished floor elevation shall be less than 4' above the sewer flow line at the point of connection without having a proper backwater valve installed in the lateral.
- A plug wall shall be installed and will remain in place where the new sewer connects with the existing sewer until the new sewer is accepted by the City of Riverside.
- THE CONTRACTOR SHALL CALL IN A LOCATION REQUEST TO UNDERGROUND SERVICE ALERT (U.S.A.) TEL. 1-800-422-4133, TWO WORKING DAYS BEFORE DIGGING. NO CONSTRUCTION PERMIT WILL BE ISSUED BY THE PUBLIC WORKS DEPARTMENT INVOLVING EXCAVATION FOR UNDERGROUND FACILITIES UNLESS THE APPLICANT HAS BEEN PROVIDED AN INQUIRY IDENTIFICATION NUMBER BY U.S.A.

CONSTRUCTION NOTES

CONSTRUCTION NOTES	QUANTITY
① Construct 8" V.C.P. sewer main.	3882 L.F.
② Construct 4" V.C.P. house laterals.	1962 L.F.
③ Construct M.H. per City of Riverside Standard No. 500.	15 EA.
④ Construct encasement per City of Riverside C.A.D-022 & C.A.D-023	12 L.F.
⑤ Construct Temp. Cleanout	2 EA.
⑥ Construct 4" D.I.P. house laterals	134 L.F.
⑦ Construct 6" D.I.P.	133 L.F.

Reviewed by Western Municipal Water District.

[Signature]
Chief Engineer, RCE 17984 Date 5-87

PREPARED UNDER THE DIRECTION OF:
[Signature]
REGISTERED CIVIL ENGINEER NO. 17550
EXPIRATION DATE 6-30-89 DATE: 7-28-86



J F DAVIDSON ASSOCIATES, INC.
CIVIL ENGINEERS • SURVEYORS • PLANNERS
P.O. BOX 493 11200 SO. MT. VERNON AVE., #D 73-080 EL PASO, #103
RIVERSIDE, CA 92502 COLTON, CA 92324 PALM DESERT, CA 92260
(714) 686-0844 (714) 825-1082 (619) 346-5691



SCALE: 1"=100'
DATE: JUNE 1986
BENCH MARK: P.K. NAIL & CITY TAG TOP OF LARGE ROCK 70' S.L.Y. SIDE ALESSANDRO & 0.60 MI. S.E.L.Y. OF VIA VISTA DR. NEAR P.P. # 775963-H. ELEVATION = 1502.195'

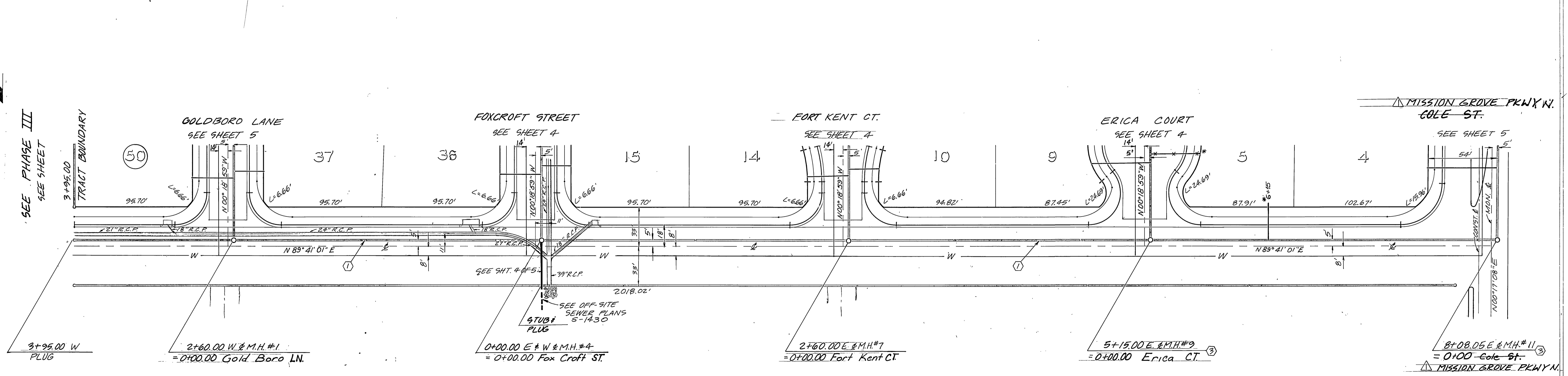
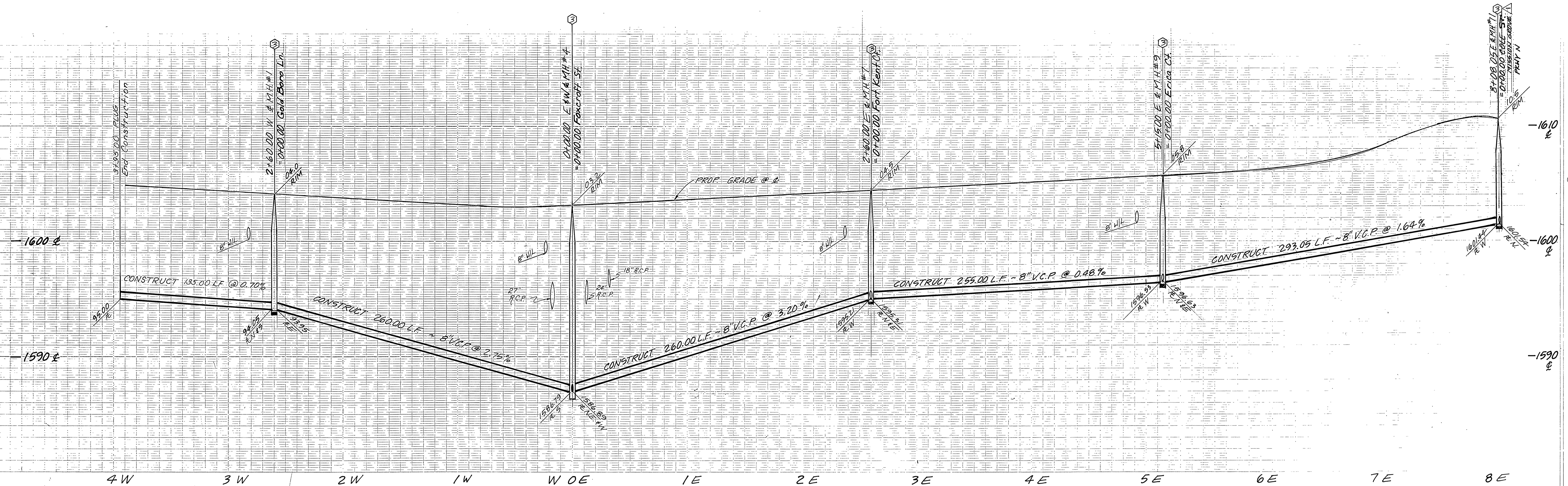
REVISIONS:
DESIGNED BY: RLS
DRAWN BY: CMF
CHECKED BY: GOLDI
DATE: 9/1/87

CITY OF RIVERSIDE, CALIFORNIA
DEPARTMENT OF PUBLIC WORKS
APPROVED BY: *[Signature]* DATE: 3/30/87
PRINCIPAL ENGINEER
PARK DEPARTMENT
TRAFFIC DIVISION
CHIEF P. W. ENGR.
APPROVED BY: *[Signature]* DATE: 3/30/87
DIRECTOR OF PUBLIC WORKS

TRACT NO. 21403-1
SEWER INDEX SHEET
PHASE I

PROJECT NO. S-1436
SHEET 1 OF 5
INDEXED BY CD

HORIZ. SCALE: 1" = VERT. SCALE: 1" = FILE NO. 86-9189 (M) F. B. 86-9157



PORT ROYAL WAY

PRIVATE ENGINEERING NOTE

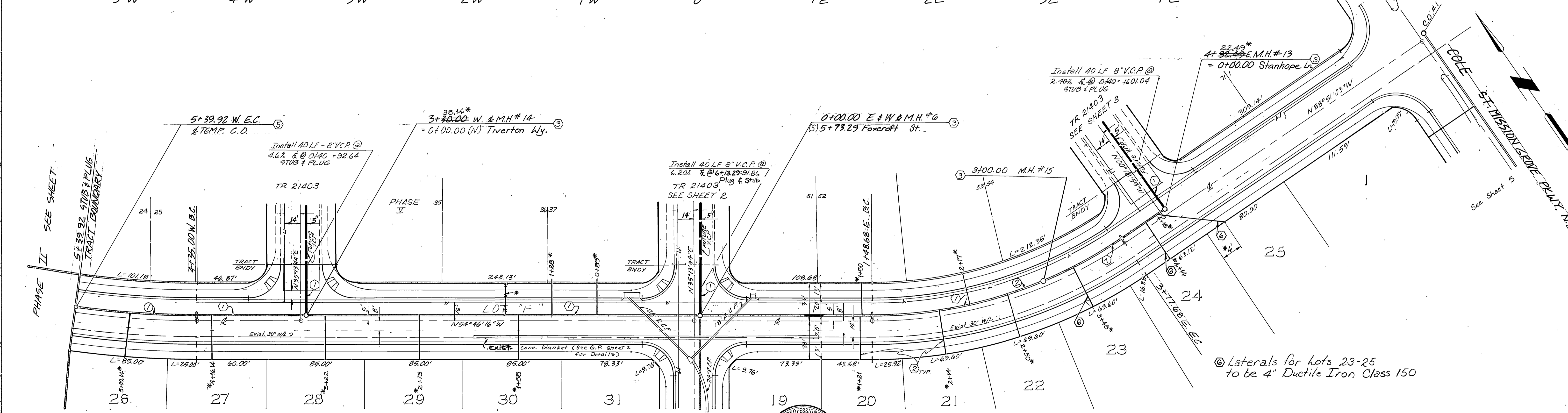
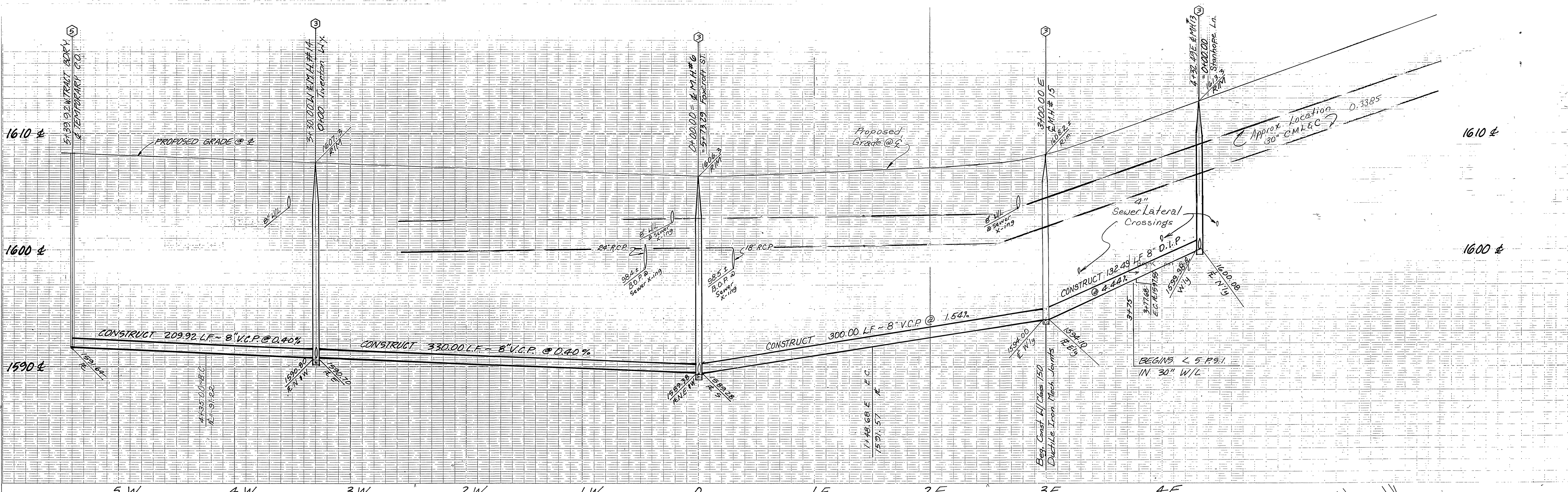
CONSTRUCTION CONTRACTOR AGREES THAT IN ACCORDANCE WITH GENERALLY ACCEPTED CONSTRUCTION PRACTICES, CONSTRUCTION CONTRACTOR WILL BE REQUIRED TO ASSUME SOLE AND COMPLETE RESPONSIBILITY FOR JOB SITE CONDITIONS DURING THE COURSE OF CONSTRUCTION OF THE PROJECT, INCLUDING SAFETY OF ALL PERSONS AND PROPERTY. THAT THIS REQUIREMENT SHALL BE MADE TO APPLY CONTINUOUSLY AND NOT BE LIMITED TO NORMAL WORKING HOURS, AND CONSTRUCTION CONTRACTOR FURTHER AGREES TO DEFEND, INDEMNIFY AND HOLD DESIGN PROFESSIONAL HARMLESS FROM ANY AND ALL LIABILITY, REAL OR ALLEGED, IN CONNECTION WITH THE PERFORMANCE OF WORK ON THIS PROJECT, EXCEPTING LIABILITY ARISING FROM THE SOLE NEGLIGENCE OF DESIGN PROFESSIONAL.

Reviewed by Western Municipal Water District	14/87
Chief Engineer, RCE 17984	Date

APPROVED BY <i>John W. Canty</i> REGISTERED CIVIL ENGINEER NO. 17550 EXPIRATION DATE: 6-30-89 DATE: 7/28/86	
J. F. DAVIDSON ASSOCIATES, INC. CIVIL ENGINEERS SURVEYORS PLANNERS 3426 TENTH STREET RIVERSIDE, CAL. 11200 S. MT. VERNON AVE. COLTON, CAL.	
DATE JUNE 1986	

BENCH MARK CITY OF RIVERSIDE BENCHMARK #FB-E P.K. NAIL & CITY TAG IN TOP OF LARGE ROCK 70' S'LY SIDE ALESSANDRO BLVD. & 0.60 MILE S'ELY OF VIA VISTA DR. NEAR PP. NO. 775963 H. ELEV. 1502.195 *AS BUILT 3/11/86 R.M.	INDEVED BY CD PROJECT NO. S-1436
CITY OF RIVERSIDE, CALIFORNIA DEPARTMENT OF PUBLIC WORKS. APPROVED BY PRINCIPAL ENGINEER PARK DEPARTMENT TRAFFIC DIVISION CHIEF P. W. ENGR. DATE 3.30.87	TRACT NO. 21403-1 SEWER PLAN & PROFILE PORT ROYAL WAY SHEET 2 OF 5 FILE NO. 86-9189(M)

DESIGNED BY: RLS DRAWN BY: CMF CHECKED BY: GOLDI	DATE 3.30.87
HORIZ. SCALE: 1" = 40' VERT. SCALE: 1" = 4'	



SEWER CURVE DATA			
NO.	A	R	T
①	07°39'29"	785.00'	52.54'
②	34°04'41"	985.00'	118.00'

CANNON

RD.



APPROVED BY:
J. F. Davidson
 REGISTERED CIVIL ENGINEER NO. 17550
 EXPIRATION DATE: 6-30-89 DATE: 7/23/88

J. F. DAVIDSON ASSOCIATES, INC.
 CIVIL ENGINEERS SURVEYORS PLANNERS
 3426 TENTH STREET 11200 S. MT. VERNON AVE.
 RIVERSIDE, CAL. COLTON, CAL.

BENCH MARK:
 CITY OF RIVERSIDE BENCHMARK #FB-E P.K. NAIL & CITY TAG
 IN TOP OF LARGE ROCK 70' S'LY SIDE ALESSANDRO BLVD. @
 0.60 MILE S'ELY OF VIA VISTA DR. NEAR PP NO. 77563 H.
 ELEV. = 1502.195

CITY OF RIVERSIDE, CALIFORNIA
DEPARTMENT OF PUBLIC WORKS

TRACT NO. 21403-1
SEWER PLAN & PROFILE
CANNON RD.

PROJECT NO.
S-1436

Reviewed by Western Municipal
 Water District
[Signature]
 Chief Engineer, RCE 17984 Date: 1-6-87

CITY OF RIVERSIDE / WATER SYSTEM
[Signature]
 Approved By: Date: 3-16-87

DATE JUNE 1986

DESIGNED BY: RLS
 DRAWN BY: CMF
 CHECKED BY: [Signature]

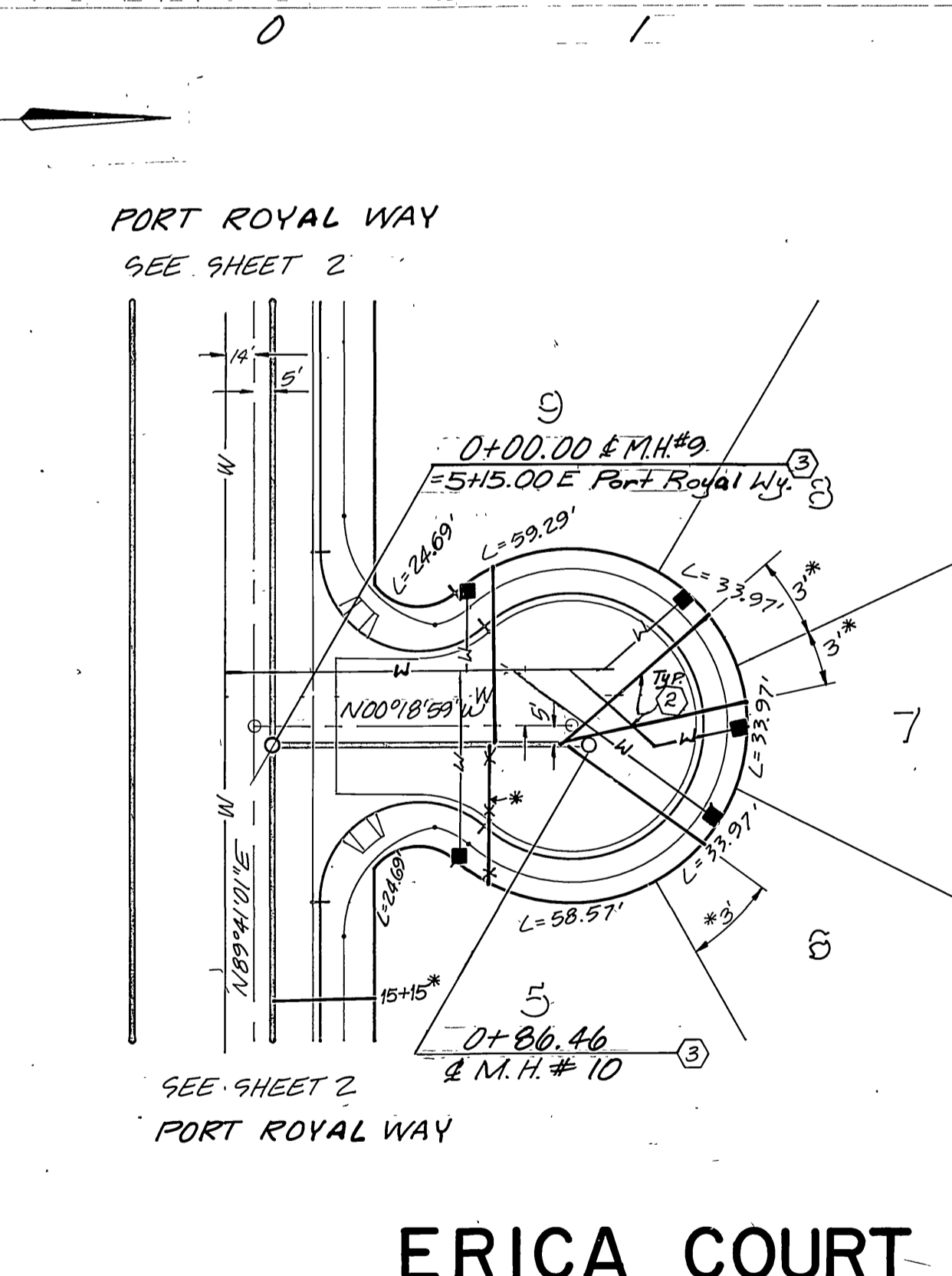
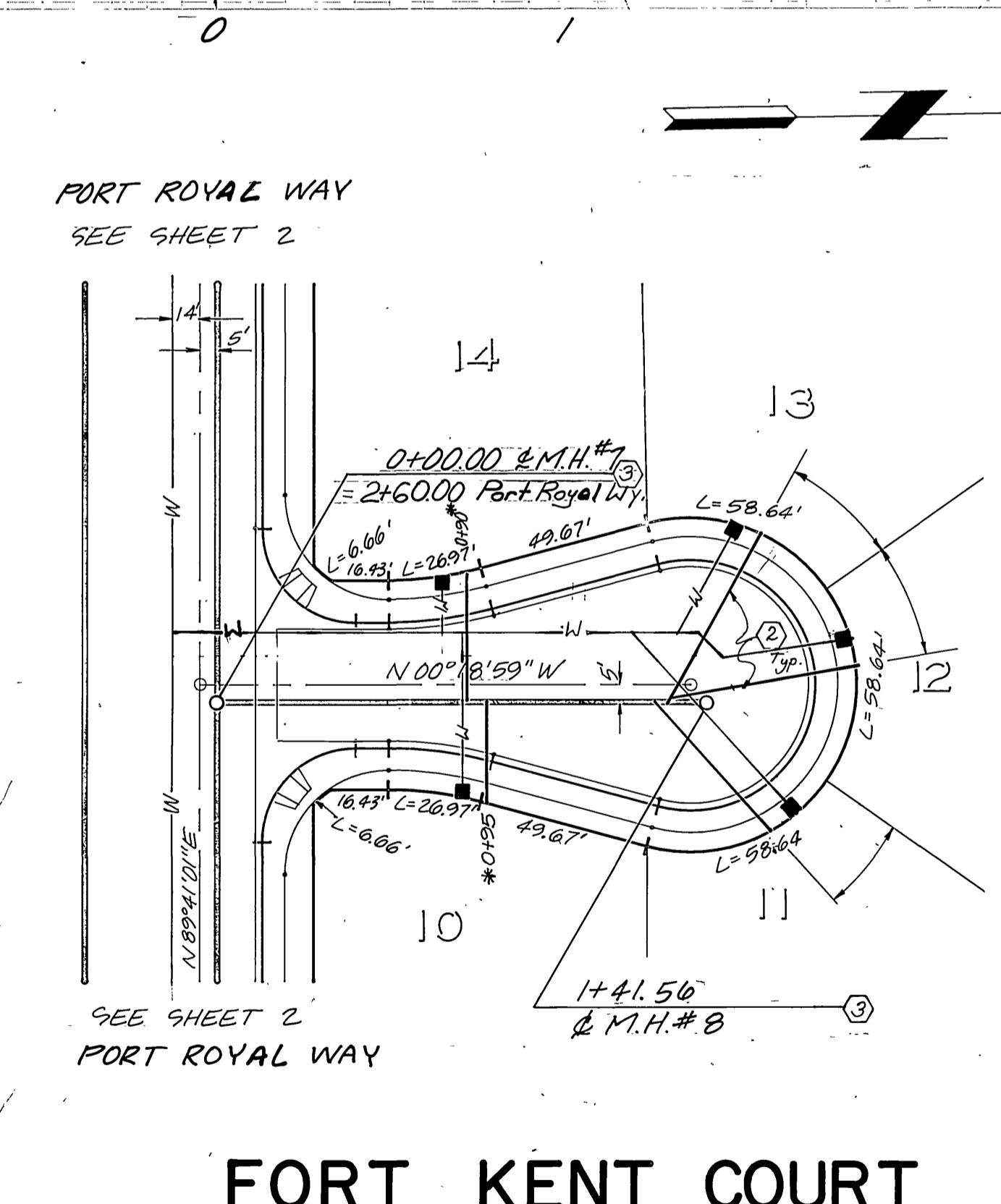
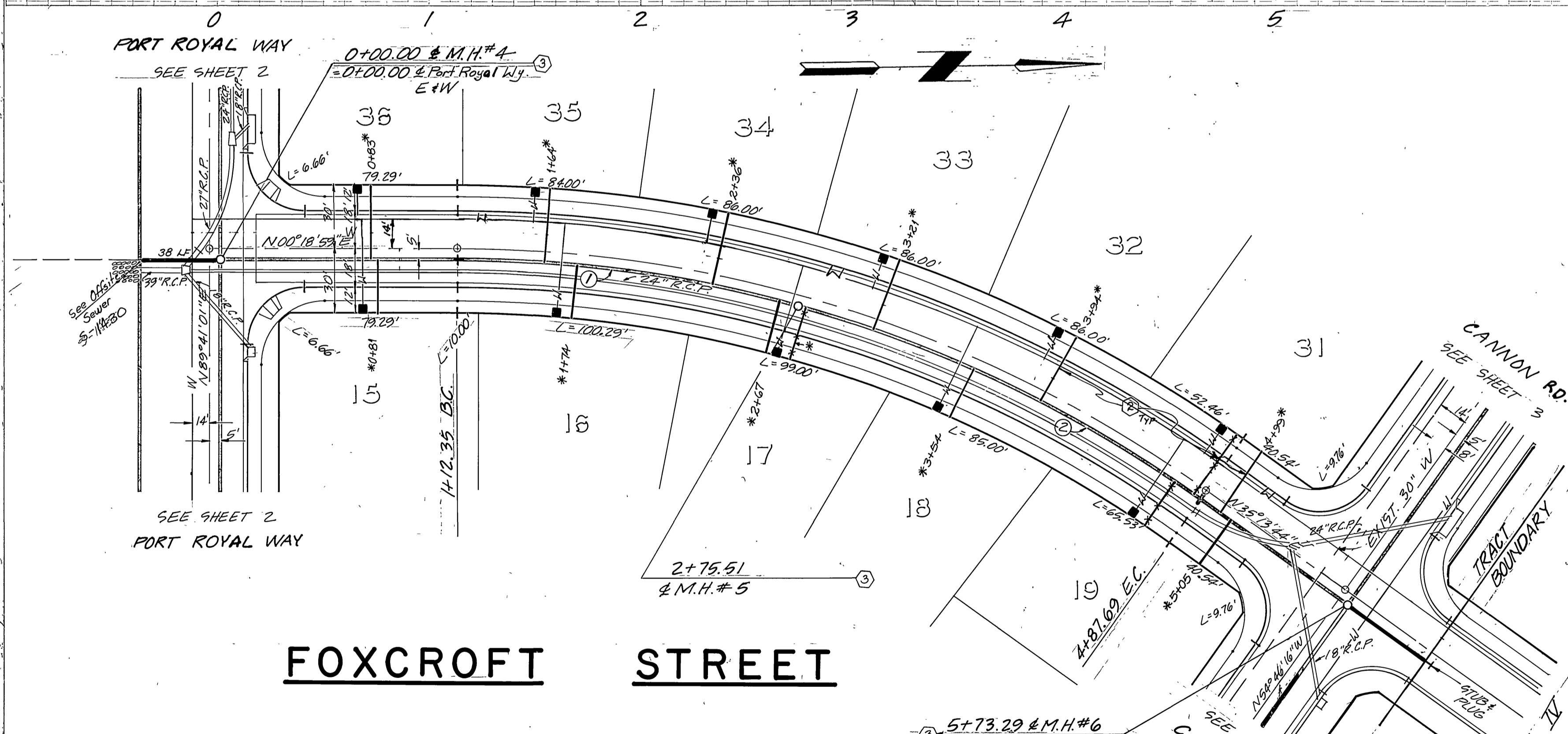
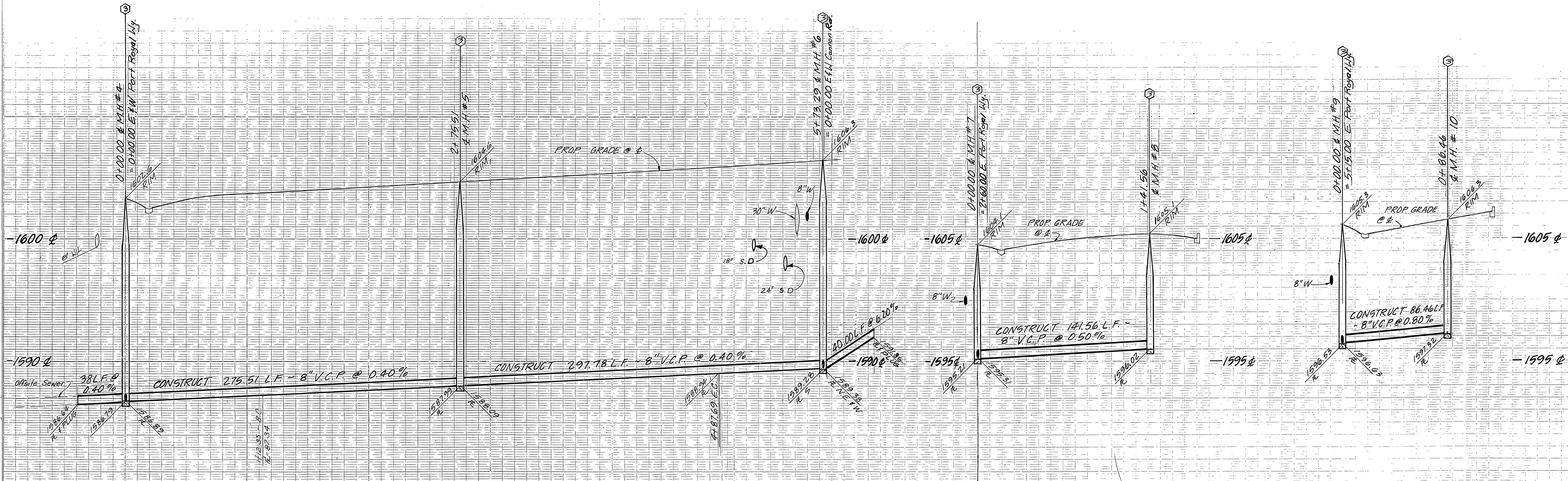
APPROVED BY:
[Signature]
 DIRECTOR OF PUBLIC WORKS
 DATE: 3-30-87

HORIZ. SCALE: 1" = 40'
 VERT. SCALE: 1" = 4'

SHEET 3 OF 5
 FILE NO. 86-9189 (M)

PRIVATE ENGINEERING NOTE

CONSTRUCTION CONTRACTOR AGREES THAT IN ACCORDANCE WITH GENERALLY ACCEPTED CONSTRUCTION PRACTICES, CONSTRUCTION CONTRACTOR WILL BE REQUIRED TO ASSUME SOLE AND COMPLETE RESPONSIBILITY FOR JOB SITE CONDITIONS DURING THE COURSE OF CONSTRUCTION OF THE PROJECT, INCLUDING SAFETY OF ALL PERSONS AND PROPERTY. THAT THIS REQUIREMENT SHALL BE MADE TO APPLY CONTINUOUSLY AND NOT BE LIMITED TO NORMAL WORKING HOURS, AND CONSTRUCTION CONTRACTOR FURTHER AGREES TO DEFEND, INDEMNIFY AND HOLD DESIGN PROFESSIONAL HARMLESS FROM ANY AND ALL LIABILITY, REAL OR ALLEGED, IN CONNECTION WITH THE PERFORMANCE OF WORK ON THIS PROJECT, EXCEPTING LIABILITY ARISING FROM THE SOLE NEGLIGENCE OF DESIGN PROFESSIONAL.



FOXCROFT STREET

FORT KENT COURT

ERICA COURT

PRIVATE ENGINEERING NOTE

CONSTRUCTION CONTRACTOR AGREES THAT IN ACCORDANCE WITH GENERALLY ACCEPTED CONSTRUCTION PRACTICES, CONSTRUCTION CONTRACTOR WILL BE REQUIRED TO ASSUME SOLE AND COMPLETE RESPONSIBILITY FOR JOB SITE CONDITIONS DURING THE COURSE OF CONSTRUCTION OF THE PROJECT, INCLUDING SAFETY OF ALL PERSONS AND PROPERTY, THAT THIS REQUIREMENT SHALL BE MADE TO APPLY CONTINUOUSLY AND NOT BE LIMITED TO NORMAL WORKING HOURS, AND CONSTRUCTION CONTRACTOR FURTHER AGREES TO DEFEND, INDEMNIFY AND HOLD DESIGN PROFESSIONAL HARMLESS FROM ANY AND ALL LIABILITY, REAL OR ALLEGED, IN CONNECTION WITH THE PERFORMANCE OF WORK ON THIS PROJECT, EXCEPTING LIABILITY ARISING FROM THE SOLE NEGLIGENCE OF DESIGN PROFESSIONAL.

SEWER CURVE DATA				
NO	Δ	R	L	T
①	15°27'04"	605.00'	163.15'	82.07'
②	20°05'39"	605.00'	212.18'	107.19'

APPROVED BY: *John W. Canny*
 REGISTERED CIVIL ENGINEER NO. 17550
 EXPIRATION DATE: 6-30-89 DATE: 7/29/86

J. F. DAVIDSON ASSOCIATES, INC.
 CIVIL ENGINEERS SURVEYORS PLANNERS
 3426 TENTH STREET 11200 S. MT. VERNON AVE.
 RIVERSIDE, CAL. COLTON, CAL.

BENCH MARK:
 CITY OF RIVERSIDE BENCHMARK #F8-E P.K. NAIL & CITY TAG
 IN TOP OF LARGE ROCK 70' S'LY SIDE ALESSANDRO BLVD. &
 0.60 MILE S'ELY OF VIA VISTA DR. NEAR PP. NO. 775963 H.
 ELEV. = 1502.195' *AS BUILT 9/11/82 RJM

CITY OF RIVERSIDE, CALIFORNIA
DEPARTMENT OF PUBLIC WORKS

APPROVED BY: *William D. Gordon*
 DIRECTOR OF PUBLIC WORKS
 DATE: 3.30.87

TRACT NO. 21403-1

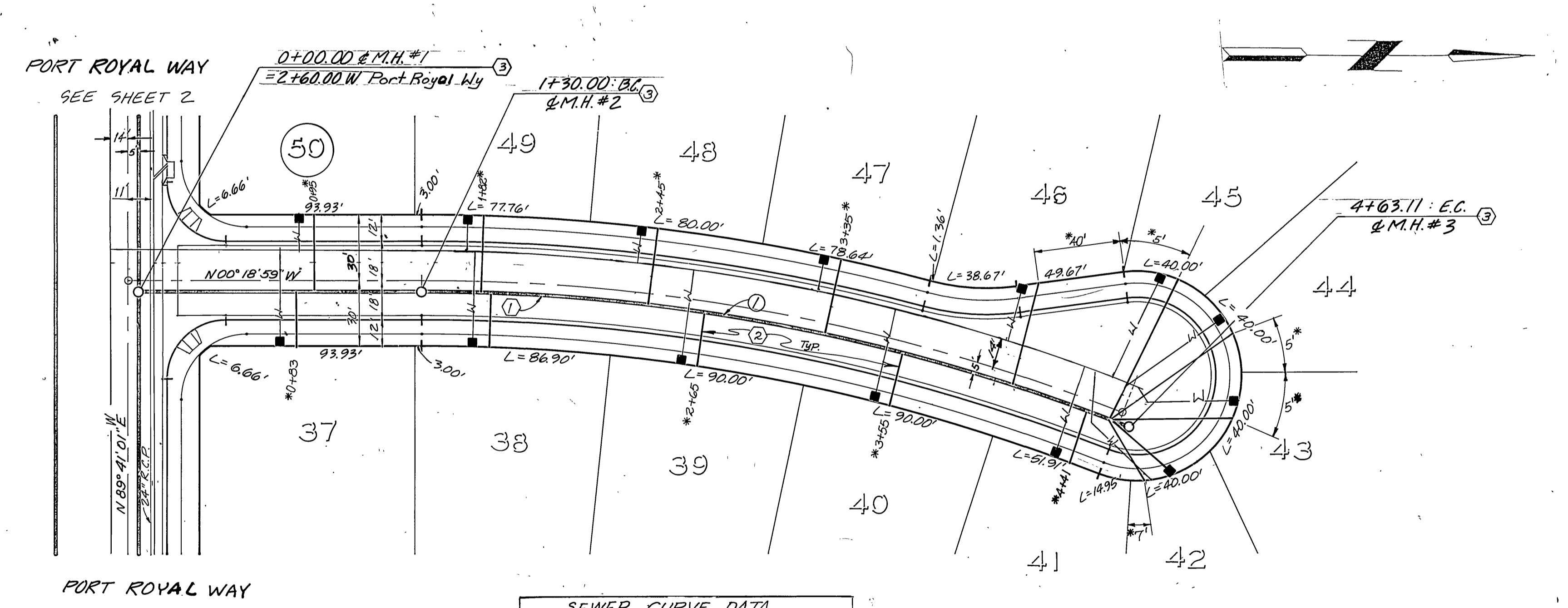
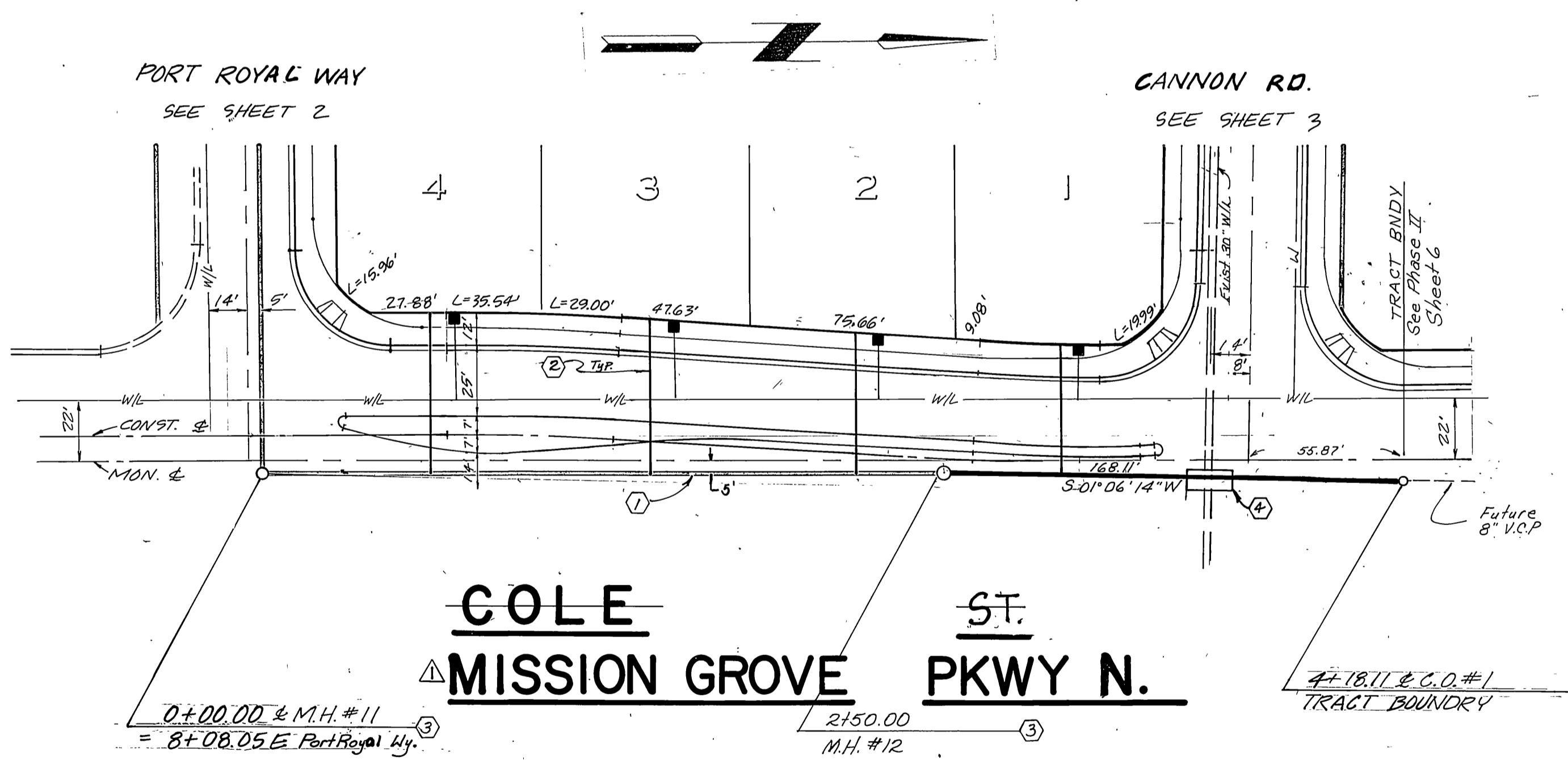
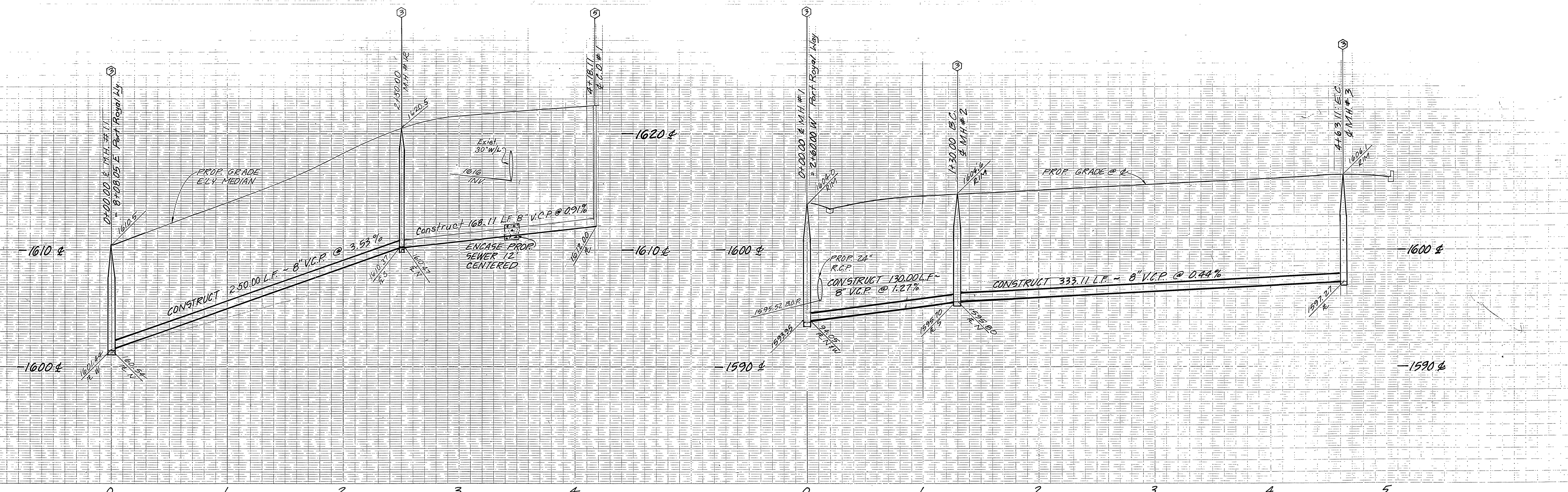
SEWER PLAN & PROFILE
FOXCROFT ST. - FT. KENT CT.
ERICA COURT

HORIZ. SCALE: 1" = 40' VERT. SCALE: 1" = 4'

INDEXED BY CD PROJECT NO. **S-1436**

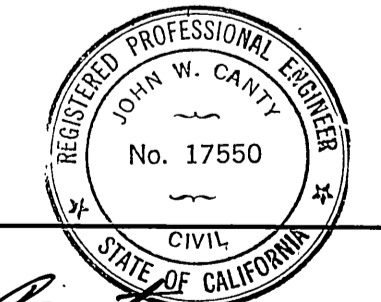
SHEET **4** OF **5**

FILE NO. 86-9189 (M)



PRIVATE ENGINEERING NOTE

CONSTRUCTION CONTRACTOR AGREES THAT IN ACCORDANCE WITH GENERALLY ACCEPTED CONSTRUCTION PRACTICES, CONSTRUCTION CONTRACTOR WILL BE REQUIRED TO ASSUME SOLE AND COMPLETE RESPONSIBILITY FOR JOB SITE CONDITIONS DURING THE COURSE OF CONSTRUCTION OF THE PROJECT, INCLUDING SAFETY OF ALL PERSONS AND PROPERTY. THAT THIS REQUIREMENT SHALL BE MADE TO APPLY CONTINUOUSLY AND NOT BE LIMITED TO NORMAL WORKING HOURS, AND CONSTRUCTION CONTRACTOR FURTHER AGREES TO DEFEND, INDEMNIFY AND HOLD DESIGN PROFESSIONAL HARMLESS FROM ANY AND ALL LIABILITY, REAL OR ALLEGED, IN CONNECTION WITH THE PERFORMANCE OF WORK ON THIS PROJECT, EXCEPTING LIABILITY ARISING FROM THE SOLE NEGLIGENCE OF DESIGN PROFESSIONAL.



APPROVED BY:
John W. Conroy
 REGISTERED CIVIL ENGINEER NO. 17550
 EXPIRATION DATE: 6-30-89 DATE: 7/25/86

J. F. DAVIDSON ASSOCIATES, INC.
 CIVIL ENGINEERS SURVEYORS PLANNERS
 3426 TENTH STREET 11200 S. MT. VERNON AVE.
 RIVERSIDE, CAL. COLTON, CAL.

BENCH MARK
 CITY OF RIVERSIDE BENCHMARK #FB-E, P.K. NAIL & CITY TAG
 IN TOP OF LARGE ROCK 70' S'LY SIDE ALESSANDRO BLVD. &
 0.60 MILE S'ELY OF VIA VISTA DR. NEAR P.P. NO. 775963 H.
 ELEV. = 1502.195'

CITY OF RIVERSIDE, CALIFORNIA
 DEPARTMENT OF PUBLIC WORKS

APPROVED BY: *William D. Davidson*
 PRINCIPAL ENGINEER
 PARK DEPARTMENT
 TRAFFIC DIVISION
 CHIEF P. W. ENGR.

TRACT NO. 21403-1

SEWER PLAN & PROFILE
 MISSION COLE ST. GROVE PKWY. N.
 GOLDBORO LANE

INDEXED BY: **OD.**
 PROJECT NO. **S-1436**

SHEET **5** OF **5**

Reviewed by Western Municipal Water District
William D. Davidson
 Chief Engineer, RCE 17984 Date: 1.6.87

CITY OF RIVERSIDE / WATER SYSTEM
David V. Garcia
 Approved By: 3/16/87

DATE JUNE 1986

DESIGNED BY RLS DRAWN BY CMF CHECKED BY GOLD

HORIZ. SCALE: 1" = 40' VERT. SCALE: 1" = 4'