

GENERAL NOTES

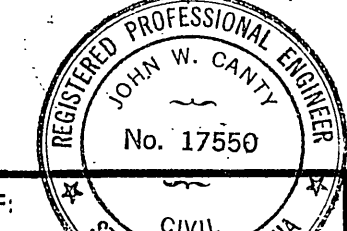
- The private engineer signing these plans is responsible for the accuracy and acceptability of the work hereon. In the event of discrepancies arising during construction the private engineer signing the plans shall be responsible for determining an acceptable solution and revising the plans for approval by the city.
- It shall be the responsibility of the contractor to clear the right-of-way in accordance with the provisions of law as it affects each utility including irrigation lines and appurtenances and at no cost to the city.
- Construction shall be in accordance with the City of Riverside department of public works Standard Drawing, Standard Drawing #10 & The Standard Specifications For Public Works Const. Current Edition.
- Location of laterals to be determined in the field at the direction of the owner. Avoid conflict with proposed and/or existing facilities.
- Contractor is to verify existing sewer elevation prior to construction.
- The sewer contractor shall adjust manholes to final grade after paving is completed.
- No finished floor elevation shall be less than 4' above the sewer flow line at the point of connection without having a proper backwater valve installed in the lateral.
- A plug wall shall be installed and will remain in place where the new sewer connects with the existing sewer until the new sewer is accepted by the City of Riverside.
- The contractor shall call in a location request to Underground Service Alert (USA), Phone No: 1-800-422-4133, two working days before digging. No construction permit will be issued by the Public Works Department involving excavation for underground facilities unless the applicant has been provided an inquiry identification number by U.S.A.

NOTE: Existing Laterals serve Lots 31, 52 & 53 via Phase I construction. (S-1434) Lots 1 through 24 are served via Phase II construction. (S-1439) Remaining Lots in this phase are served by construction of these (Phase I) plans.

CONSTRUCTION NOTES	QUANTITY	UNIT
① Construct 8" V.C.P. sewer main.	1382.26	L.F.
② Construct 4" V.C.P. house laterals.	1530	L.F.
③ Construct M. H. per City of Riverside Standard No. 500.	5	EA.

PHASE I

INDEX MAP
Scale 1" = 100'



PREPARED UNDER THE DIRECTION OF:
John W. Gandy
REGISTERED CIVIL ENGINEER NO. 17550
EXPIRATION DATE 6-30-89 DATE: 9/10/88
APPROVED BY:

J F DAVIDSON ASSOCIATES, INC.
CIVIL ENGINEERS • SURVEYORS • PLANNERS
P.O. BOX 493 11200 SO. MT. VERNON AVE., #D 73-080 EL PASO, #103
RIVERSIDE, CA 92502 COLTON, CA 92324 PALM DESERT, CA 92260
(714) 686-0844 (714) 825-1082 (619) 346-5691
SCALE: 1" = 100'
DATE: SEPT. 1986
BENCH MARK: P.K. NAIL & CITY TAG TOP OF LARGE ROCK 70' S.L.Y. OF ALESSANDRO & 0.60 MI. S.E.L.Y. OF VIA VISTA DR. NEAR P.P. # 775963 - H. ELEVATION = 1502.195'



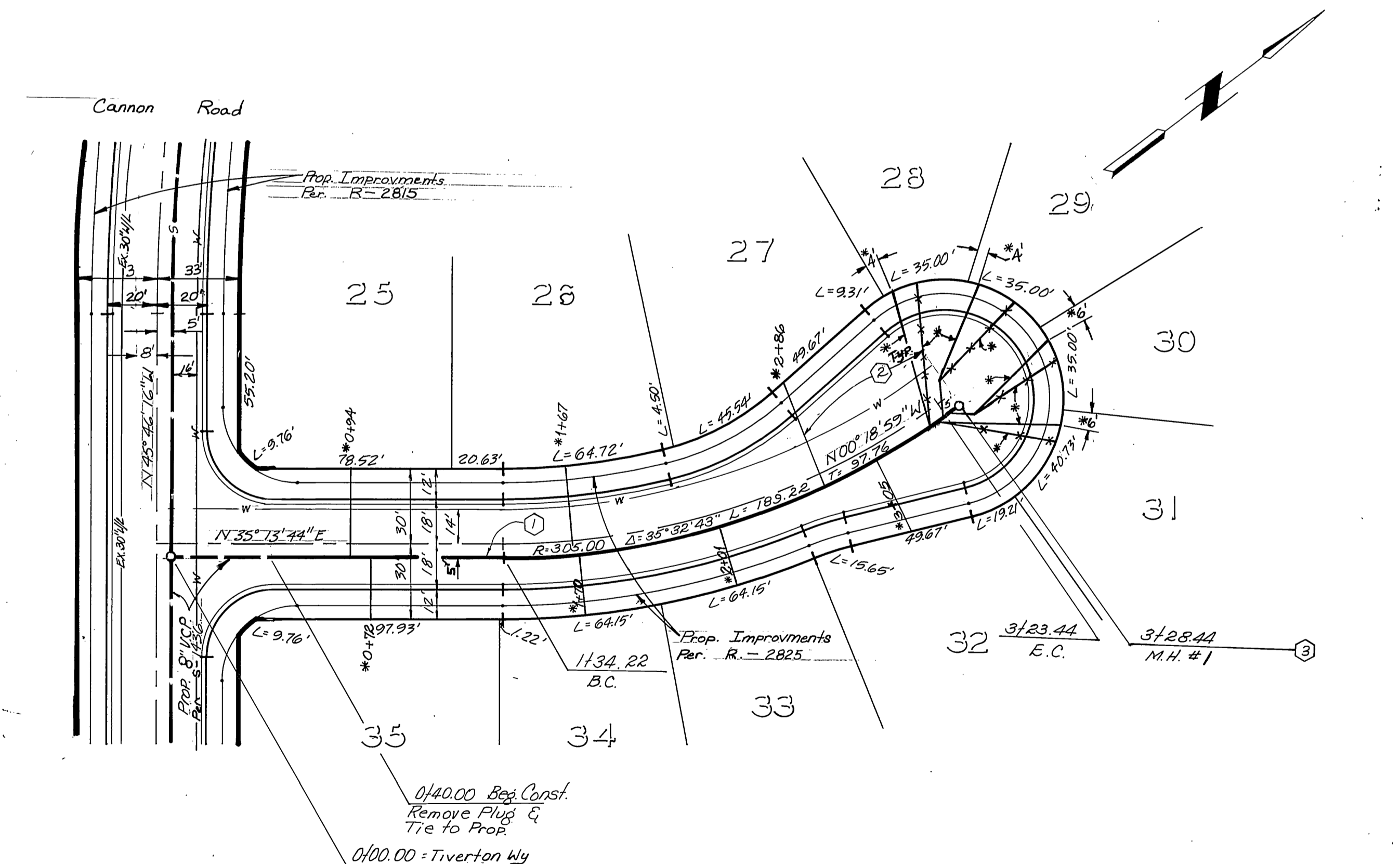
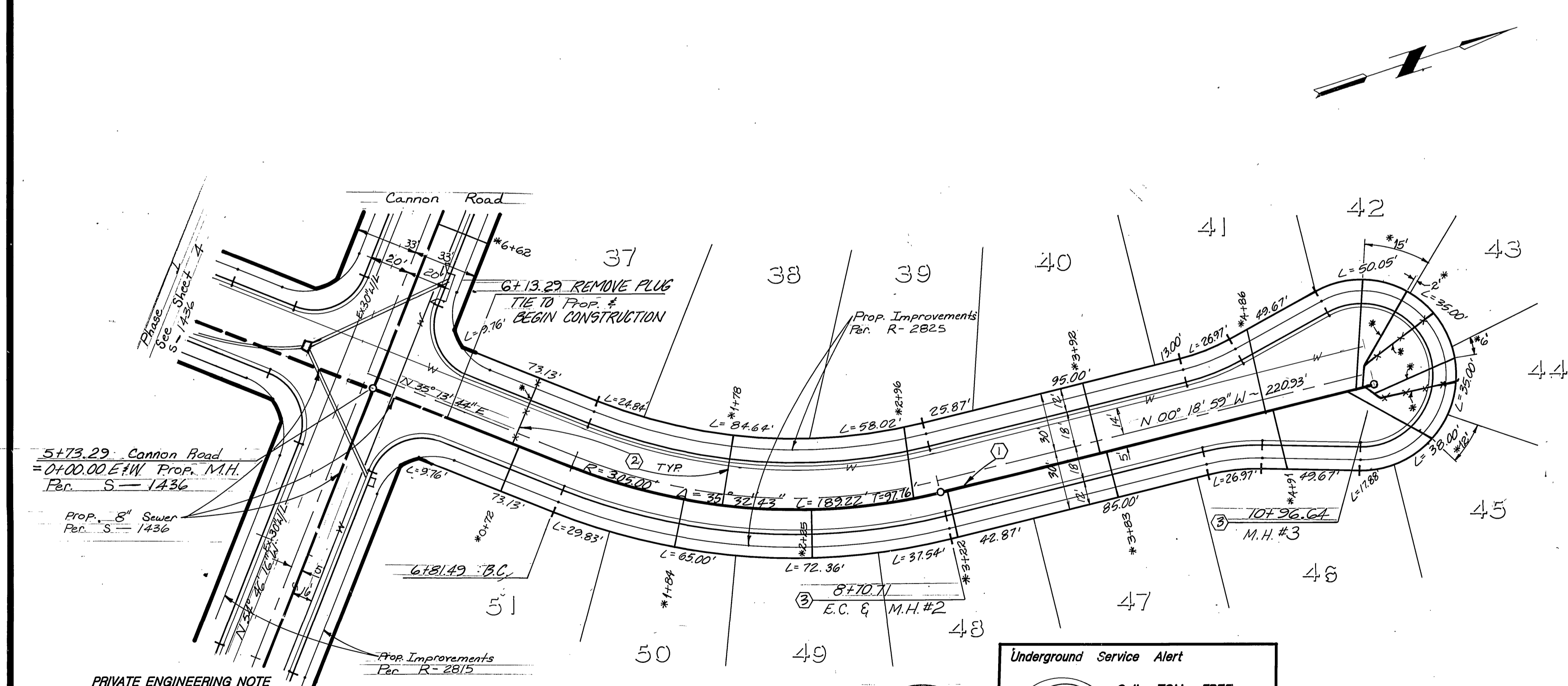
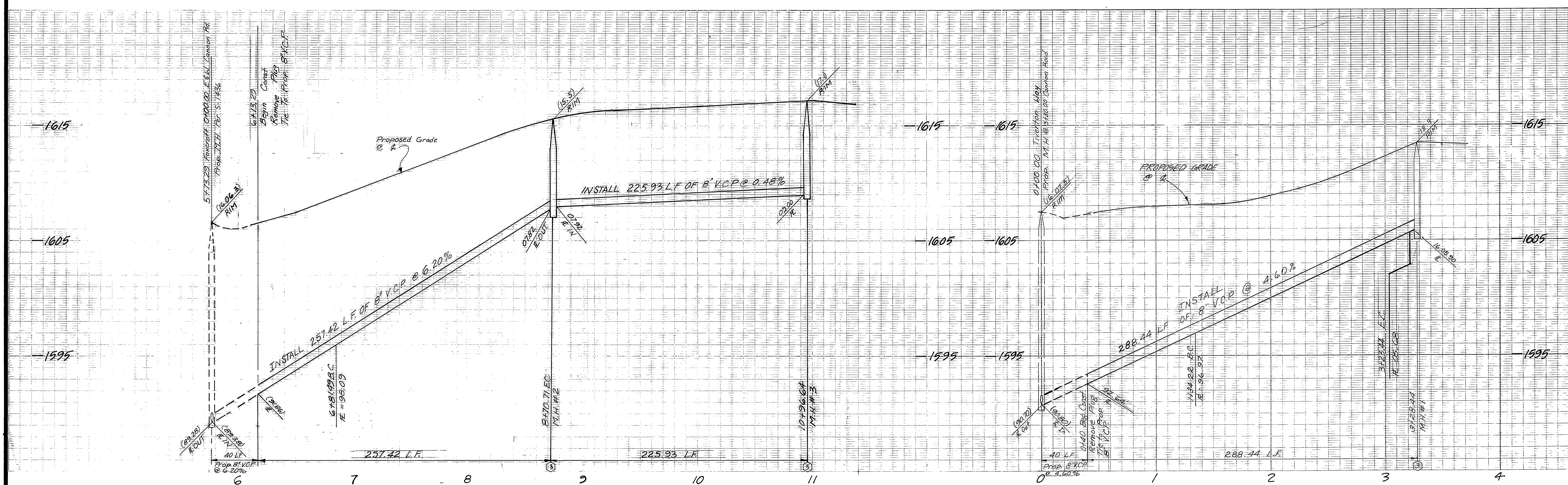
DESIGNED BY: RLS
DRAWN BY: C.M.F.
CHECKED BY: GOLDI

CITY OF RIVERSIDE, CALIFORNIA
DEPARTMENT OF PUBLIC WORKS
APPROVED BY: [Signature]
PRINCIPAL ENGINEER
PARK DEPARTMENT
TRAFFIC DIVISION
CHIEF P. W. ENGR.
DATE: 4-8-87

TRACT NO. 21403
SEWER INDEX SHEET

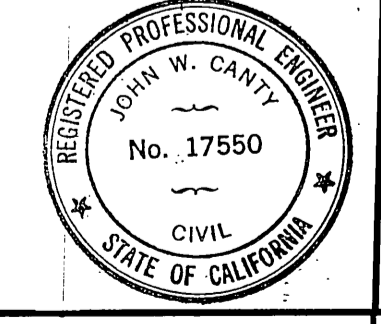
PROJECT NO. S-1441
SHEET 1 OF 3
INDEX / CD
FILE NO. 86-9189 (M)

Reviewed by Western Municipal Water District for construction
[Signature]
Chief Engineer, RCE 17984
Date: 1/6/81



CONSTRUCTION CONTRACTOR AGREES THAT IN ACCORDANCE WITH GENERALLY ACCEPTED CONSTRUCTION PRACTICES, CONSTRUCTION CONTRACTOR WILL BE REQUIRED TO ASSUME SOLE AND COMPLETE RESPONSIBILITY FOR JOB SITE CONDITIONS DURING THE COURSE OF CONSTRUCTION OF THE PROJECT, INCLUDING SAFETY OF ALL PERSONS AND PROPERTY. THAT THIS REQUIREMENT SHALL BE MADE TO APPLY CONTINUOUSLY AND NOT BE LIMITED TO NORMAL WORKING HOURS, AND CONSTRUCTION CONTRACTOR FURTHER AGREES TO DEFEND, INDEMNIFY AND HOLD DESIGN PROFESSIONAL HARMLESS FROM ANY AND ALL LIABILITY, REAL OR ALLEGED, IN CONNECTION WITH THE PERFORMANCE OF WORK ON THIS PROJECT, EXCEPTING LIABILITY ARISING FROM THE SOLE NEGLIGENCE OF DESIGN PROFESSIONAL.

FOXCROFT STREET



Underground Service Alert
 Call: TOLL FREE
1-800-422-4133
 TWO WORKING DAYS BEFORE YOU DIG

Reviewed by Western Municipal Water District for construction
 Chief Engineer, RCE 17984
 Date: 1/6/87

CITY OF RIVERSIDE / WATER SYSTEM
 Approved By: [Signature]
 Date: 3/16/87

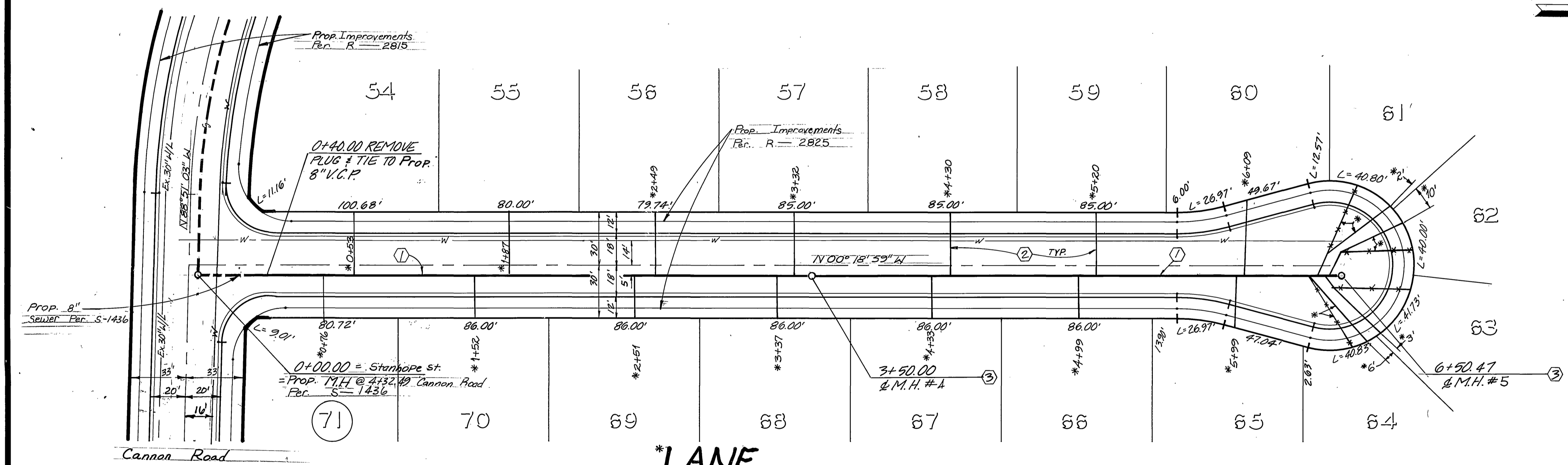
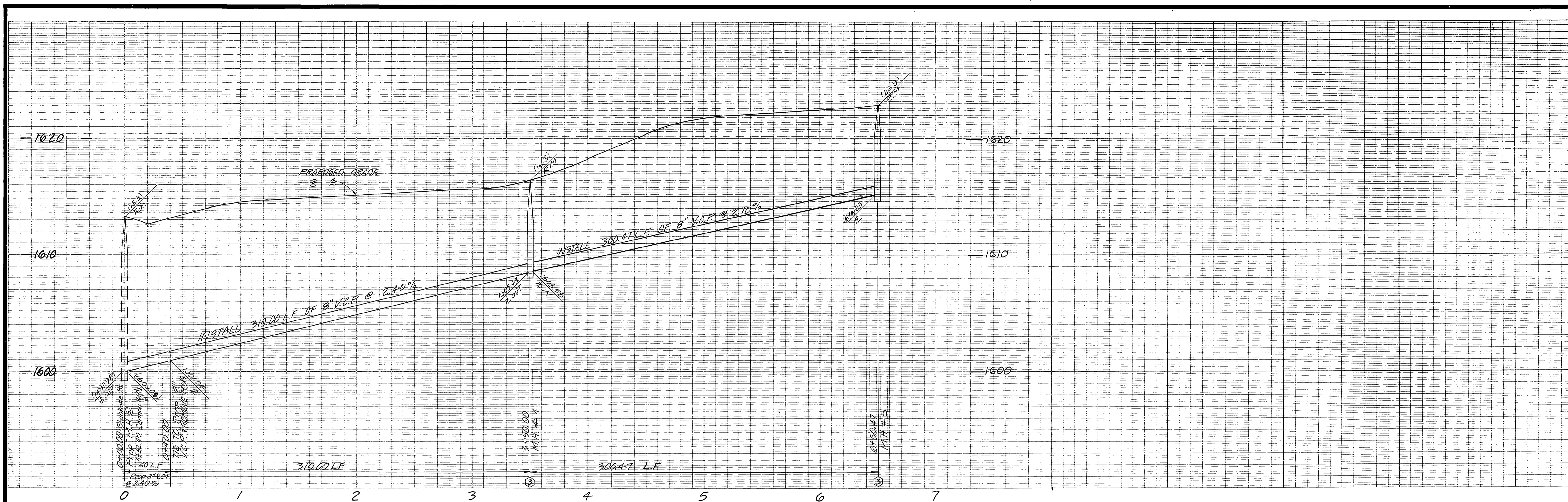
PREPARED UNDER THE DIRECTION OF:
 [Signature]
 REGISTERED CIVIL ENGINEER NO. 17550
 EXPIRATION DATE: 6-30-89 DATE: 9/10/86

J F DAVIDSON ASSOCIATES, INC.
 CIVIL ENGINEERS • SURVEYORS • PLANNERS
 P.O. BOX 493 11200 SO. MT. VERNON AVE. #D 73-080 EL PASO, #103
 RIVERSIDE, CA 92502 COLTON, CA 92324 PALM DESERT, CA 92260
 (714) 686-0844 (714) 825-1082 (619) 346-5591

MARK	REVISIONS	APPR.	DATE
DESIGNED BY: RLS	DRAWN BY: CME	CHECKED BY: GLO	

CITY OF RIVERSIDE, CALIFORNIA
 DEPARTMENT OF PUBLIC WORKS
 APPROVED BY: [Signature]
 DATE: 4-8-87

TRACT NO. 21403
 SEWER PLAN & PROFILE
 FOXCROFT STREET
 TIVERTON WAY
 PROJECT NO. S-1441
 SHEET 2 OF 3
 FILE NO. 86-9189 (M)
 HORIZ. SCALE: 1" = 40' VERT. SCALE: 1" = 4'



PRIVATE ENGINEERING NOTE
 CONSTRUCTION CONTRACTOR AGREES THAT IN ACCORDANCE WITH GENERALLY ACCEPTED CONSTRUCTION PRACTICES CONSTRUCTION CONTRACTOR WILL BE REQUIRED TO ASSUME SOLE AND COMPLETE RESPONSIBILITY FOR JOB SITE CONDITIONS DURING THE COURSE OF CONSTRUCTION OF THE PROJECT, INCLUDING SAFETY OF ALL PERSONS AND PROPERTY; THAT THIS REQUIREMENT SHALL BE MADE TO APPLY CONTINUOUSLY AND NOT BE LIMITED TO NORMAL WORKING HOURS AND CONSTRUCTION CONTRACTOR FURTHER AGREES TO DEFEND, INDEMNIFY AND HOLD DESIGN PROFESSIONAL HARMLESS FROM ANY AND ALL LIABILITY, REAL OR ALLEGED, IN CONNECTION WITH THE PERFORMANCE OF WORK ON THIS PROJECT, EXCEPTING LIABILITY ARISING FROM THE SOLE NEGLIGENCE OF DESIGN PROFESSIONAL.

STANHOPE

***LANE STREET**

Underground Service Alert
 Call: TOLL FREE
1-800-422-4133
 TWO WORKING DAYS BEFORE YOU DIG



Reviewed by Western Municipal Water District for construction
[Signature] 1/6/87
 Chief Engineer, RCE 17984 Date

CITY OF RIVERSIDE / WATER SYSTEM
 Approved By: *[Signature]* 3/16/87
 AS Date

PREPARED UNDER THE DIRECTION OF:
[Signature]
 REGISTERED CIVIL ENGINEER NO. 17550
 EXPIRATION DATE 6-30-89 DATE 9/1/86

J F DAVIDSON ASSOCIATES, INC.
 CIVIL ENGINEERS • SURVEYORS • PLANNERS
 P.O. BOX 493 11200 SO. MT. VERNON AVE., #D 73-080 EL PASO, #103
 RIVERSIDE, CA 92502 COLTON, CA 92324 PALM DESERT, CA 92260
 (714) 686-0844 (714) 825-1082 (619) 346-5691

MARK	REVISIONS	APPR. DATE

DESIGNED BY RLS DRAWN BY CMF CHECKED BY SOLDI

CITY OF RIVERSIDE, CALIFORNIA
 DEPARTMENT OF PUBLIC WORKS
 APPROVED BY: *[Signature]*
 DIRECTOR OF PUBLIC WORKS
 DATE 4-8-87

TRACT NO. 21403
 SEWER PLAN & PROFILE
 STANHOPE STREET
 SHEET 3 OF 3
 HORIZ. SCALE: 1" = 40' VERT. SCALE: 1" = 4'
 FILE NO. 86-9189 (M)
 * AS BUILT 7/1985 R/M

610.47 LF 8" VCP
 610 LF 4" VCP