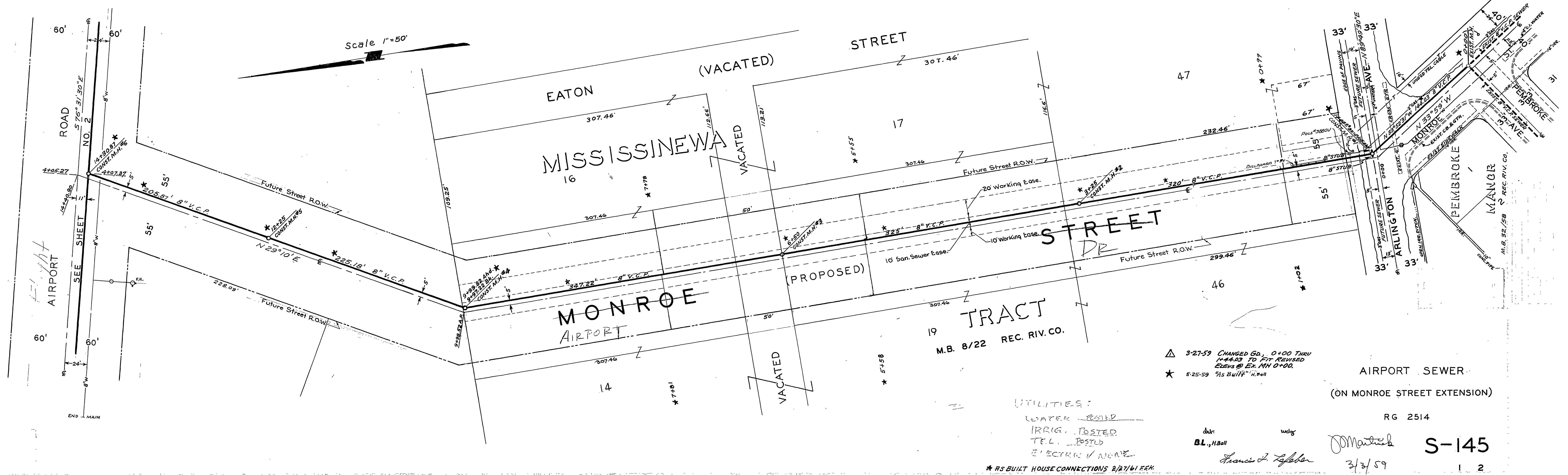
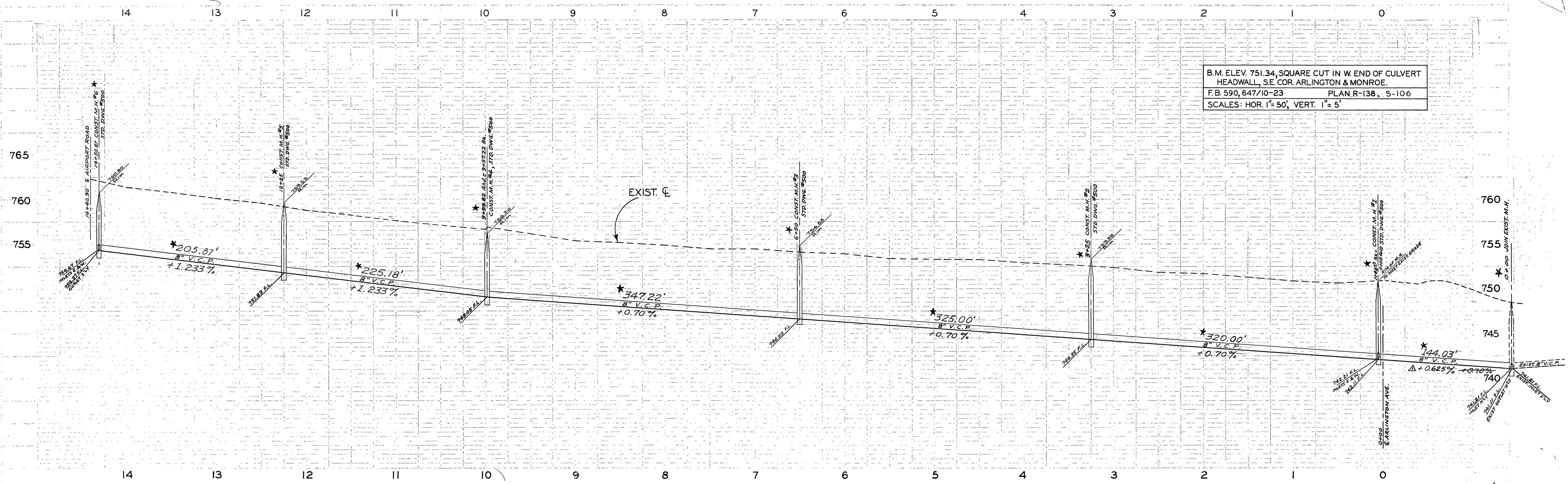


B.M. ELEV. 751.34, SQUARE CUT IN W. END OF CULVERT HEADWALL, S.E. COR. ARLINGTON & MONROE.  
 F.B. 590, 647/10-23 PLAN.R-138, 5-106  
 SCALES: HOR. 1"=50', VERT. 1"=5'



△ 3-27-59 CHANGED GD. 0+00 THRU 1+44.03 TO FIT REVISED ELEV. @ EX. MH 0+00.  
 ★ 5-25-59 "As Built" H. Ball

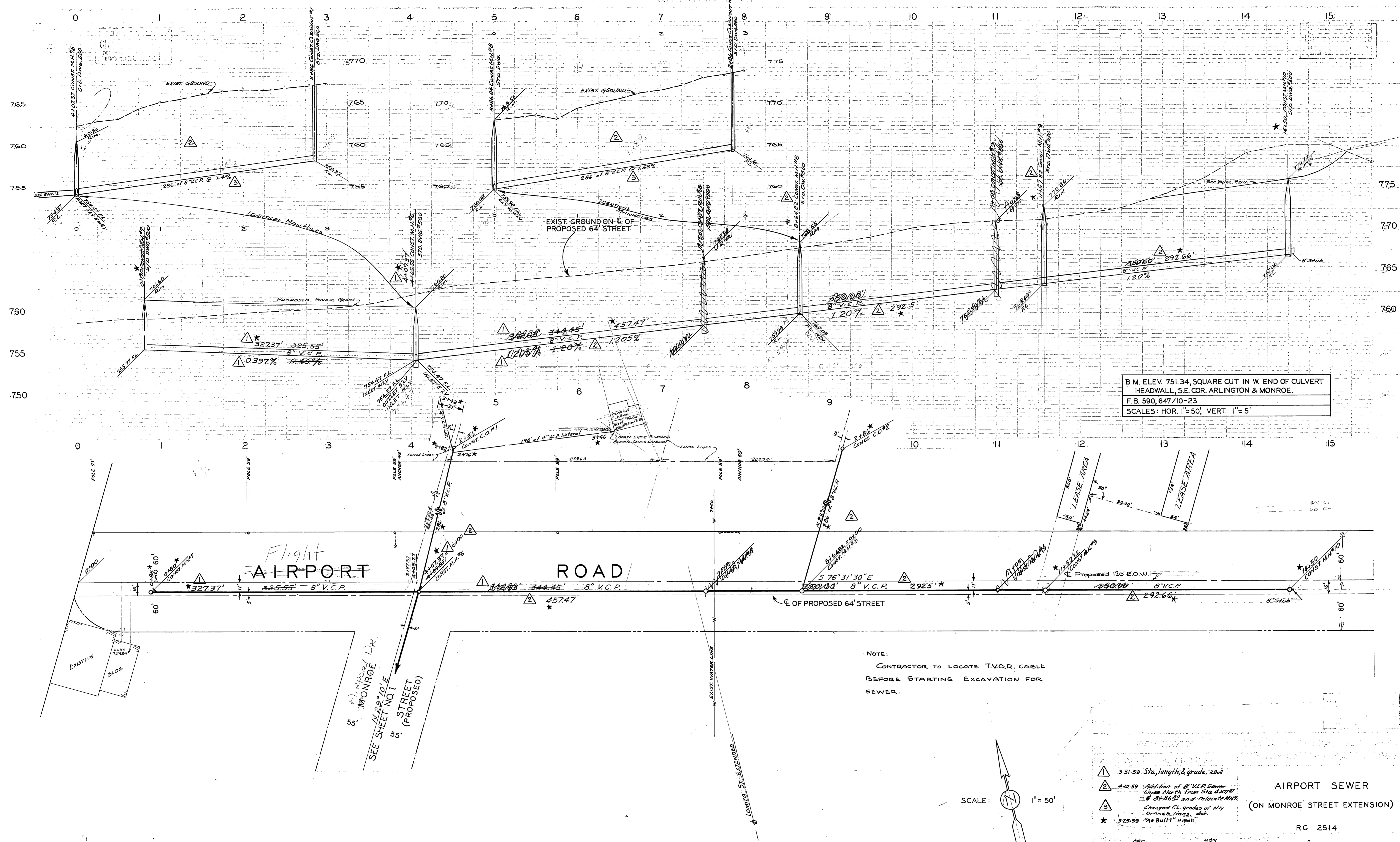
AIRPORT SEWER  
 (ON MONROE STREET EXTENSION)

UTILITIES:  
 WATER - 18" D.  
 IRRIG. - 18" D.  
 TEL. - 18" D.  
 POSTED  
 ELECTRIC - 18" D.

dir. H. Ball  
 wdg. Francis J. Lyle  
 3/3/59

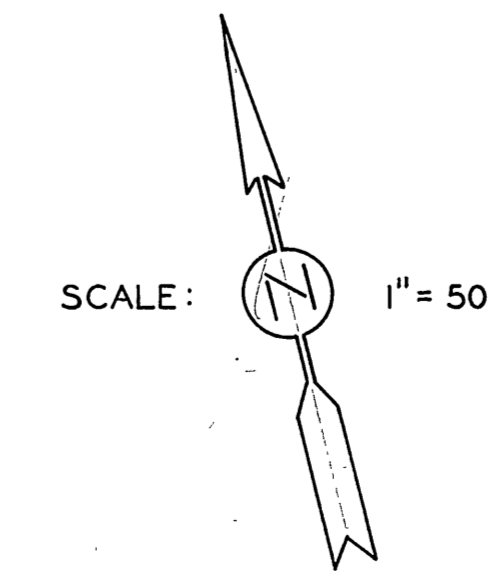
RG 2514  
 S-145  
 1 2

\* AS BUILT HOUSE CONNECTIONS 2/27/61 ERK.



B.M. ELEV. 751.34, SQUARE CUT IN W. END OF CULVERT HEADWALL, S.E. COR. ARLINGTON & MONROE.  
 F.B. 590, 647/10-23  
 SCALES: HOR. 1"=50', VERT. 1"=5'

NOTE:  
 CONTRACTOR TO LOCATE T.V.O.R. CABLE BEFORE STARTING EXCAVATION FOR SEWER.



- △ 3-31-59 Sta., length, & grade, H.Ball
- ② 4-10-59 Addition of 8" V.C.P. Sewer Lines North from Sta. 440787 & 8+86.88 and Relocate M.H.R. Changed Fl. grades of N.Y. branch lines. dat.
- ★ 5-25-59 "As Built" H.Ball

AIRPORT SEWER  
 (ON MONROE STREET EXTENSION)

RG 2514

dwg.  
 B.L., H.Ball  
 Roy Cunis

S-145  
 3/3/59  
 2 2