

INDEX MAP
SCALE = 1" = 100'

GENERAL NOTES

1. The private engineer signing these plans is responsible for the accuracy and acceptability of the work hereon. In the event of discrepancies arising during construction the private engineer signing the plans shall be responsible for determining an acceptable solution and revising the plans for approval by the city.
2. It shall be the responsibility of the contractor to clear the right-of-way in accordance with the provisions of law as it affects each utility including irrigation lines and appurtenances and at no cost to the city.
3. Construction shall be in accordance with the City of Riverside Department of public works, standard drawings, standard drawing No. 10 and the standard specifications public works construction, current edition.
4. Location of laterals to be determined in the field at the direction of the owner. Avoid conflict with proposed and/or existing facilities.
5. Contractor is to verify existing sewer elevation prior to construction.
6. The sewer contractor shall adjust manholes to final grade after paving is completed.
7. No finished floor elevation shall be less than 4" above the sewer flow line at the point of connection without having a proper backwater valve installed in the lateral.
8. A plug shall be installed and will remain in place where the new sewer connects with the existing sewer until the new sewer is accepted by the City of Riverside.
9. All manholes to be Riverside City Std. No. 500.
10. All flagged elevations shall be staked in the field by private engineer.
11. The contractor shall call in a location request to UNDERGROUND SERVICE ALERT (USA), Phone No. 1-800-422-4133, two working days before digging. No construction permit will be issued by the Public Works Department involving excavation for underground facilities unless the applicant has been provided an Inquiry Identification Number by U.S.A.
12. The developer shall be responsible for preserving or re-establishing and referencing survey monuments destroyed, disturbed or buried as a result of construction shown hereon.

CONSTRUCTION NOTES (SEWER)

- 1 Construct Manholes per City of Riverside Std. Dwg. No. 500
- 2 Construct Cleanouts per City of Riverside Std. Dwg. No. 560.
- 3 Construct Laterals per City of Riverside Std. Dwg. No. 562.
- 4 Construct 8" V.C.P.

PRIVATE ENGINEERING NOTE

CONSTRUCTION CONTRACTOR AGREES THAT IN ACCORDANCE WITH GENERALLY ACCEPTED CONSTRUCTION PRACTICES, CONSTRUCTION CONTRACTOR WILL BE REQUIRED TO ASSUME SOLE AND COMPLETE RESPONSIBILITY FOR JOB SITE CONDITIONS DURING THE COURSE OF CONSTRUCTION OF THE PROJECT, INCLUDING SAFETY OF ALL PERSONS AND PROPERTY, THAT THIS REQUIREMENT SHALL BE MADE TO APPLY CONTINUOUSLY AND NOT BE LIMITED TO NORMAL WORKING HOURS, AND CONSTRUCTION CONTRACTOR FURTHER AGREES TO DEFEND, INDEMNIFY AND HOLD DESIGN PROFESSIONAL HARMLESS FROM ANY AND ALL LIABILITY, REAL OR ALLEGED, IN CONNECTION WITH THE PERFORMANCE OF WORK ON THIS PROJECT, EXCEPTING LIABILITY ARISING FROM THE SOLE NEGLIGENCE OF DESIGN PROFESSIONAL.



Underground Service Alert

Call: TOLL FREE
1 - 800 - 422 - 4133
TWO WORKING DAYS BEFORE YOU DIG

BENCH MARK: CITY OF RIVERSIDE BENCH MARK #FB-E PK. NAIL AND CITY TAG IN TOP OF LARGE ROCK TO SLY SIDE ALESSANDRO BLVD 4.00' MILE S'ELY OF VIA VISTA DR. NEAR RR No. 775903H ELEV. 1902.195'

SOUTHERN CALIFORNIA GAS COMPANY
Approved By: *Al. Baughman* 3-13-87
Date

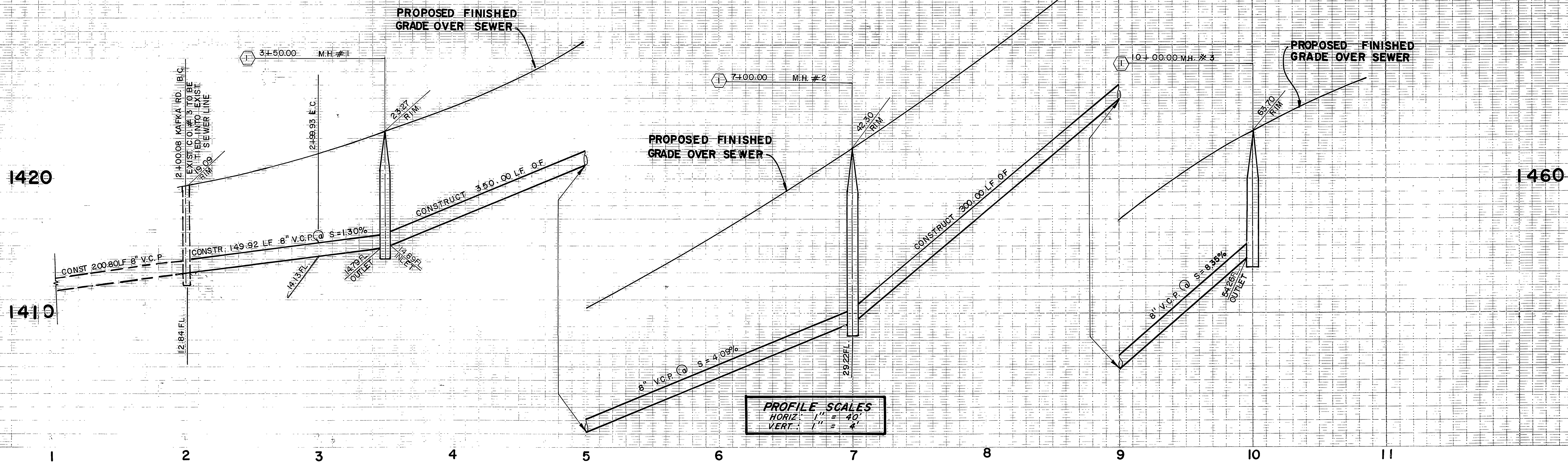
PREPARED UNDER THE DIRECTION OF:
John W. Canty
REGISTERED CIVIL ENGINEER NO. 17550
EXPIRATION DATE 6-30-89 DATE: 9/4/86
APPROVED BY:

J. F. DAVIDSON ASSOCIATES
CIVIL ENGINEERS • SURVEYORS • PLANNERS
3426 TENTH STREET RIVERSIDE, CAL. 11200 S. MT. VERNON AVE. COLTON, CAL.
SCALE: AS SHOWN BENCH MARK: SEE ABOVE
DATE SEPT 1986

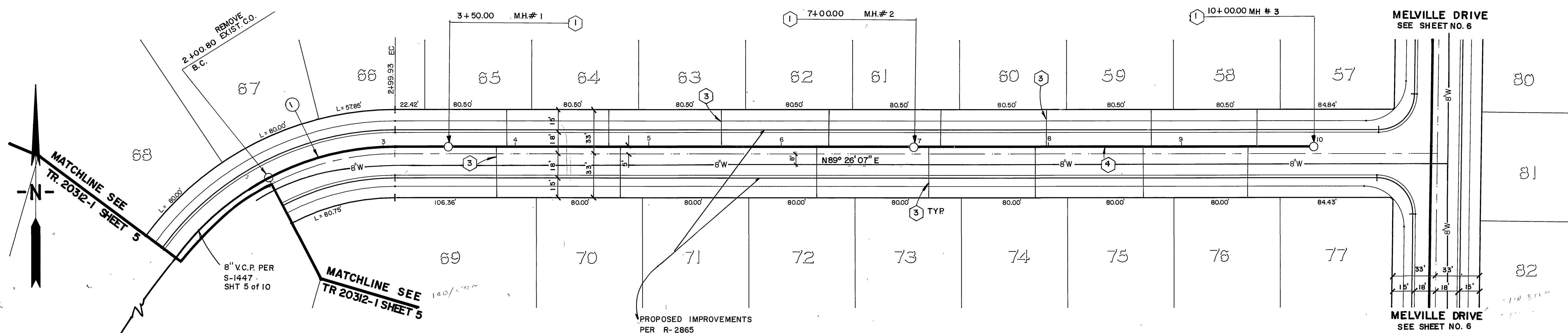
CITY OF RIVERSIDE, CALIFORNIA DEPARTMENT OF PUBLIC WORKS
APPROVED BY: *William D. Gardner* DATE 4-2-87
PRINCIPAL ENGINEER BY DATE 3-26-87
TRAFFIC DIVISION CHIEF P. W. ENR. DATE 4/2/87

INDEXED 8-4-87 Lth
SEWER PLAN AND PROFILE PROJECT NO. S-1451
TRACT 20312 SHEET 1 OF 3
TITLE SHEET
HORIZ. SCALE: 1" = VERT. SCALE: 1" = FILE NO. 86-9219

REVISIONS APPR. DATE
DESIGNED BY: *TL* DRAWN BY: *TL* CHECKED BY: *JF*



PROFILE SCALES
 HORIZ. 1" = 40'
 VERT. 1" = 4'



SEWER CURVE DATA				
NO.	Δ	R	L	T
1	27°42'15"	205.00'	99.13'	50.55'

PRIVATE ENGINEERING NOTE

CONSTRUCTION CONTRACTOR AGREES THAT IN ACCORDANCE WITH GENERALLY ACCEPTED CONSTRUCTION PRACTICES, CONSTRUCTION CONTRACTOR WILL BE REQUIRED TO ASSUME SOLE AND COMPLETE RESPONSIBILITY FOR JOB SITE CONDITIONS DURING THE COURSE OF CONSTRUCTION OF THE PROJECT, INCLUDING SAFETY OF ALL PERSONS AND PROPERTY. THAT THIS REQUIREMENT SHALL BE MADE TO APPLY CONTINUOUSLY AND NOT BE LIMITED TO NORMAL WORKING HOURS, AND CONSTRUCTION CONTRACTOR FURTHER AGREES TO DEFEND, INDEMNIFY AND HOLD DESIGN PROFESSIONAL HARMLESS FROM ANY AND ALL LIABILITY, REAL OR ALLEGED, IN CONNECTION WITH THE PERFORMANCE OF WORK ON THIS PROJECT, EXCEPTING LIABILITY ARISING FROM THE SOLE NEGLIGENCE OF DESIGN PROFESSIONAL.



TOLKIEN ROAD

PREPARED UNDER THE DIRECTION OF:
 John W. Canty
 REGISTERED CIVIL ENGINEER NO. 17550
 EXPIRATION DATE 6/30/89 DATE: 9/4/86

J F DAVIDSON ASSOCIATES, INC.
 CIVIL ENGINEERS • SURVEYORS • PLANNERS
 P.O. BOX 493 11200 SO. MI. VERNON AVE., #D 73-080 EL PASO, #103
 RIVERSIDE, CA 92502 COLTON, CA 92324 PALM DESERT, CA 92260
 (714) 686-0844 (714) 825-1082 (619) 346-5691

SCALE H = 1" = 40'
 V = 1" = 4'

BENCH MARK: CITY OF RIVERSIDE BENCH MARK #FB-E
 RR. NAIL AND CITY TAG IN TOP OF LARGE ROCK TO
 SLY SIDE ALEXANDRO BLVD 1.060 MILE S ELY OF
 VIA VISTA DR. NEAR RR No. T15963H ELEV. 1502.195'

DATE JULY 1986

JFD ASSOCIATES

MARK REVISIONS APPR. DATE

DESIGNED BY YZ DRAWN BY TC & TE CHECKED BY JF

CITY OF RIVERSIDE, CALIFORNIA
 DEPARTMENT OF PUBLIC WORKS

APPROVED BY: [Signature] DATE: 4-2-87
 PRINCIPAL ENGINEER: [Signature]
 PARK DEPARTMENT: [Signature]
 TRAFFIC DIVISION: [Signature]
 CHIEF P. W. ENGR. [Signature]

SEWER PLAN & PROFILE
 TRACT 20312
 TOLKIEN ROAD

HORIZ. SCALE: 1" = 40'
 VERT. SCALE: 1" = 4'

PROJECT NO. S-1451
 SHEET 2 OF 3
 FILE NO. 86-9219

INDEXED 8-4-87 LTH

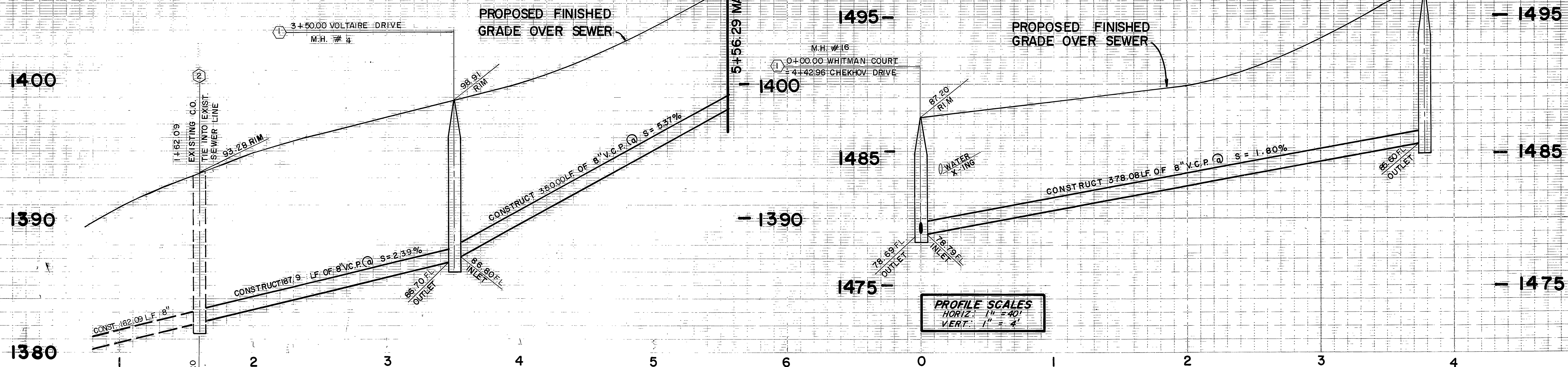
Underground Service Alert
 Ca11: TOLL FREE
 1-800-422-4133
 TWO WORKING DAYS BEFORE YOU DIG

SOUTHERN CALIFORNIA GAS COMPANY

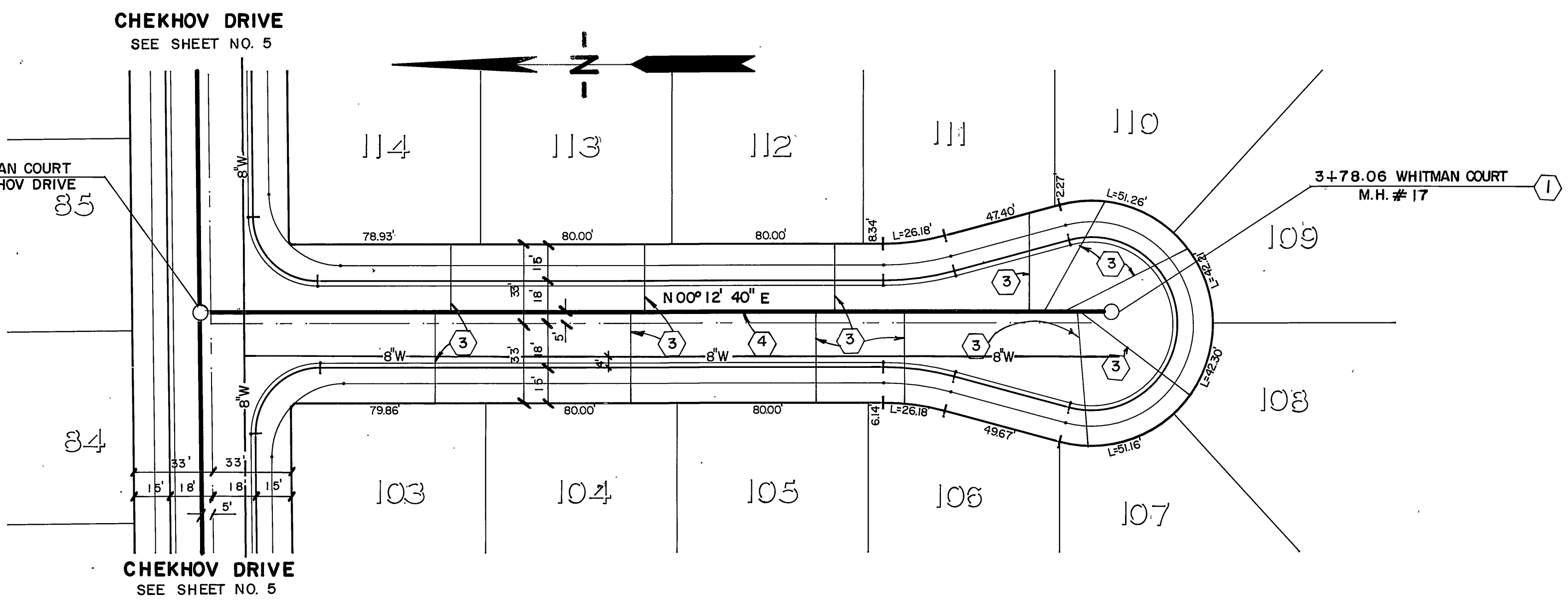
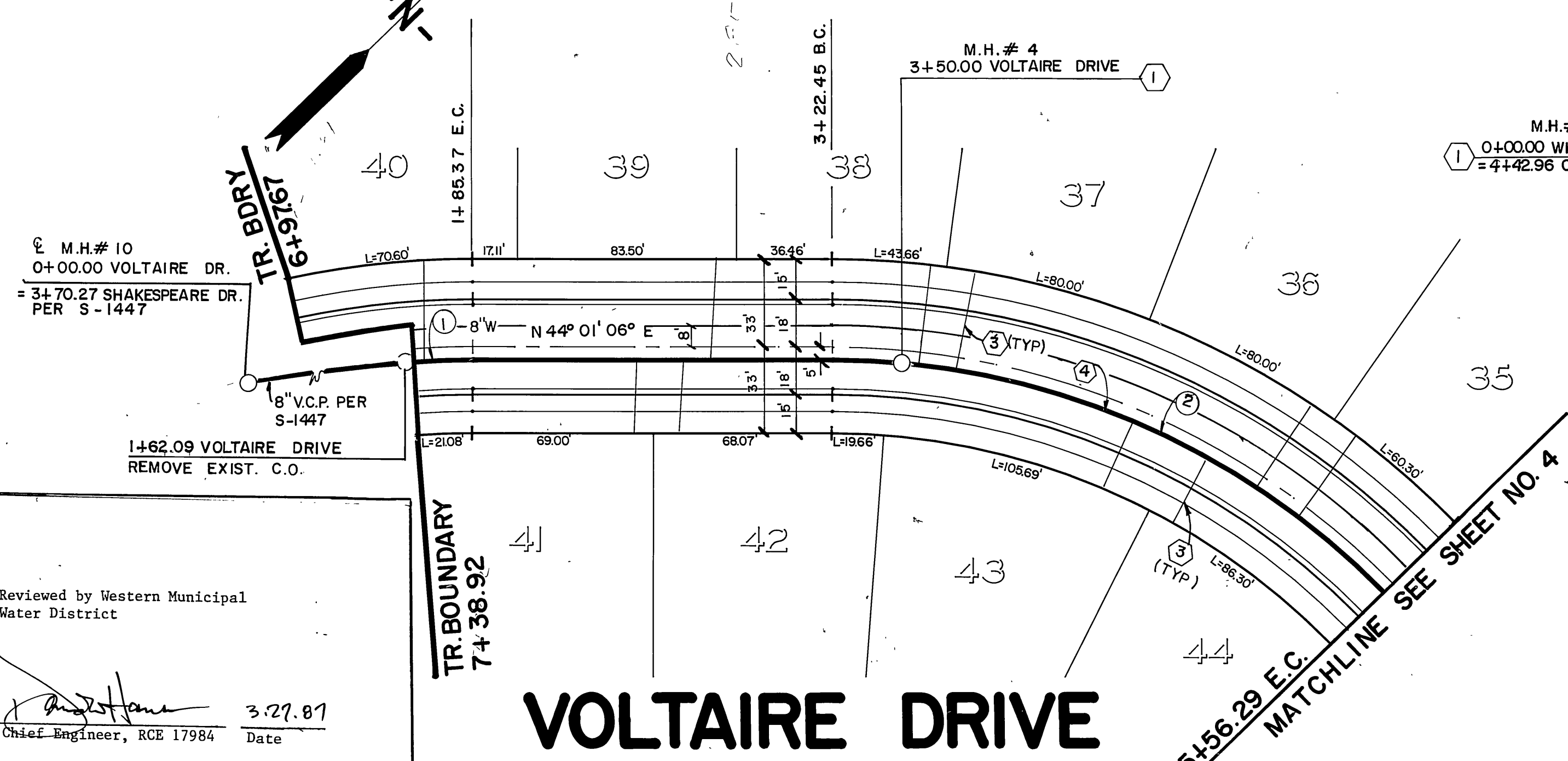
APPROVED BY: [Signature] DATE: 3-13-87

CITY OF RIVERSIDE
 WATER SYSTEM

APPROVED BY: [Signature] DATE: 3-16-87



PROFILE SCALES
 HORIZ: 1" = 40'
 VERT: 1" = 4'



Reviewed by Western Municipal Water District
 Chief Engineer, RCE 17984
 Date 3-27-87

VOLTAIRE DRIVE

WHITMAN COURT

PRIVATE ENGINEERING NOTE
 CONSTRUCTION CONTRACTOR AGREES THAT IN ACCORDANCE WITH GENERALLY ACCEPTED CONSTRUCTION PRACTICES, CONSTRUCTION CONTRACTOR WILL BE REQUIRED TO ASSUME SOLE AND COMPLETE RESPONSIBILITY FOR JOB SITE CONDITIONS DURING THE COURSE OF CONSTRUCTION OF THE PROJECT, INCLUDING SAFETY OF ALL PERSONS AND PROPERTY. THAT THIS REQUIREMENT SHALL BE MADE TO APPLY CONTINUOUSLY AND NOT BE LIMITED TO NORMAL WORKING HOURS, AND CONSTRUCTION CONTRACTOR FURTHER AGREES TO DEFEND, INDEMNIFY AND HOLD DESIGN PROFESSIONAL HARMLESS FROM ANY AND ALL LIABILITY, REAL OR ALLEGED, IN CONNECTION WITH THE PERFORMANCE OF WORK ON THIS PROJECT, EXCEPTING LIABILITY ARISING FROM THE SOLE NEGLIGENCE OF DESIGN PROFESSIONAL.



SEWER CURVE DATA				
NO.	Δ	R	L	T
①	04° 55' 51"	295.00'	25.37'	12.70'
②	45° 25' 01"	295.00'	2 33.84'	123.45'

INDEXED 8-4-87 LHM
 Underground Service Alert
 Call: TOLL FREE
 1 - 800
 422 - 4133
 TWO WORKING DAYS BEFORE YOU DIG

SOUTHERN CALIFORNIA GAS COMPANY
 Approved: R. R. Raupman
 Date: 3-13-87

CITY OF RIVERSIDE WATER SYSTEM
 Approved: David V. Garcia
 Date: 3-16-87

PREPARED UNDER THE DIRECTION OF:
 Registered Civil Engineer No. 17550
 EXPIRATION DATE: 6/30/89
 DATE: 7/4/86

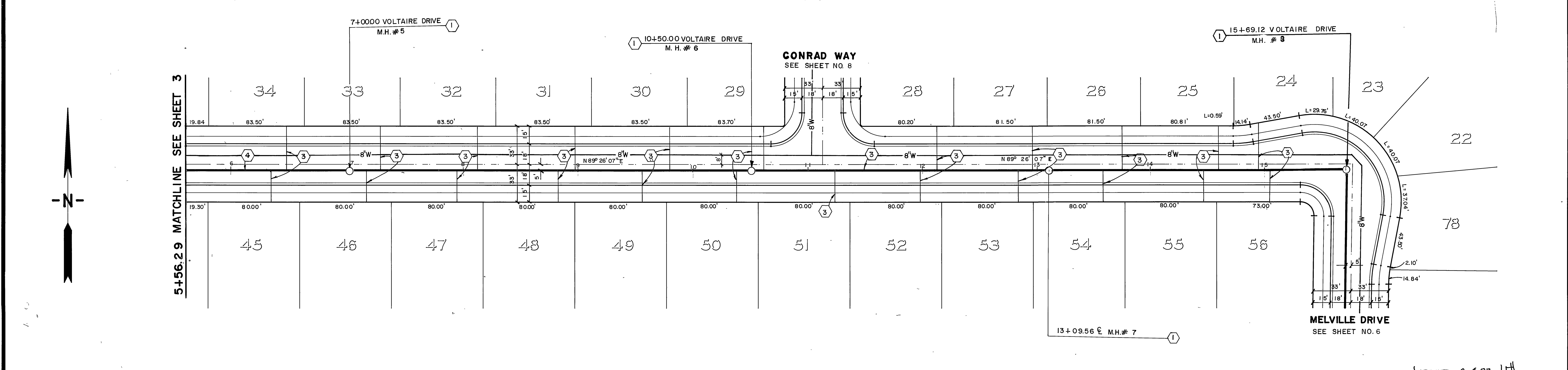
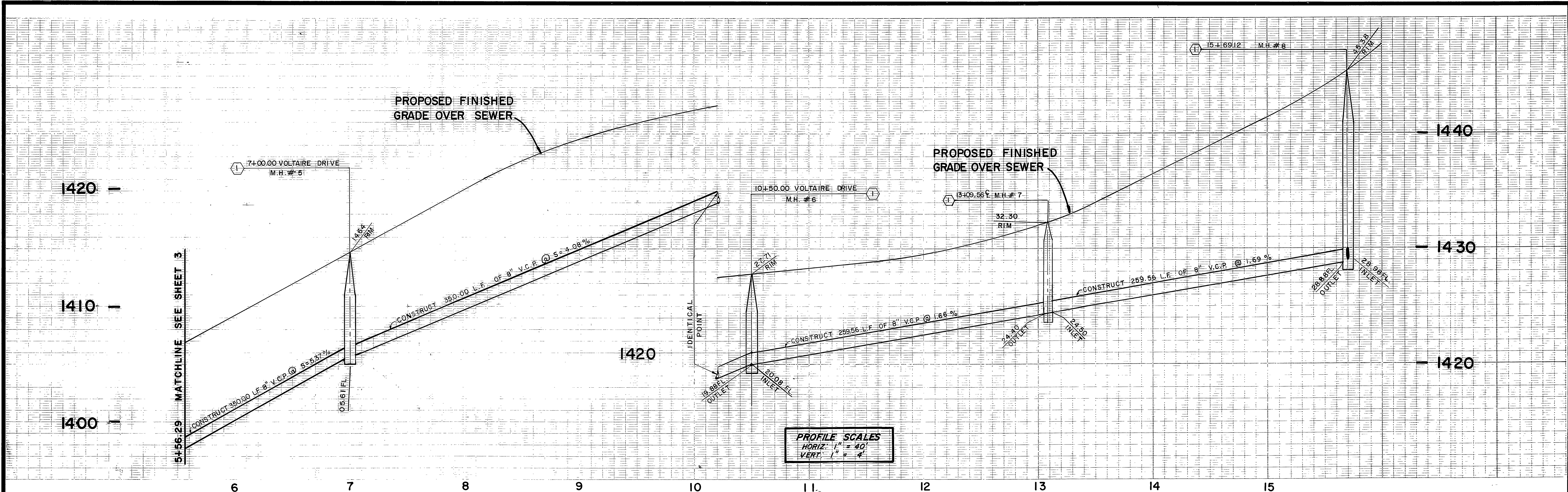
J F DAVIDSON ASSOCIATES, INC.
 CIVIL ENGINEERS • SURVEYORS • PLANNERS
 P.O. BOX 493 11200 SO. MT. VERNON AVE., #D 73-080 EL PASO, #103
 RIVERSIDE, CA 92502 COLTON, CA 92324 PALM DESERT, CA 92260
 (714) 686-0844 (714) 825-1082 (619) 346-5691

DESIGNED BY: YZ
 DRAWN BY: JTE
 CHECKED BY: JPK

CITY OF RIVERSIDE, CALIFORNIA DEPARTMENT OF PUBLIC WORKS
 APPROVED BY: William D. Hardner
 DATE: 4-2-87

SEWER PLAN & PROFILE
 TRACT 20312
 VOLTAIRE DRIVE & WHITMAN COURT
 HORIZ. SCALE: 1" = 40' VERT. SCALE: 1" = 4'

PROJECT NO. S-1451
 SHEET 3 OF 3
 FILE NO. 86-9219



VOLTAIRE DRIVE

PRIVATE ENGINEERING NOTE

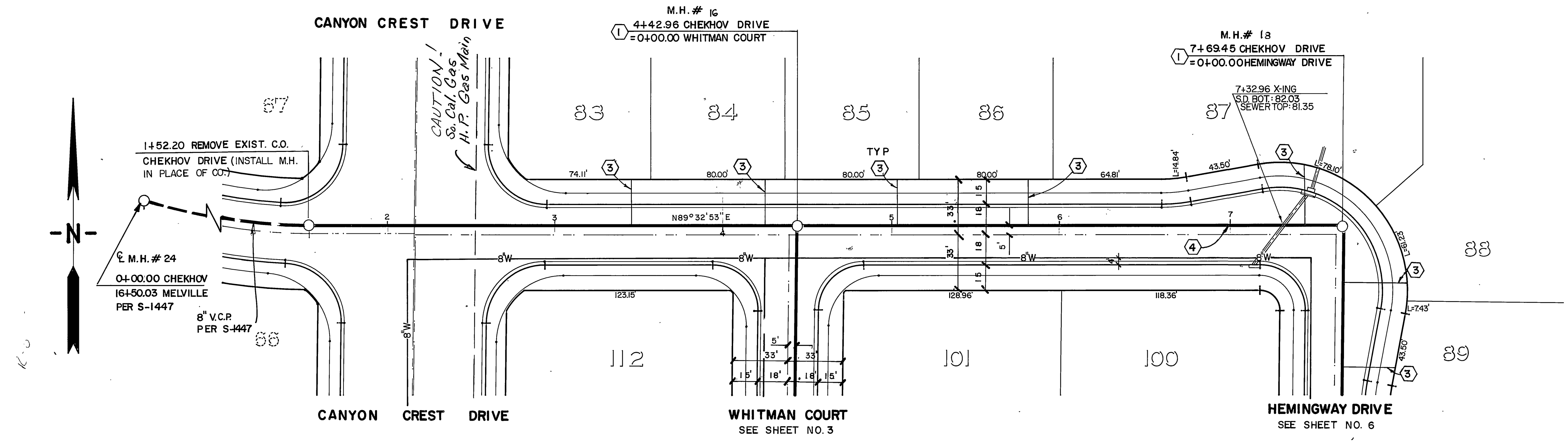
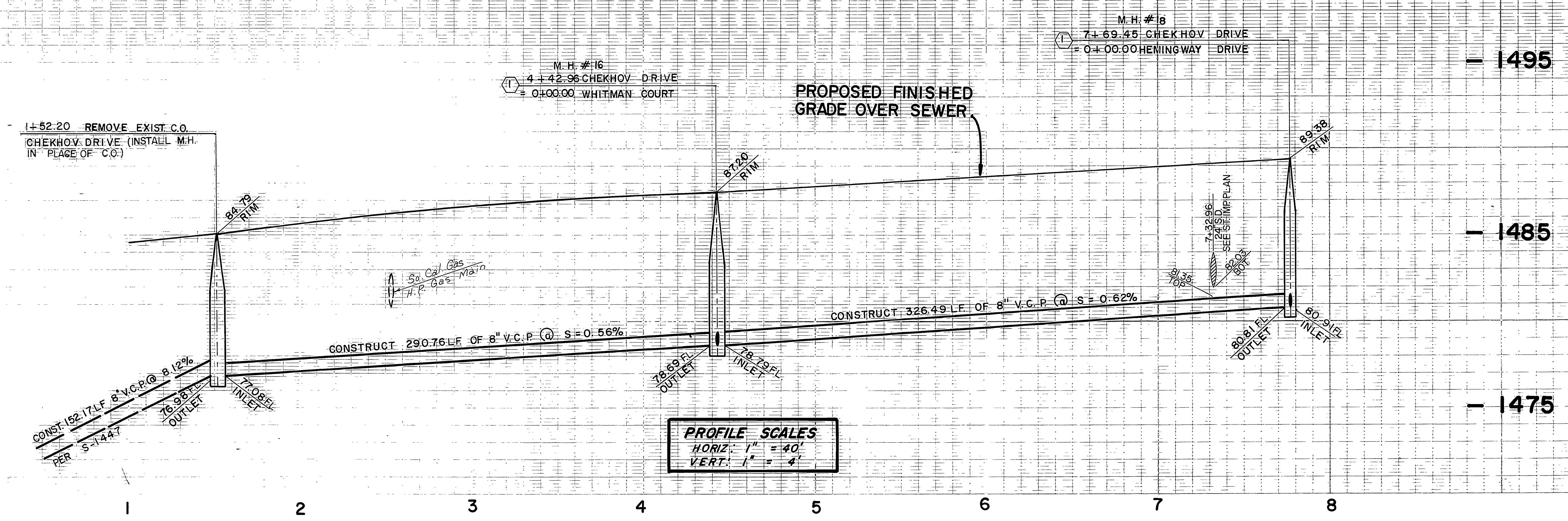
CONSTRUCTION CONTRACTOR AGREES THAT IN ACCORDANCE WITH GENERALLY ACCEPTED CONSTRUCTION PRACTICES, CONSTRUCTION CONTRACTOR WILL BE REQUIRED TO ASSUME SOLE AND COMPLETE RESPONSIBILITY FOR JOB SITE CONDITIONS DURING THE COURSE OF CONSTRUCTION OF THE PROJECT, INCLUDING SAFETY OF ALL PERSONS AND PROPERTY, THAT THIS REQUIREMENT SHALL BE MADE TO APPLY CONTINUOUSLY AND NOT BE LIMITED TO NORMAL WORKING HOURS, AND CONSTRUCTION CONTRACTOR FURTHER AGREES TO DEFEND, INDEMNIFY AND HOLD DESIGN PROFESSIONAL HARMLESS FROM ANY AND ALL LIABILITY, REAL OR ALLEGED, IN CONNECTION WITH THE PERFORMANCE OF WORK ON THIS PROJECT, EXCEPTING LIABILITY ARISING FROM THE SOLE NEGLIGENCE OF DESIGN PROFESSIONAL.



INDEXED 8-4-87 4H
 Underground Service Alert
 Call: TOLL FREE
 1-800-422-4133
 TWO WORKING DAYS BEFORE YOU DIG

SOUTHERN CALIFORNIA GAS COMPANY CITY OF RIVERSIDE WATER SYSTEM APPROVED: <i>David V. Garcia</i> 3-16-87 REVIEWED: <i>RP Baughman</i> 3-13-87	PREPARED UNDER THE DIRECTION OF: <i>John W. Canty</i> REGISTERED CIVIL ENGINEER NO. 17550 EXPIRATION DATE: 6/30/89 DATE: 9/14/86	J F DAVIDSON ASSOCIATES, INC. CIVIL ENGINEERS • SURVEYORS • PLANNERS P.O. BOX 493 11200 SO. MT. VERNON AVE., #D 73-080 EL PASO, #103 RIVERSIDE, CA 92502 COLTON, CA 92324 PALM DESERT, CA 92260 (714) 686-0844 (714) 825-1082 (619) 346-5691	CITY OF RIVERSIDE, CALIFORNIA DEPARTMENT OF PUBLIC WORKS APPROVED BY: <i>William D. Gardner</i> PRINCIPAL ENGINEER DATE: 3-20-87 PARK DEPARTMENT TRAFFIC DIVISION CHIEF P. W. ENGR. DATE: 4-2-87	SEWER PLAN & PROFILE TRACT 20312 VOLTAIRE DRIVE HORIZ. SCALE: 1" = 40' VERT. SCALE: 1" = 4'	PROJECT NO. S-1451 SHEET 4 OF 3 FILE NO. 06-0210
	SCALE: H = 1" = 40' V = 1" = 4' DATE: JULY 1986 BENCH MARK: CITY OF RIVERSIDE BENCH MARK #F3-E PK. NAIL AND CITY TAG IN TOP OF LARGE ROCK TO SLY SIDE ALESSANDRO BLVD. 1.080 MILE S/ELY OF VIA VISTA DR. NEAR RR. No. 775903H ELEV. 1502.195'	DESIGNED BY: <i>V.L.</i> DRAWN BY: <i>IC/STE</i> CHECKED BY: <i>J.P.</i>			

1495 —
1485 —
1475 —



CHEKHOV DRIVE

PRIVATE ENGINEERING NOTE
CONSTRUCTION CONTRACTOR AGREES THAT IN ACCORDANCE WITH GENERALLY ACCEPTED CONSTRUCTION PRACTICES, CONSTRUCTION CONTRACTOR WILL BE REQUIRED TO ASSUME SOLE AND COMPLETE RESPONSIBILITY FOR JOB SITE CONDITIONS DURING THE COURSE OF CONSTRUCTION OF THE PROJECT, INCLUDING SAFETY OF ALL PERSONS AND PROPERTIES, THAT THIS REQUIREMENT SHALL BE MADE TO APPLY CONTINUOUSLY AND NOT BE LIMITED TO NORMAL WORKING HOURS, AND CONSTRUCTION CONTRACTOR FURTHER AGREES TO DEFEND, INDEMNIFY AND HOLD DESIGN PROFESSIONAL HARMLESS FROM ANY AND ALL LIABILITY, REAL OR ALLEGED, IN CONNECTION WITH THE PERFORMANCE OF WORK ON THIS PROJECT, EXCEPTING LIABILITY ARISING FROM THE SOLE NEGLIGENCE OF DESIGN PROFESSIONAL.

Reviewed by Western Municipal Water District
[Signature]
Chief Engineer, RCE 17984
3-27-87
Date



INDEXED 8-4-87 Lft
Underground Service Alert
Call: TOLL FREE
1 - 800
422 - 4133
TWO WORKING DAYS BEFORE YOU DIG

SOUTHERN CALIFORNIA GAS COMPANY
[Signature]
3-13-87
Revised By: Date

CITY OF RIVERSIDE
WATER SYSTEM
APPROVED _____ DATE _____

PREPARED UNDER THE DIRECTION OF:
[Signature]
REGISTERED CIVIL ENGINEER NO. 17550
EXPIRATION DATE 6/30/89 DATE 2/4/86
APPROVED BY: _____

J F DAVIDSON ASSOCIATES, INC.
CIVIL ENGINEERS • SURVEYORS • PLANNERS
P.O. BOX 493 11200 SO. MT. VERNON AVE., #D 73-080 EL PASO, #103
RIVERSIDE, CA 92502 COLTON, CA 92324 PALM DESERT, CA 92260
(714) 686-0844 (714) 825-1082 (619) 346-5691
SCALE: H = 1" = 40'
V = 1" = 4'
BENCH MARK: CITY OF RIVERSIDE BENCH MARK #FA-E
PK. NAIL AND CITY TAG IN TOP OF LARGE ROCK TO
S'LY SIDE ALESSANDRO BLVD. 1.080 MILE S'ELY OF
VIA VISTA DR. NEAR RR No. 7759834 ELEV. 1502.195'

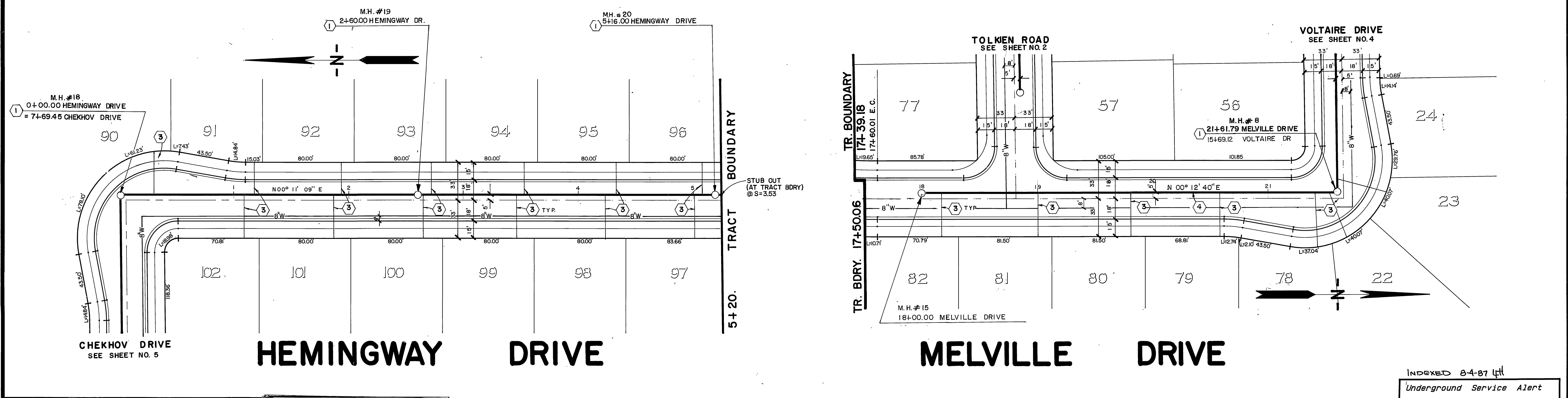
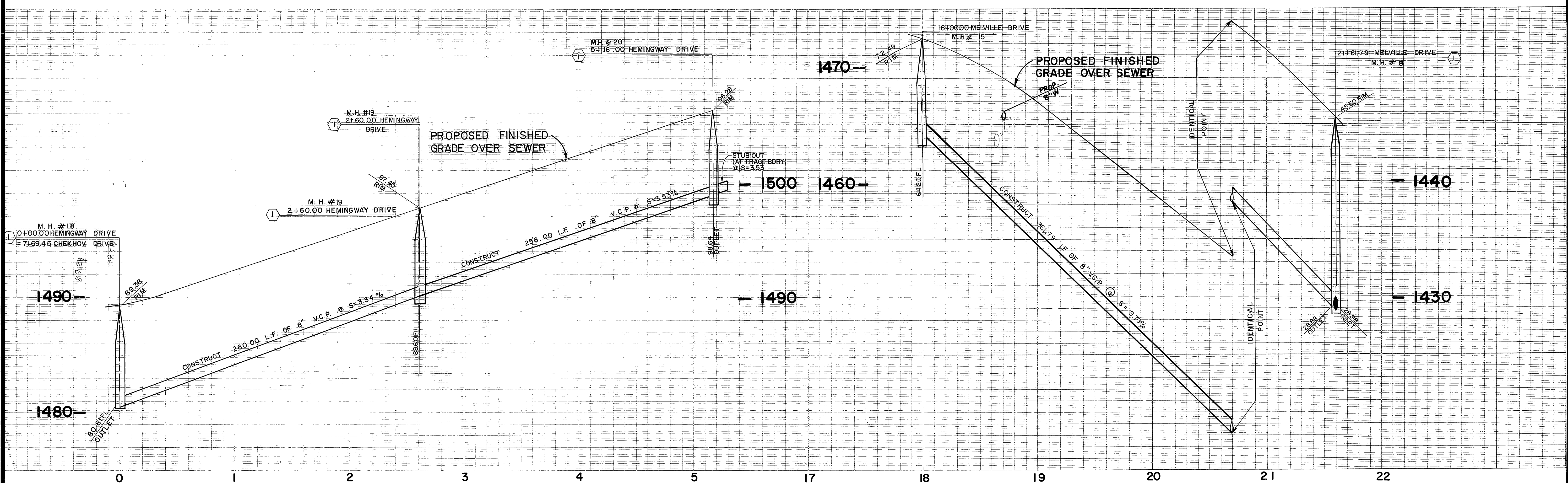
MARK	REVISIONS	APPR.	DATE

DESIGNED BY YL DRAWN BY TJE CHECKED BY JP

CITY OF RIVERSIDE, CALIFORNIA
DEPARTMENT OF PUBLIC WORKS
APPROVED BY: *[Signature]*
PRINCIPAL ENGINEER
TRAFFIC DIVISION
DATE 4-2-87

SEWER PLAN & PROFILE
TRACT 20312
CHEKHOV DRIVE
HORIZ. SCALE: 1" = 40'
VERT. SCALE: 1" = 4'

PROJECT NO. S-1451
SHEET 5 OF 8
FILE NO. 86-0219



PRIVATE ENGINEERING NOTE

CONSTRUCTION CONTRACTOR AGREES THAT IN ACCORDANCE WITH GENERALLY ACCEPTED CONSTRUCTION PRACTICES, CONSTRUCTION CONTRACTOR WILL BE REQUIRED TO ASSUME SOLE AND COMPLETE RESPONSIBILITY FOR JOB SITE CONDITIONS DURING THE COURSE OF CONSTRUCTION OF THE PROJECT, INCLUDING SAFETY OF ALL PERSONS AND PROPERTY. THAT THIS REQUIREMENT SHALL BE MADE TO APPLY CONTINUOUSLY AND NOT BE LIMITED TO NORMAL WORKING HOURS, AND CONSTRUCTION CONTRACTOR FURTHER AGREES TO DEFEND, INDEMNIFY AND HOLD DESIGN PROFESSIONAL HARMLESS FROM ANY AND ALL LIABILITY, REAL OR ALLEGED, IN CONNECTION WITH THE PERFORMANCE OF WORK ON THIS PROJECT, EXCEPTING LIABILITY ARISING FROM THE SOLE NEGLIGENCE OF DESIGN PROFESSIONAL.

Reviewed by Western Municipal Water District

David W. Garcia 3-13-87
Chief Engineer RCE 17984 Date

REGISTERED PROFESSIONAL ENGINEER
JOHN W. CANTY
No. 17550
CIVIL
STATE OF CALIFORNIA

PREPARED UNDER THE DIRECTION OF:
John W. Canty
REGISTERED CIVIL ENGINEER NO. 17550
EXPIRATION DATE 6/30/89 DATE: 2/14/86

APPROVED BY:
David V. Garcia 3-16-87
DATE

J F DAVIDSON ASSOCIATES, INC.
CIVIL ENGINEERS • SURVEYORS • PLANNERS

P.O. BOX 493 11200 SO. MT. VERNON AVE., #D 73-080 EL PASO, #103
RIVERSIDE, CA 92502 COLTON, CA 92324 PALM DESERT, CA 92260
(714) 666-0844 (714) 825-1082 (619) 346-5691

SCALE H=1"=40'
V=1"=4'

BENCH MARK: CITY OF RIVERSIDE BENCH MARK #F8-E
PK. NAIL AND CITY TAG IN TOP OF LARGE ROCK TO
S'LY SIDE ALESSANDRO BLVD. 1.080' MILE S'ELY OF
VIA VISTA DR. NEAR RR. No. 715963H ELEV. 1502.195'

MARK	REVISIONS	APPR.	DATE

CITY OF RIVERSIDE, CALIFORNIA
DEPARTMENT OF PUBLIC WORKS

APPROVED BY: *William D. Gardner* 4-2-87
PRINCIPAL ENGINEER
TRAFFIC DIVISION
CHIEF P. W. ENGR.

APPROVED BY: *William D. Gardner*
DIRECTOR OF PUBLIC WORKS
DATE 4-2-87

INDEXED 8-4-87 ltt

Underground Service Alert

Call: TOLL FREE
1 - 800
422 - 4133

TWO WORKING DAYS BEFORE YOU DIG

SEWER PLAN & PROFILE
TRACT 20312
HEMINGWAY DRIVE & MELVILLE DRIVE

PROJECT NO. S-1451
SHEET 6 OF 3
FILE NO. 86-9219

SOUTHERN CALIFORNIA GAS COMPANY

RR Baughman 3-13-87
Reviewed By: Date

CITY OF RIVERSIDE
WATER SYSTEM

David V. Garcia 3-16-87
APPROVED DATE

APPROVED BY: *David V. Garcia* 3-16-87
DATE

APPROVED BY: *John W. Canty* 2/14/86
DATE

DATE JUNE 1986

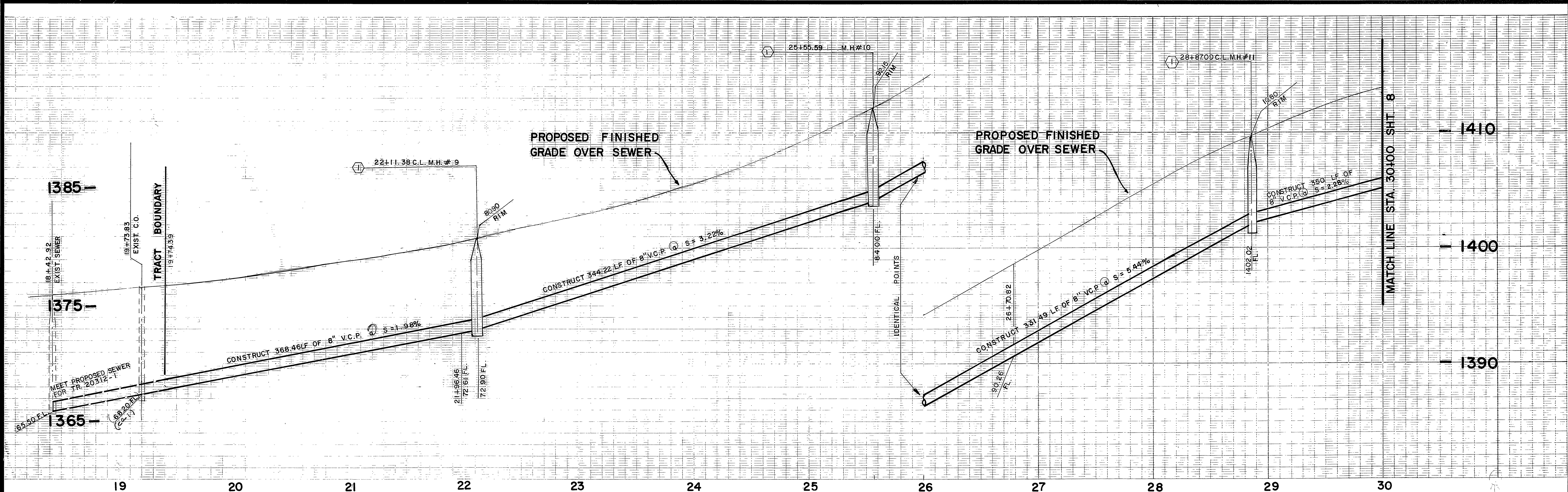
DESIGNED BY: YZ DRAWN BY: LCTE CHECKED BY: SP

DATE 4-2-87

DATE 4-2-87

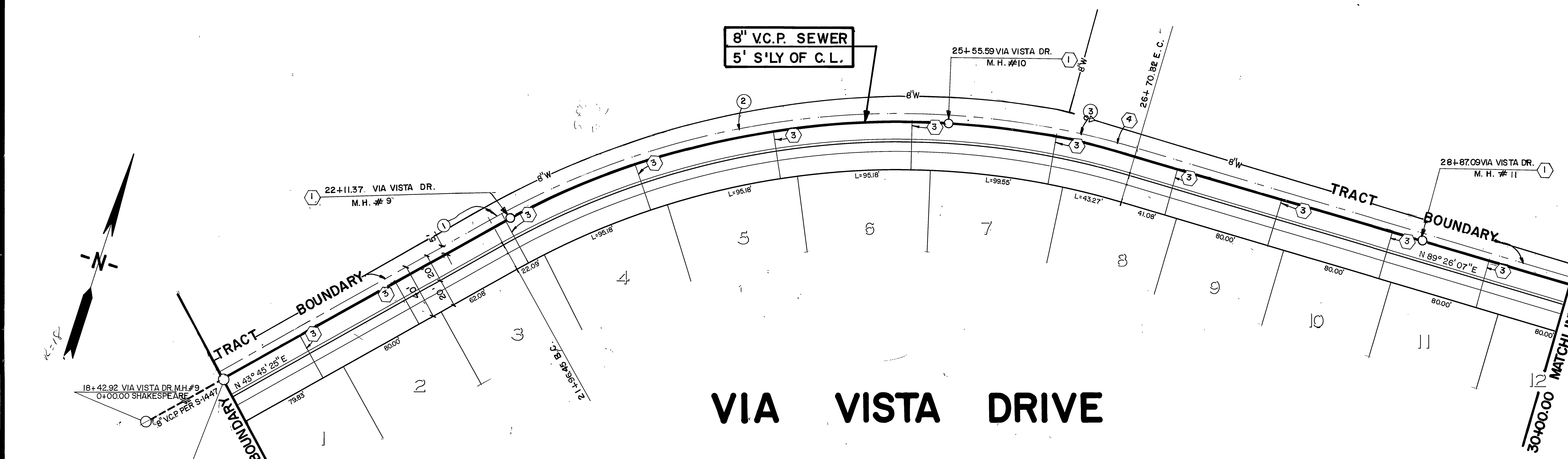
HORIZ. SCALE: 1" = 40' VERT. SCALE: 1" = 4'

15+73.33 EXIST. C.O.
R 65.70



SEWER CURVE DATA				
NO	Δ	R	L	T
①	01°26'12"	595.00'	14.92'	7.46'
②	33°08'47"	595.00'	344.25'	177.07'
③	11°05'44"	595.00'	115.22'	57.79'

8" V.C.P. SEWER
5' S'LY OF C.L.



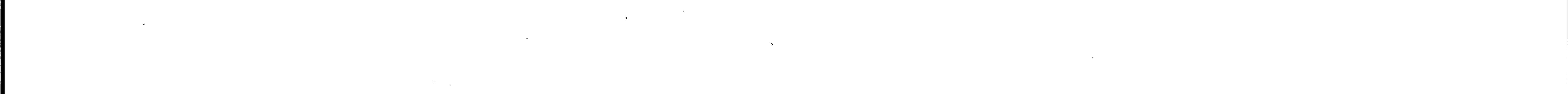
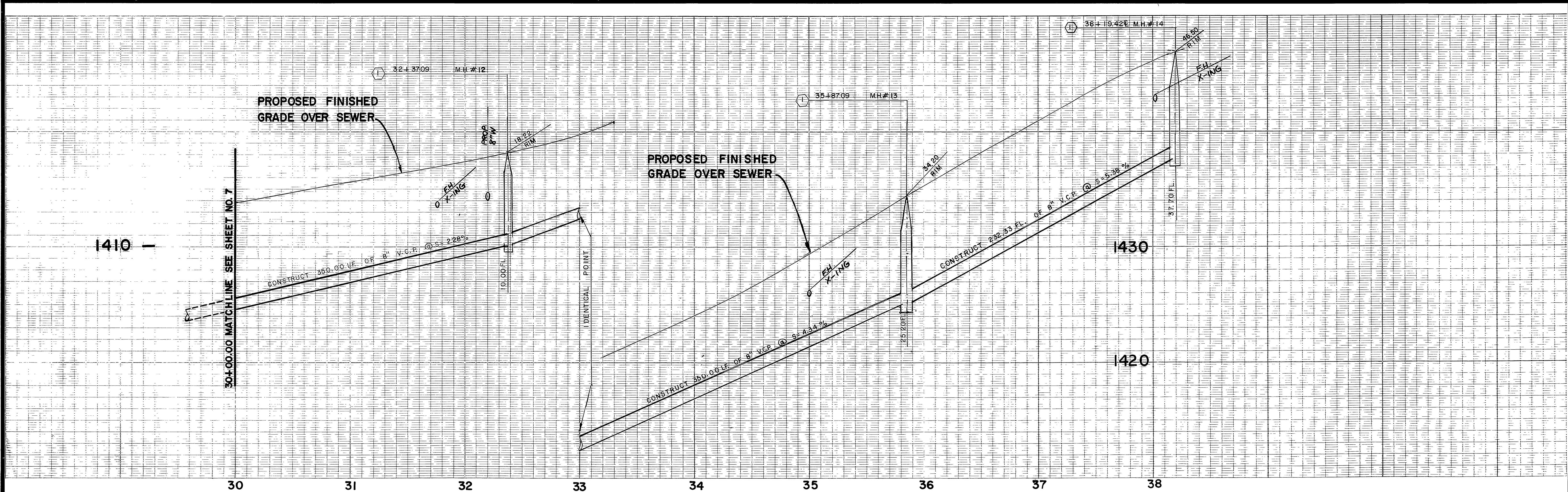
VIA VISTA DRIVE

PRIVATE ENGINEERING NOTE
CONSTRUCTION CONTRACTOR AGREES THAT IN ACCORDANCE WITH GENERALLY ACCEPTED CONSTRUCTION PRACTICES, CONSTRUCTION CONTRACTOR WILL BE REQUIRED TO ASSUME SOLE AND COMPLETE RESPONSIBILITY FOR JOB SITE CONDITIONS DURING THE COURSE OF CONSTRUCTION OF THE PROJECT, INCLUDING SAFETY OF ALL PERSONS AND PROPERTY; THAT THIS REQUIREMENT SHALL BE MADE TO APPLY CONTINUOUSLY AND NOT BE LIMITED TO NORMAL WORKING HOURS, AND CONSTRUCTION CONTRACTOR FURTHER AGREES TO DEFEND, INDEMNIFY AND HOLD DESIGN PROFESSIONAL HARMLESS FROM ANY AND ALL LIABILITY, REAL OR ALLEGED, IN CONNECTION WITH THE PERFORMANCE OF WORK ON THIS PROJECT, EXCEPTING LIABILITY ARISING FROM THE SOLE NEGLIGENCE OF DESIGN PROFESSIONAL.

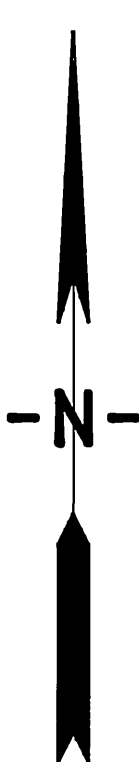


INDEXED 44 8-4-87
Underground Service Alert
Call: TOLL FREE
1-800-422-4133
TWO WORKING DAYS BEFORE YOU DIG

SOUTHERN CALIFORNIA GAS COMPANY CITY OF RIVERSIDE WATER SYSTEM APPROVED: <i>Richard V. Garcia</i> 3-16-87 DATE	PREPARED UNDER THE DIRECTION OF: <i>John W. Carthy</i> REGISTERED CIVIL ENGINEER NO. 17550 EXPIRATION DATE 6/30/89 DATE: 9/4/86 APPROVED BY: _____ DATE: _____	J F DAVIDSON ASSOCIATES, INC. CIVIL ENGINEERS • SURVEYORS • PLANNERS P.O. BOX 493 11200 SO. MT. VERNON AVE., #D 73-080 EL PASO, #103 RIVERSIDE, CA 92502 COLTON, CA 92324 PALM DESERT, CA 92260 (714) 686-0844 (714) 825-1082 (619) 346-5691	CITY OF RIVERSIDE, CALIFORNIA DEPARTMENT OF PUBLIC WORKS APPROVED BY: _____ DATE: _____ PRINCIPAL ENGINEER: <i>William D. Hardner</i> PARK DEPARTMENT DIRECTOR OF PUBLIC WORKS TRAFFIC DIVISION CHIEF P. W. ENGR. _____ DATE: 4-2-87	SEWER PLAN & PROFILE TRACT 20312 VIA VISTA DRIVE PROJECT NO. S-1451 SHEET 7 OF 3 FILE NO. 86-9213



30+00.00 MATCHLINE SEE SHEET NO. 7



PRIVATE ENGINEERING NOTE
 CONSTRUCTION CONTRACTOR AGREES THAT IN ACCORDANCE WITH GENERALLY ACCEPTED CONSTRUCTION PRACTICES, CONSTRUCTION CONTRACTOR WILL BE REQUIRED TO ASSUME SOLE AND COMPLETE RESPONSIBILITY FOR JOB SITE CONDITIONS DURING THE COURSE OF CONSTRUCTION OF THE PROJECT, INCLUDING SAFETY OF ALL PERSONS AND PROPERTY. THAT THIS REQUIREMENT SHALL BE MADE TO APPLY CONTINUOUSLY AND NOT BE LIMITED TO NORMAL WORKING HOURS, AND CONSTRUCTION CONTRACTOR FURTHER AGREES TO DEFEND, INDEMNIFY AND HOLD DESIGN PROFESSIONAL HARMLESS FROM ANY AND ALL LIABILITY, REAL OR ALLEGED, IN CONNECTION WITH THE PERFORMANCE OF WORK ON THIS PROJECT, EXCEPTING LIABILITY ARISING FROM THE SOLE NEGLIGENCE OF DESIGN PROFESSIONAL.



VIA VISTA DRIVE

INDEXED 8-4-87 Lfh

Underground Service Alert
 Call: TOLL FREE
 1-800-422-4133

TWO WORKING DAYS BEFORE YOU DIG

CITY OF RIVERSIDE
 WATER SYSTEM
 David V. Garcia
 3-16-87
 APPROVED DATE

SOUTHERN CALIFORNIA GAS COMPANY
 Reviewed By: AR Baughman
 Date: 3-13-87

PREPARED UNDER THE DIRECTION OF:
 John W. Canty
 REGISTERED CIVIL ENGINEER NO. 17660
 EXPIRATION DATE 6-30-89 DATE: 2/12/86
 APPROVED BY:

J F DAVIDSON ASSOCIATES, INC.
 CIVIL ENGINEERS • SURVEYORS • PLANNERS
 P.O. BOX 493 11200 SO. MT. VERNON AVE., #D 73-080 EL PASO, #103
 RIVERSIDE, CA 92502 COLTON, CA 92324 PALM DESERT, CA 92260
 (714) 686-0844 (714) 825-1082 (619) 346-5691
 SCALE: HORIZ: 1" = 40'
 VERT: 1" = 4'
 DATE: SEPT 1986
 BENCH MARK: CITY OF RIVERSIDE BENCH MARK #B-E
 1/4" NAIL AND CITY TAG IN TOP OF LARGE ROCK TO
 SLY SIDE ALESSANDRO BLVD 1.080 MILE SELY OF
 VIA VISTA DR. NEAR RR No. 775034 ELEV. 1502.195'

JFD ASSOCIATES
 DESIGNED BY: YZ DRAWN BY: I.C.T.E. CHECKED BY: J.P.

CITY OF RIVERSIDE, CALIFORNIA
 DEPARTMENT OF PUBLIC WORKS
 APPROVED BY: [Signature]
 DATE: 4-2-87

SEWER PLAN & PROFILE
 TRACT 20312
 VIA VISTA DRIVE
 PROJECT NO. S-1451
 SHEET 8 OF 8
 HORIZ. SCALE: 1" = 40' VERT. SCALE: 1" = 4' FILE NO. 80-9219