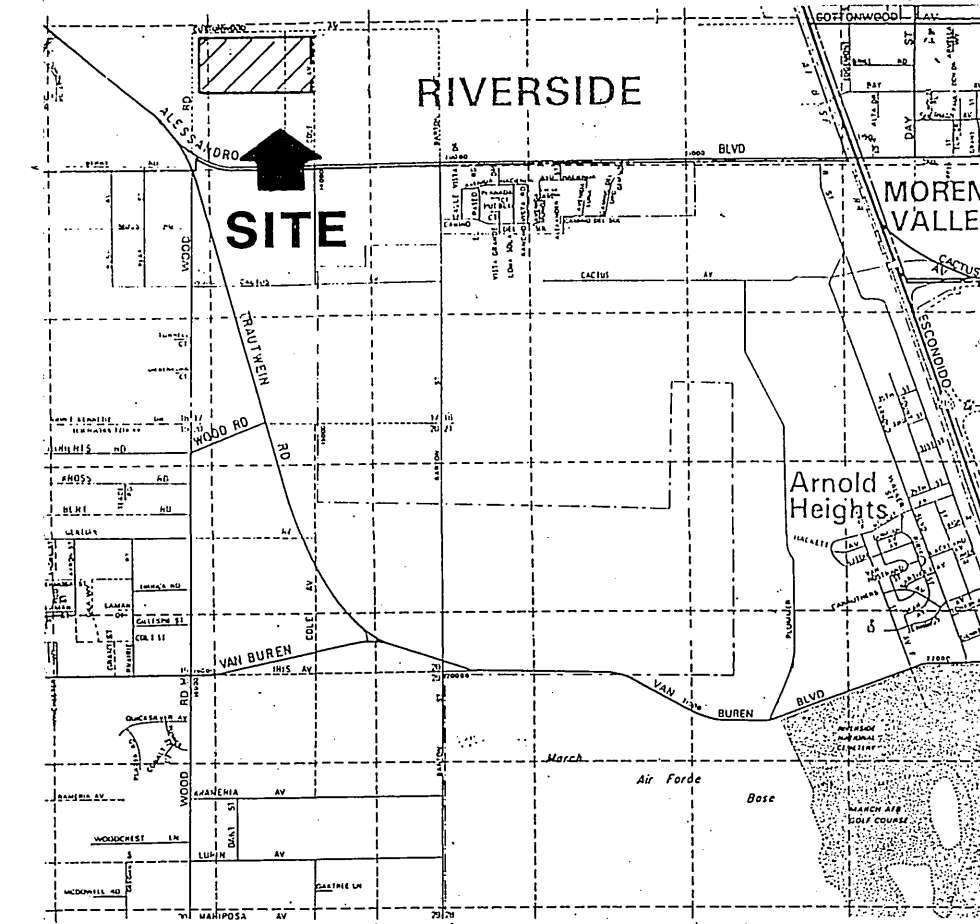
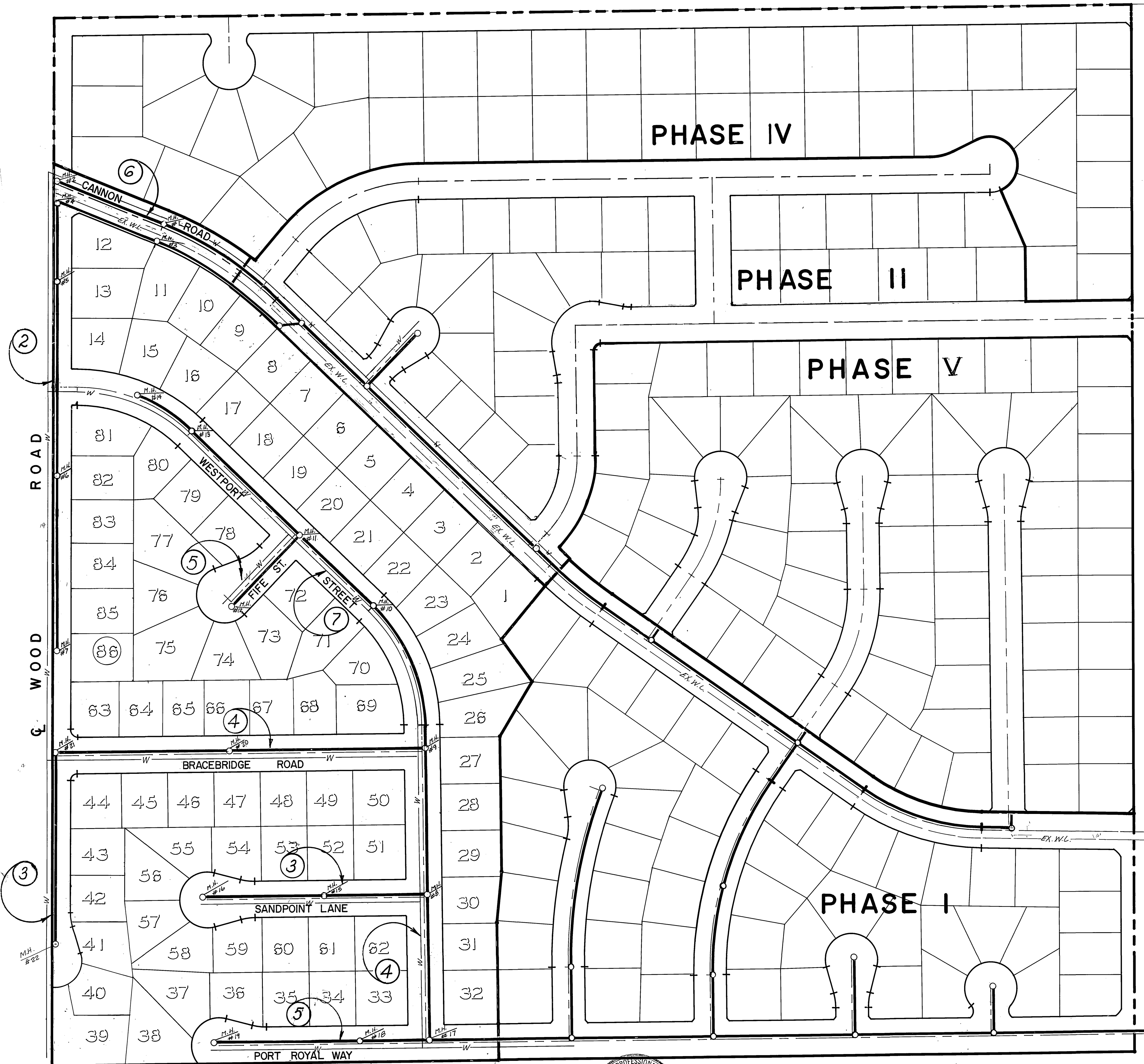


GENERAL NOTES

1. The private engineer signing these plans is responsible for the accuracy and acceptability of the work hereon. In the event of discrepancies arising during construction the private engineer signing the plans shall be responsible for determining an acceptable solution and revising the plans for approval by the city.
2. It shall be the responsibility of the contractor to clear the right-of-way in accordance with the provisions of law as it affects each utility including irrigation lines and appurtenances and at no cost to the city.
3. Construction shall be in accordance with the City of Riverside department of public works, standard drawings, standard drawing No. 10 and the standard Specifications for Public Works construction, current edition.
4. Location of laterals to be determined in the field at the direction of the owner. Avoid conflict with proposed and/or existing facilities.
5. Contractor is to verify existing sewer elevation prior to construction.
6. The sewer contractor shall adjust manholes to final grade after paving is completed.
7. No finished floor elevation shall be less than 4' above the sewer flow line at the point of connection without having a proper backwater valve installed in the lateral.
8. A plug wall shall be installed and will remain in place where the new sewer connects with the existing sewer until the new sewer is accepted by the City of Riverside.
9. Quantities shown are for information only and the City of Riverside is not responsible for their accuracy.
10. The developer shall be responsible for preserving or re-establishing and referencing survey monuments destroyed, disturbed or buried as a result of construction shown hereon.
11. All flagged elevations shall be staked in the field by the private engineer.
12. The contractor shall call in a location request to underground service alert (U.S.A.), phone 1-800-422-4133, two working days before digging. No construction permit will be issued by the Public Works Dept. involving excavation for underground facilities unless the applicant has been provided an inquiry identification number by U.S.A.



VICINITY MAP



ST. COLE

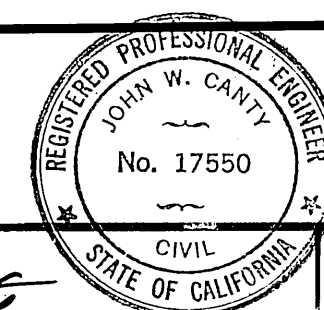
CONSTRUCTION NOTES

- ① Construct 8" V.C.P. sewer main.
- ② Construct 4" V.C.P. house laterals.
- ③ Construct M.H. per City of Riverside Standard No. 500.

QUANTITY

5,102.95	EA.
298	L.F.
22	EA.

PHASE III



Reviewed by Western Municipal Water District

PREPARED UNDER THE DIRECTION OF:

REGISTERED CIVIL ENGINEER NO. 17550  
EXPIRATION DATE 6-30-89 DATE: 3/12/87

J F DAVIDSON ASSOCIATES, INC.  
CIVIL ENGINEERS • SURVEYORS • PLANNERS

P.O. BOX 493 11200 SO. MI. VERNON AVE., #D 73-080 EL PASO, #103  
RIVERSIDE, CA 92502 COLTON, CA 92324 PALM DESERT, CA 92260  
(714) 686-0844 (714) 825-1082 (619) 346-5691



APPROVED BY:

DATE: JUNE 1986

SCALE: 1" = 100'

BENCH MARK:  
P.K. NAIL & CITY TAG TOP OF LARGE ROCK 70' SLY.  
ALESSANDRO & O. 60 MI. S.E.LY. OF VIA VISTA  
DR. NEAR P.P. # 775963-H. ELEVATION = 1502.195'

DESIGNED BY RLS DRAWN BY CMF CHECKED BY

CITY OF RIVERSIDE, CALIFORNIA  
DEPARTMENT OF PUBLIC WORKS

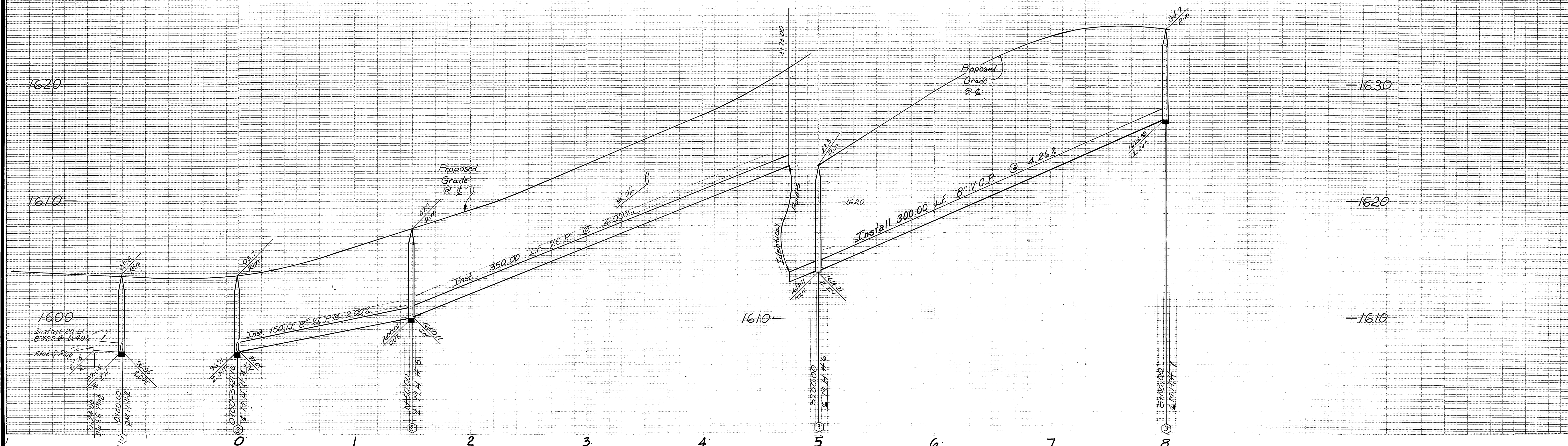
APPROVED BY: [Signature]  
PRINCIPAL ENGINEER  
TRAFFIC DIVISION  
CHIEF P. W. ENGR.  
DATE 4-13-87

TRACT NO. 21403-3  
SEWER INDEX SHEET  
PHASE III

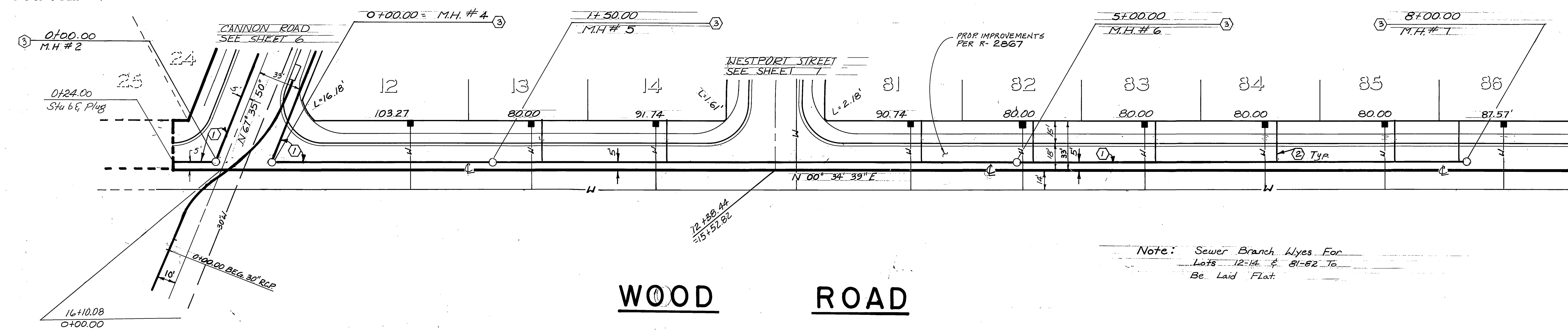
INDEX/CD  
PROJECT NO. S-1458  
SHEET 1 OF 7  
FILE NO. 86-9189(M)

HORIZ. SCALE: 1" = VERT. SCALE: 1" =

Chief Engineer, RCE 17984 Date 1-6-87



PHASE IV:



**WOOD ROAD**

PRIVATE ENGINEERING NOTE  
NOT REQUIRED BY GOVERNING AGENCY

CONSTRUCTION CONTRACTOR AGREES THAT IN ACCORDANCE WITH GENERALLY ACCEPTED CONSTRUCTION PRACTICES, CONSTRUCTION CONTRACTOR WILL BE REQUIRED TO ASSUME SOLE AND COMPLETE RESPONSIBILITY FOR JOB SITE CONDITIONS DURING THE COURSE OF CONSTRUCTION OF THE PROJECT, INCLUDING SAFETY OF ALL PERSONS AND PROPERTY. THAT THIS REQUIREMENT SHALL BE MADE TO APPLY CONTINUOUSLY AND NOT BE LIMITED TO NORMAL WORKING HOURS, AND CONSTRUCTION CONTRACTOR FURTHER AGREES TO DEFEND, INDEMNIFY AND HOLD DESIGN PROFESSIONAL HARMLESS FROM ANY AND ALL LIABILITY, REAL OR ALLEGED, IN CONNECTION WITH THE PERFORMANCE OF WORK ON THIS PROJECT, EXCEPTING LIABILITY ARISING FROM THE SOLE NEGLIGENCE OF DESIGN PROFESSIONAL.



**Underground Service Alert**  
Call: TOLL FREE  
**1 - 800 422 - 4133**  
TWO WORKING DAYS BEFORE YOU DIG

Reviewed by Western Municipal Water District  
*William D. Hardner*  
Chief Engineer, RCE 17984  
Date: 1-16-87

CITY OF RIVERSIDE / WATER SYSTEM  
APPROVED BY: *David V. Garcia*  
Date: 3/16/87

PREPARED UNDER THE DIRECTION OF:  
*John W. Canty*  
REGISTERED CIVIL ENGINEER NO. 177257  
EXPIRATION DATE: 6/30/89 DATE: 3/12/87  
APPROVED BY: \_\_\_\_\_ DATE: \_\_\_\_\_

**J.F. DAVIDSON ASSOCIATES, INC.**  
CIVIL ENGINEERS - SURVEYORS - PLANNERS  
P.O. BOX 493 11200 S MT VERNON RD 73-080 EL PASEO #103  
RIVERSIDE CA 92502 COLTON CA 92324 PALM DESERT CA 92260  
(714) 686-0844 (714) 825-1082 (619) 346-5691  
BENCHMARK: PK. NAIL & CITY TAG TOP OF LARGE ROCK 70' SLY. ALESSANDRO & O. 60 MI. S.E. LY. OF VIA VISTA DR. NEAR P.P. # 775963-H. ELEVATION = 1502.195

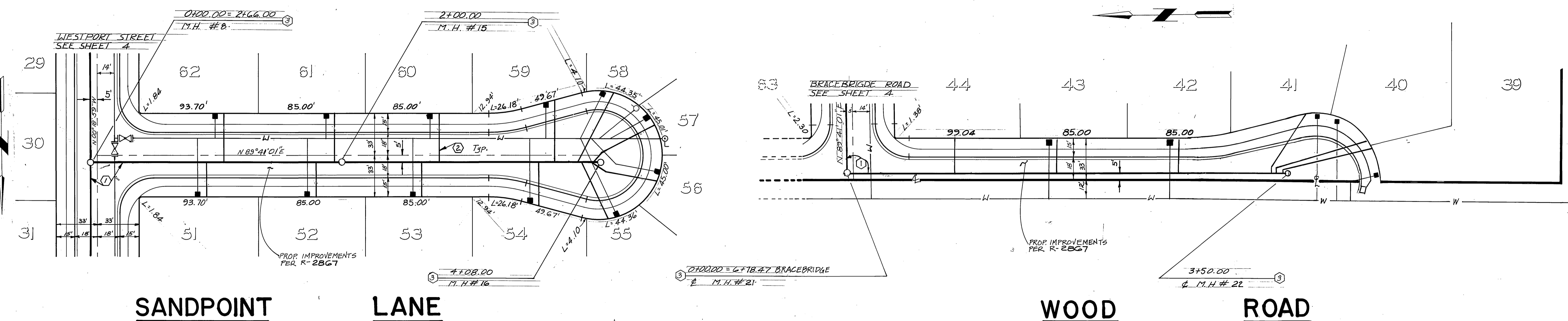
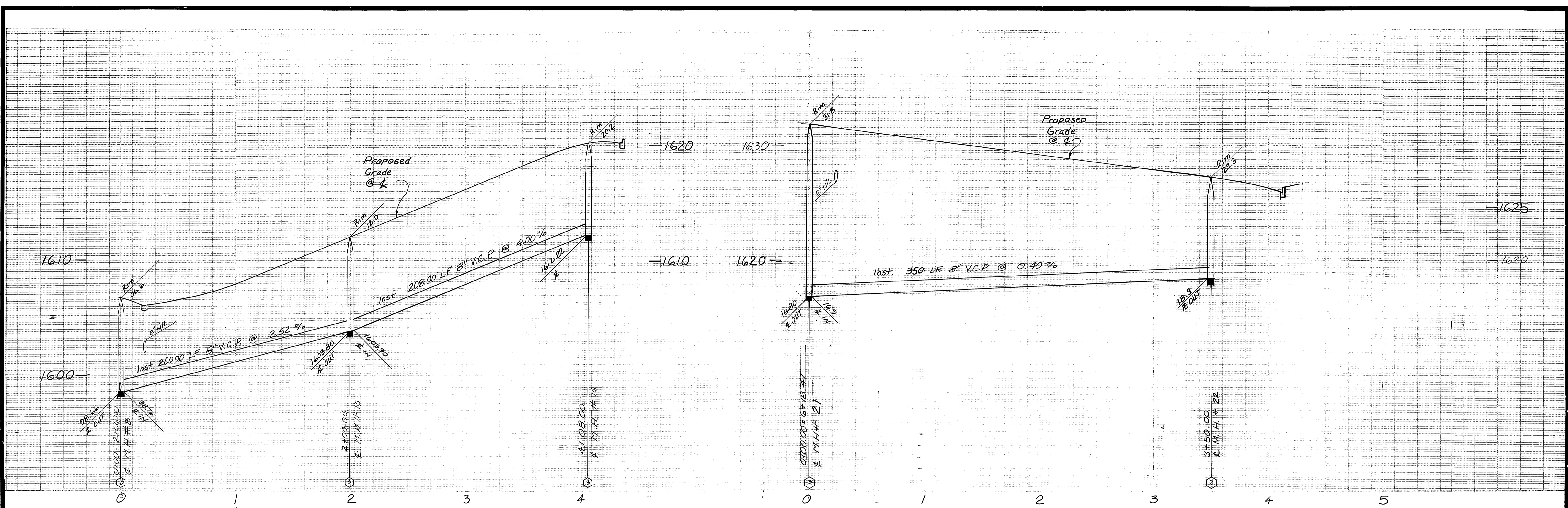
MARK	REVISIONS	APPR. DATE

DESIGNED BY: RLS DRAWN BY: ANG. CHECKED BY: GOLDI

**CITY OF RIVERSIDE**  
PUBLIC WORKS DEPARTMENT  
APPROVED BY: \_\_\_\_\_ DATE: \_\_\_\_\_  
PRINCIPAL ENGINEER  
TRAFFIC DIVISION  
CHIEF P. W. ENGINEER  
DATE: 4-13-87

TRACT NO. 21403-3  
SEWER PLAN & PROFILE  
WOOD ROAD 00+00 TO 8+00  
HORIZ. SCALE: 1" = 40' VERT. SCALE: 1" = 4'

ACCOUNT NO. S-1458  
SHEET 2 OF 7  
INDEX/CD  
86-9189 (M)



PRIVATE ENGINEERING NOTE  
NOT REQUIRED BY GOVERNING AGENCY

CONSTRUCTION CONTRACTOR AGREES THAT IN ACCORDANCE WITH GENERALLY ACCEPTED CONSTRUCTION PRACTICES, CONSTRUCTION CONTRACTOR WILL BE REQUIRED TO ASSUME SOLE AND COMPLETE RESPONSIBILITY FOR JOB SITE CONDITIONS DURING THE COURSE OF CONSTRUCTION OF THE PROJECT, INCLUDING SAFETY OF ALL PERSONS AND PROPERTY. THAT THIS REQUIREMENT SHALL BE MADE TO APPLY CONTINUOUSLY AND NOT BE LIMITED TO NORMAL WORKING HOURS, AND CONSTRUCTION CONTRACTOR FURTHER AGREES TO DEFEND, INDEMNIFY AND HOLD DESIGN PROFESSIONAL HARMLESS FROM ANY AND ALL LIABILITY, REAL OR ALLEGED, IN CONNECTION WITH THE PERFORMANCE OF WORK ON THIS PROJECT, EXCEPTING LIABILITY ARISING FROM THE SOLE NEGLIGENCE OF DESIGN PROFESSIONAL.



**Underground Service Alert**  
Call: TOLL FREE  
1 - 800  
422 - 4133  
TWO WORKING DAYS BEFORE YOU DIG

Reviewed by Western Municipal  
Water District  
Date: 1.6.87  
Chief Engineer, RCE 17984

PREPARED UNDER THE DIRECTION OF:  
*Cal W. Canty*  
REGISTERED CIVIL ENGINEER NO. 17550  
EXPIRATION DATE 6/30/89 DATE: 3/12/87  
APPROVED BY: DATE:

**J.F. DAVIDSON ASSOCIATES, INC.**  
CIVIL ENGINEERS - SURVEYORS - PLANNERS  
P.O. BOX 493 11200 S MT VERNON RD 73-080 EL PASEO #103  
RIVERSIDE CA 92502 COLTON CA 92324 PALM DESERT CA 92260  
(714) 686-0844 (714) 825-1082 (619) 346-5591  
BENCH MARK:  
P.K. NAIL & CITY TAG TOP OF LARGE ROCK 70' S.L.Y.  
ALESSANDRO & O.60 MI. S.E.L.Y. OF VIA VISTA  
DR. NEAR P.P. # 77 5963-H. ELEVATION = 1502.195

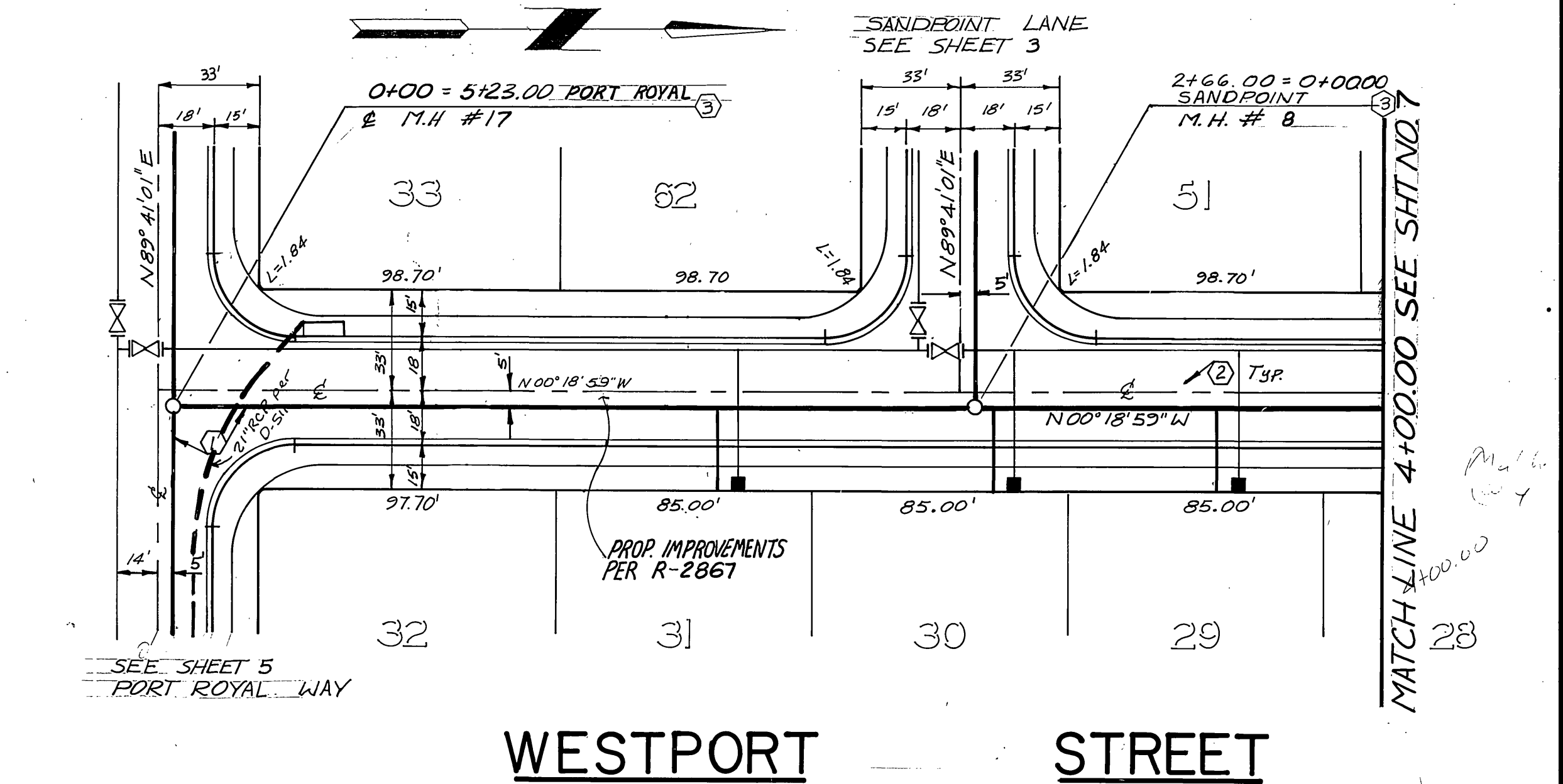
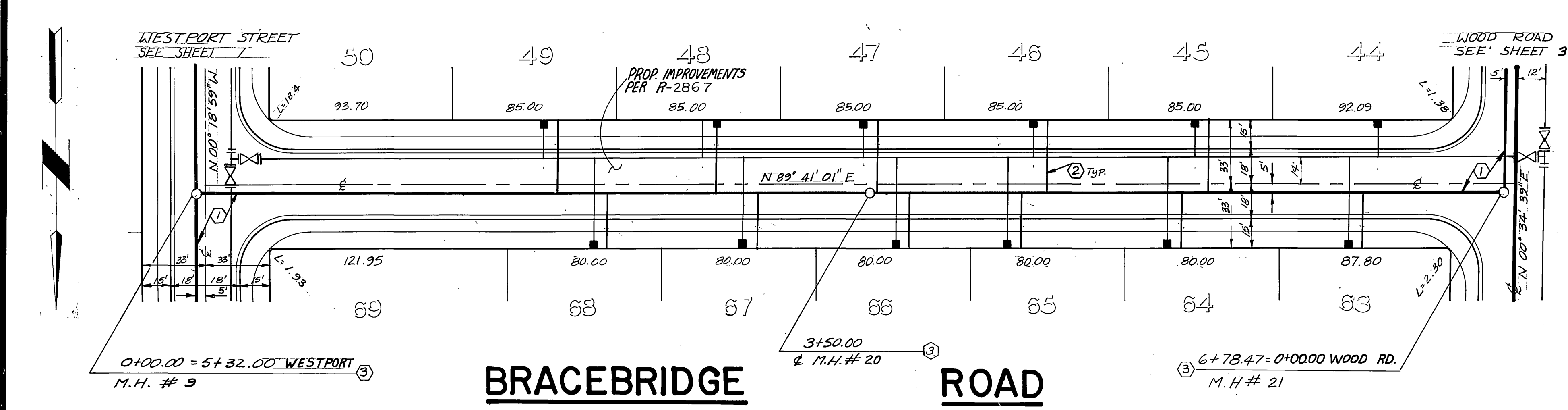
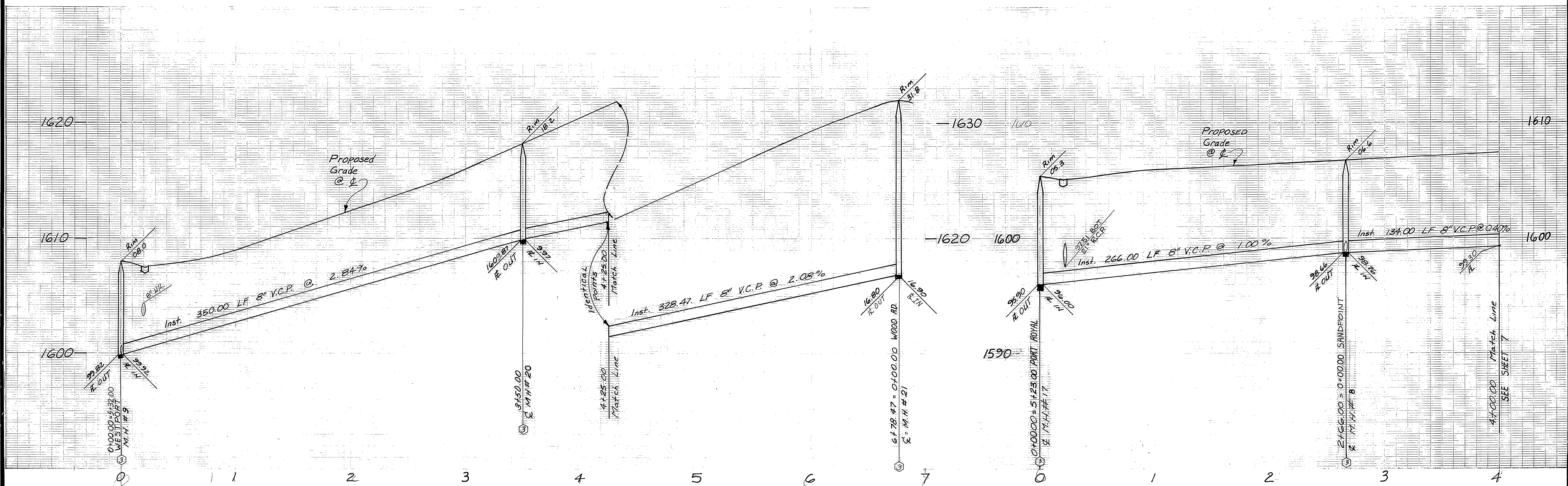
MARK	REVISIONS	APPR.	DATE

**CITY OF RIVERSIDE**  
PUBLIC WORKS DEPARTMENT  
APPROVED BY: DATE BY:  
PRINCIPAL ENGINEER  
PARK DEPARTMENT  
TRAFFIC DIVISION  
CHIEF P.W. ENGINEER  
DESIGNED BY: RLS DRAWN BY: ANG. CHECKED BY: GOLDI

APPROVED BY: DATE BY:  
PUBLIC WORKS DIRECTOR  
DATE: 4.13.87

TRACT NO. 21403-3  
SEWER PLAN & PROFILE  
SANDPOINT LANE  
WOOD ROAD  
HORIZ. SCALE: 1" = 40' VERT. SCALE: 1" = 4'

INDEX/CD  
ACCOUNT NO.  
S-1458  
SHEET 3 OF 7  
86-9189 (M)



PRIVATE ENGINEERING NOTE  
NOT REQUIRED BY GOVERNING AGENCY

CONSTRUCTION CONTRACTOR AGREES THAT IN ACCORDANCE WITH GENERALLY ACCEPTED CONSTRUCTION PRACTICES, CONSTRUCTION CONTRACTOR WILL BE REQUIRED TO ASSUME SOLE AND COMPLETE RESPONSIBILITY FOR JOB SITE CONDITIONS DURING THE COURSE OF CONSTRUCTION OF THE PROJECT, INCLUDING SAFETY OF ALL PERSONS AND PROPERTY. THAT THIS REQUIREMENT SHALL BE MADE TO APPLY CONTINUOUSLY AND NOT BE LIMITED TO NORMAL WORKING HOURS, AND CONSTRUCTION CONTRACTOR FURTHER AGREES TO DEFEND, INDEMNIFY AND HOLD DESIGN PROFESSIONAL HARMLESS FROM ANY AND ALL LIABILITY, REAL OR ALLEGED, IN CONNECTION WITH THE PERFORMANCE OF WORK ON THIS PROJECT, EXCEPTING LIABILITY ARISING FROM THE SOLE NEGLIGENCE OF DESIGN PROFESSIONAL.

Underground Service Alert

Call: TOLL FREE  
**1 - 800  
422 - 4133**

THO WORKING DAYS BEFORE YOU DIG

Reviewed by Western Municipal  
Water District  
Date: 1.6.87  
Chief Engineer, RCE 17984



PREPARED UNDER THE DIRECTION OF  
*John W. Canty*  
REGISTERED CIVIL ENGINEER NO. 17350  
EXPIRATION DATE 6/30/89 DATE 3/12/87  
APPROVED BY: DATE:

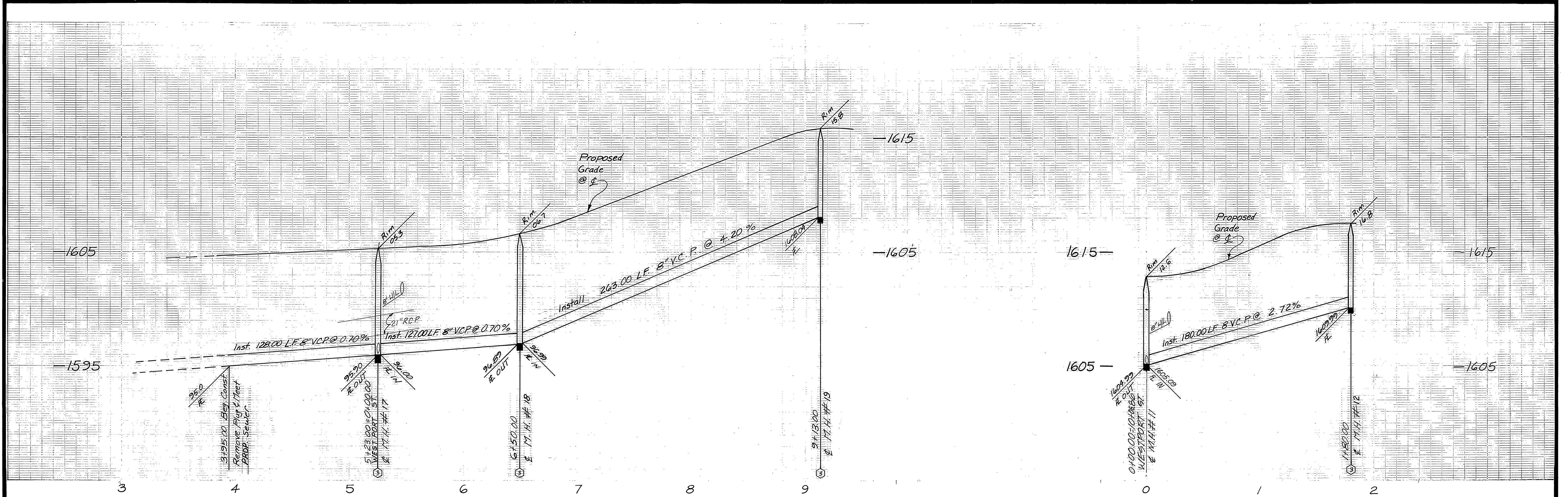
**J.F. DAVIDSON ASSOCIATES, INC.**  
CIVIL ENGINEERS - SURVEYORS - PLANNERS  
P.O. BOX 493 11200 S MT VERNON RD 73-080 EL PASO #103  
RIVERSIDE CA 92502 COLTON CA 92324 PALM DESERT CA 92260  
(714) 686-0844 (714) 825-1082 (818) 346-5631  
BENCHMARK:  
P.K. NAIL & CITY TAG TOP OF LARGE ROCK 70' SLY. ALESSANDRO 80.60 MI. S.E.LY. OF VIA VISTA DR. NEAR P.P. # 77 5963-H. ELEVATION = 1502.195

MARK	REVISIONS	APPR. DATE

**CITY OF RIVERSIDE**  
PUBLIC WORKS DEPARTMENT  
APPROVED BY: DATE BY  
PRINCIPAL ENGINEER  
PARK DEPARTMENT  
TRAFFIC DIVISION  
CHIEF P.W. ENGINEER  
APPROVED BY: *William S. Gardner*  
PUBLIC WORKS DIRECTOR  
DATE 4.13.87

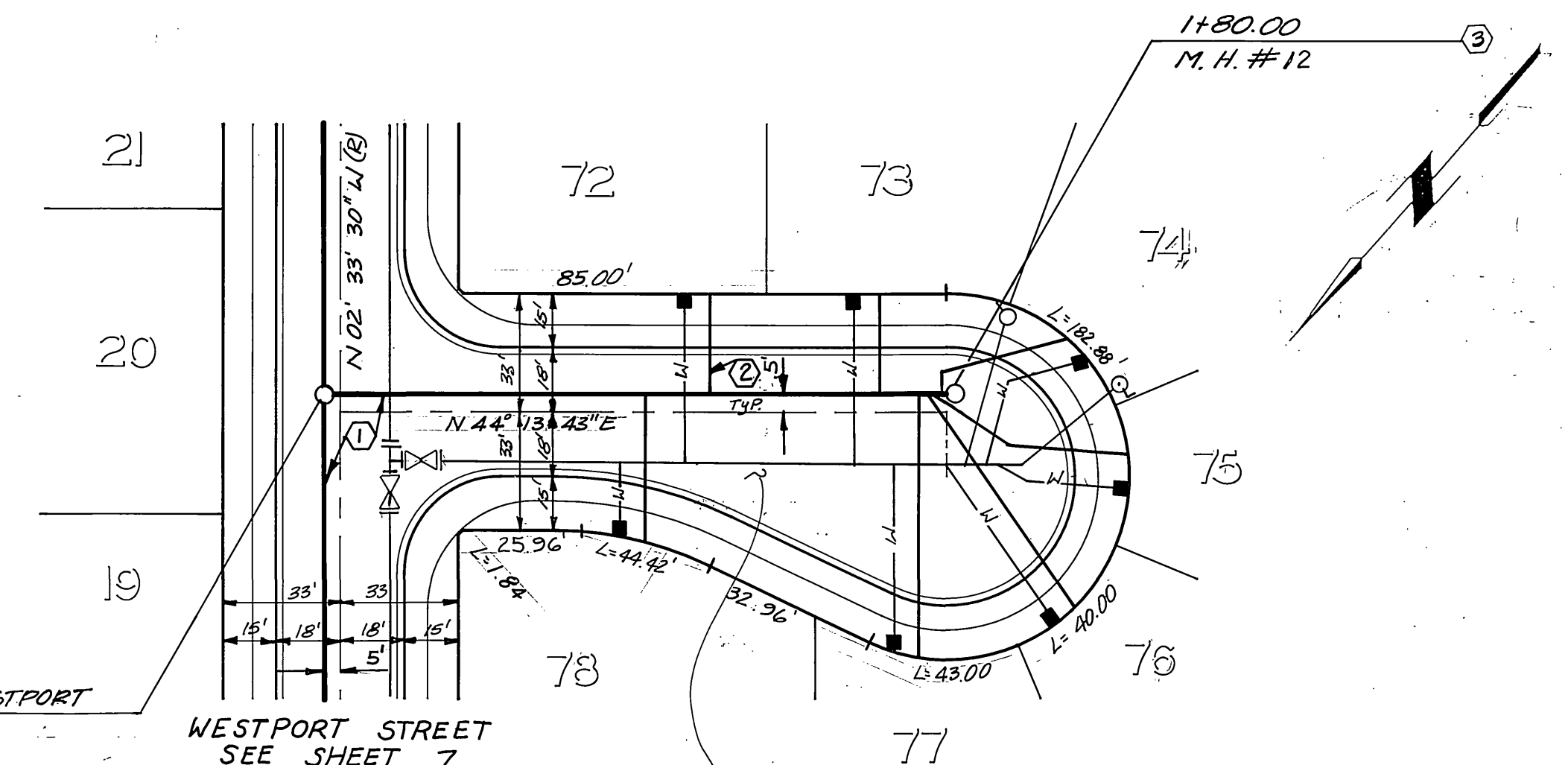
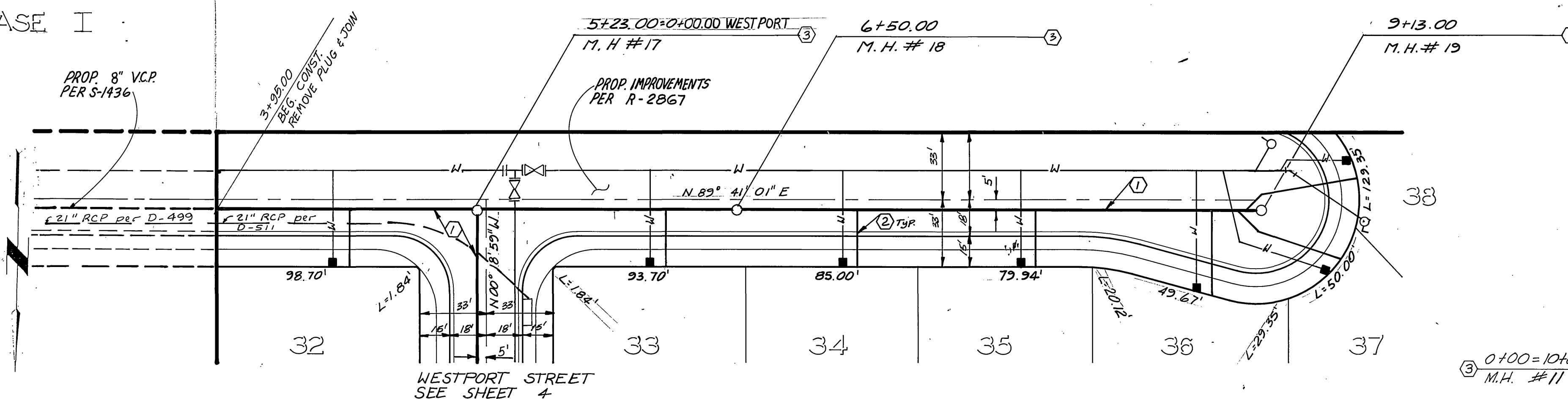
**TRACT NO. 21403-3**  
SEWER PLAN & PROFILE  
BRACEBRIDGE RD.  
WESTPORT STREET  
HORIZ. SCALE: 1" = 40'  
VERT. SCALE: 1" = 4'

INDEX/CD  
ACCOUNT NO.  
**S-1458**  
SHEET **4** OF **7**  
86-9189 (M)



TR. 21434

PHASE I



PORT ROYAL WAY

FIFE COURT

PRIVATE ENGINEERING NOTE  
(NOT REQUIRED BY GOVERNING AGENCY)

CONSTRUCTION CONTRACTOR AGREES THAT IN ACCORDANCE WITH GENERALLY ACCEPTED CONSTRUCTION PRACTICES, CONSTRUCTION CONTRACTOR WILL BE REQUIRED TO ASSUME SOLE AND COMPLETE RESPONSIBILITY FOR JOB SITE CONDITIONS DURING THE COURSE OF CONSTRUCTION OF THE PROJECT, INCLUDING SAFETY OF ALL PERSONS AND PROPERTY; THAT THIS REQUIREMENT SHALL BE MADE TO APPLY CONTINUOUSLY AND NOT BE LIMITED TO NORMAL WORKING HOURS, AND CONSTRUCTION CONTRACTOR FURTHER AGREES TO DEFEND, INDEMNIFY AND HOLD DESIGN PROFESSIONAL HARMLESS FROM ANY AND ALL LIABILITY, REAL OR ALLEGED, IN CONNECTION WITH THE PERFORMANCE OF WORK ON THIS PROJECT, EXCEPTING LIABILITY ARISING FROM THE SOLE NEGLIGENCE OF DESIGN PROFESSIONAL.

**Underground Service Alert**  
Call: TOLL FREE  
1 - 800  
422 - 4133  
TWO WORKING DAYS BEFORE YOU DIG

Reviewed by Western Municipal Water District



PREPARED UNDER THE DIRECTION OF:  
*J. Davidson*  
REGISTERED CIVIL ENGINEER NO. 17550  
EXPIRATION DATE 6/30/89 DATE 3/12/87  
APPROVED BY: \_\_\_\_\_ DATE: \_\_\_\_\_

**J.F. DAVIDSON ASSOCIATES, INC.**  
CIVIL ENGINEERS - SURVEYORS - PLANNERS  
P.O. BOX 493 11200 S MT VERNON RD 73-080 EL PASO #103  
RIVERSIDE CA 92502 COLTON CA 92324 PALM DESERT CA 92260  
(714) 686-0844 (714) 825-1082 (619) 346-5691  
BENCHMARK: P.K. NAIL & CITY TAG TOP OF LARGE ROCK 70' SLY. ALESSANDRO & O.60 MI. S.E. LY. OF VIA VISTA DR. NEAR P.P. #7 5963-H. ELEVATION = 1502.195

**CITY OF RIVERSIDE**  
PUBLIC WORKS DEPARTMENT  
APPROVED BY: \_\_\_\_\_ DATE: \_\_\_\_\_  
PRINCIPAL ENGINEER  
PARK DEPARTMENT  
TRAFFIC DIVISION  
CHIEF P.W. ENGINEER  
APPROVED BY: *William S. Gardner*  
PUBLIC WORKS DIRECTOR  
DATE 4.13.87

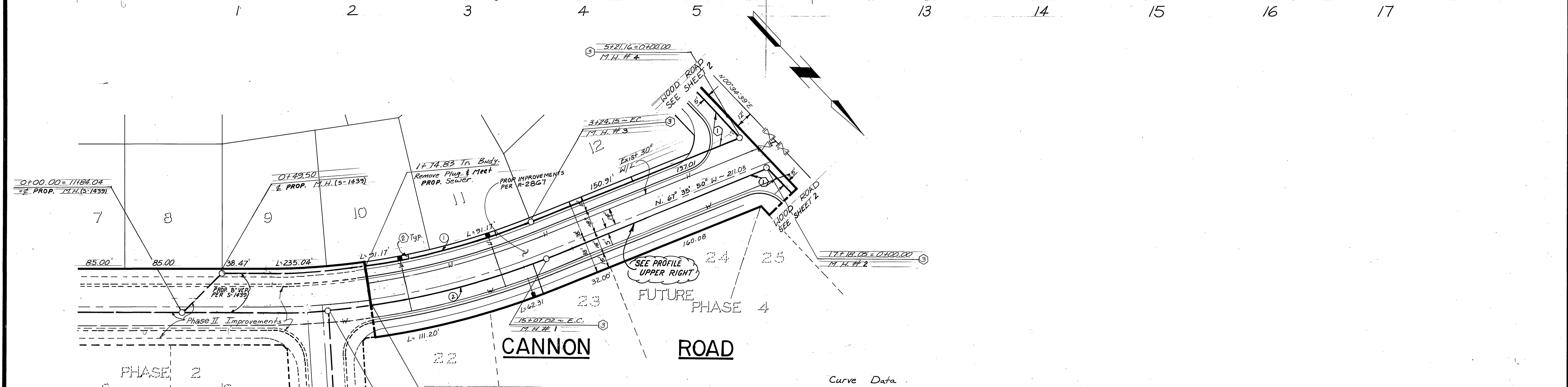
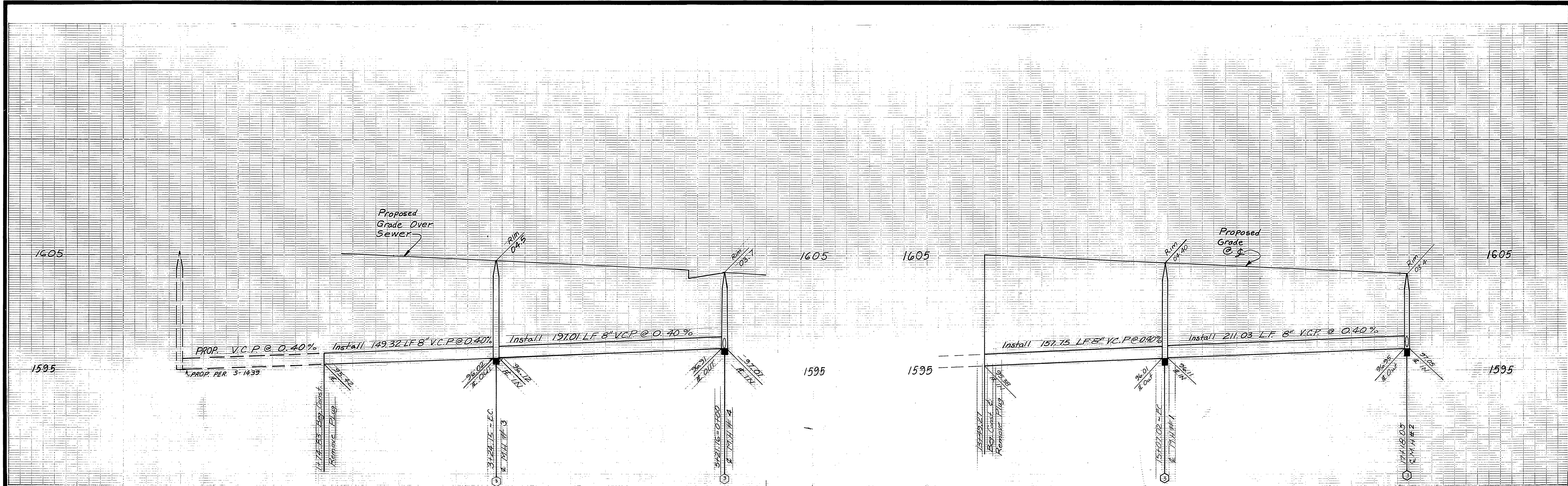
**TRACT NO. 21403-3**  
SEWER PLAN & PROFILE  
PORT ROYAL WY.  
FIFE CT.

INDEX/CD  
ACCOUNT NO.  
**S-1458**  
SHEET **5** OF **7**  
86-9189 (M)

*J.W. Hans*  
Chief Engineer, RCE 17984 Date 1.6.87

DESIGNED BY RLS DRAWN BY ANG CHECKED BY GOLDI

HORIZ. SCALE: 1" = 40' VERT. SCALE: 1" = 4'



Curve Data

No.	R	Δ	L	T
①	620	13°47'54"	149.32'	75.02'
②	655	13°47'54"	157.75'	79.26'

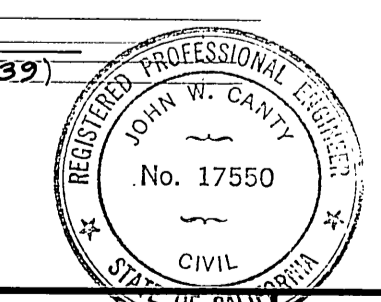
**PRIVATE ENGINEERING NOTE**  
 NOT REQUIRED BY GOVERNING AGENCY

CONSTRUCTION CONTRACTOR AGREES THAT IN ACCORDANCE WITH GENERALLY ACCEPTED CONSTRUCTION PRACTICES, CONSTRUCTION CONTRACTOR WILL BE REQUIRED TO ASSUME SOLE AND COMPLETE RESPONSIBILITY FOR JOB SITE CONDITIONS DURING THE COURSE OF CONSTRUCTION OF THE PROJECT, INCLUDING SAFETY OF ALL PERSONS AND PROPERTY; THAT THIS REQUIREMENT SHALL BE MADE TO APPLY CONTINUOUSLY AND NOT BE LIMITED TO NORMAL WORKING HOURS, AND CONSTRUCTION CONTRACTOR FURTHER AGREES TO DEFEND, INDEMNIFY AND HOLD DESIGN PROFESSIONAL HARMLESS FROM ANY AND ALL LIABILITY, REAL OR ALLEGED, IN CONNECTION WITH THE PERFORMANCE OF WORK ON THIS PROJECT, EXCEPTING LIABILITY ARISING FROM THE SOLE NEGLIGENCE OF DESIGN PROFESSIONAL.

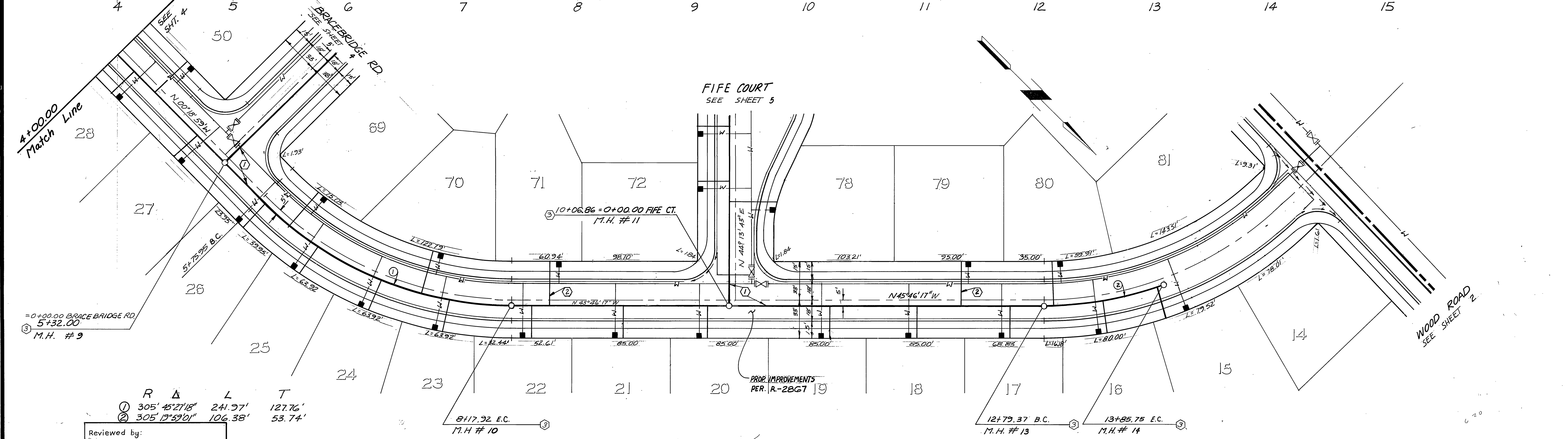
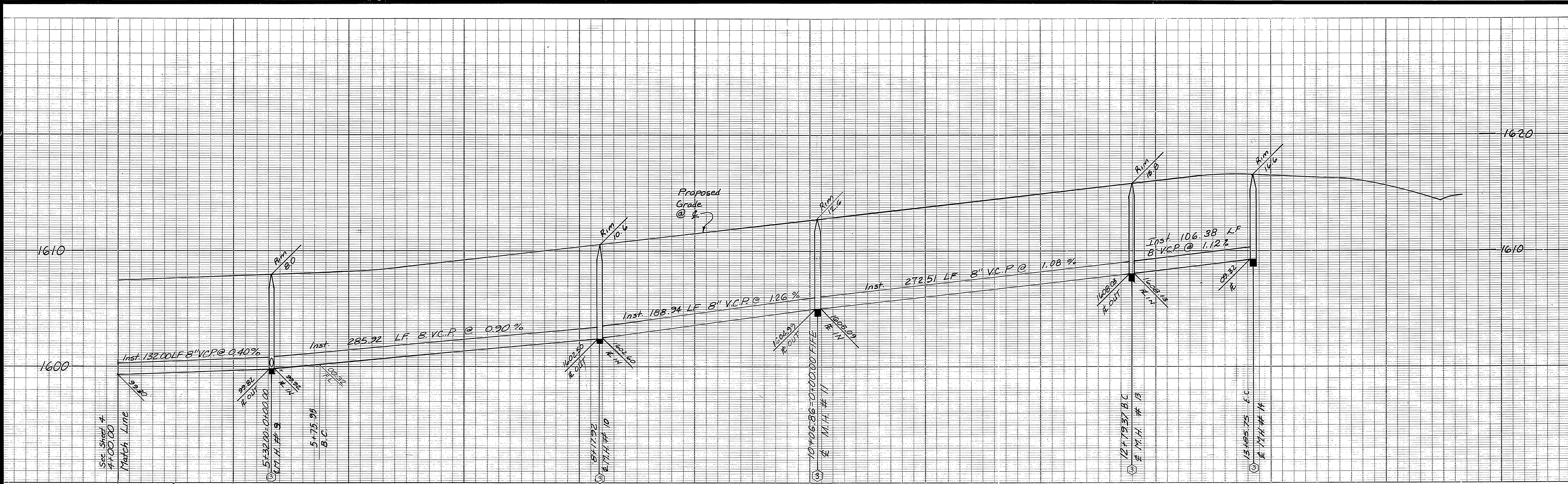
**Underground Service Alert**

Call: TOLL FREE  
**1-800-422-4133**

TWO WORKING DAYS BEFORE YOU DIG



Reviewed by Western Municipal Water District Chief Engineer, RCE 17984 Date: 1-6-87	CITY OF RIVERSIDE WATER SYSTEM Approved by: <i>David V. Garcia</i> Date: 3/16/87	PREPARED UNDER THE DIRECTION OF: <i>John W. Canty</i> REGISTERED CIVIL ENGINEER NO. 17550 EXPIRATION DATE 6/30/89 DATE 3/12/87 APPROVED BY: _____ DATE: _____	<b>J.F. DAVIDSON ASSOCIATES, INC.</b> CIVIL ENGINEERS - SURVEYORS - PLANNERS P.O. BOX 493 11200 S MT VERNON RD. 73-080 EL PASO #103 RIVERSIDE CA 92502 COLTON CA 92324 PALM DESERT CA 92260 (714) 686-0844 (714) 825-1082 (619) 346-5691 BENCHMARK: P.K. NAIL & CITY TAG TOP OF LARGE ROCK 70' SLY. ALESSANDRO & O.60 MI. S.E.LY. OF VIA VISTA DR. NEAR P.P. # 775963-H. ELEVATION = 1502.195'	<b>CITY OF RIVERSIDE</b> PUBLIC WORKS DEPARTMENT APPROVED BY: _____ DATE: _____ PRINCIPAL ENGINEER PARK DEPARTMENT TRAFFIC DIVISION CHIEF P.W. ENGINEER DESIGNED BY: RLS DRAWN BY: ANG CHECKED BY: GOLDI	<b>CITY OF RIVERSIDE</b> PUBLIC WORKS DEPARTMENT APPROVED BY: <i>William D. Gardner</i> PUBLIC WORKS DIRECTOR DATE: 4-13-87	<b>TRACT NO. 21403-3</b> <b>SEWER PLAN &amp; PROFILE</b> <b>CANNON ROAD</b> HORIZ. SCALE: 1" = 40' VERT. SCALE: 1" = 4'	ACCOUNT NO. <b>S-1458</b> <b>6</b> OF <b>7</b> SHEET 86-9189 (M)
---	--	---	---	---	---	--	--

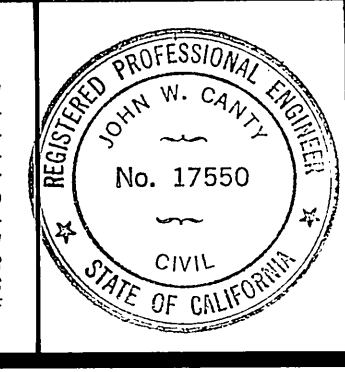


**WESTPORT STREET**

Reviewed by: WESTERN MUNICIPAL WATER DISTRICT  
 Chief Engineer RCE 17984 Date: 1.6.87

**Underground Service Alert**  
 Call: TOLL FREE  
 1-800-422-4133  
 TWO WORKING DAYS BEFORE YOU DIG

**PRIVATE ENGINEERING NOTE**  
 CONSTRUCTION CONTRACTOR AGREES THAT IN ACCORDANCE WITH GENERALLY ACCEPTED CONSTRUCTION PRACTICES, CONSTRUCTION CONTRACTOR WILL BE REQUIRED TO ASSUME SOLE AND COMPLETE RESPONSIBILITY FOR JOB SITE CONDITIONS DURING THE COURSE OF CONSTRUCTION OF THE PROJECT, INCLUDING SAFETY OF ALL PERSONS AND PROPERTY. THAT THIS REQUIREMENT SHALL BE MADE TO APPLY CONTINUOUSLY AND NOT BE LIMITED TO NORMAL WORKING HOURS, AND CONSTRUCTION CONTRACTOR FURTHER AGREES TO DEFEND, INDEMNIFY AND HOLD DESIGN PROFESSIONAL HARMLESS FROM ANY AND ALL LIABILITY, REAL OR ALLEGED, IN CONNECTION WITH THE PERFORMANCE OF WORK ON THIS PROJECT, EXCEPTING LIABILITY ARISING FROM THE SOLE NEGLIGENCE OF DESIGN PROFESSIONAL.



PREPARED UNDER THE DIRECTION OF:  
*John W. Canty*  
 REGISTERED CIVIL ENGINEER NO. 17550  
 EXPIRATION DATE: 6/30/83 DATE: 3/12/87  
 APPROVED BY: \_\_\_\_\_ DATE: \_\_\_\_\_

**J.F. DAVIDSON ASSOCIATES, INC.**  
 CIVIL ENGINEERS • SURVEYORS • PLANNERS  
 P.O. BOX 493 11200 SO. MT. VERNON AVE. #D 73-080 EL PASO, #103  
 RIVERSIDE, CA 92502 COLTON, CA 92324 PALM DESERT, CA 92260  
 (714) 825-1082 (714) 825-1082 (619) 346-5691

MARK	REVISIONS	APPR.	DATE

DESIGNED BY R.L.S. DRAWN BY ANG. CHECKED BY GOLDI.

**CITY OF RIVERSIDE, CALIFORNIA**  
 DEPARTMENT OF PUBLIC WORKS

APPROVED BY: \_\_\_\_\_ BY: \_\_\_\_\_ DATE: \_\_\_\_\_  
 PRINCIPAL ENGINEER  
 PARK DEPARTMENT  
 TRAFFIC DIVISION  
 CHIEF P.W. ENGR.

APPROVED BY: *William D. Gardner*  
 DIRECTOR OF PUBLIC WORKS

DATE: 4.13.87

**TRACT NO. 21403-3**  
**SEWER PLAN & PROFILE**  
**WESTPORT STREET**

PROJECT NO. **S-1458**  
 SHEET **7** OF **7**  
 FILE NO. 86-9189 (M)

HORIZ. SCALE: 1" = 40'  
 VERT. SCALE: 1" = 4'