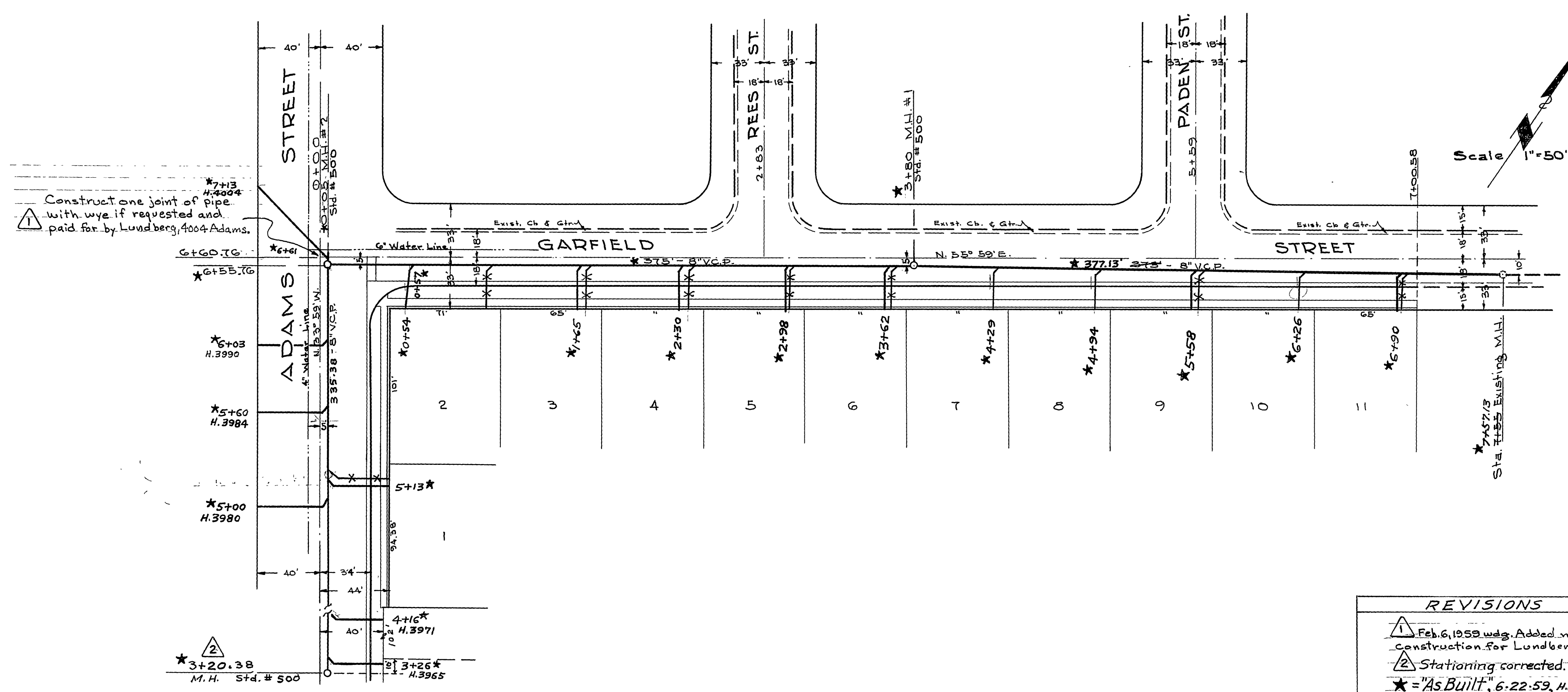
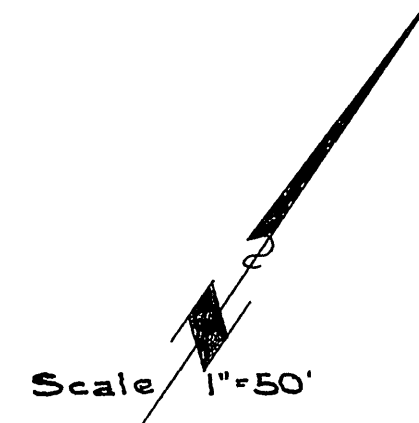


SCALE: HORIZ. 1"=50'
 VERT. 1"=5'



Construct one joint of pipe with wye if requested and paid for by Lundberg, 4004 Adams.



B.M.
 P.K. nail in Nly. curb of Garfield St.
 100' E. of Adams St.
 Elev. 778.19

NOTE: House connections to be located in field.

REVISIONS	
△	Feb. 6, 1959 wdg. Added note on construction for Lundberg.
△	Stationing corrected. 5+25.59 H.B.
★	"As Built", 6-22-59, H.B.

DONALD J. McKEE, LIC. SURVEYOR
 L.S. No. 1825
 RIVERSIDE, CALIFORNIA
 Approved *Donald J. McKee* 10/14/58

CITY OF RIVERSIDE, CALIFORNIA
 DEPARTMENT OF PUBLIC WORKS

SEWER PLAN & PROFILE
RIVIERA ESTATES
 GARFIELD & ADAMS STREETS

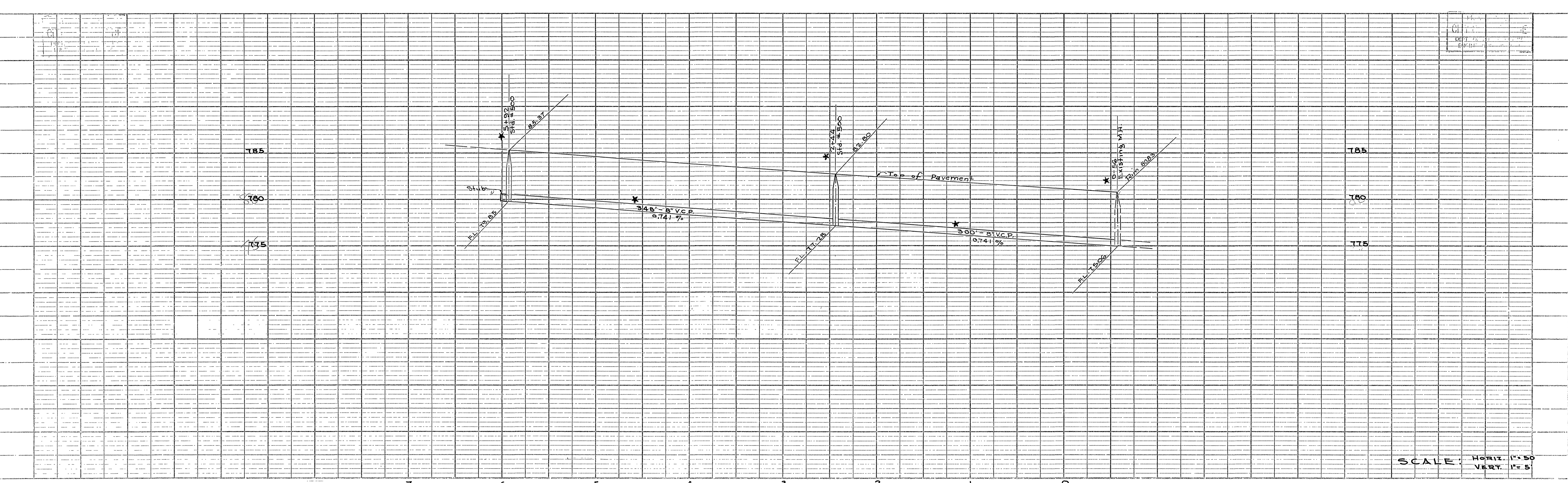
Horiz. Scale 1"=50' Vert. Scale 1"=5'

Approved by
James L. Lofgren
 Director of Public Works
 Date 10/23/58

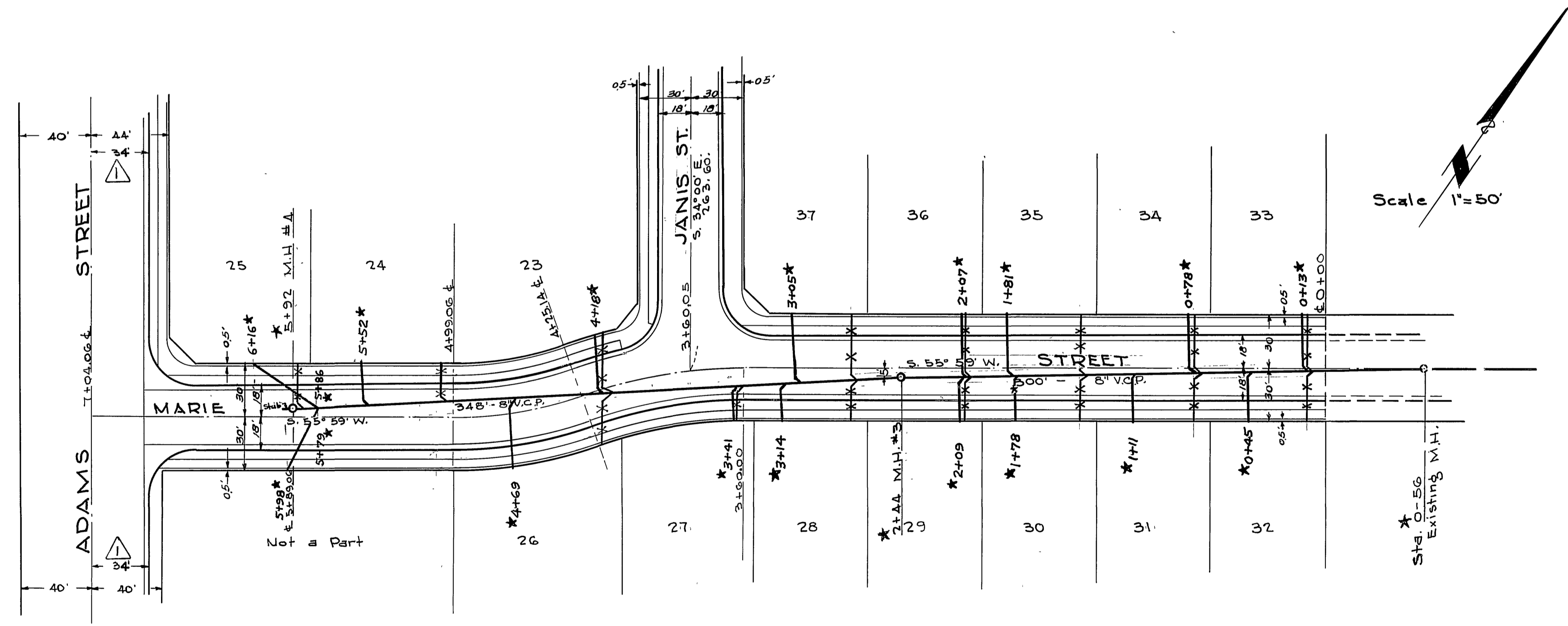
NO. **5-146**
 SHEET 1 OF 3

DATE	BY	REVISION

DATE	BY	REVISION



SCALE: HORIZ. 1"=50'
VERT. 1"=5'



B.M.
P.K. nail in Nly. curb of Garfield St.
100 E. of Adams St.
Elev. 778.19

NOTE: House connections to be located in field.

DONALD J. MCKEE, LIC. SURVEYOR
L.S. No. 1825
RIVERSIDE, CALIFORNIA
APPROVED *Donald J. McKee* 10/22/58 1958

CITY OF RIVERSIDE, CALIFORNIA
DEPARTMENT OF PUBLIC WORKS

SEWER PLAN & PROFILE
RIVIERA ESTATES
MARIE STREET

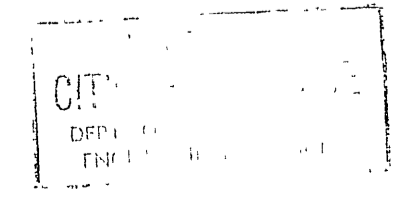
Horiz Scale 1"=50' Vert. Scale 1"=5'

Approved by
James J. Tolaban **NO. 5-146**
Director of Public Works
Date *10/22/58* SHEET 2 OF 3

REVISIONS		
MARK	DATE	DESCRIPTION
△	5-20-59	& to Cb. face, Adams St. MB.
★	6-22-58	"As Built", H. Ball

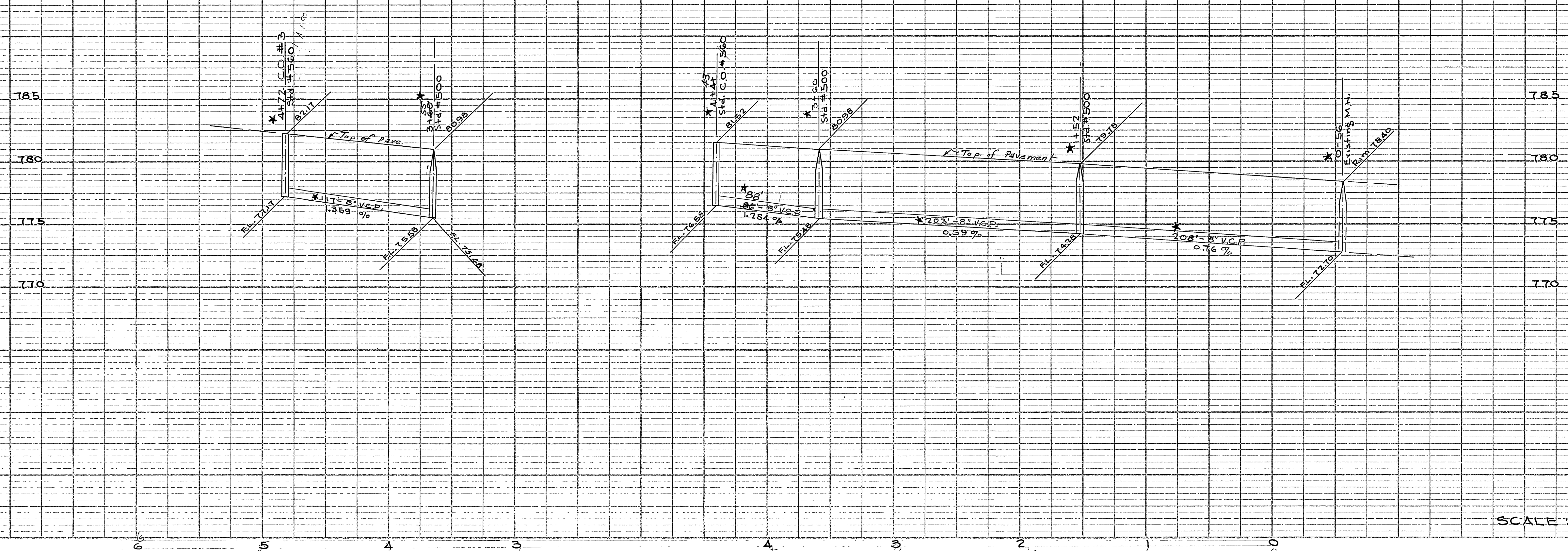
PROFILE	SURVEYED	BY	SCALE
DATE BOOK	PLATTED		
B.M. NUMBER	RECORDED		
STRUCTURE IDENTIFYING CHRG.			

PLAN	CHECKED	BY
WRITE BOOK	PLATTED	
DATE	RECORDED	
BY	STRUCTURE IDENTIFYING CHRG.	

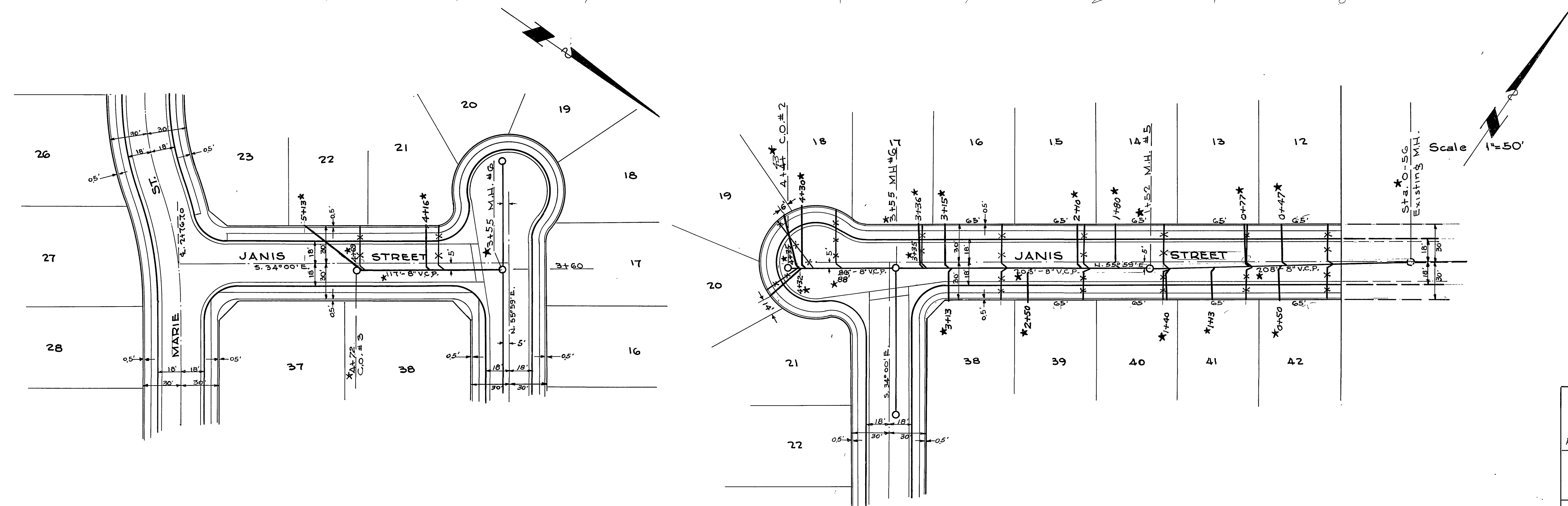


CITY OF RIVERSIDE
 DEPT. OF PUBLIC WORKS
 ENGINEERING DIVISION

CITY OF RIVERSIDE
 DEPT. OF PUBLIC WORKS
 ENGINEERING DIVISION



SCALE: Horiz. 1"=50'
 Vert. 1"=5'



B.M.
 P.K. nail in Nly. curb of Garfield St.
 100 E. of Adams St.
 Elev. 778.19

NOTE: House connections to be located in field.

DONALD J. McKEE, LIC. SURVEYOR
 L.S. No. 1825
 RIVERSIDE, CALIFORNIA
 Approved *[Signature]* 10/14/58
 CITY OF RIVERSIDE, CALIFORNIA
 DEPARTMENT OF PUBLIC WORKS
 SEWER PLAN & PROFILE
RIVIERA ESTATES
 JANIS STREET
 Horiz. Scale 1"=50' Vert. Scale 1"=5'
 Approved by *[Signature]*
 Acting Director of Public Works
 Date 10/22/58
NO. S-146
 SHEET 3 OF 3

*As Built, 6.22.59, H. Ball

CITY OF RIVERSIDE
 DEPT. OF PUBLIC WORKS
 ENGINEERING DIVISION

PROJECT	SURVEYED
NOTE BOOK	FILED UNDER
NO.	DATE
STATIONING	DATE

PROJECT	SURVEYED
NOTE BOOK	FILED UNDER
NO.	DATE
STATIONING	DATE