

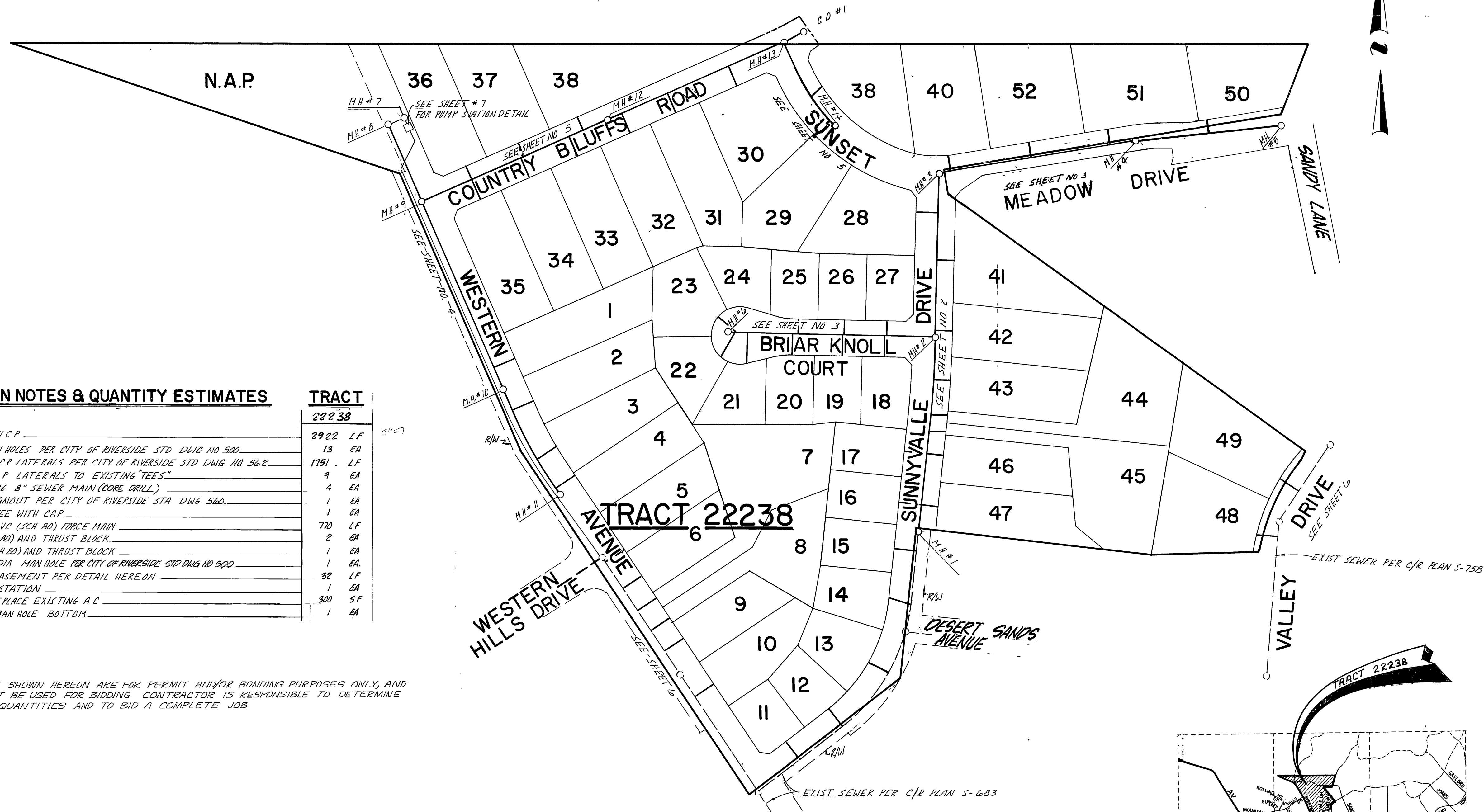
GENERAL NOTES

1. THE PRIVATE ENGINEER SIGNING THESE PLANS IS RESPONSIBLE FOR THE ACCURACY AND ACCEPTABILITY OF THE WORK HEREON. IN THE EVENT OF DISCREPANCIES ARISING DURING CONSTRUCTION THE PRIVATE ENGINEER SIGNING THE PLANS SHALL BE RESPONSIBLE FOR DETERMINING AN ACCEPTABLE SOLUTION AND REVISING THE PLANS FOR APPROVAL BY THE CITY.
2. IT SHALL BE THE RESPONSIBILITY OF THE CONTRACTOR TO CLEAR THE RIGHT-OF-WAY IN ACCORDANCE WITH THE PROVISIONS OF LAW AS IT AFFECTS EACH UTILITY INCLUDING IRRIGATION LINES AND APPURTENANCES AND AT NO COST TO THE CITY.
3. CONSTRUCTION SHALL BE IN ACCORDANCE WITH THE CITY OF RIVERSIDE DEPARTMENT OF PUBLIC WORKS, STANDARD DRAWINGS, STANDARD DRAWING NO. 10 AND THE STANDARD SPECIFICATIONS FOR PUBLIC WORKS CONSTRUCTION, CURRENT EDITION.
4. LOCATION OF LATERALS TO BE DETERMINED IN THE FIELD AT THE DIRECTION OF THE OWNER. AVOID CONFLICT WITH PROPOSED AND/OR EXISTING FACILITIES.
5. CONTRACTOR IS TO VERIFY EXISTING SEWER ELEVATION PRIOR TO CONSTRUCTION.
6. THE SEWER CONTRACTOR SHALL ADJUST MANHOLES TO FINAL GRADE AFTER PAVING IS COMPLETED.
7. NO FINISHED FLOOR ELEVATION SHALL BE LESS THAN 4' ABOVE THE SEWER FLOW LINE AT THE POINT OF CONNECTION WITHOUT HAVING A PROPER BACKWATER VALVE INSTALLED IN THE LATERAL.
8. A PLUG SHALL BE INSTALLED AND WILL REMAIN IN PLACE WHERE THE NEW SEWER CONNECTS WITH THE EXISTING SEWER UNTIL THE NEW SEWER IS ACCEPTED BY THE CITY OF RIVERSIDE.
9. ALL MANHOLES TO BE RIVERSIDE CITY STD. NO. 500.
10. ALL FLAGGED ELEVATIONS SHALL BE STAKED IN THE FIELD BY PRIVATE ENGINEER.
11. THE CONTRACTOR SHALL CALL IN A LOCATION REQUEST TO UNDERGROUND SERVICE ALERT (USA), PHONE NO. 1-800-422-4133, TWO WORKING DAYS BEFORE DIGGING. NO CONSTRUCTION PERMIT WILL BE ISSUED BY THE PUBLIC WORKS DEPARTMENT INVOLVING EXCAVATION FOR UNDERGROUND FACILITIES UNLESS THE APPLICANT HAS BEEN PROVIDED AN INQUIRY IDENTIFICATION NUMBER BY U.S.A.
12. THE DEVELOPER SHALL BE RESPONSIBLE FOR THE PRESERVING OR RE-ESTABLISHING AND REFERENCING SURVEY MONUMENTS DESTROYED, DISTURBED OR BURIED AS A RESULT OF CONSTRUCTION SHOWN HEREON.
13. QUANTITIES SHOWN ARE FOR INFORMATION ONLY AND THE CITY OF RIVERSIDE IS NOT RESPONSIBLE FOR THEIR ACCURACY.

SEWER IMPROVEMENT PLANS

FOR

TRACT 22238



CONSTRUCTION NOTES & QUANTITY ESTIMATES

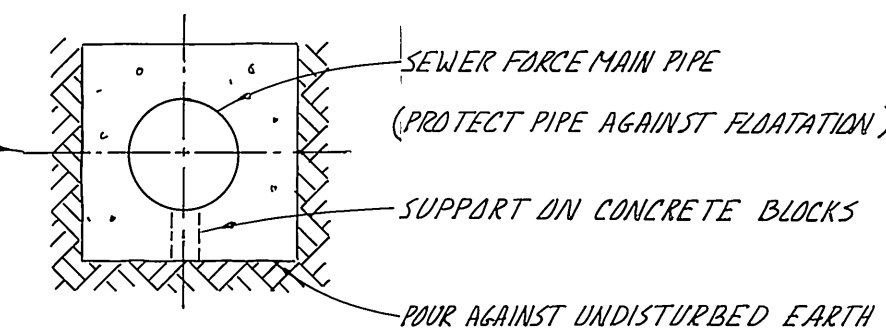
	TRACT 22238	
①-CONSTRUCT 8" V.C.P.	29 22	L.F.
②-CONSTRUCT MAN HOLES PER CITY OF RIVERSIDE STD DWG NO 500	13	EA
③-CONSTRUCT 4" V.C.P. LATERALS PER CITY OF RIVERSIDE STD DWG NO 562	1751	L.F.
④-CONNECT 4" V.C.P. LATERALS TO EXISTING "TEES"	9	EA
⑤-SADDLE EXISTING 8" SEWER MAIN (CORE DRILL)	4	EA
⑥-CONSTRUCT CLEANOUT PER CITY OF RIVERSIDE STA DWG 560	1	EA
⑦-CONSTRUCT 4" TEE WITH CAP	1	EA
⑧-CONSTRUCT 6" PVC (SCH 80) FORCE MAIN	770	L.F.
⑨-45° BEND (SCH 80) AND THRUST BLOCK	2	EA
⑩-22 1/2° BEND (SCH 80) AND THRUST BLOCK	1	EA
⑪-CONSTRUCT 5' DIA. MAN HOLE PER CITY OF RIVERSIDE STD DWG NO 500	1	EA
⑫-CONCRETE ENCASUREMENT PER DETAIL HEREON	32	L.F.
⑬-SEWER PUMP STATION	1	EA
⑭-REMOVE AND REPLACE EXISTING A.C.	300	S.F.
⑮-RECONSTRUCT MAN HOLE BOTTOM	1	EA

* NOTE QUANTITIES SHOWN HEREON ARE FOR PERMIT AND/OR BONDING PURPOSES ONLY, AND SHOULD NOT BE USED FOR BIDDING. CONTRACTOR IS RESPONSIBLE TO DETERMINE HIS OWN QUANTITIES AND TO BID A COMPLETE JOB

INDEX MAP

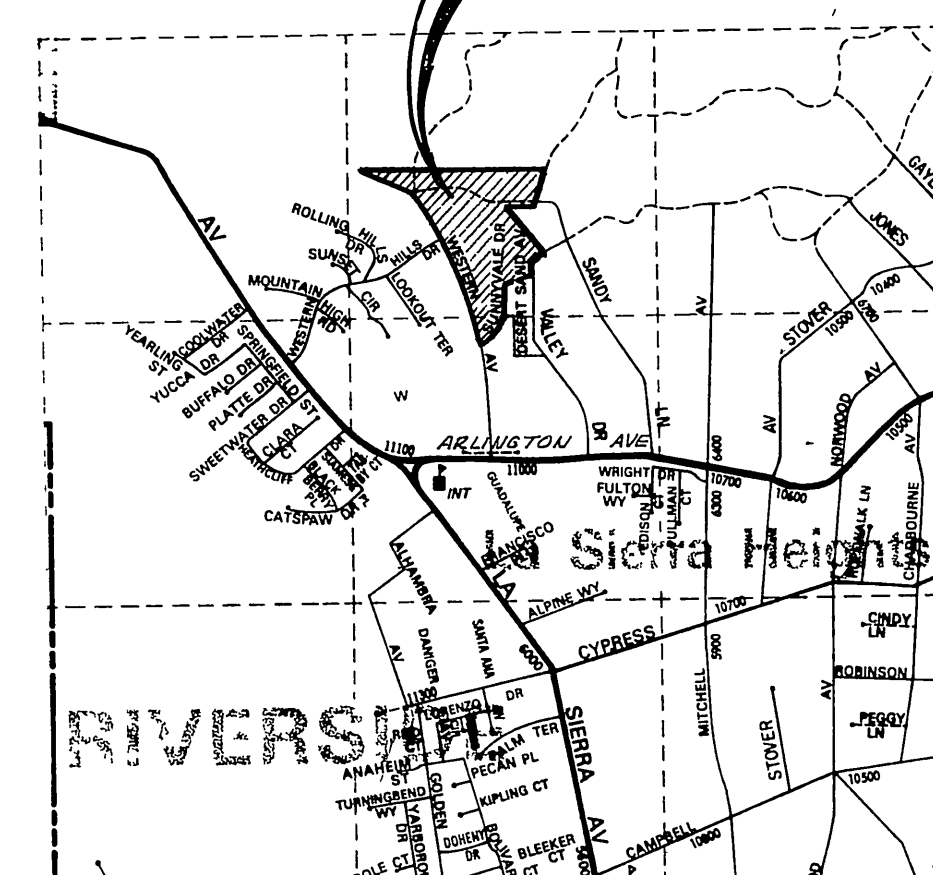
SCALE 1" = 100'

6" TYPICAL ENCASUREMENT ALL SIDES W/P.C.C. 480-C-2000



PIPE ENCASUREMENT

ALL MATERIALS OF CONSTRUCTION SHALL CONFORM TO STANDARD SPECIFICATIONS FOR PUBLIC WORKS CONSTRUCTION AND A.W.A. STANDARDS & SPECIFICATIONS, & C.O.R. WATER DEPT. STANDARD DWGS. # CWD-022 & CWD-023.



VICINITY MAP
NO SCALE

INDEXED 12-22-87 LPH

PRIVATE ENGINEER'S NOTICE TO CONTRACTORS

THE EXISTENCE AND LOCATION OF ANY UNDERGROUND UTILITIES OR STRUCTURES SHOWN ON THESE PLANS ARE OBTAINED BY A SEARCH OF AVAILABLE RECORDS AND TO THE BEST OF OUR KNOWLEDGE, THERE ARE NO EXISTING UTILITIES EXCEPT THOSE SHOWN ON THIS PLAN. THE CONTRACTOR IS REQUIRED TO TAKE ALL PRECAUTIONARY MEASURES TO PROTECT THE UTILITIES SHOWN, AND ANY OTHER LINES OR STRUCTURES NOT SHOWN ON THESE PLANS, AND IS RESPONSIBLE FOR THE PROTECTION OF, AND ANY DAMAGE TO THESE LINES OR STRUCTURES.

CONSTRUCTION CONTRACTOR AGREES THAT IN ACCORDANCE WITH GENERALLY ACCEPTED CONSTRUCTION PRACTICES, CONSTRUCTION CONTRACTOR WILL BE REQUIRED TO ASSUME SOLE AND COMPLETE RESPONSIBILITY FOR JOB SITE CONDITIONS DURING THE COURSE OF CONSTRUCTION OF THIS PROJECT, INCLUDING SAFETY OF ALL PERSONS AND PROPERTY; THAT THIS REQUIREMENT SHALL APPLY CONTINUOUSLY AND NOT BE LIMITED TO NORMAL WORKING HOURS, AND CONSTRUCTION CONTRACTOR FURTHER AGREES TO, DEFEND, INDEMNIFY, AND HOLD DESIGN PROFESSIONAL AND OWNER HARMLESS FROM ANY AND ALL LIABILITY, REAL OR ALLEGED, IN CONNECTION WITH THE PERFORMANCE OF WORK ON THIS PROJECT.

THE CONTRACTOR SHALL BE RESPONSIBLE TO REPORT DISCREPANCIES IN PLANS AND/OR FIELD CONDITIONS IMMEDIATELY TO THE DESIGN ENGINEER FOR RESOLUTION PRIOR TO CONSTRUCTION, AND SHALL BE RESPONSIBLE FOR DISCREPANCIES NOT SO REPORTED AND RESOLVED.



BENCH MARK:
BENCH MARK NO G2-A
BRASS DISC STAMPED (G2-A) IN
CONC IN MOST W'LY TRAFFIC ISLAND
AT ARLINGTON AVE AND LA SIERRA
AVE (FB735/58A)
ELEV = 865.079

CSL ENGINEERING, INC.
1807 W Sixth Street Suite 216-B Corona, CA 91720 (714) 737-8190
PREPARED UNDER THE SUPERVISION OF
Richard A. Scianni 7-13-87
RICHARD A. SCIANNI R.C.E. 25917 DATE

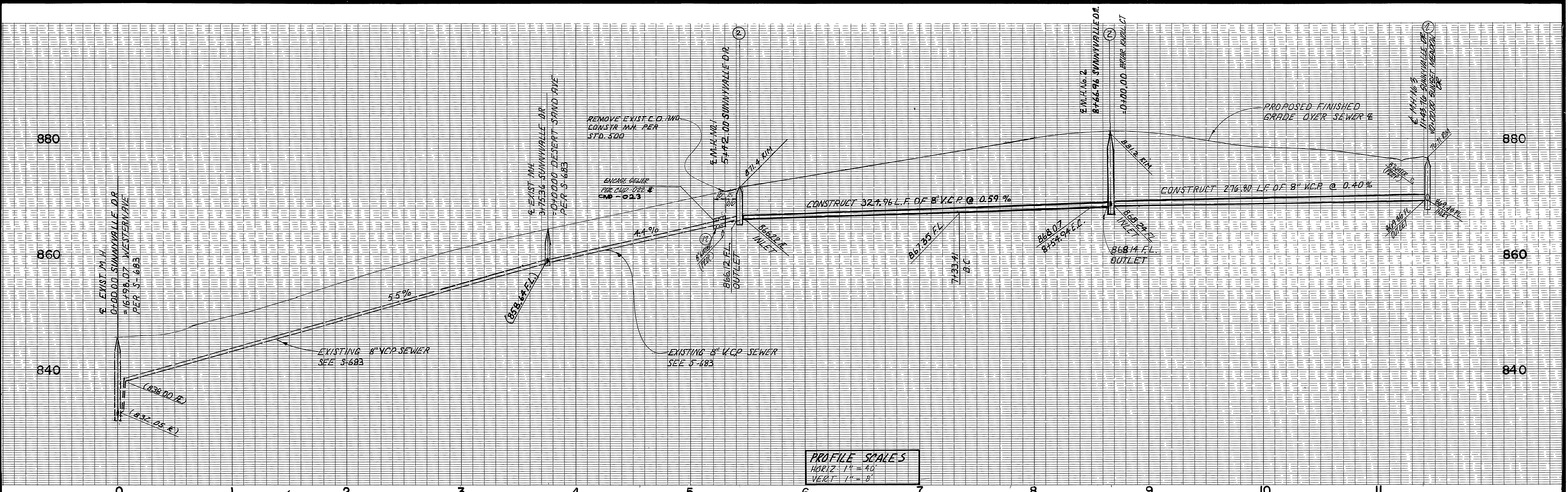
MARK	REVISIONS	APPR	DATE

DESIGNED BY DC DRAWN BY DB CHECKED BY DC

CITY OF RIVERSIDE
PUBLIC WORKS DEPARTMENT
APPROVED BY _____ DATE _____ BY _____
PRINCIPAL ENGINEER
TRAFFIC DIVISION
CHIEF P.W. ENGINEER
12-10-87
11/987 LLE

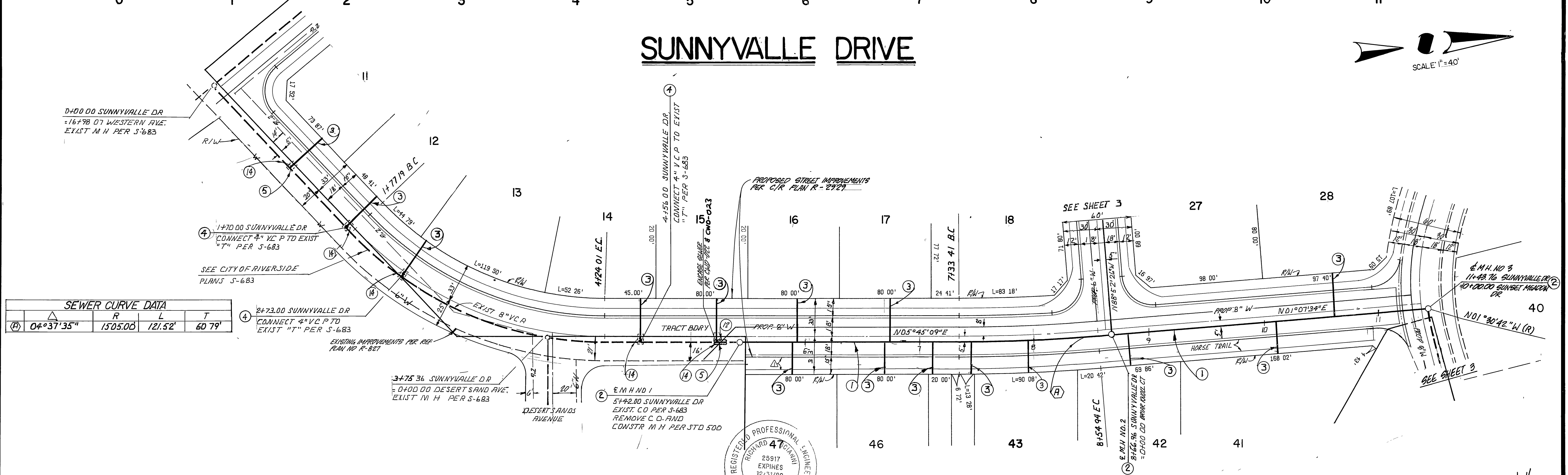
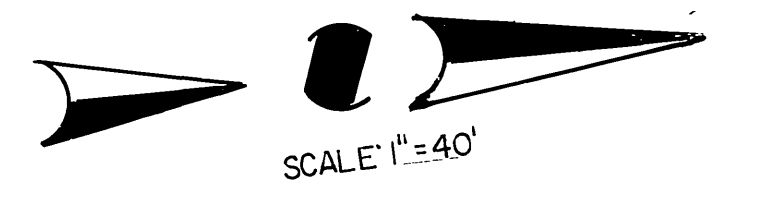
TITLE SHEET
SEWER IMPROVEMENT PLANS
FOR
TRACT 22238

ACCOUNT NO.
G-1485
SHEET 1 OF 7

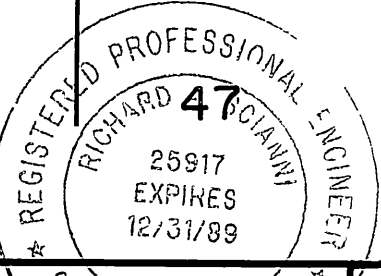


PROFILE SCALES
 HORIZ. 1" = 40'
 VERT. 1" = 8'

SUNNYVALLE DRIVE



SEWER CURVE DATA			
R	L	T	
04°37'35"	1305.00	121.52'	60.79'



SOUTHERN CALIFORNIA GAS COMPANY
 APPROVED BY: *Carl Weingarten* 10/22/87
 CITY OF RIVERSIDE WATER DEPT
 DATE

BENCH MARK:
 BENCH MARK NO G2-A
 BRASS DISC STAMPED (G2-A) IN
 CONC. IN MOST W'LY TRAFFIC ISLAND
 AT ARLINGTON AVE AND LA SIERRA
 AVE (FB735/58A)
 ELEV = 865.079

CSL ENGINEERING, INC.
 1307 W Sixth Street Suite 216-B Corona, CA 91720 (714) 737-8190
 PREPARED UNDER THE SUPERVISION OF
Richard A. Scanni 7-13-87
 RICHARD A. SCIANNI R.C.E. 29917 DATE

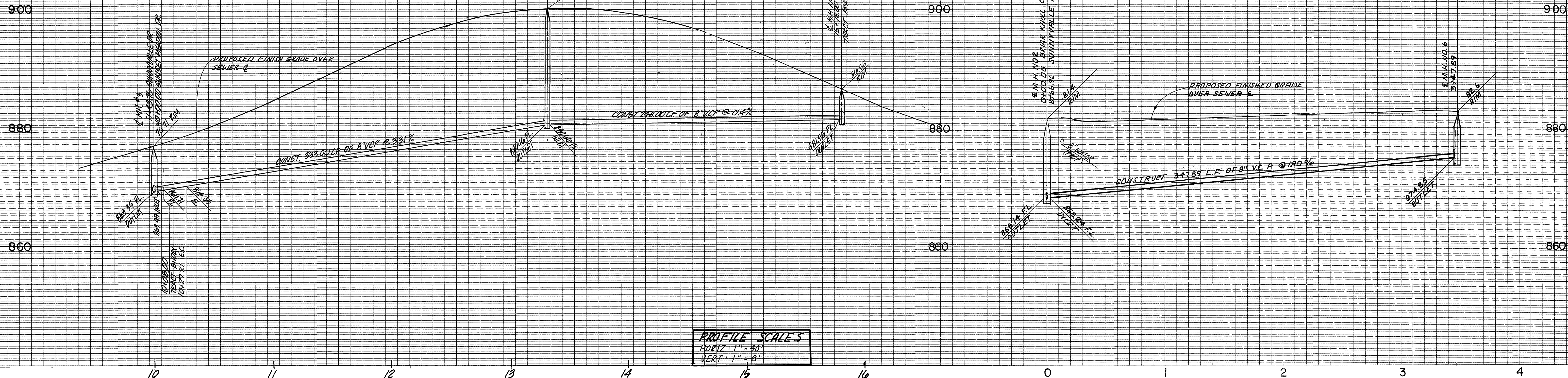
MARK REVISIONS APPR. DATE
 DESIGNED BY: *CC* DRAWN BY: *RS* CHECKED BY: *CC*

CITY OF RIVERSIDE
 PUBLIC WORKS DEPARTMENT
 APPROVED BY: *Barry Bul*
 PRINCIPAL ENGINEER
 PARK DEPARTMENT
 TRAFFIC DIVISION
 CHIEF P.W. ENGINEER
 DATE: 12/14/87

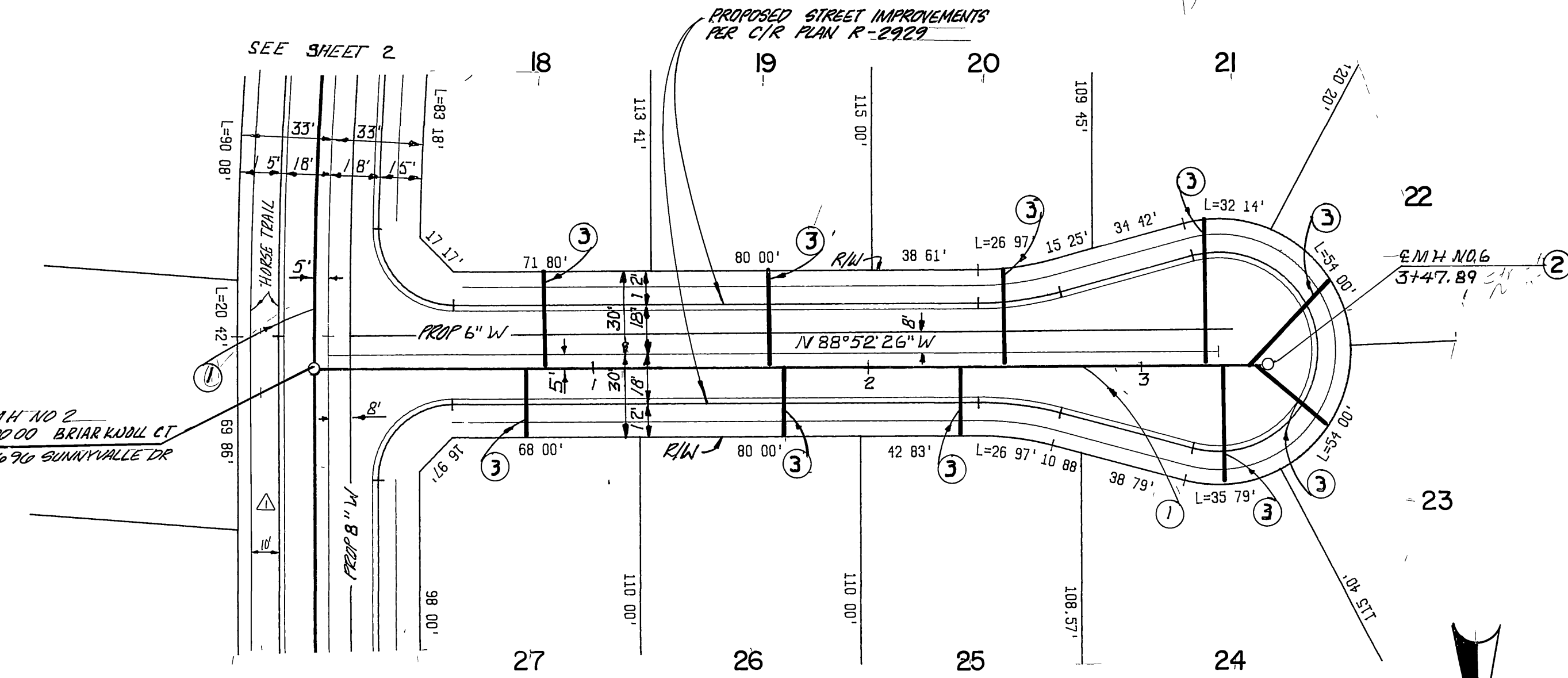
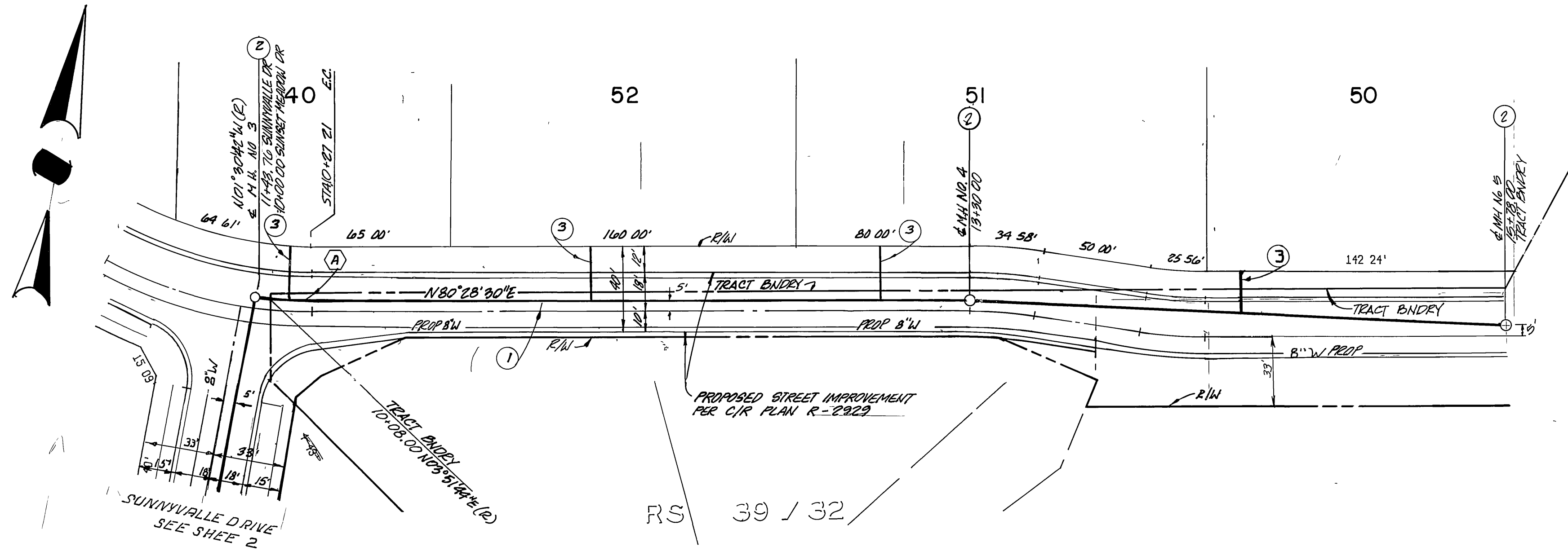
SEWER IMPROVEMENT PLANS
 FOR
TRACT 22238
SUNNYVALLE DRIVE
 HORIZ. SCALE: 1" = 40' VERT. SCALE: 1" = 8'

ACCOUNT NO. 5-1485
 SHEET **2.7** OF

INDEXED 12-22-87 LHM



PROFILE SCALES
 HORIZ: 1" = 40'
 VERT: 1" = 8'



SEWER CURVE DATA

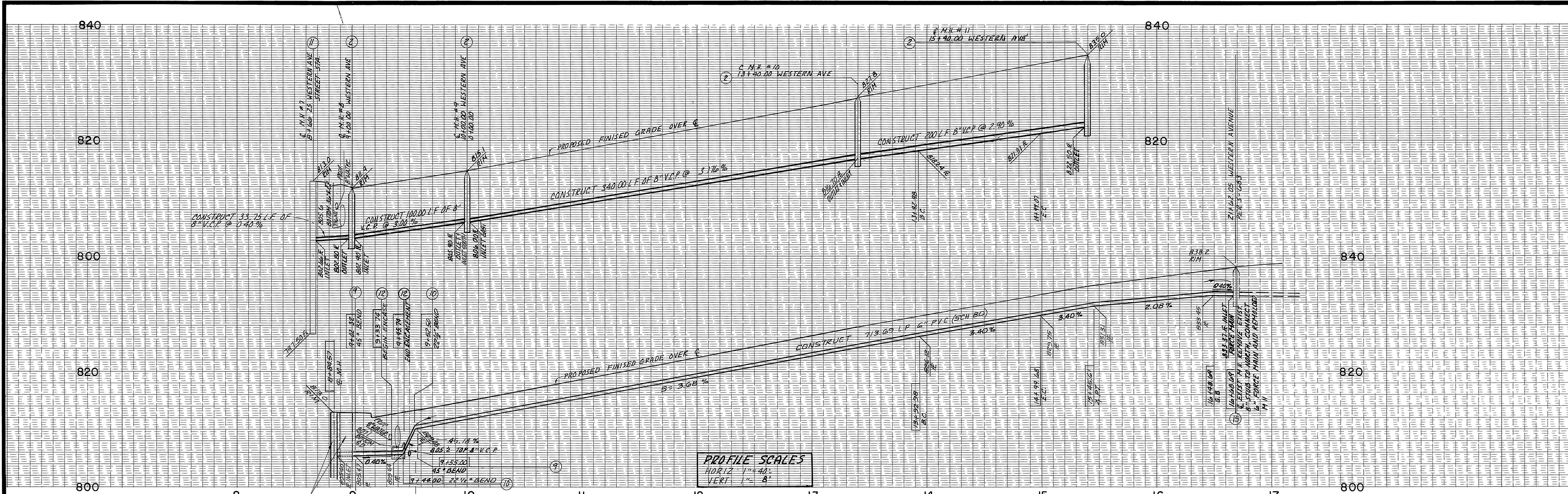
Station	R	L	T
8+00.48"	195.00'	27.27'	19.66'

SUNSET MEADOW DRIVE

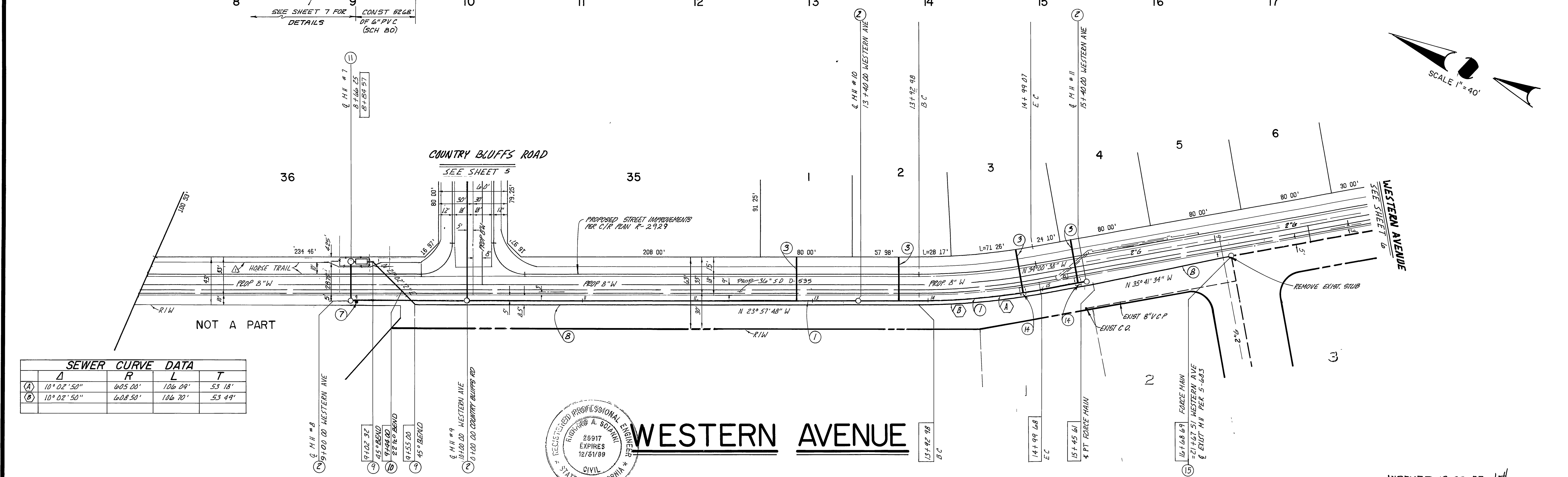
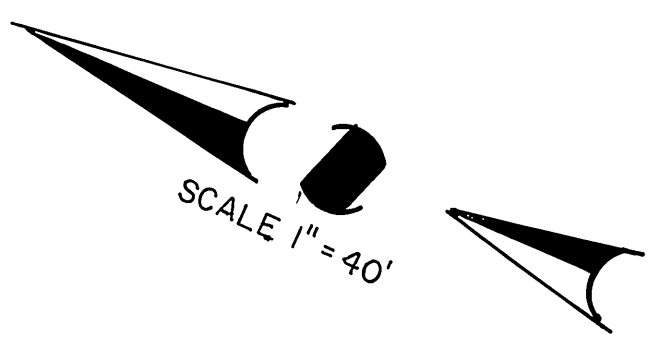
BRIAR KNOLL COURT



CITY OF RIVERSIDE WATER DEPT APPROVED BY: <i>Carl Weingarten</i> 10/22/87 DATE	BENCH MARK: BENCH MARK NO G2-A BRASS DISC STAMPED (G2-A) IN CONC. IN MOST W'LY TRAFFIC ISLAND AT ARLINGTON AVE AND LA SIERRA AVE (FB735/58A) ELEV = 865.079	CSL ENGINEERING, INC. 1307 W Sixth Street Suite 216-B Corona, CA 91720 (714) 737-8190 PREPARED UNDER THE SUPERVISION OF <i>Richard A. Scianni</i> 7-13-87 RICHARD A. SCIANNI R C E 25917 DATE	DESIGNED BY: <i>DC</i> DRAWN BY: <i>DS</i> CHECKED BY: <i>DC</i>	ADDED HORSE TRAIL WESTERLY SIDE OF SUNNYVALLE DRIVE DATE: 10/14/87	CITY OF RIVERSIDE PUBLIC WORKS DEPARTMENT APPROVED BY: <i>David Bell</i> PUBLIC WORKS DIRECTOR DATE: 12/14/87	SEWER IMPROVEMENT PLANS FOR TRACT 22238 SUNSET MEADOW DRIVE (STA. 10+00.00 TO STA. 14+61.46) BRIAR KNOLL COURT HORIZ. SCALE: 1" = 40' VERT. SCALE: 1" = 8'	ACCOUNT NO. 5-1485 SHEET 3 OF 7
				INDEXED 12-22-87			

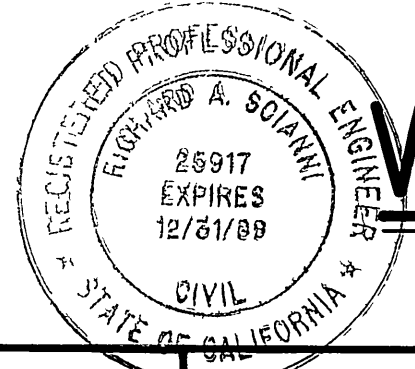


PROFILE SCALES
 HORIZ 1" = 40'
 VERT 1" = 8'



SEWER CURVE DATA

	Δ	R	L	T
(A)	10° 02' 50"	605.00'	106.09'	53.18'
(B)	10° 02' 50"	608.50'	106.70'	53.49'



WESTERN AVENUE

CITY OF RIVERSIDE WATER DEPT
 APPROVED BY *Carl Wengertner* 10/23/07
 DATE

BENCH MARK:
 BENCH MARK NO G2-A
 BRASS DISC STAMPED (G2-A) IN
 CONC IN MOST W'LY TRAFFIC ISLAND
 AT ARLINGTON AVE AND LA SIERRA
 AVE (FB735/58A)
 ELEV = 865.079

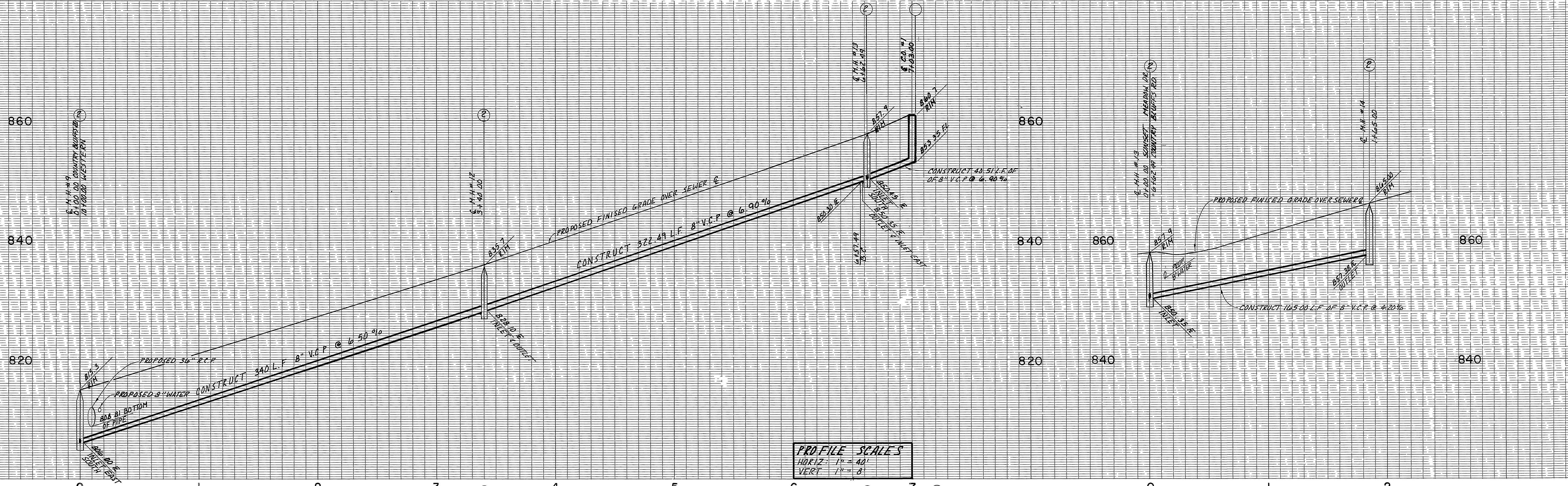
CSL ENGINEERING, INC.
 1307 W Sixth Street Suite 216-B Corona, CA 91720 (714) 737-8190
 PREPARED UNDER THE SUPERVISION OF
Richard A. Scianni 7-18-87
 RICHARD A. SCIANNI R.C.E. 25917 DATE

MARK REVISIONS APPR DATE
 DESIGNED BY *DC* DRAWN BY *DB* CHECKED BY *DC/DB*

CITY OF RIVERSIDE
PUBLIC WORKS DEPARTMENT
 APPROVED BY *Benny Red*
 PUBLIC WORKS DIRECTOR
 DATE 12/14/07

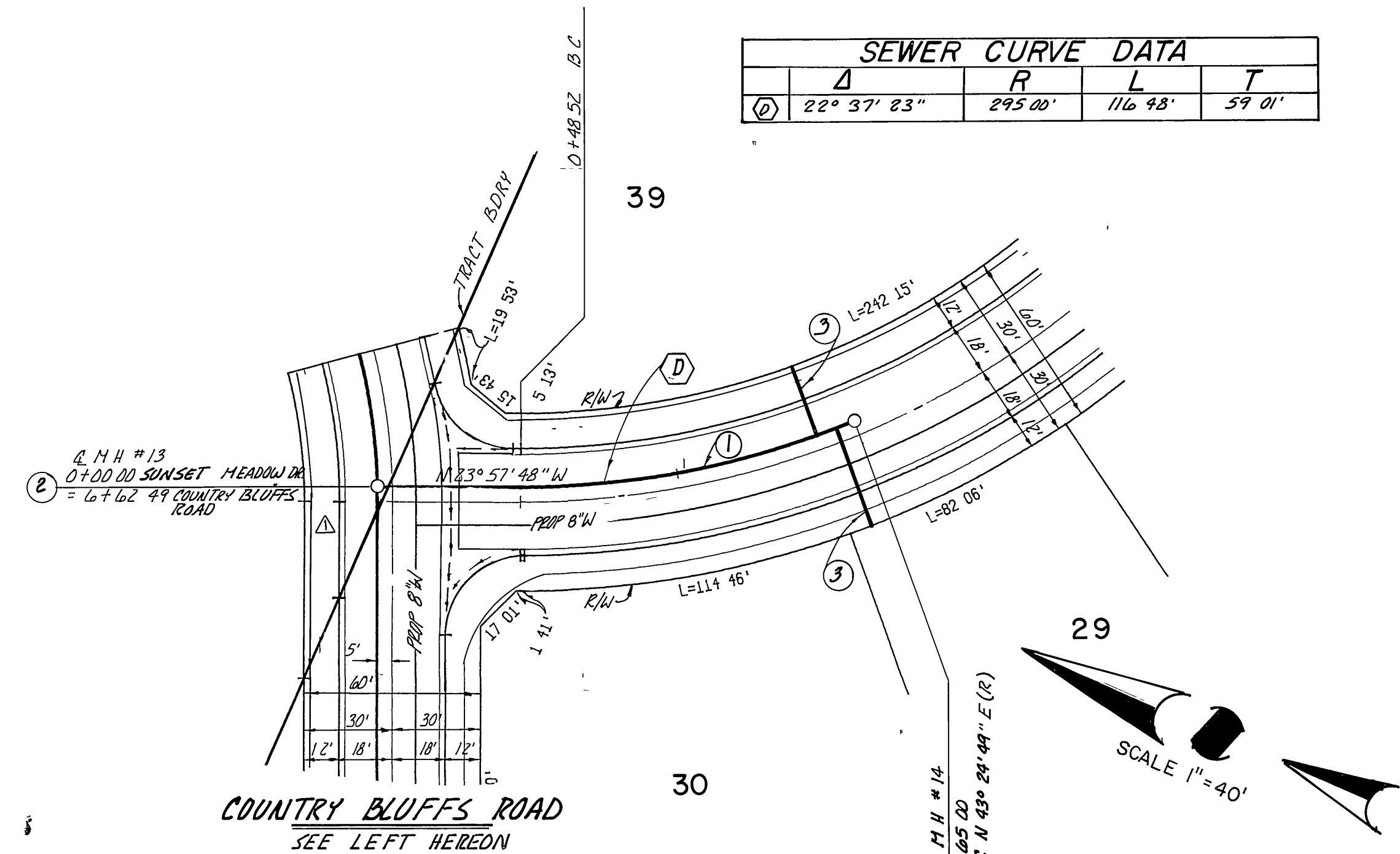
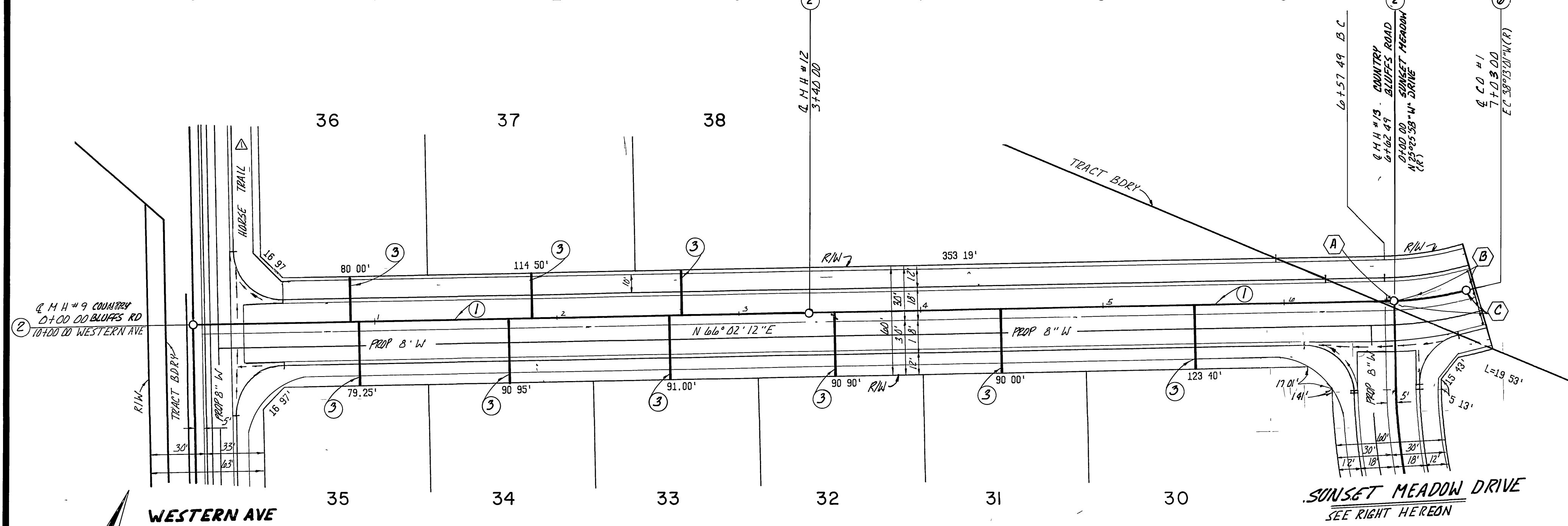
INDEXED 12-22-87 4th
SEWER IMPROVEMENT PLANS
 FOR
TRACT 22238
WESTERN AVENUE
 (87A 8+66.25 TO 97A 10+08.09)
 HORIZ SCALE: 1" = 40' VERT. SCALE: 1" = 8'

ACCOUNT NO. 6-1485
47
 SHEET OF



PROFILE SCALES
 HORIZ. 1" = 40'
 VERT. 1" = 8'

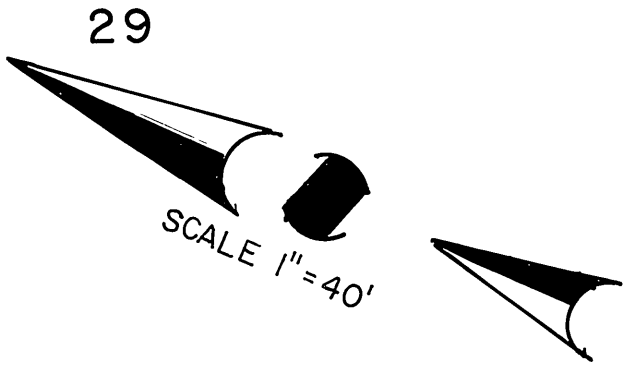
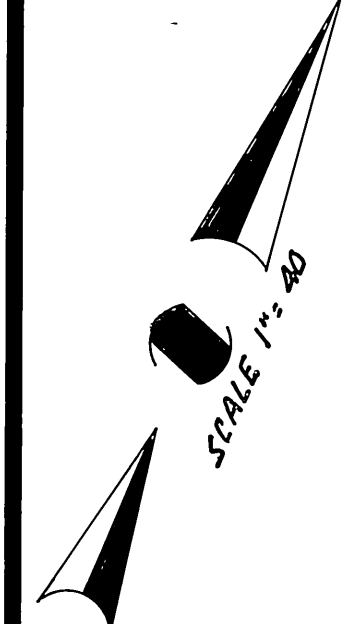
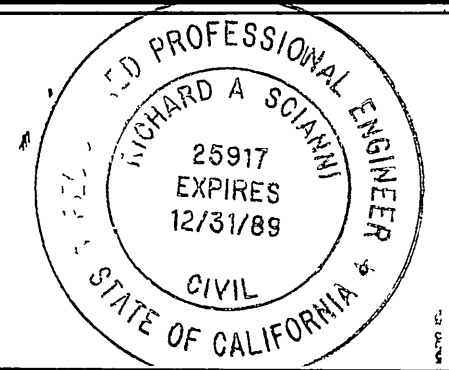
SEWER CURVE DATA			
Δ	R	L	T
(A) 22° 37' 23"	295.00'	116.93'	59.01'



SEWER CURVE DATA			
Δ	R	L	T
(A) 1° 28' 10"	195.00'	5.00'	2.50'
(B) 12° 41' 03"	195.00'	43.51'	21.85'
(C) 14° 15' 13"	195.00'	48.51'	24.38'

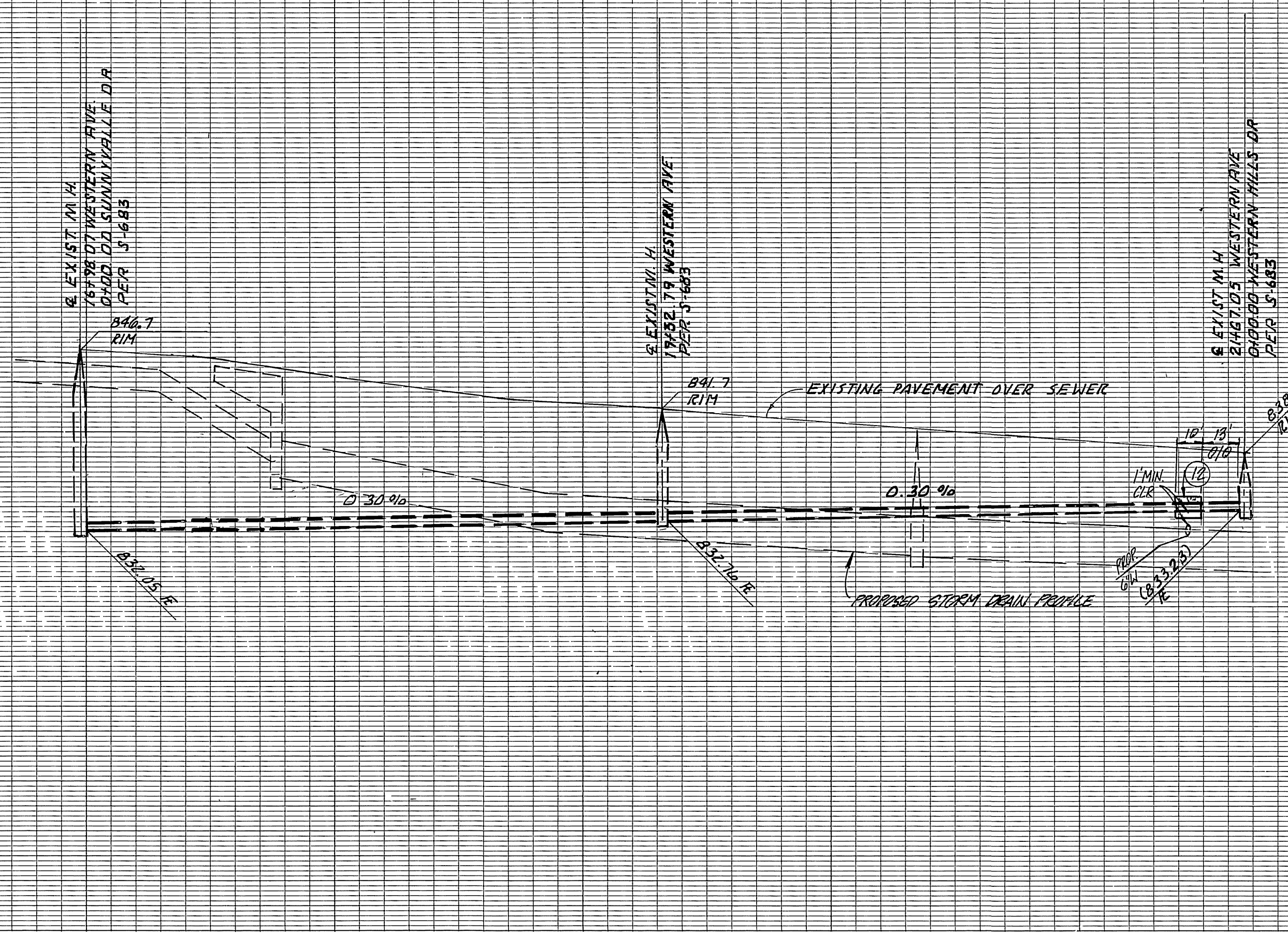
COUNTRY BLUFFS ROAD

SUNSET MEADOW DRIVE



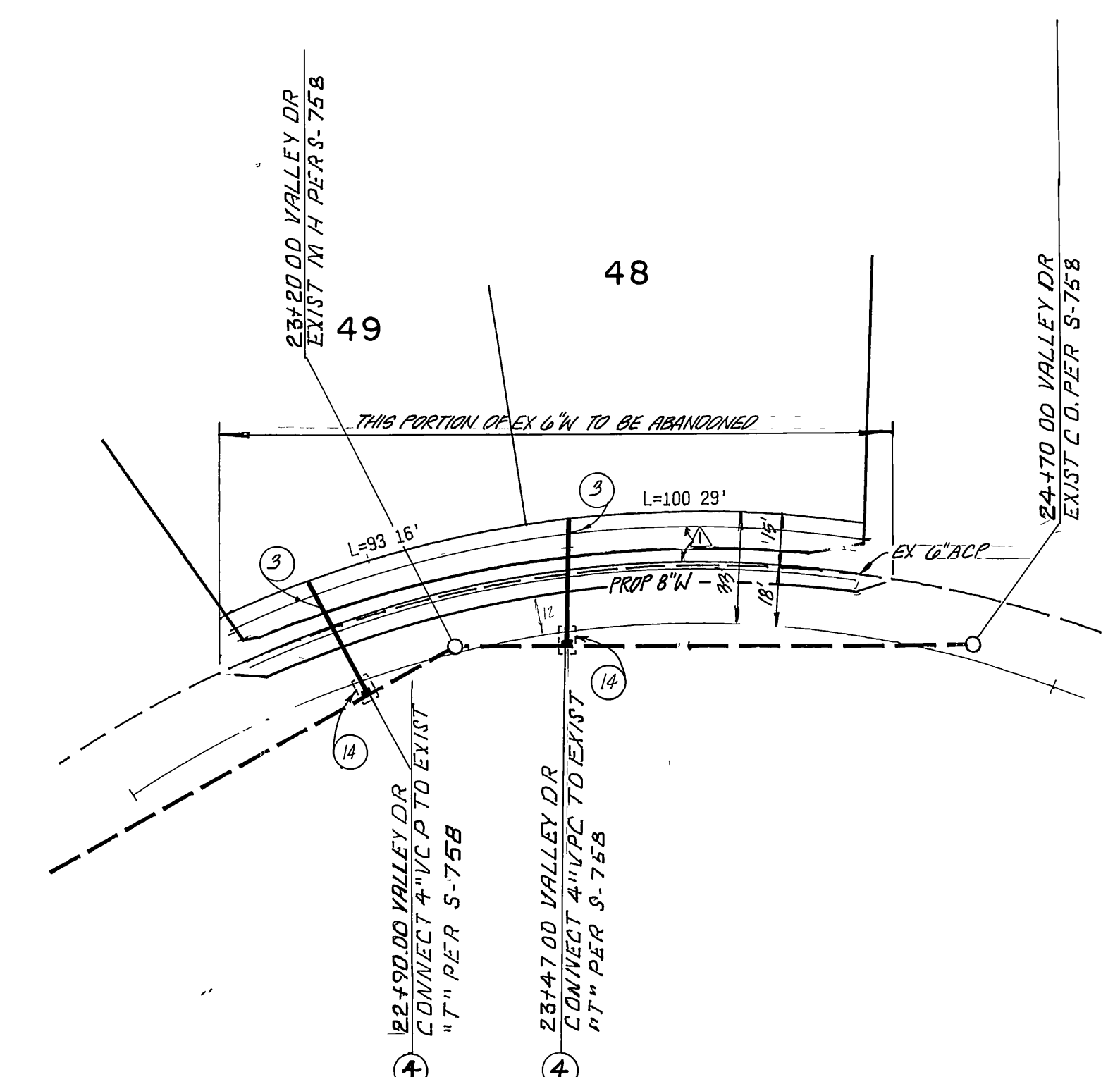
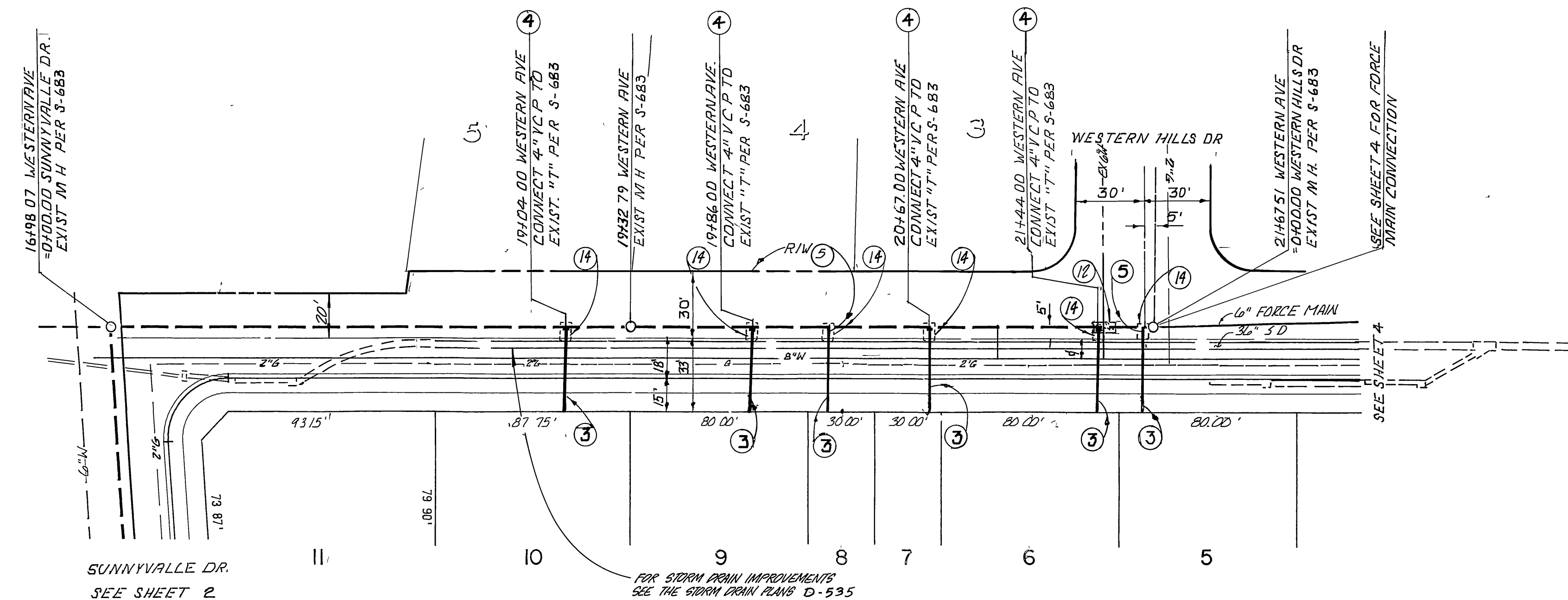
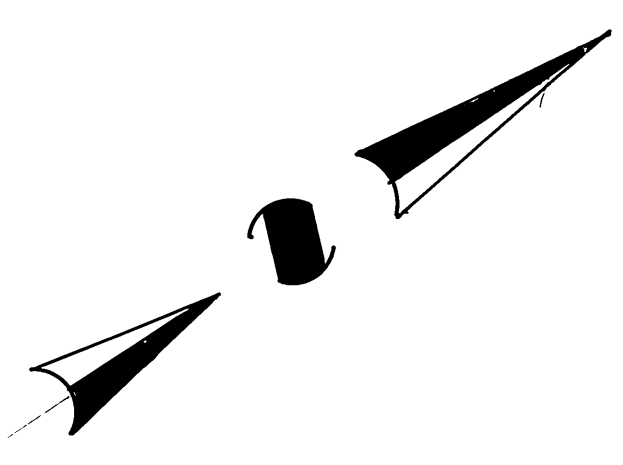
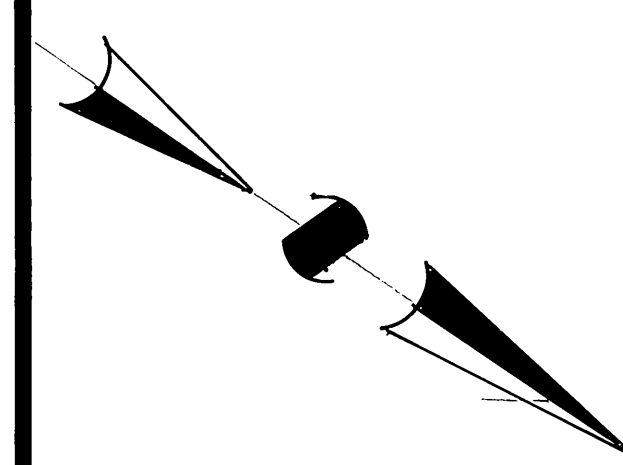
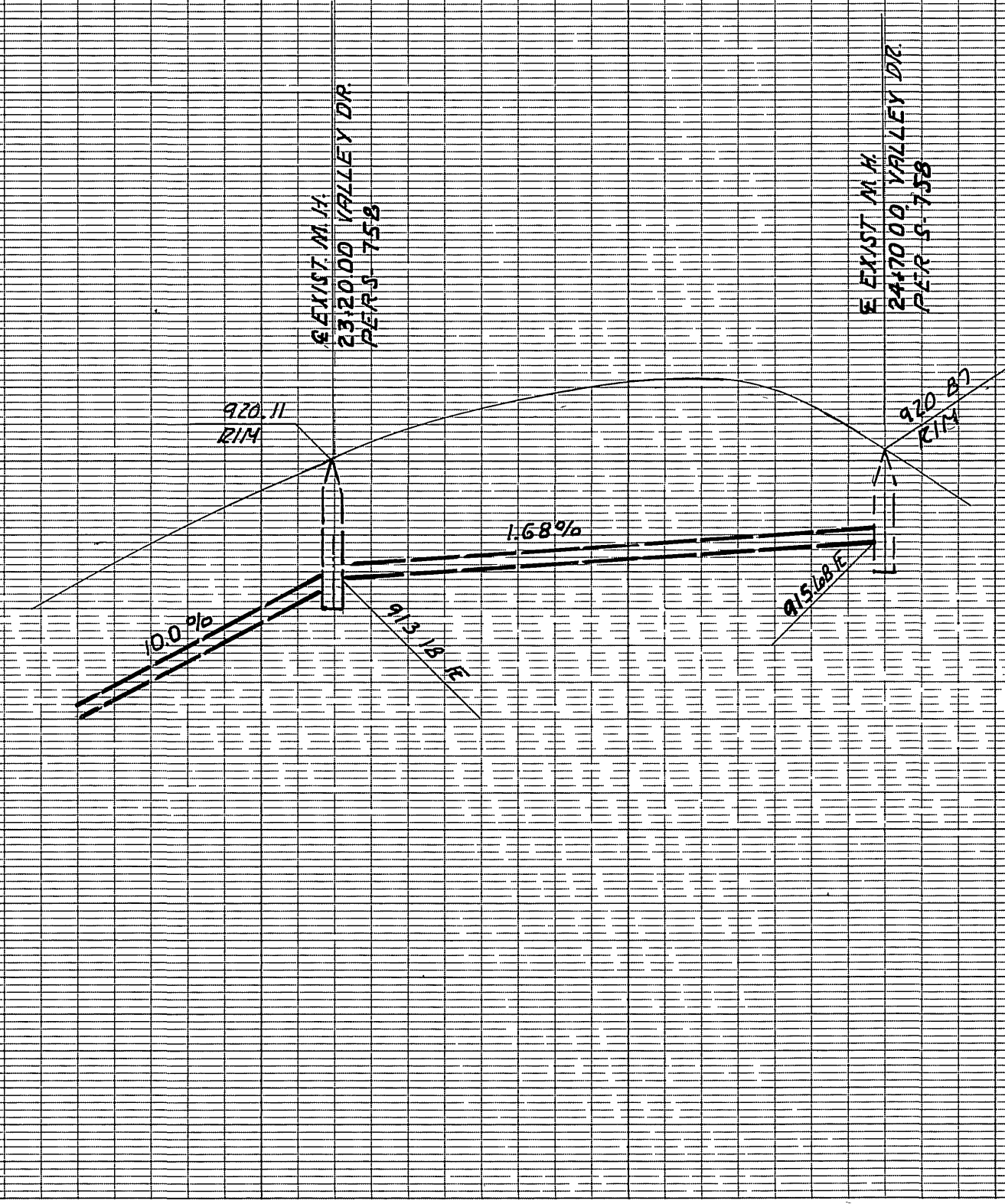
CITY OF RIVERSIDE WATER DEPT APPROVED BY: <i>Carl Wengert</i> 10/22/87 DATE	BENCH MARK: BENCH MARK NO G2-A BRASS DISC STAMPED (G2-A) IN CONC IN MOST W'LY TRAFFIC ISLAND AT ARLINGTON AVE AND LA SIERRA AVE (FB 735/58A) ELEV = 865.079	CSL ENGINEERING, INC. 1307 W Sixth Street Suite 216-B Corona, CA 91720 (714) 737-8190 PREPARED UNDER THE SUPERVISION OF <i>Richard A Scanni</i> 7-13-87 RICHARD A SCIANNI R.C.E. 25917 DATE	DESIGNED BY: <i>RWA</i> DRAWN BY: <i>DLG</i> CHECKED BY: <i>P.C. R</i>	CITY OF RIVERSIDE PUBLIC WORKS DEPARTMENT	INDEXED 12-22-87 LH SEWER IMPROVEMENT PLANS FOR TRACT 22238 COUNTRY BLUFFS ROAD & SUNSET MEADOW DRIVE (SIA 0000.00 TO SIA 1+65.00) HORIZ. SCALE: 1" = 40' VERT. SCALE: 1" = 8'	ACCOUNT NO 9-1485 SHEET 5.7 OF
				APPROVED BY: <i>Barry Red</i> PUBLIC WORKS DIRECTOR DATE: 12/16/87	DATE: 12/16/87	

860
840
820



PROFILE SCALE 5
 HORIZ. 1" = 40'
 VERT. 1" = 8'

940
920
900



WESTERN AVENUE



VALLEY DRIVE

INDEXED 12-22-87 LFI

CITY OF RIVERSIDE WATER DEPT
 APPROVED BY *Carl Wengert* 10/22/87
 DATE

BENCH MARK:
 BENCH MARK NO G2-A
 BRASS DISC STAMPED (G2-A) IN
 CONC IN MOST W'LY TRAFFIC ISLAND
 AT ARLINGTON AVE AND LA SIERRA
 AVE (FB735/58A)
 ELEV = 865 079

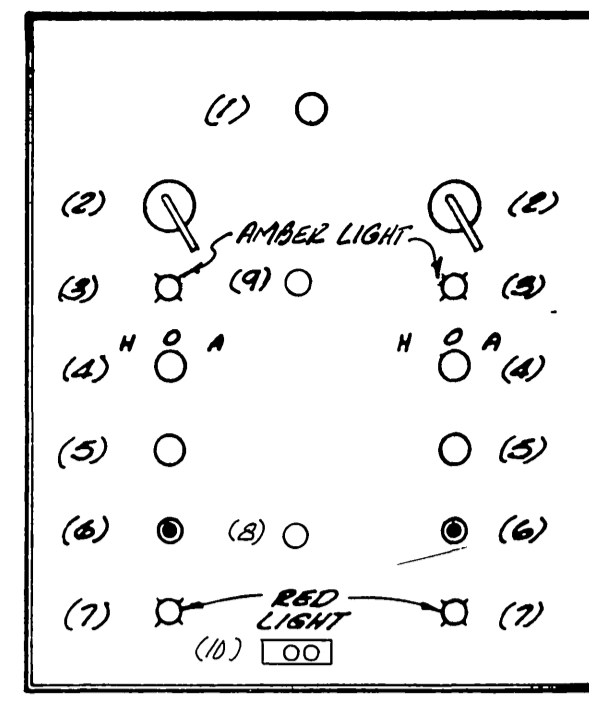
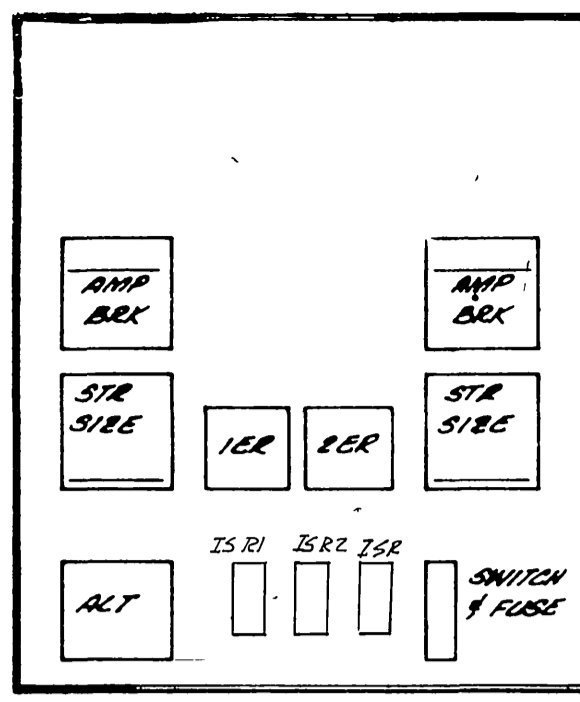
CSL ENGINEERING, INC.
 1307 W Sixth Street Suite 216-B Corona, CA 91720 (714) 737-8190
 PREPARED UNDER THE SUPERVISION OF
Richard A. Scanni 7-13-87
 RICHARD A. SCIANNI R.C.E. 25917 DATE

MARK	REVISIONS	APPR	DATE

CITY OF RIVERSIDE
PUBLIC WORKS DEPARTMENT
 APPROVED BY _____ DATE _____
 PRINCIPAL ENGINEER
 PARK DEPARTMENT
 TRAFFIC DIVISION
 CHIEF P.W. ENGINEER
 DATE 12/14/87

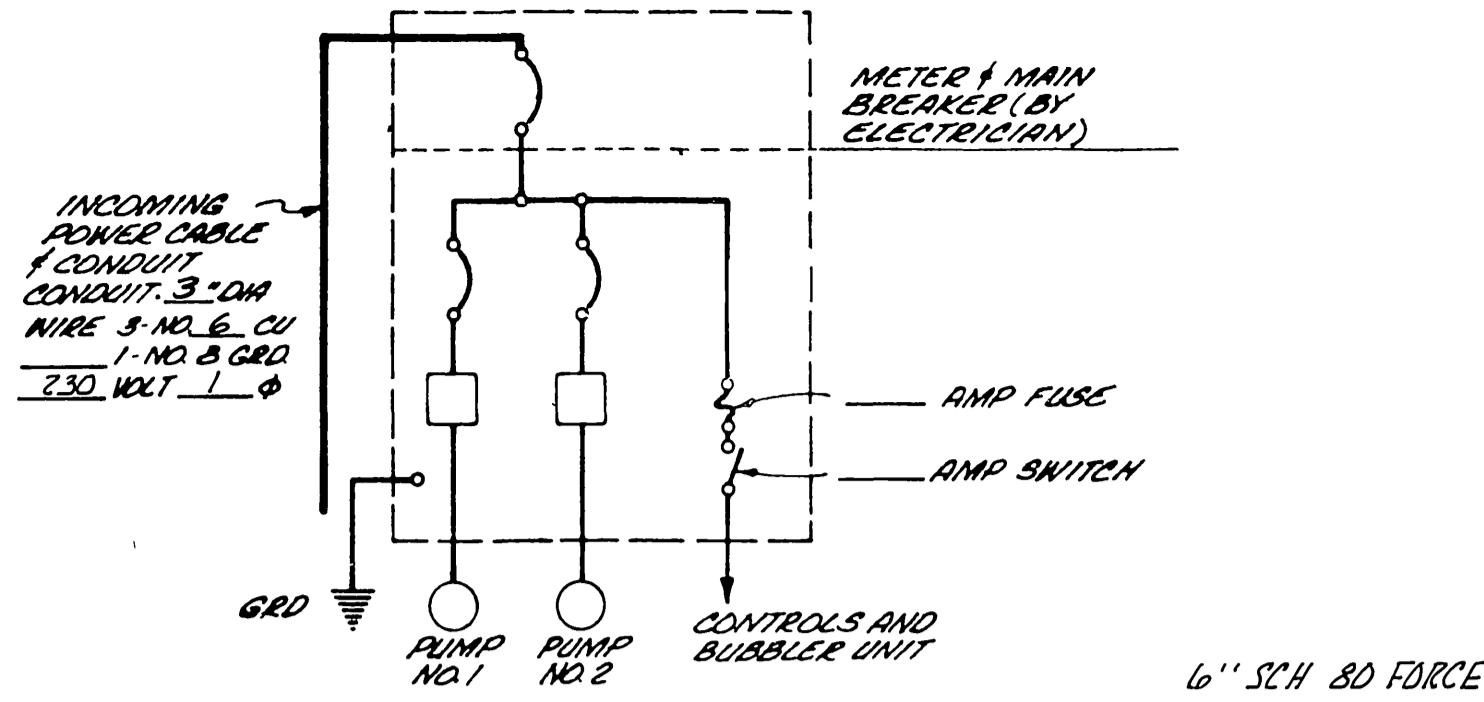
SEWER IMPROVEMENT PLANS
 FOR
TRACT 22238
WESTERN AVENUE
VALLEY DRIVE
 HORIZ SCALE: 1" = 40' VERT SCALE: 1" = 8'

ACCOUNT NO
 5-1485
 SHEET **6** OF **7**

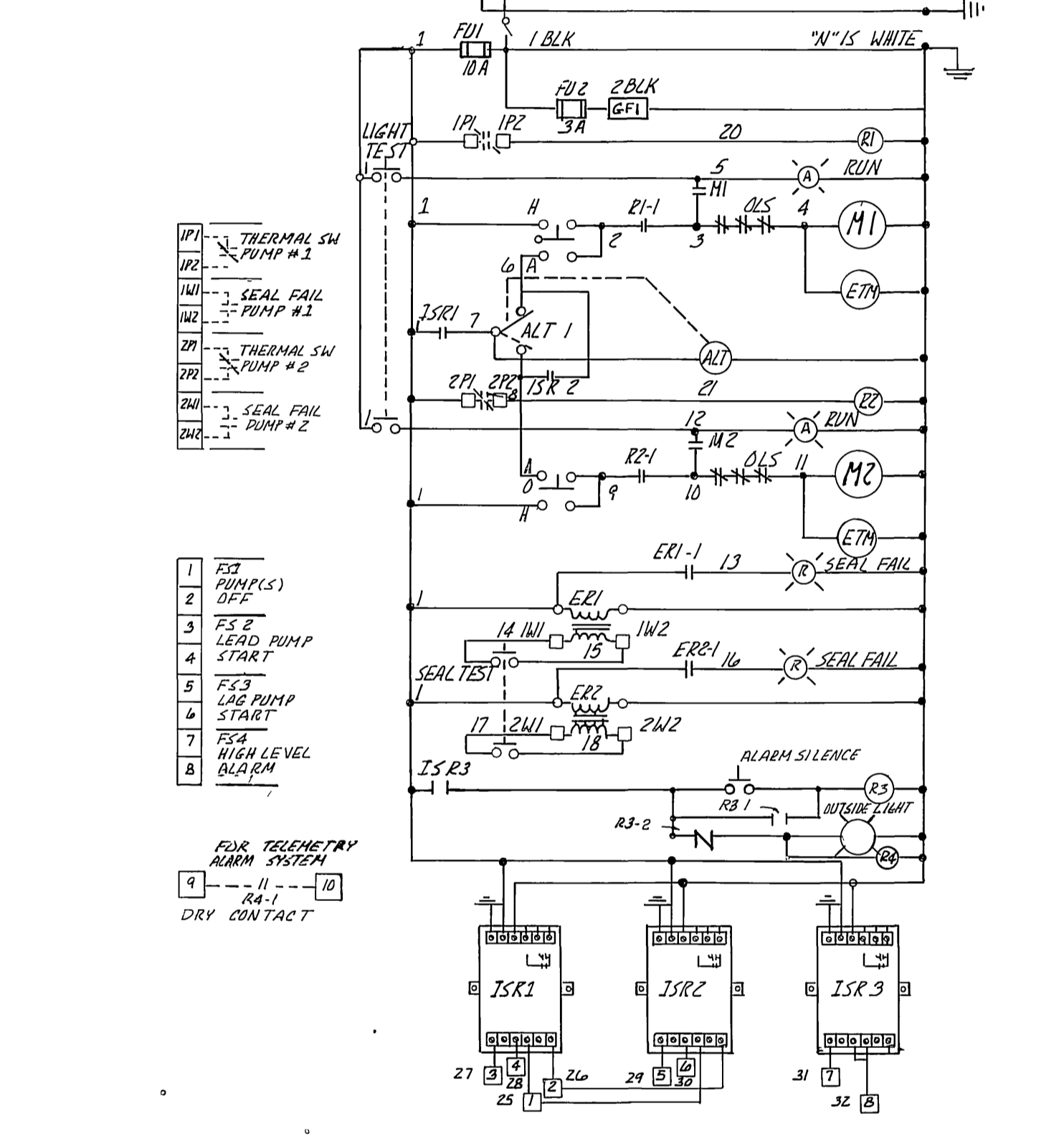
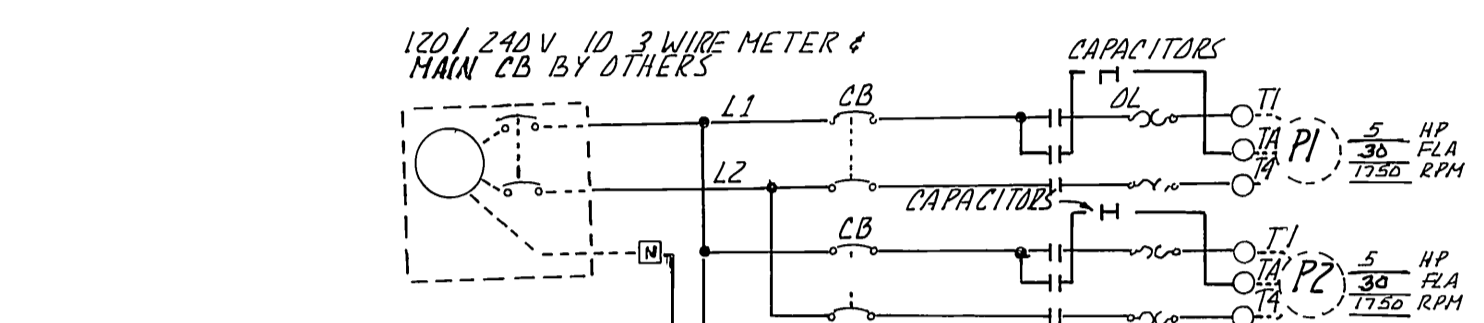


- PHENOLIC NAME PLATES**
- PUMP NO 1
 - PUMP NO 2
 - RUNNING
 - SEAL FAILURE

ESSCO PUMP CONTROL PANEL
NOT TO SCALE



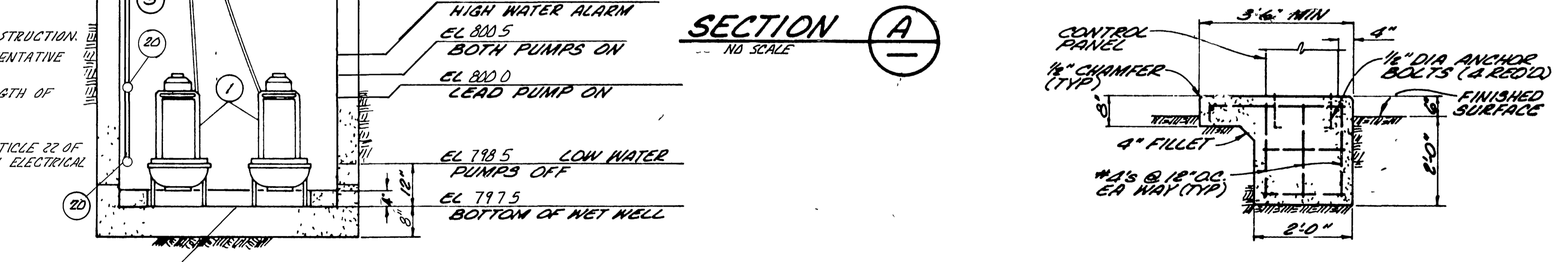
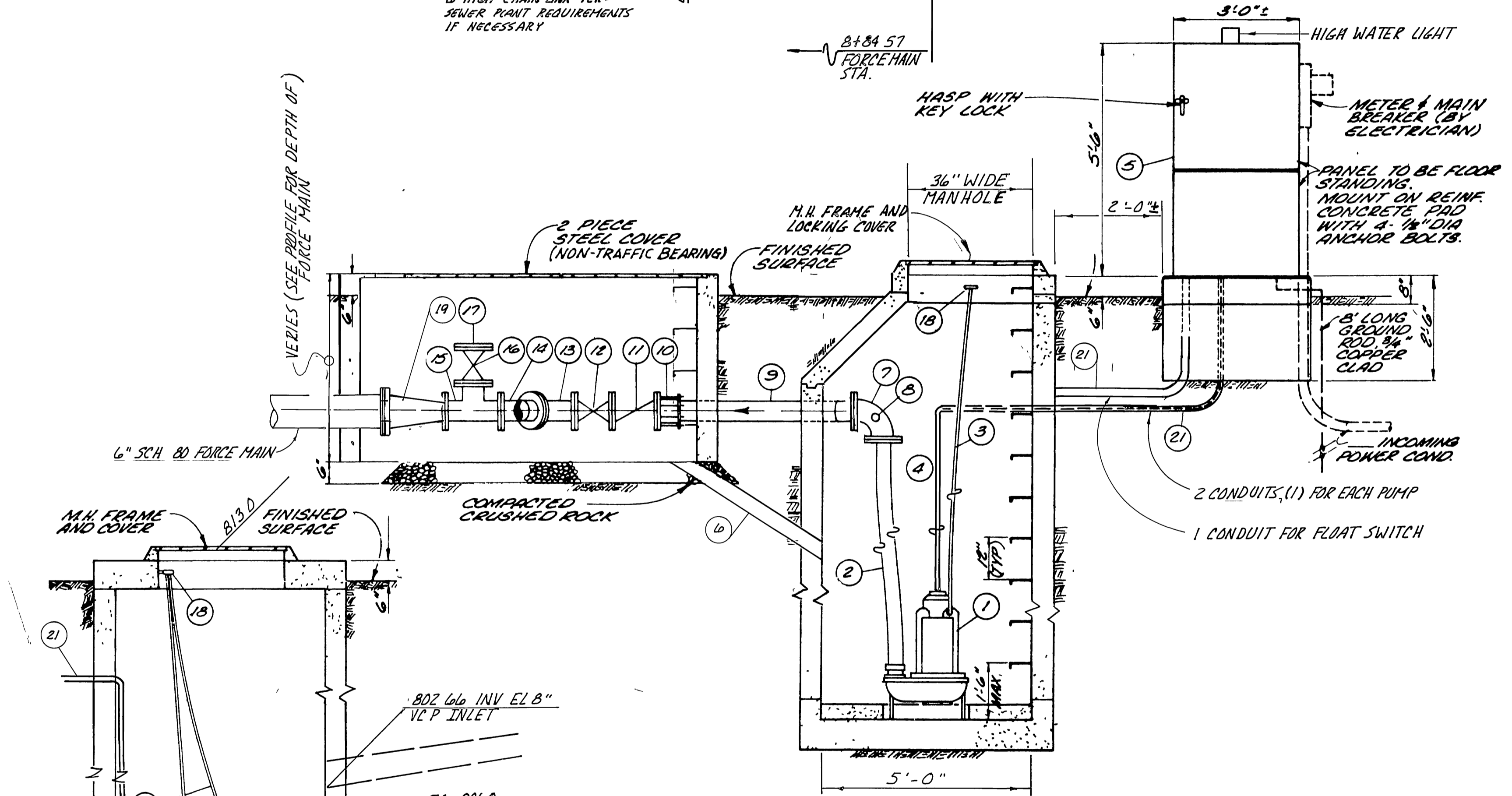
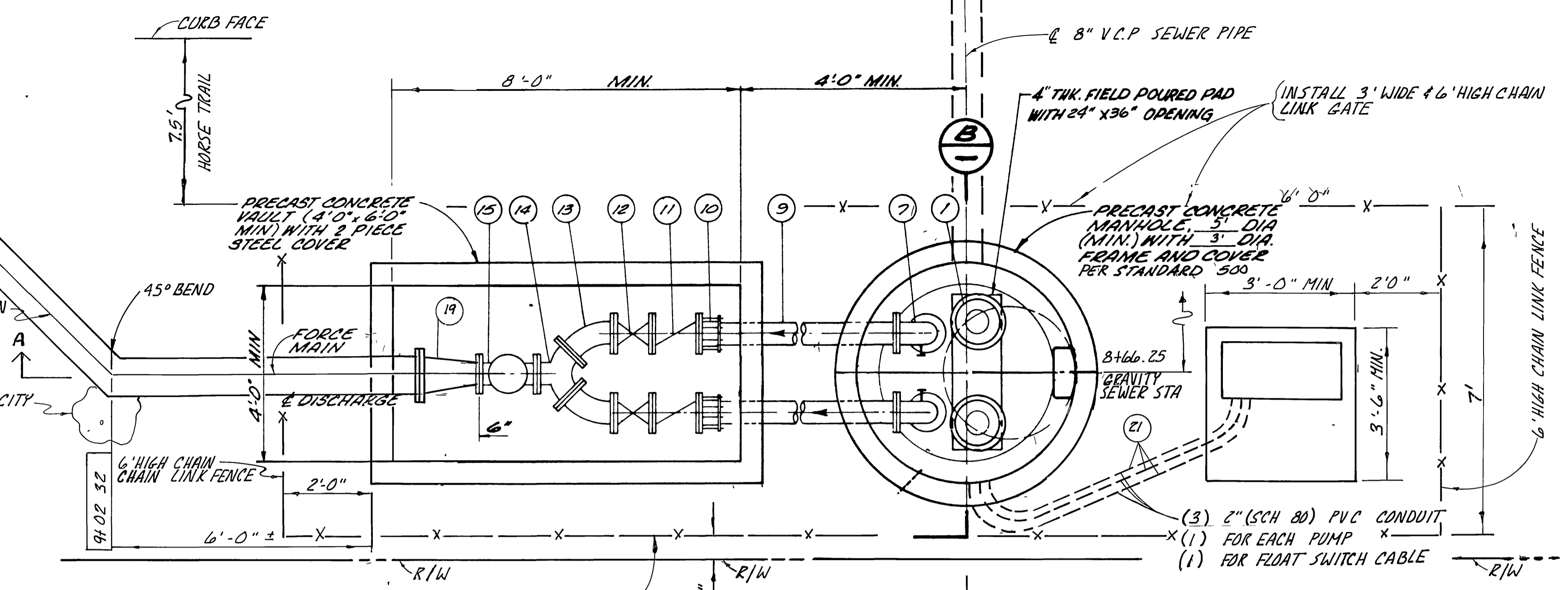
SINGLE LINE DIAGRAM
NOT TO SCALE



WIRING DIAGRAM
NOT TO SCALE

GENERAL NOTES

- THE CONTRACTOR SHALL VERIFY ALL DIMENSIONS AND SITE CONDITIONS PRIOR TO BEGINNING CONSTRUCTION.
- SUPERVISION FOR INSTALLATION, START-UP AND TESTING TO BE PROVIDED BY MANUFACTURER'S REPRESENTATIVE AS PART OF THE EQUIPMENT PURCHASE CONTRACT.
- CONCRETE SHALL BE PORTLAND CEMENT CONCRETE AND SHALL DEVELOP A MINIMUM COMPRESSIVE STRENGTH OF 3000 P.S.I. AT 28 DAYS.
- ALL FITTING AND VALVES SHALL BE CAST IRON, CLASS 125.
- ALL ELECTRICAL WIRING AND EQUIPMENT INSTALLED IN THE "WET WELL" SECTION MUST COMPLY WITH ARTICLE 22 OF THE ELECTRICAL SAFETY ORDERS FOR CLASS 1, DIVISION 1, HAZARDOUS LOCATION PROVISIONS OF THE NATIONAL ELECTRICAL CODE AND ALL OTHER APPLICABLE LOCAL CODES AND ORDINANCES.
- ALL CONDUITS SHALL BE PVC SCHEDULE 80, OR APPROVED EQUAL.
- ALL ELECTRICAL WIRE SHALL BE #14 OR #12 COPPER CONDUCTOR, OR APPROVED EQUAL.
- THE FLOOR OF THE WET WELL SHALL BE SMOOTH AND LEVEL.
- THE DISCHARGE HOSE SHALL BE CUT TO LENGTH AND INSTALLED TAUT.
- PUMP MOTORS WILL PULL EXCESS AMPS IF RUNNING BACKWARDS.
- ALL PRACTICES AND PROCEDURES, MATERIALS AND PLACEMENT OF MATERIALS SHALL CONFORM IN EVERY RESPECT TO THE STANDARD PLANS AND SPECIFICATIONS OF THE CITY OF RIVERSIDE.
- ALL EXPOSED CONCRETE AND/OR CAST IRON FITTINGS ARE TO BE COATED WITH COPPER-BASED TAR EPOXY (SOLAR PROTECTANT) AND INSTALLED PER THE MANUFACTURER'S RECOMMENDATIONS.



MATERIAL SCHEDULE

NO	DESCRIPTION	SIZE	QUANT
1	SUBMERSIBLE SEWER PUMP, ESSCO MODEL 493 3/4" HP, 1/2" TORQUE FLUID PUMP, NO. 5 GPM AT 36 FT T.D.H., RELIANCE SUBMERSIBLE MOTOR 5 HP AT 1750 R.P.M. UL TEMP CLASS 1, GROUP D WITH 25 FT OF 3 WIRE CONTROL AND POWER CABLE, TWO SEPARATE SEALS, OIL LUBRICATED 30 DAY WARNING SYSTEM, N.C. THERMAL PROTECTION WITH ESSCO COOL AGENT APPARATUS, (PATENT NO. 4,194,711)		2 EA
2	FLEXIBLE DISCHARGE HOSE, 75 LB WORKING PRESSURE, ACID RESISTANT WITH DOUBLE SS CLAMPS AND CAD. PLATED NIPPLES.		2 LF
3	LIFTING CABLE, 1/4" x 5/16" x 16', SS, NYLON COVERED, 6300 LB TENSILE STRENGTH		2 LF
4	CONTROL AND POWER CABLE, SHALL BE U.L. APPROVED (1 REQUIRED FOR EACH PUMP MOTOR)		2 LF
5	PUMP CONTROL PANEL, ESSCO STYLE D, NEMA 3R VANDAL PROOF, DOUBLE DOOR, FACTORY WIRED AND TESTED, PRESET ELECTRIC CONTROL PANEL, INDICATING LIGHTS, AS REQUIRED, RELAYS, HOA, COMBINATION STARTERS WITH QUICK TRIP HEATERS, PUMP ALTERNATORS		1 EA
6	4" SCHEDULE 80 DRAIN PIPE		2 LF
7	FLANGED CAST IRON 90° BEND	4"	2 EA
8	WASH DOWN AND VACUUM BREAKER (ESSCO PATENT)		2 EA
9	FLANGED x PLAIN END CAST IRON SPOOL	4"	2 EA
10	FLANGED CAST IRON COUPLING ADAPTOR (BAKER STYLE 601 OR APPROV EQUAL)	4"	2 EA
11	FLANGED SWING CHECK VALVE, W/LEVER AND WEIGHT	4"	2 EA
12	FLANGED GATE VALVE, NON-RISING STEM.	4"	2 EA
13	FLANGED CAST IRON 45° BEND	4"	2 EA
14	FLANGED CAST IRON TRUE WYE	4"	1 EA
15	FLANGED CAST IRON TEE	4"	1 EA
16	FLANGED GATE VALVE, NON-RISING STEM	4"	1 EA
17	CAST IRON BLIND FLANGE	4"	1 EA
18	EYE BOLT 3/4" DIA. S.S.		2 EA
19	FLANGED 4" x 6" CAST IRON REDUCER		1 EA
20	PEABODY BARNES 7361Z MERCURY FLOAT SWITCH		4 EA
21	2" DIA CONDUIT (PVC SCH 80 OR APPROV EQUAL)		16 REQD

BENCH MARK:
BENCH MARK NO G2-A
BRASS DISC STAMPED (G2-A) IN
CONC IN MOST W'LY TRAFFIC ISLAND
AT ARLINGTON AVE AND LA SIERRA
AVE (FB735/58A)
ELEV = 865 079

CSL ENGINEERING, INC.
1807 W Sixth Street Suite 216-B Corona, CA 92720 (714) 787-8190
PREPARED UNDER THE SUPERVISION OF
Richard A. Scianini 7-13-87
RICHARD A. SCIANNINI R.C.E. 25917

MARK REVISIONS APPR DATE
DESIGNED BY: *DL* DRAWN BY: *DS* CHECKED BY: *DL*

CITY OF RIVERSIDE
PUBLIC WORKS DEPARTMENT
APPROVED BY: *Barry Beck*
DATE: 12/14/87

SEWER IMPROVEMENT PLANS FOR
TRACT 22238
SEWER PUMP STATION
HORIZ. SCALE: 1" = ... VERT. SCALE: 1" = ...

ACCOUNT NO. 6-1485
SHEET **7.7** OF 7