

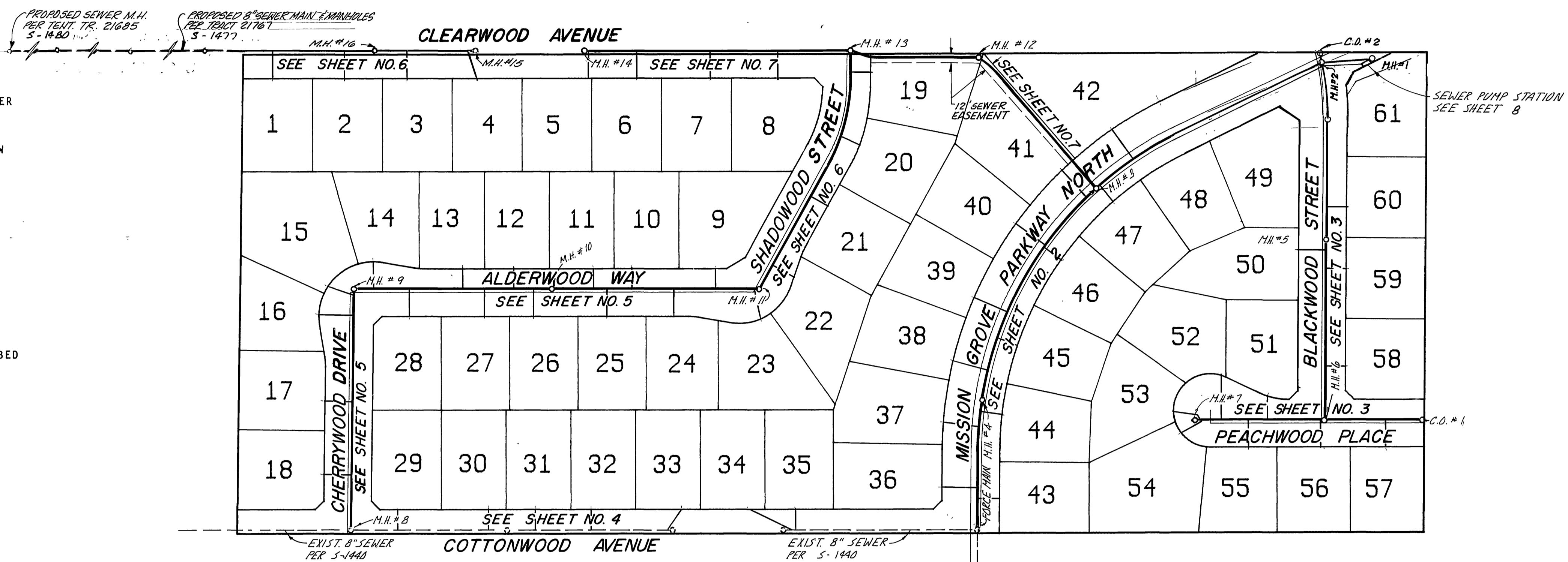
GENERAL NOTES

1. THE PRIVATE ENGINEER SIGNING THESE PLANS IS RESPONSIBLE FOR THE ACCURACY AND ACCEPTABILITY OF THE WORK HEREON. IN THE EVENT OF DISCREPANCIES ARISING DURING CONSTRUCTION THE PRIVATE ENGINEER SIGNING THE PLANS SHALL BE RESPONSIBLE FOR DETERMINING AN ACCEPTABLE SOLUTION AND REVISING THE PLANS FOR APPROVAL BY THE CITY.
2. IT SHALL BE THE RESPONSIBILITY OF THE CONTRACTOR TO CLEAR THE RIGHT-OF-WAY IN ACCORDANCE WITH THE PROVISIONS OF LAW AS IT AFFECTS EACH UTILITY INCLUDING IRRIGATION LINES AND APPURTENANCES AND AT NO COST TO THE CITY.
3. CONSTRUCTION SHALL BE IN ACCORDANCE WITH THE CITY OF RIVERSIDE DEPARTMENT OF PUBLIC WORKS, STANDARD DRAWINGS, STANDARD DRAWING NO. 10 AND THE STANDARD SPECIFICATIONS FOR PUBLIC WORKS CONSTRUCTION, CURRENT EDITION.
4. LOCATION OF LATERALS TO BE DETERMINED IN THE FIELD AT THE DIRECTION OF THE OWNER. AVOID CONFLICT WITH PROPOSED AND/OR EXISTING FACILITIES.
5. CONTRACTOR IS TO VERIFY EXISTING SEWER ELEVATION PRIOR TO CONSTRUCTION.
6. THE SEWER CONTRACTOR SHALL ADJUST MANHOLES TO FINAL GRADE AFTER PAVING IS COMPLETED.
7. NO FINISHED FLOOR ELEVATION SHALL BE LESS THAN 4' ABOVE THE SEWER FLOW LINE AT THE POINT OF CONNECTION WITHOUT HAVING A PROPER BACKWATER VALVE INSTALLED IN THE LATERAL.
8. A PLUG SHALL BE INSTALLED AND WILL REMAIN IN PLACE WHERE THE NEW SEWER CONNECTS WITH THE EXISTING SEWER UNTIL THE NEW SEWER IS ACCEPTED BY THE CITY OF RIVERSIDE.
9. ALL MANHOLES TO BE RIVERSIDE CITY STD. NO. 500.
10. ALL FLAGGED ELEVATIONS SHALL BE STAKED IN THE FIELD BY PRIVATE ENGINEER.
11. THE CONTRACTOR SHALL CALL IN A LOCATION REQUEST TO UNDERGROUND SERVICE ALERT (USA), PHONE NO. 1-800-422-4133, TWO WORKING DAYS BEFORE DIGGING. NO CONSTRUCTION PERMIT WILL BE ISSUED BY THE PUBLIC WORKS DEPARTMENT INVOLVING EXCAVATION FOR UNDERGROUND FACILITIES UNLESS THE APPLICANT HAS BEEN PROVIDED AN INQUIRY IDENTIFICATION NUMBER BY U.S.A.
12. THE DEVELOPER SHALL BE RESPONSIBLE FOR THE PRESERVING OR RE-ESTABLISHING AND REFERENCING SURVEY MONUMENTS DESTROYED, DISTURBED OR BURIED AS A RESULT OF CONSTRUCTION SHOWN HEREON.

# SEWER IMPROVEMENT PLANS

FOR

## TRACT 22480



INDEX MAP  
SCALE: 1"=100'

CONSTRUCTION NOTES AND QUANTITY ESTIMATE

1	CONSTRUCT 8" V.C.P.	3780	L.F.
2	CONSTRUCT MANHOLES PER CITY OF RIVERSIDE STD. DWG. NO. 500	12	E.A.
3	CONSTRUCT 4" V.C.P. LATERALS PER CITY OF RIVERSIDE STD. DWG. NO. 562	2202	L.F.
4	CONSTRUCT MANHOLE PER CITY OF RIVERSIDE STD. DWG. NO. 500 OVER EXISTING SEWER	1	E.A.
5	SADDLE EXISTING 8" SEWER MAIN	11	E.A.
6	CONSTRUCT CLEANOUT PER CITY OF RIVERSIDE STD. DWG. NO. 560	2	E.A.
7	REMOVE AND REPLACE EXISTING A.C. PAVEMENT	580	S.F.
8	CONSTRUCT 6" P.V.C. (SCH. 80) FORCE MAIN	927	L.F.
9	45° BEND (SCH. 80) AND THRUST BLOCK (CWD-030)	1	E.A.
10	22½° BEND (SCH. 80) AND THRUST BLOCK (CWD-030)	2	E.A.
11	CONSTRUCT 5' DIAMETER MANHOLE (SEE SHEET 8)	1	E.A.
12	SEWER PUMP STATION (SEE SHEET 8)	1	E.A.
13	RECONSTRUCT MANHOLE BOTTOM	1	E.A.

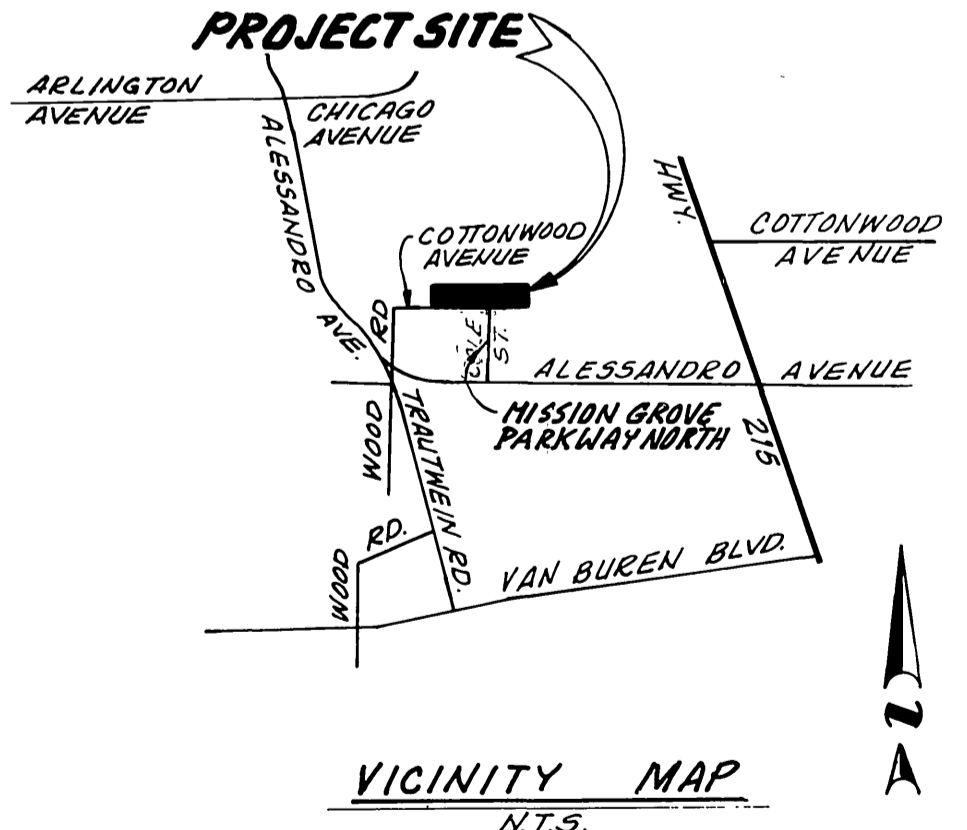
NOTE: QUANTITIES SHOWN HEREON ARE FOR PERMIT AND/OR BONDING PURPOSES ONLY, AND SHOULD NOT BE USED FOR BIDDING. CONTRACTOR IS RESPONSIBLE TO DETERMINE HIS OWN QUANTITIES AND TO BID A COMPLETE JOB.

PRIVATE ENGINEER'S NOTICE TO CONTRACTORS

THE EXISTENCE AND LOCATION OF ANY UNDERGROUND UTILITIES OR STRUCTURES SHOWN ON THESE PLANS ARE OBTAINED BY A SEARCH OF AVAILABLE RECORDS AND TO THE BEST OF OUR KNOWLEDGE, THERE ARE NO EXISTING UTILITIES EXCEPT THOSE SHOWN ON THIS PLAN. THE CONTRACTOR IS REQUIRED TO TAKE ALL PRECAUTIONARY MEASURES TO PROTECT THE UTILITIES SHOWN, AND ANY OTHER LINES OR STRUCTURES NOT SHOWN ON THESE PLANS, AND IS RESPONSIBLE FOR THE PROTECTION OF, AND ANY DAMAGE TO THESE LINES OR STRUCTURES.

CONSTRUCTION CONTRACTOR AGREES THAT IN ACCORDANCE WITH GENERALLY ACCEPTED CONSTRUCTION PRACTICES, CONSTRUCTION CONTRACTOR WILL BE REQUIRED TO ASSUME SOLE AND COMPLETE RESPONSIBILITY FOR JOB SITE CONDITIONS DURING THE COURSE OF CONSTRUCTION OF THIS PROJECT, INCLUDING SAFETY OF ALL PERSONS AND PROPERTY; THAT THIS REQUIREMENT SHALL APPLY CONTINUOUSLY AND NOT BE LIMITED TO NORMAL WORKING HOURS, AND CONSTRUCTION CONTRACTOR FURTHER AGREES TO, DEFEND, INDEMNIFY, AND HOLD DESIGN PROFESSIONAL AND OWNER HARMLESS FROM ANY AND ALL LIABILITY, REAL OR ALLEGED, IN CONNECTION WITH THE PERFORMANCE OF WORK ON THIS PROJECT.

THE CONTRACTOR SHALL BE RESPONSIBLE TO REPORT DISCREPANCIES IN PLANS AND/OR FIELD CONDITIONS IMMEDIATELY TO THE DESIGN ENGINEER FOR RESOLUTION PRIOR TO CONSTRUCTION, AND SHALL BE RESPONSIBLE FOR DISCREPANCIES NOT SO REPORTED AND RESOLVED.



WESTERN MUNICIPAL WATER DISTRICT  
REVIEWED BY: *[Signature]* 10-22-87  
DATE: 10-22-87  
CHIEF ENGINEER

BENCH MARK:  
CITY OF RIVERSIDE B.M. F8-E P.K.  
MAIL AND CITY TAG TOP OF LARGE  
ROCK 70' S'LY OF ALESSANDRO BLVD.  
AND 0.60 MI. S'ELY OF VIA VISTA DR.  
NEAR PP. 775963-H  
ELEV. = 1502.195'

CSL ENGINEERING, INC.  
1307 W. Sixth Street Suite 216-B Corona, CA 91720 (714) 737-8190  
PREPARED UNDER THE SUPERVISION OF:  
*Richard A. Scianni* 7-27-87  
RICHARD A. SCIANNI, R.C.E. 25917 DATE: 7-27-87

MARK	REVISIONS	APPR. DATE
DESIGNED BY: R.A.	DRAWN BY: V.S.	CHECKED BY: D.C.

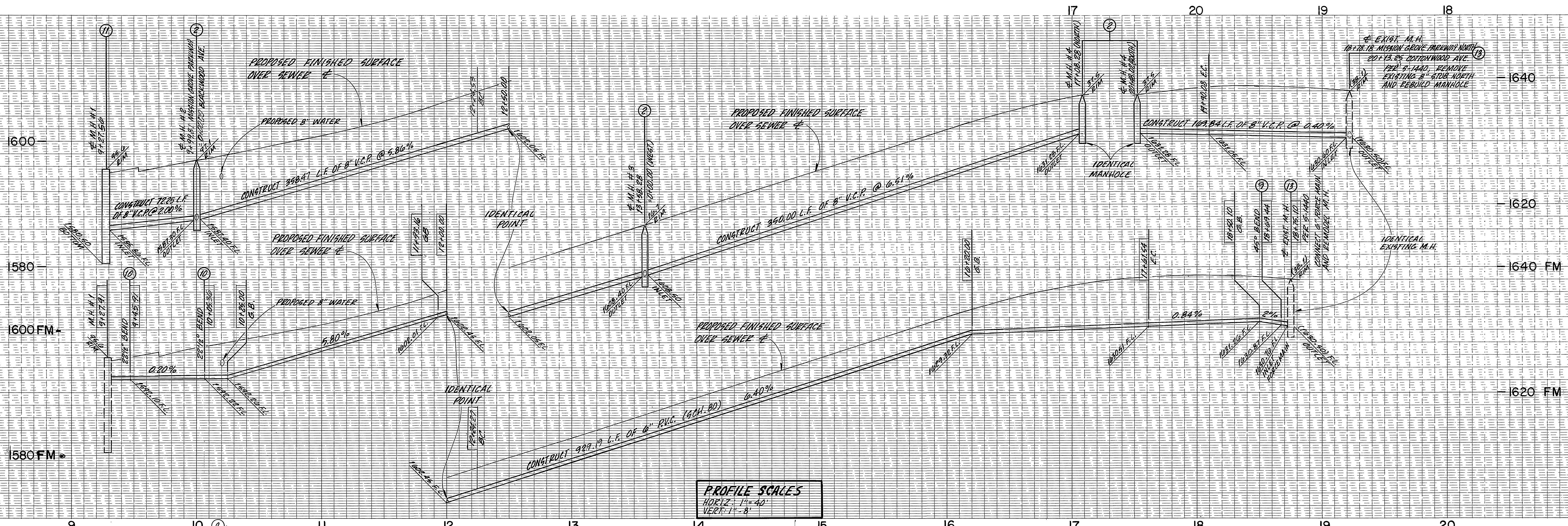
CITY OF RIVERSIDE  
PUBLIC WORKS DEPARTMENT

APPROVED BY	DATE	BY	APPROVED BY
PRINCIPAL ENGINEER	11-16-87	<i>[Signature]</i>	PUBLIC WORKS DIRECTOR
TRAFFIC DIVISION	11-16-87	<i>[Signature]</i>	DATE: 11/18/87

AS BUILT 9/24/86 RUM INDEXED 12-8-87

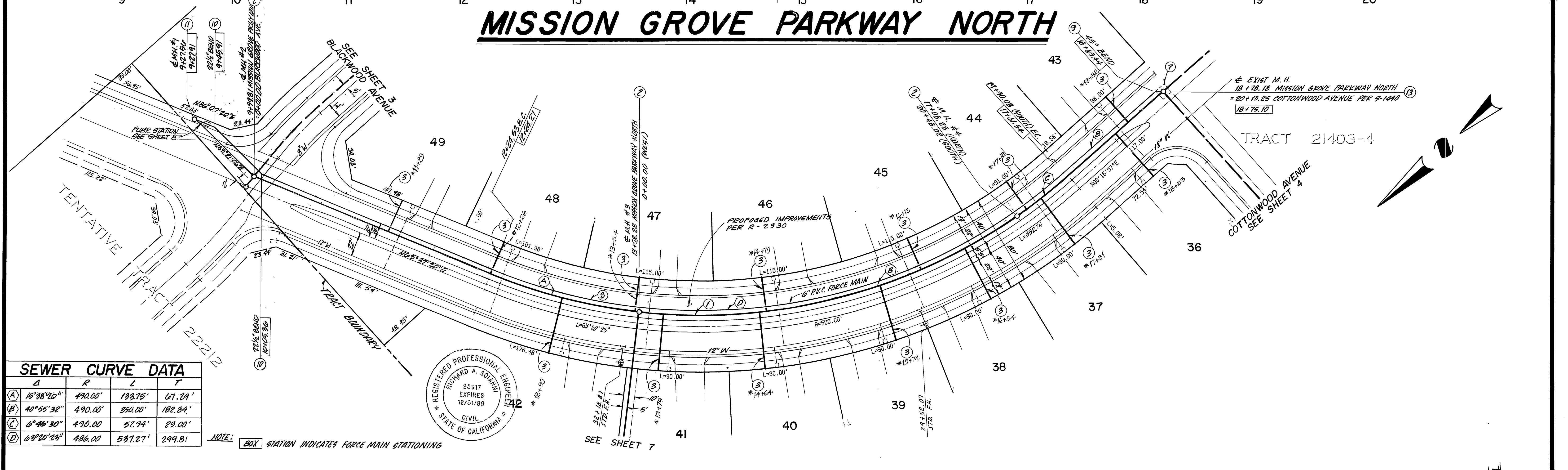
TITLE SHEET  
SEWER IMPROVEMENT PLANS  
FOR  
TRACT 22480

ACCOUNT NO. 5-1486  
SHEET 1 OF 8



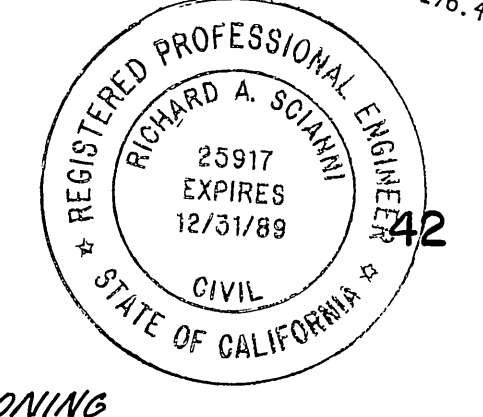
PROFILE SCALES  
 HORIZ: 1"=40'  
 VERT: 1"=8'

# MISSION GROVE PARKWAY NORTH



SEWER CURVE DATA				
	Δ	R	L	T
(A)	15° 06' 20"	490.00'	133.75'	67.29'
(B)	40° 55' 32"	490.00'	350.00'	182.84'
(C)	6° 46' 30"	490.00'	57.94'	29.00'
(D)	63° 40' 33"	486.00'	587.21'	249.81'

NOTE: BOX STATION INDICATES FORCE MAIN STATIONING



WESTERN MUNICIPAL WATER DISTRICT  
 REVIEWED BY: \_\_\_\_\_  
 BY: \_\_\_\_\_ 10-22-87  
 CHIEF ENGINEER DATE

BENCH MARK:  
 CITY OF RIVERSIDE B.M. F8-E P.K.  
 NAIL AND CITY TAG TOP OF LARGE  
 ROCK 70 SLY OF ALESSANDRO BLVD.  
 AND 0.60 MI. SLY OF VIA VISTA DR.  
 NEAR P.P. NO. 775963-H

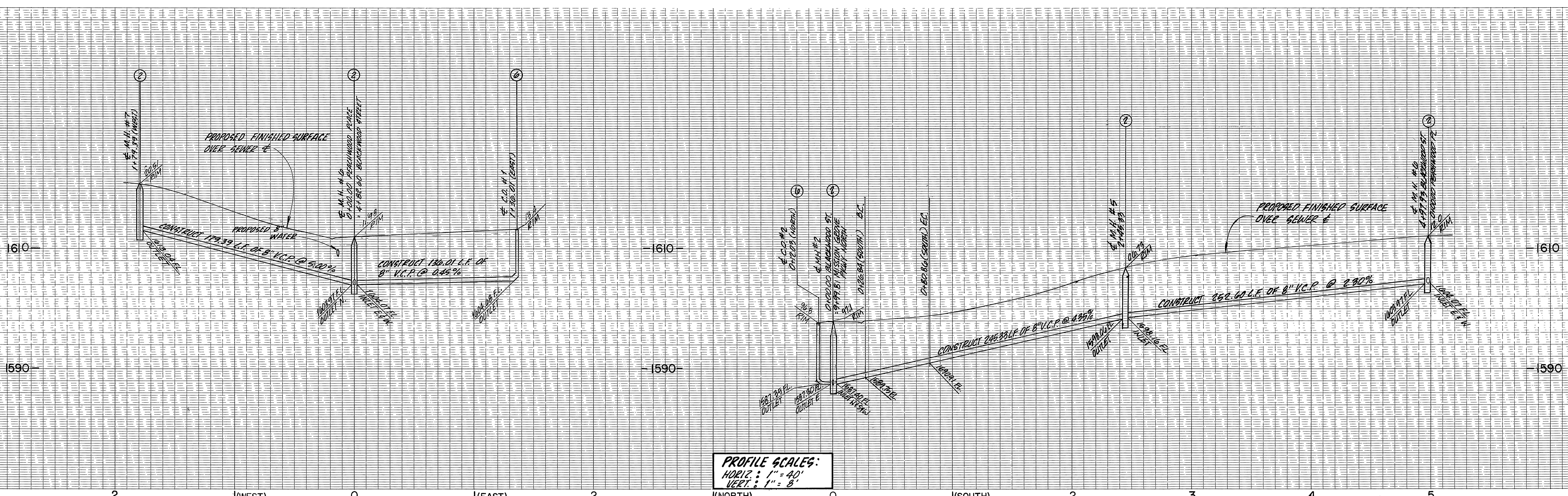
**CSL ENGINEERING, INC.**  
 1307 W. Sixth Street Suite 216-B Corona, CA 91720 (714) 737-8190  
 PREPARED UNDER THE SUPERVISION OF  
 Richard A. Scianni 7-27-87  
 RICHARD A. SCIANNI R.C.E. NO. 25917 DATE:

MARK	REVISIONS	APPR. DATE

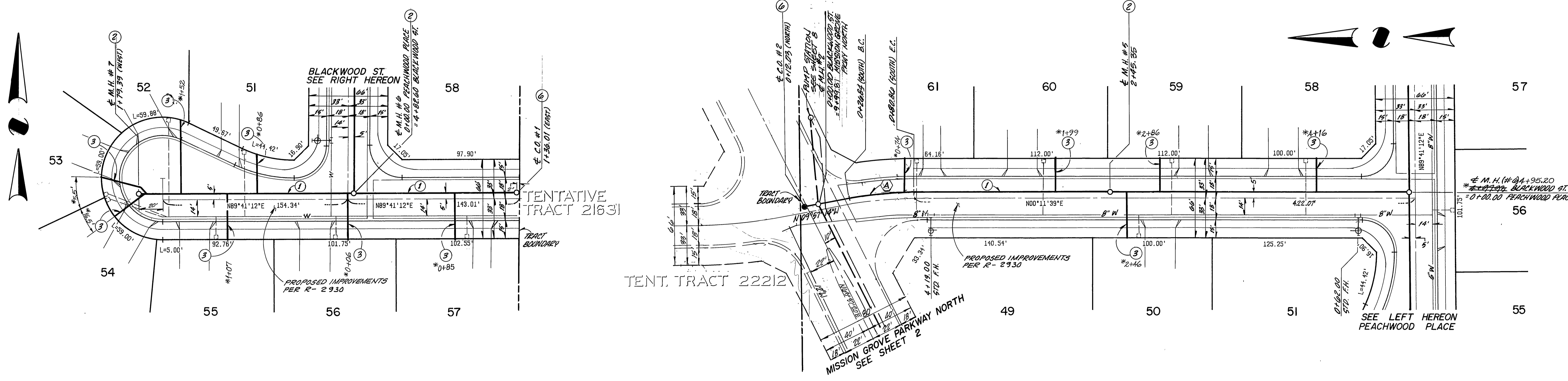
**CITY OF RIVERSIDE**  
**PUBLIC WORKS DEPARTMENT**  
 APPROVED BY: \_\_\_\_\_ DATE: 11-16-87  
 PRINCIPAL ENGINEER  
 PARK DEPARTMENT  
 TRAFFIC DIVISION  
 CHIEF P.W. ENGINEER  
 DATE: 11/18/87

SEWER IMPROVEMENT PLANS  
 FOR  
**TRACT 22480**  
 MISSION GROVE PARKWAY NORTH  
 HORIZ. SCALE: 1"=40' VERT. SCALE: 1"=8'

ACCOUNT NO. 5-1486  
 SHEET 2 OF 8



PROFILE SCALES:  
 HORIZ : 1" = 40'  
 VERT : 1" = 8'



**PEACHWOOD PLACE**

**BLACKWOOD STREET**



SEWER CURVE DATA				
Δ	R	L	T	
A	10°08'28"	305.00'	54.00'	27.08'

WESTERN MUNICIPAL WATER DISTRICT  
 REVIEWED BY: *[Signature]*  
 CHIEF ENGINEER  
 DATE: 10-22-87

BENCH MARK:  
 CITY OF RIVERSIDE B.M. F8-E P.K.  
 NAIL AND CITY TAG TOP OF LARGE  
 ROCK 70' S'LY OF ALESSANDRO BLVD.  
 AND 0.60 MI. S'LY OF VIA VISTA DR.  
 NEAR P.P. NO. 775963-H  
 ELEV. = 1502.195'

**CSL ENGINEERING, INC.**  
 1307 W. Sixth Street Suite 216-B Corona, CA 91720 (714) 737-8190  
 PREPARED UNDER THE SUPERVISION OF  
*Richard A. Scanni* 7-27-87  
 RICHARD A. SCIANNI R.C.E. NO. 25917 DATE:

DESIGNED BY: *RA* DRAWN BY: *LS* CHECKED BY: *DC*

**CITY OF RIVERSIDE PUBLIC WORKS DEPARTMENT**  
 APPROVED BY: *[Signature]* DATE: 11-16-87  
 PRINCIPAL ENGINEER  
 PARK DEPARTMENT  
 TRAFFIC DIVISION  
 CHIEF P.W. ENGINEER  
 DATE: 11/18/87

SEWER IMPROVEMENT PLANS  
 FOR  
**TRACT 22480**  
 PEACHWOOD PLACE  
 & BLACKWOOD STREET  
 HORIZ. SCALE: 1" = 40' VERT. SCALE: 1" = 8'

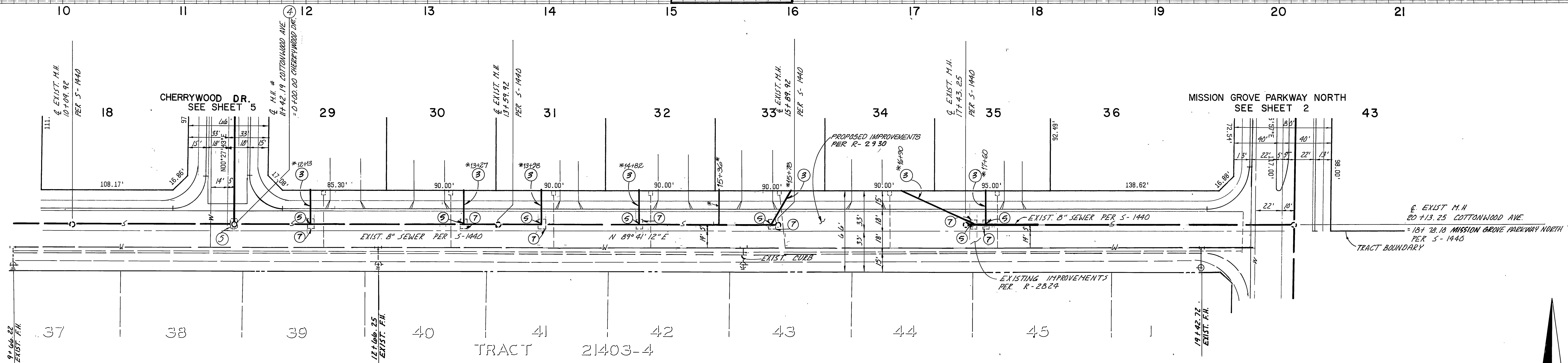
ACCOUNT NO. 5-1486  
 SHEET 3 OF 8

1640

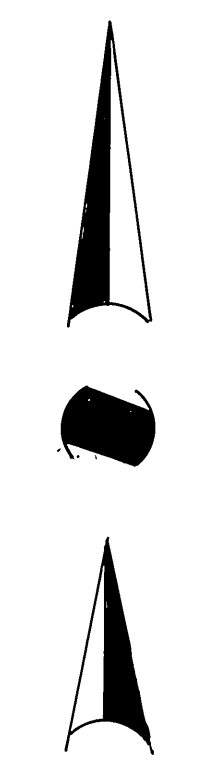
1630

1620

PROFILE SCALES  
HORIZ. 1"=40'  
VERT. 1"=8'



# COTTONWOOD AVENUE



WESTERN MUNICIPAL WATER DISTRICT  
 REVIEWED BY: *[Signature]*  
 BY: *[Signature]* 10-22-87  
 CHIEF ENGINEER DATE

BENCH MARK:  
 CITY OF RIVERSIDE B.M. F8-E P.K.  
 NAIL AND CITY TAG TOP OF LARGE  
 ROCK 70' S'LY OF ALESSANDRO BLVD  
 AND 0.60 MI. S'ELY OF VIA VISTA DR.  
 NEAR P.P. NO. 77563-H  
 ELEV.=1502.195'

**CSL ENGINEERING, INC.**  
 1307 W. Sixth Street Suite 216-B Corona, CA 91720 (714) 737-8190  
 PREPARED UNDER THE SUPERVISION OF  
*Richard A. Scianni* 7-27-87  
 RICHARD A. SCIANNI R.C.E. NO. 25917 DATE:

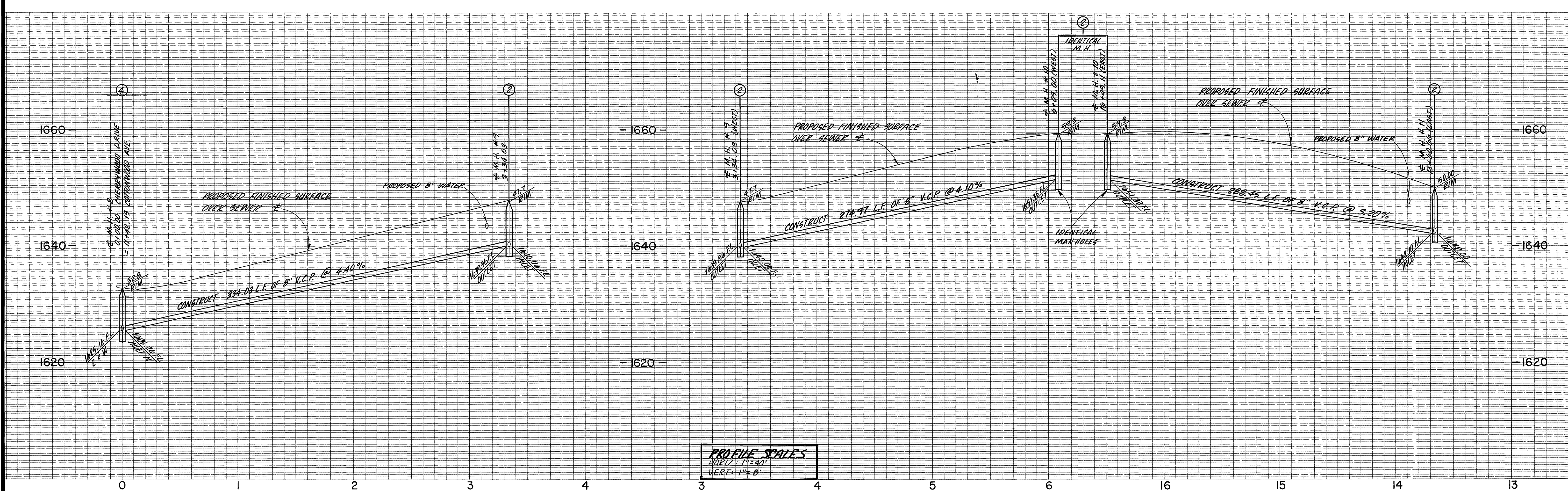
MARK	REVISIONS	APPR. DATE

**CITY OF RIVERSIDE PUBLIC WORKS DEPARTMENT**

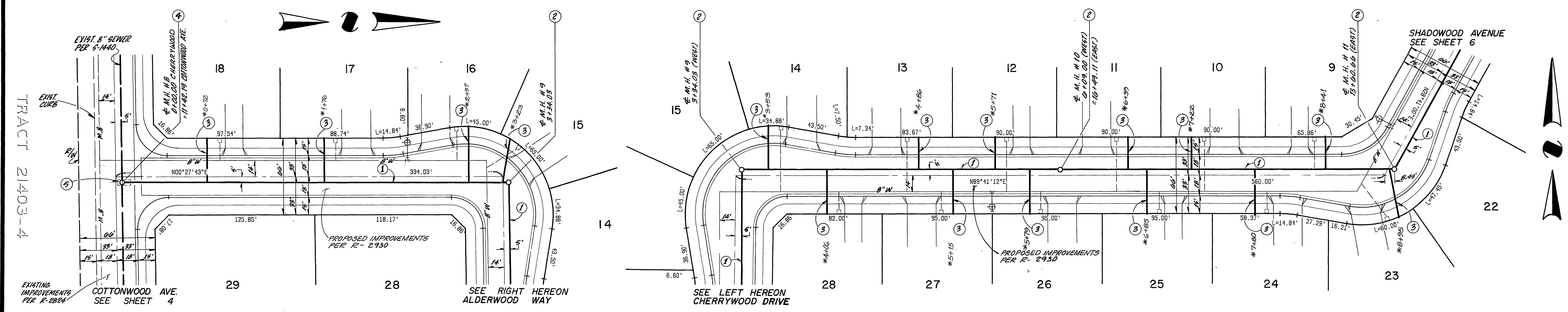
APPROVED BY	DATE	BY
PRINCIPAL ENGINEER	11-16-87	<i>[Signature]</i>
PARK DEPARTMENT		
TRAFFIC DIVISION	11-15-87	<i>[Signature]</i>
CHIEF P.W. ENGINEER	11-18-87	<i>[Signature]</i>

SEWER IMPROVEMENT PLANS  
 FOR  
**TRACT 22480**  
 COTTONWOOD AVENUE  
 HORIZ. SCALE: 1"=40' VERT. SCALE: 1"=4'

ACCOUNT NO. 5-1486  
 SHEET 4 OF 8



**PROFILE SCALES**  
 HORIZ: 1"=40'  
 VERT: 1"=8'



**CHERRYWOOD DRIVE**

**ALDERWOOD WAY**



WESTERN MUNICIPAL WATER DISTRICT  
 REVIEWED BY:  
 BY: *[Signature]* 10-22-87  
 CHIEF ENGINEER DATE

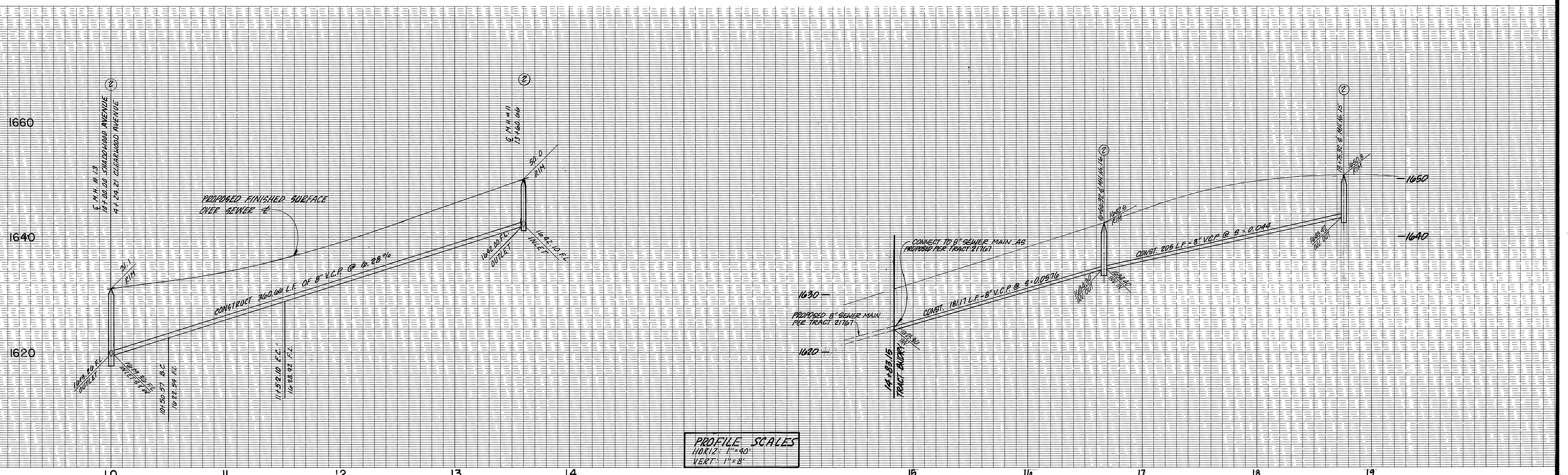
BENCH MARK:  
 CITY OF RIVERSIDE B.M. F8-E P.K.  
 NAIL AND CITY TAG TOP OF LARGE  
 ROCK 70' S'LY OF ALESSANDRO BLVD.  
 AND 060 MI. S'LY OF VIA VISTA DR.  
 NEAR P.P. NO. 775963-H  
 ELEV.=1502.195'

**CSL ENGINEERING, INC.**  
 1307 W. Sixth Street Suite 216-B Corona, CA 91720 (714) 737-8190  
 PREPARED UNDER THE SUPERVISION OF  
*Richard A. Sciami* 7-27-87  
 RICHARD A. SCIANNI R.C.E. NO. 25917 DATE:

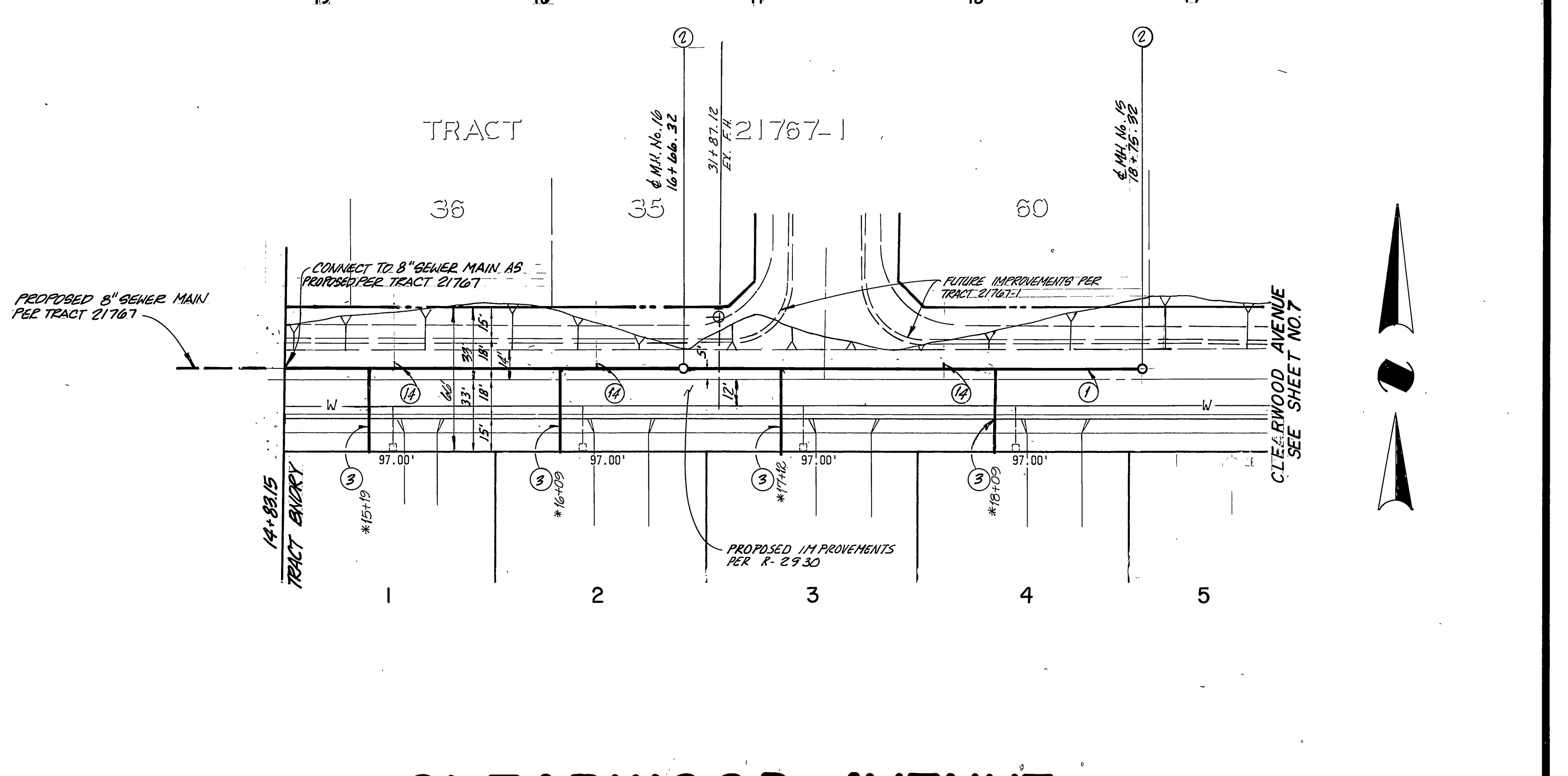
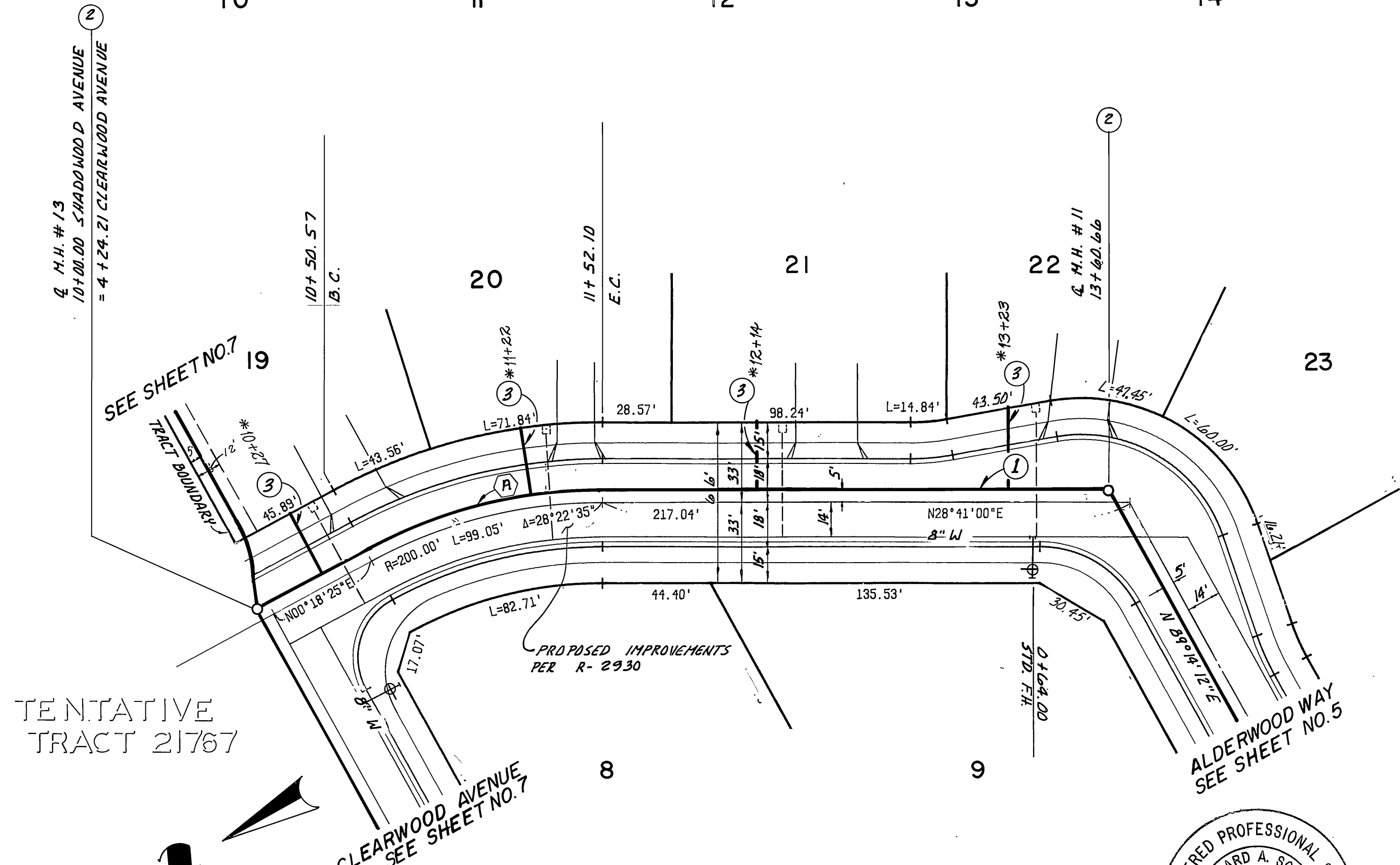
MARK	REVISIONS	APPR.	DATE

**CITY OF RIVERSIDE PUBLIC WORKS DEPARTMENT**  
 APPROVED BY: *[Signature]* DATE: 11/18/87  
 PUBLIC WORKS DIRECTOR  
 CHIEF P. W. ENGINEER  
 DATE: 11/18/87

SEWER IMPROVEMENT PLANS ACCOUNT NO.  
 TRACT 22480  
 CHERRYWOOD DRIVE & ALDERWOOD WAY  
 SHEET 5 OF 8  
 HORIZ. SCALE: 1"=40' VERT. SCALE: 1"=8'



PROFILE SCALES  
 HORIZ: 1"=40'  
 VERT: 1"=8'



# SHADOWWOOD STREET

# CLEARWOOD AVENUE



SEWER CURVE DATA			
Δ	R	L	T
28°22'35"	205.00'	101.53'	51.83'

WESTERN MUNICIPAL WATER DISTRICT  
 REVIEWED BY: *[Signature]*  
 BY: *[Signature]* 10-22-87  
 CHIEF ENGINEER DATE

BENCH MARK:  
 CITY OF RIVERSIDE B.M. F8-E P.K.  
 NAIL AND CITY TAG TOP OF LARGE  
 ROCK 70'S'LY OF ALESSANDRO BLVD.  
 AND 0.60 MI. S'LY OF VIA VISTA DR.  
 NEAR P.P. NO. 77563-H  
 ELEV.=1502.195'

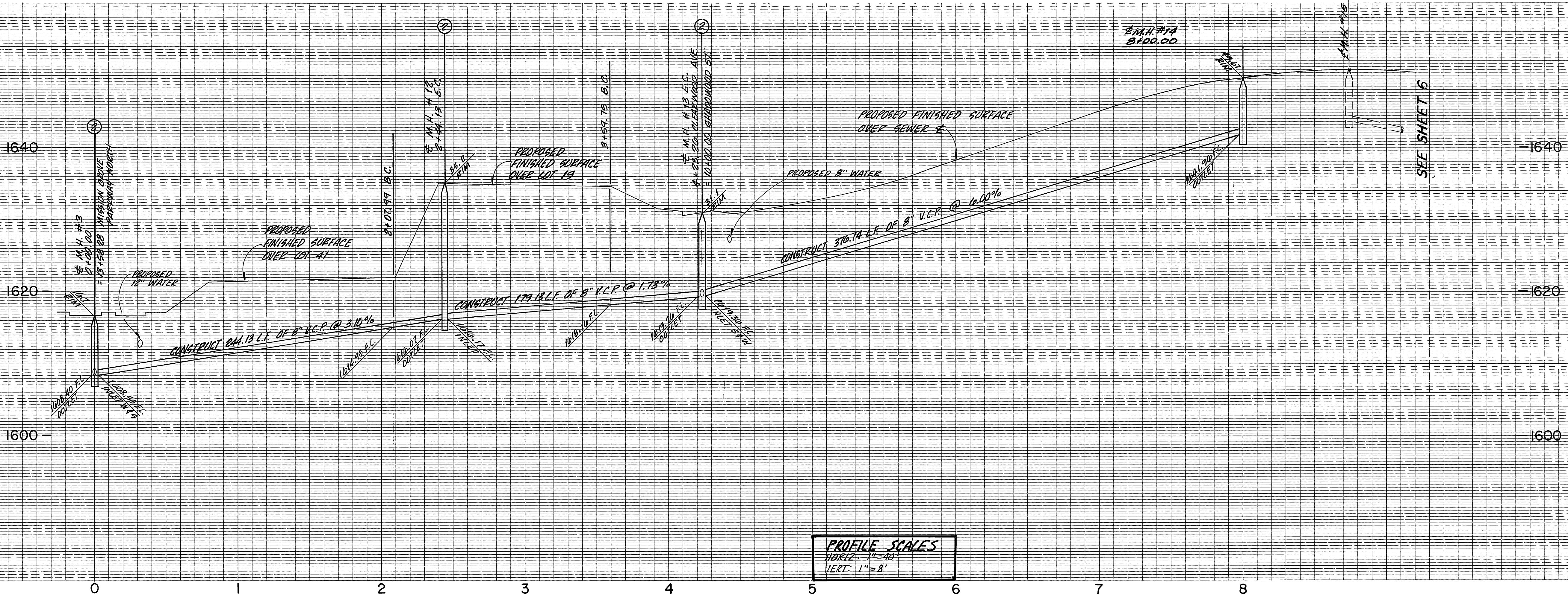
**CSL ENGINEERING, INC.**  
 1307 W. Sixth Street Suite 216-B Corona, CA 91720 (714) 737-8190  
 PREPARED UNDER THE SUPERVISION OF  
*Richard A. Sciamin* 7-27-87  
 RICHARD A. SCIANNI R.C.E. NO. 25917 DATE:

MARK REVISIONS APPR. DATE  
 DESIGNED BY: *[Signature]* DRAWN BY: *[Signature]* CHECKED BY: *[Signature]*

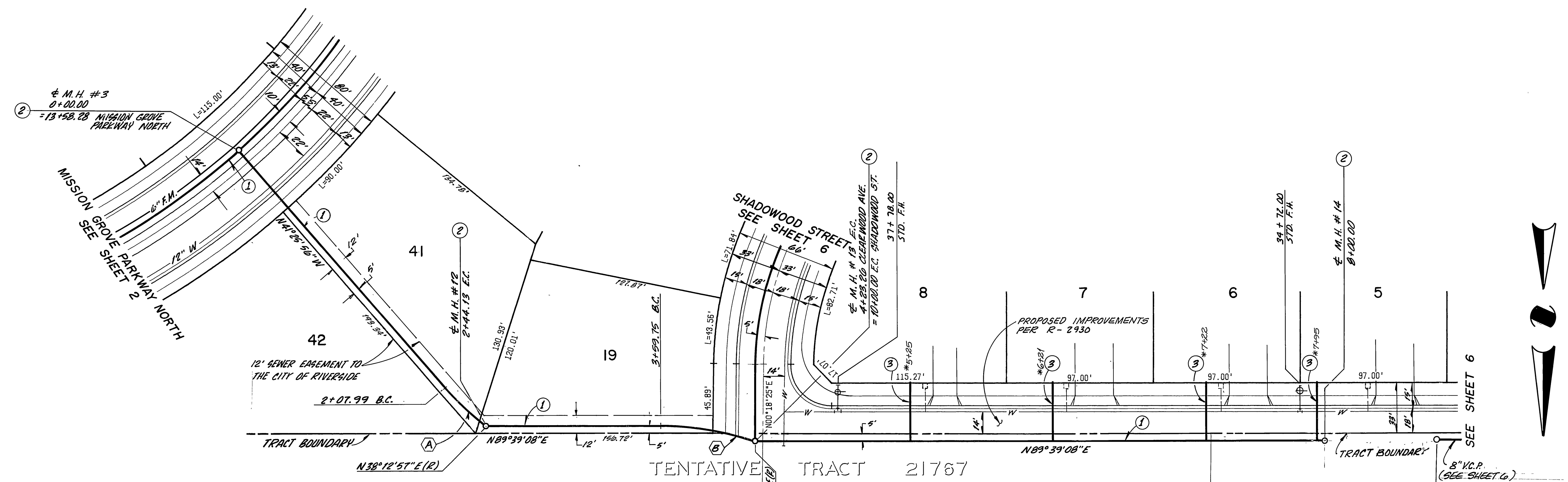
**CITY OF RIVERSIDE PUBLIC WORKS DEPARTMENT**  
 APPROVED BY: *[Signature]* DATE: 11-16-87  
 PRINCIPAL ENGINEER  
 PARK DEPARTMENT  
 TRAFFIC DIVISION  
 CHIEF P.W. ENGINEER  
 APPROVED BY: *[Signature]* DATE: 11/18/87  
 PUBLIC WORKS DIRECTOR

SEWER IMPROVEMENT PLANS  
 FOR  
**TRACT 22480**  
 SHADOWWOOD STREET &  
 CLEARWOOD AVENUE  
 HORIZ. SCALE: 1"=40' VERT. SCALE: 1"=8'

ACCOUNT NO. 5-1486  
 SHEET 6 OF 8



PROFILE SCALES  
 HORIZ. 1" = 40'  
 VERT. 1" = 8'



SEWER CURVE DATA				
Δ	R	L	T	
A	10° 21' 07"	200.00'	36.14'	18.12'
B	18° 11' 42"	200.00'	63.51'	32.03'

# CLEARWOOD AVENUE



WESTERN MUNICIPAL WATER DISTRICT REVIEWED BY: <i>[Signature]</i> BY: <i>[Signature]</i> CHIEF ENGINEER DATE: 10-22-87	BENCH MARK: CITY OF RIVERSIDE B.M. F8-E PK. NAIL AND CITY TAG TOP OF LARGE ROCK TO SLY OF ALESSANDRO BLVD. AND 0.60 MI. SLY OF VIA VISTA DR. NEAR P.P. NO. 775963-H ELEV. = 1502.195'	CSL ENGINEERING, INC. 1307 W. Sixth Street Suite 216-B Corona, CA 91720 (714) 737-8190 PREPARED UNDER THE SUPERVISION OF <i>Richard A. Scianni</i> 7-27-87 RICHARD A. SCIANNI R.C.E. NO. 25917 DATE:	CITY OF RIVERSIDE PUBLIC WORKS DEPARTMENT APPROVED BY: <i>[Signature]</i> DATE: 11/18/87 PRINCIPAL ENGINEER PARK DEPARTMENT TRAFFIC DIVISION CHIEF P.W. ENGINEER	SEWER IMPROVEMENT PLANS TRACT 22480 CLEARWOOD AVENUE HORIZ. SCALE: 1" = 40' VERT. SCALE: 1" = 8'	ACCOUNT NO. 5-1486 SHEET 7 OF 8

