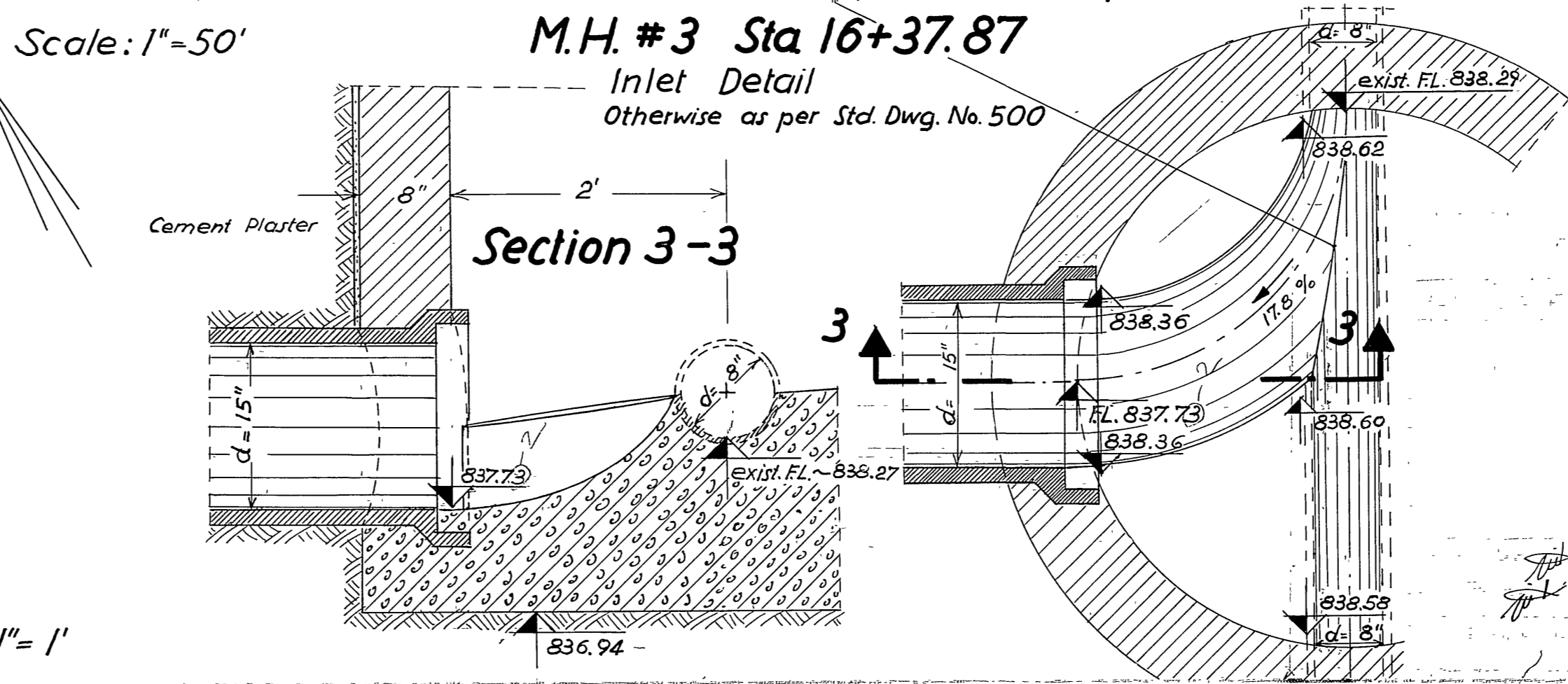
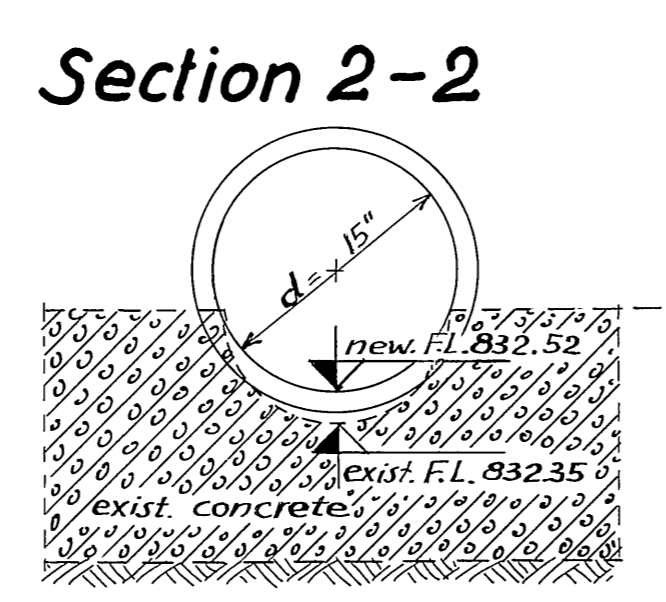
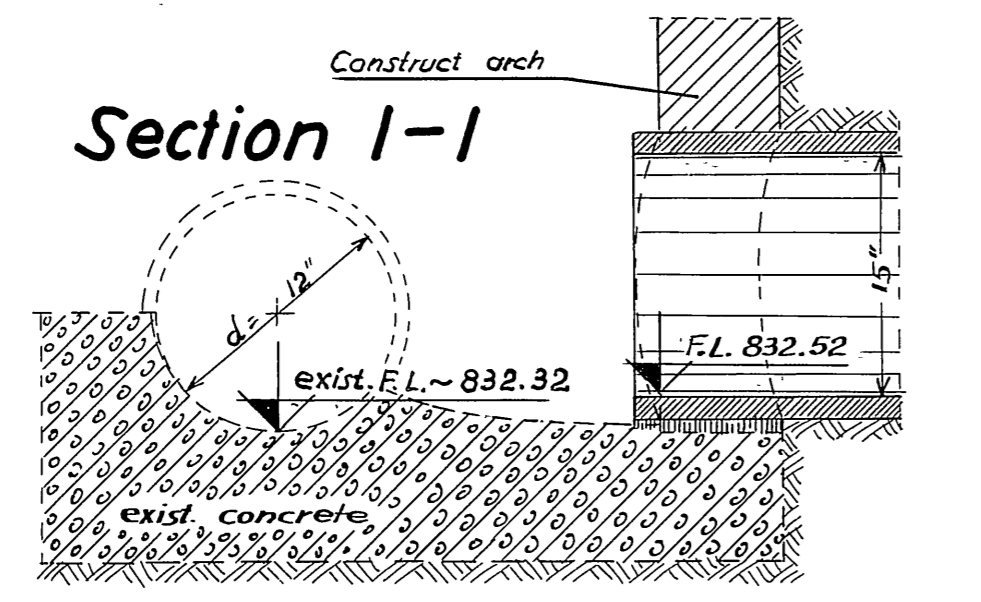
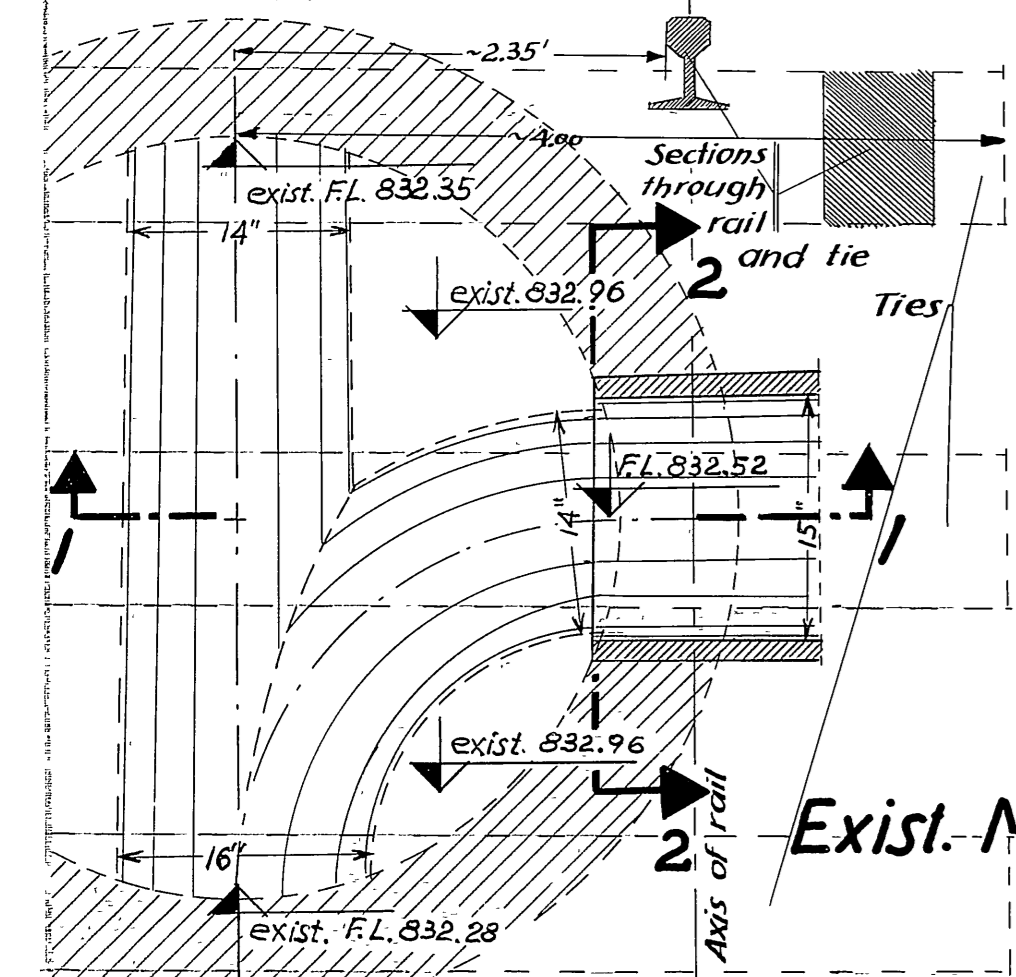
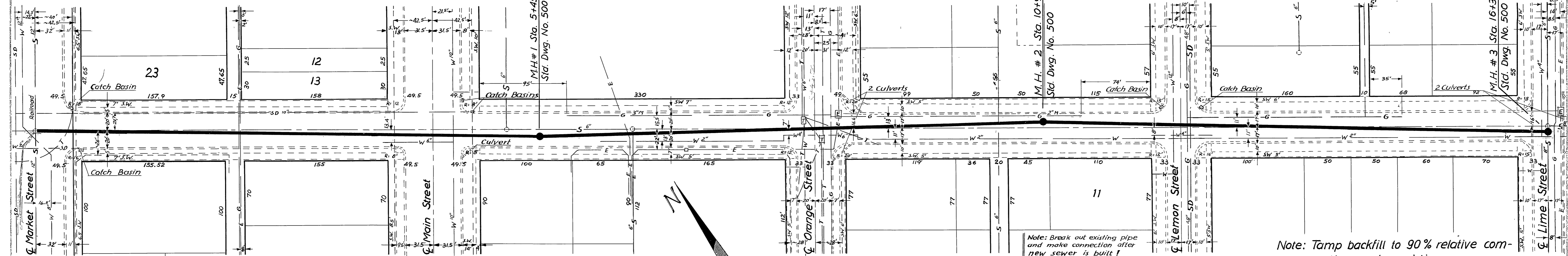


B.M. Elev. 843.51
 Top of I.P. undercap & Main St. & 11th St.
 B.M. Elev. 846.92
 Pin in w.cb. Orange 8' nly. of n.line & 11th St.
 B.M. Elev. 849.24
 Top I.P. under cap. & Lemon & 11th St.

F.B. 644/20-25

Scale: Hor.: 1" = 50'
 Vert.: 1" = 5'



Note: Tamp backfill to 90% relative compaction under existing sewers, telephone, storm drain & railroad!

Brockton Trunk Bypass
 11th St.
 from Lime St. to Market St.

Francis L. Lefebvre
 Nov. 21, 1958
S-150

PROFILE	REVISION	DATE
NOTE BOOK	8	
STRUCTURE	NO. 1	
DATE		