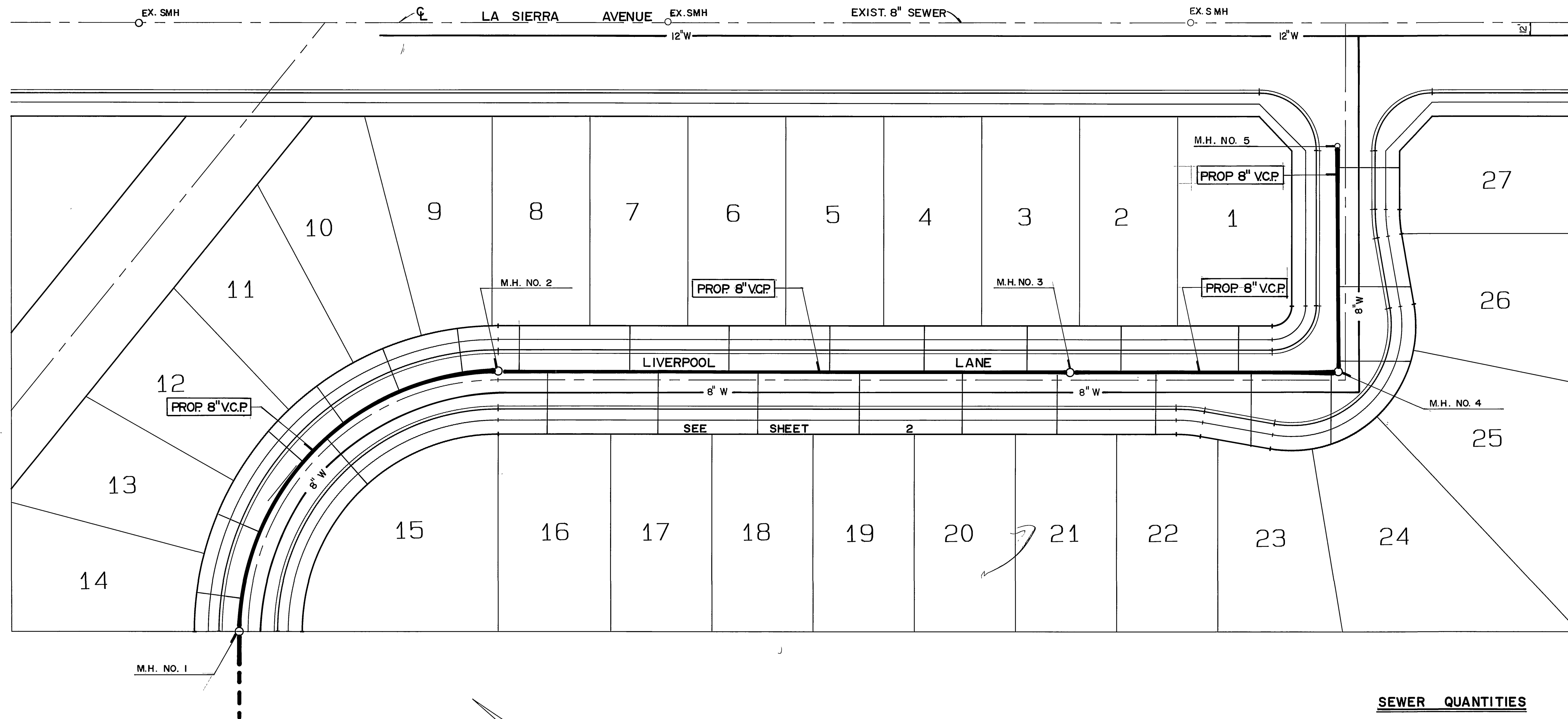


# TRACT 23175 SEWER IMPROVEMENTS



### GENERAL NOTES

1. The private engineer signing these plans is responsible for assuring the accuracy and acceptability of the work hereon. In the event of discrepancies arising during construction, the private engineer shall be responsible for determining an acceptable solution and revising the plans for approval by the City.
2. It shall be the responsibility of the contractor to clear the right of way in accordance with the provisions of law as it affects each utility including irrigation lines and appurtenances and at no cost to the City.
3. Construction shall be in accordance with the City of Riverside Dept. of Public Works, Standard Drawings, Standard Drawing No. 10 and the Standard Specifications for Public Works Construction, current edition.
4. Location of laterals to be determined in the field at the direction of the owner. Avoid conflict with proposed and/or existing facilities.
5. Contractor is to verify existing sewer elevation prior to construction.
6. The sewer contractor shall adjust manholes to final grade after paving is completed.
7. No finished floor elevation shall be less than 4' above the sewer flow line at the point of connection without having a proper backwater valve installed in the lateral.
8. A plug wall shall be installed and will remain in place where the new sewer connects with the existing sewer until the new sewer is accepted by the City of Riverside.
9. All manholes to be Riverside City Std. No. 500.
10. All flagged elevations shall be staked in the field by private engineer.
11. The contractor shall call in a locations request to UNDERGROUND SERVICE ALERT (USA), Phone No. 1-800-422-4133, two working days before digging. No construction permit will be issued by the Public Works Department involving excavation for underground facilities unless the applicant has been provided an Inquiry Identification Number by U.S.A.
12. The developer shall be responsible for preserving or re-establishing and referencing survey monuments destroyed, disturbed or buried as a result of construction shown hereon.

### CONSTRUCTION NOTES (SEWER)

- ① Construct manholes per City of Riverside Std. Dwg. No. 500.
- ② Construct 4" V.C.P. laterals per City of Riverside Std. Dwg. No. 562.
- ③ Construct 8" V.C.P.

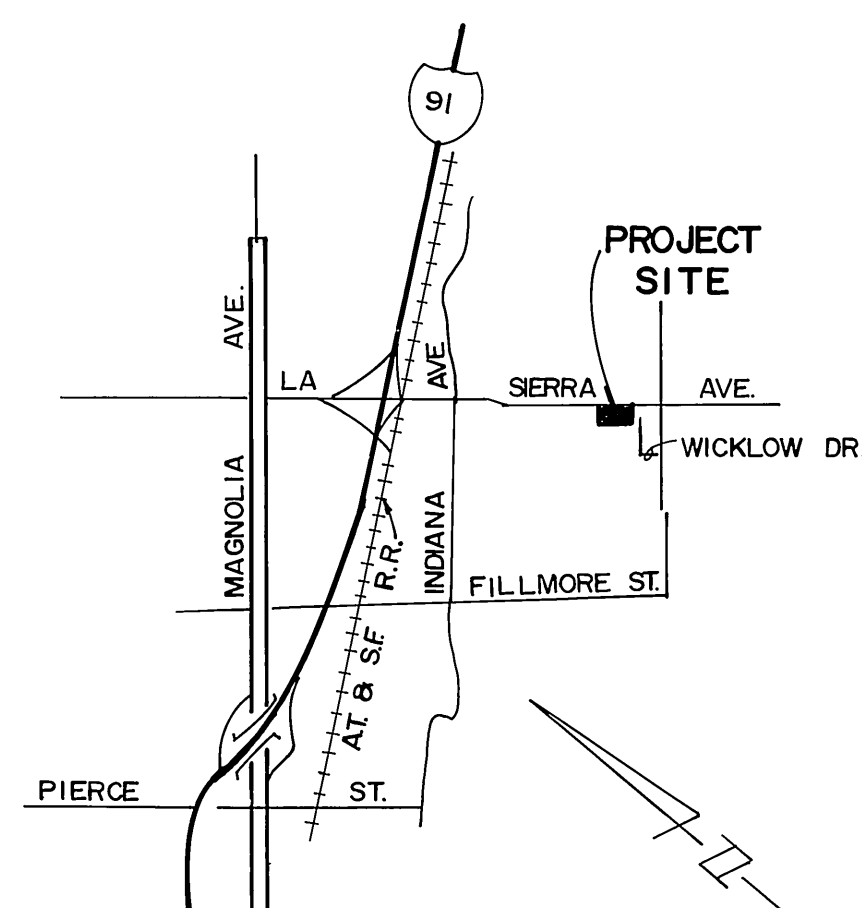
### SEWER QUANTITIES

8" V.C.P. SEWER	903 L.F.
MANHOLES	5 E.A.
4" LATERALS	945 L.F.

### LEGEND

- Proposed 8" V.C.P. Sewer
- Proposed manhole

### INDEX MAP SCALE 1" = 40'



VICINITY MAP  
N.T.S.

CITY OF RIVERSIDE WATER SYSTEM	
BY: <i>R. Mc Heath</i>	DATE: 8-12-88
APPROVED	DATE

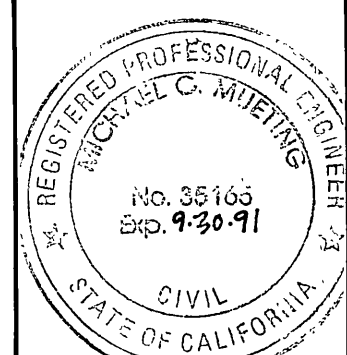
CITY OF RIVERSIDE, CALIFORNIA  
DEPARTMENT OF PUBLIC WORKS

APPROVED BY: <i>[Signature]</i>	BY: <i>[Signature]</i>	DATE: 8-12-88
PRINCIPAL ENGINEER	PARK DEPARTMENT	DIRECTOR OF PUBLIC WORKS
TRAFFIC DIVISION	CHIEF P.W. ENGR	DATE: 1/1/89

SEWER IMPROVEMENT PLANS TRACT 23175	PROJECT NO.
<b>TITLE SHEET</b>	S-1513
FOR: REWARD - LARSON DEVELOPMENT	SHEET 1 OF 2
FILE NO.: 8710336 (M)	

**Underground Service Alert**  
Call: TOLL FREE  
**1-800-422-4133**  
TWO WORKING DAYS BEFORE YOU DIG

**PRIVATE ENGINEERING NOTE**  
CONSTRUCTION CONTRACTOR AGREES THAT IN ACCORDANCE WITH GENERALLY ACCEPTED CONSTRUCTION PRACTICES, CONSTRUCTION CONTRACTOR WILL BE REQUIRED TO ASSUME SOLE AND COMPLETE RESPONSIBILITY FOR JOB SITE CONDITIONS DURING THE COURSE OF CONSTRUCTION OF THE PROJECT, INCLUDING SAFETY OF ALL PERSONS AND PROPERTY; THAT THIS REQUIREMENT SHALL BE MADE TO APPLY CONTINUOUSLY AND NOT BE LIMITED TO NORMAL WORKING HOURS; AND CONSTRUCTION CONTRACTOR FURTHER AGREES TO DEFEND, INDEMNIFY AND HOLD DESIGN PROFESSIONAL HARMLESS FROM ANY AND ALL LIABILITY, REAL OR ALLEGED, IN CONNECTION WITH THE PERFORMANCE OF WORK ON THIS PROJECT, EXCEPTING LIABILITY ARISING FROM THE SOLE NEGLIGENCE OF DESIGN PROFESSIONAL.



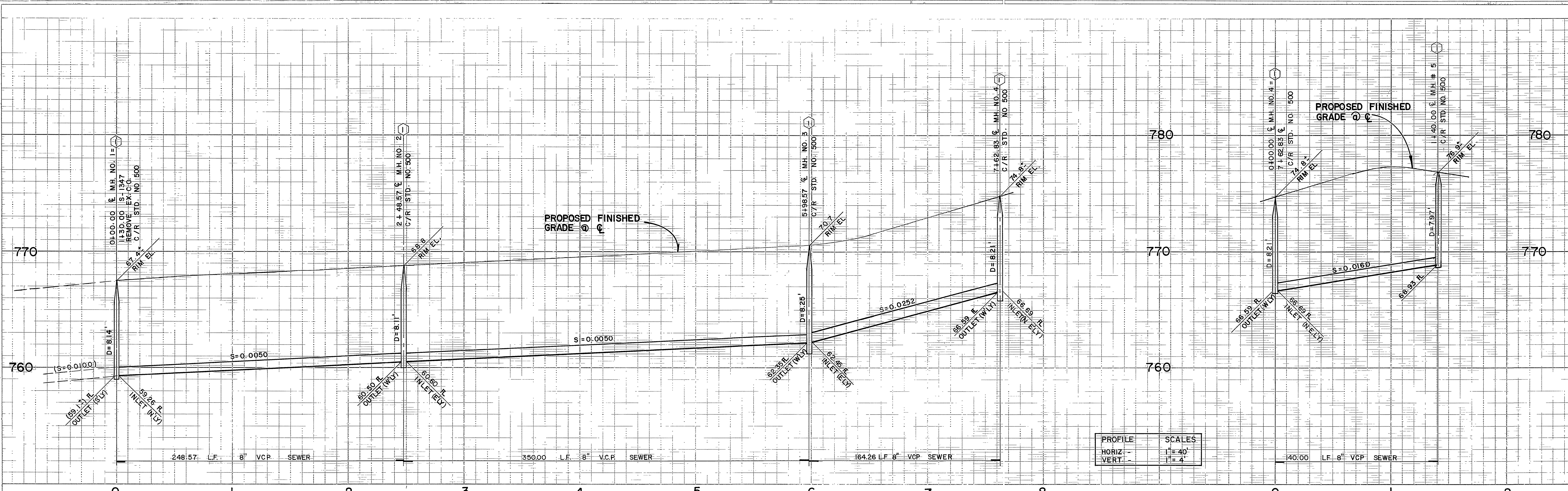
PREPARED UNDER THE DIRECTION OF:  
*[Signature]*  
REGISTERED CIVIL ENGINEER NO. 35165  
EXPIRATION DATE: 9-30-91 DATE: 6-21-88  
APPROVED BY:

**J.F. Davidson Associates, Inc.**  
ENGINEERING PLANNING SURVEYING ARCHITECTURE LANDSCAPE ARCHITECTURE  
3880 Lemon Street, Suite 300 P.O. Box 493 Riverside, CA 92502 (714) 686-0844 FAX 714-686-0954  
11200 S Mt Vernon Ave, Suite 'D' Colton, CA 92324 (714) 925-1082  
73-080 El Paseo, Suite 106 Palm Desert, CA 92260 (818) 346-9591 FAX 619-340-0829

BENCH MARK: ML-83-71 ELEV. +793.413 DATE: 1973  
146 FEET NORTHWEST ALONG LA SIERRA AVENUE FROM THE INTERSECTION OF LA SIERRA AND ARIZONA AVENUE; 34 FEET NORTHEAST OF LA SIERRA; 8 FEET SOUTHEAST OF PP #2980J; 7.5 FEET SOUTHWEST OF A 6 FOOT CHAIN LINK FENCE; 2 FEET NORTH OF A MARKER POST A BRASS DISK, STAMPED ML 83 1971, SET IN THE TOP OF A CONC. POST, 3 INCHES ABOVE GROUND.

DESIGNED BY: GOLDI	DRAWN BY: ANG	CHECKED BY: JAO
MARK	REVISIONS	APPR. DATE



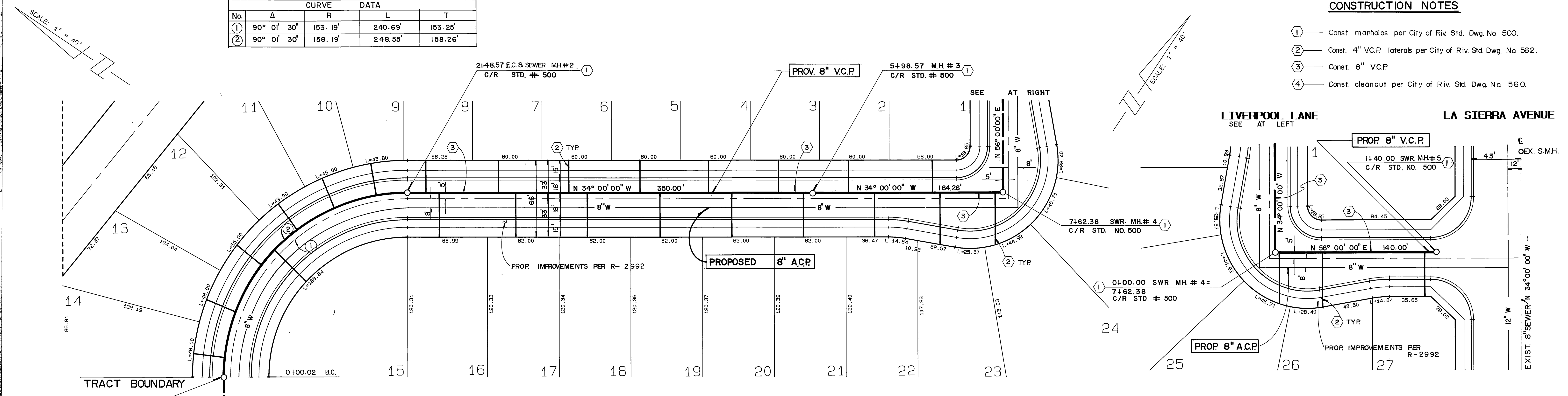


PROFILE	SCALES
HORIZ -	1" = 40'
VERT -	1" = 4'

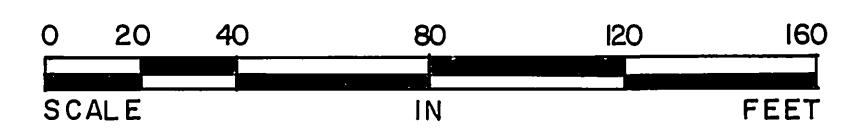
CURVE DATA				
No.	Δ	R	L	T
①	90° 01' 30"	153.19'	240.69'	153.25'
②	90° 01' 30"	158.19'	248.55'	158.26'

**CONSTRUCTION NOTES**

- ① Const. manholes per City of Riv. Std. Dwg. No. 500.
- ② Const. 4" V.C.P. laterals per City of Riv. Std. Dwg. No. 562.
- ③ Const. 8" V.C.P.
- ④ Const. cleanout per City of Riv. Std. Dwg. No. 560.



**LIVERPOOL LANE**



**Underground Service Alert**

Call: TOLL FREE  
**1-800-422-4133**

TWO WORKING DAYS BEFORE YOU DIG

**PRIVATE ENGINEERING NOTE**

CONSTRUCTION CONTRACTOR AGREES THAT IN ACCORDANCE WITH GENERALLY ACCEPTED CONSTRUCTION PRACTICES, CONSTRUCTION CONTRACTOR WILL BE REQUIRED TO ASSUME SOLE AND COMPLETE RESPONSIBILITY FOR JOB SITE CONDITIONS DURING THE COURSE OF CONSTRUCTION OF THE PROJECT, INCLUDING SAFETY OF ALL PERSONS AND PROPERTY. THAT THIS REQUIREMENT SHALL BE MADE TO APPLY CONTINUOUSLY AND NOT BE LIMITED TO NORMAL WORKING HOURS, AND CONSTRUCTION CONTRACTOR FURTHER AGREES TO DEFEND, INDEMNIFY AND HOLD DESIGN PROFESSIONAL HARMLESS FROM ANY AND ALL LIABILITY, REAL OR ALLEGED, IN CONNECTION WITH THE PERFORMANCE OF WORK ON THIS PROJECT EXCEPTING LIABILITY ARISING FROM THE SOLE NEGLIGENCE OF DESIGN PROFESSIONAL.

REGISTERED PROFESSIONAL ENGINEER  
MICHAEL C. MUEHLER  
No. 35165  
Exp. 9-30-91  
CIVIL  
STATE OF CALIFORNIA

PREPARED UNDER THE SEAL OF THE ENGINEER

*Michael C. Muehler*  
REGISTERED CIVIL ENGINEER NO. 35165  
EXPIRATION DATE: 9-30-91 DATE: 11-27-88

APPROVED BY:

**J.F. Davidson Associates, Inc.**  
ENGINEERING PLANNING SURVEYING ARCHITECTURE LANDSCAPE ARCHITECTURE

3880 Lemon Street, Suite 300 P.O. Box 493 Riverside, CA 92502 (714) 686-0344 FAX 714-686-9554

11200 S Mt Vernon Ave., Suite "D" Colton, CA 92324 (714) 825-1082

73080 El Paseo, Suite 106 Palm Desert, CA 92260 (818) 346-6091 FAX 818-346-0529

BENCH MARK: ML-83-71 ELEV. 783.413 DATE: 1973  
140 FEET NORTHWEST ALONG LA SIERRA AVENUE FROM THE INTERSECTION OF LA SIERRA AND ARIZONA AVENUE; 34 FEET NORTHEAST OF LA SIERRA; 8 FEET SOUTHEAST OF PP #8960J; 7.5 FEET SOUTHWEST OF A 6 FOOT CHAIN LINK FENCE; 5 FEET NORTH OF A MARKER POST A BRASS DISK, STAMPED M. 03 1974, SET IN THE TOP OF A CONG. POST, 3 INCHES ABOVE GROUND.

DESIGNED BY: GOLDI  
DRAWN BY: ANG  
CHECKED BY: J.A.O.

CITY OF RIVERSIDE WATER SYSTEM

BY: *R. Mc Grath* 8-18-88  
APPROVED DATE

CITY OF RIVERSIDE, CALIFORNIA DEPARTMENT OF PUBLIC WORKS

APPROVED BY: *Barry Bed*  
DIRECTOR OF PUBLIC WORKS

DATE: 11/1/89

SEWER IMPROVEMENT PLANS  
TRACT 23175  
LIVERPOOL LANE

PROJECT NO: S-1513  
SHEET 2 OF 2

FOR: REVAR - LARSON DEVELOPMENT  
FILE NO.: 8710336 (M)

INDEXED 1-31-89 44