

INCORPORATED 1883

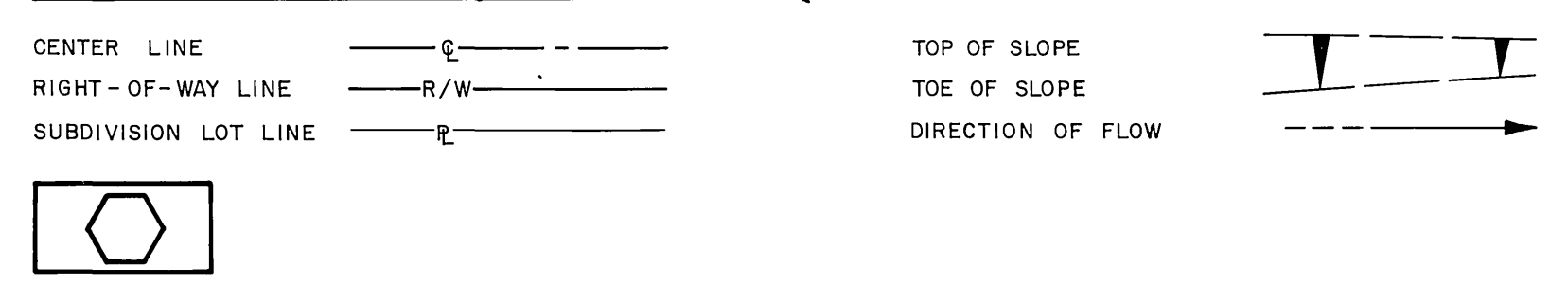
RIVERSIDE CITY OF RIVERSIDE CALIFORNIA

PUBLIC WORKS DEPARTMENT

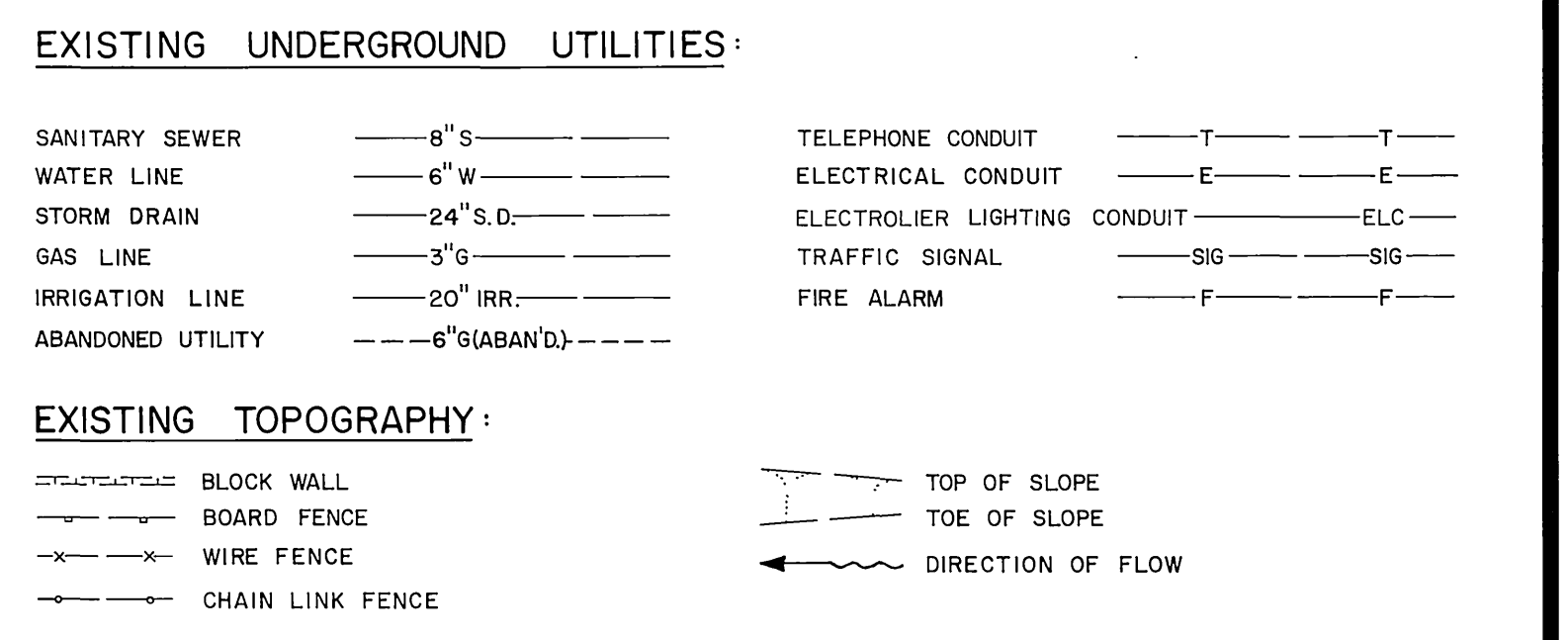
**PHOENIX AVENUE
TRUNK SEWER**

CENTRAL AVE. to ARLINGTON AVE.

CONSTRUCTION LEGEND



EXISTING UNDERGROUND & TOPOGRAPHY LEGEND

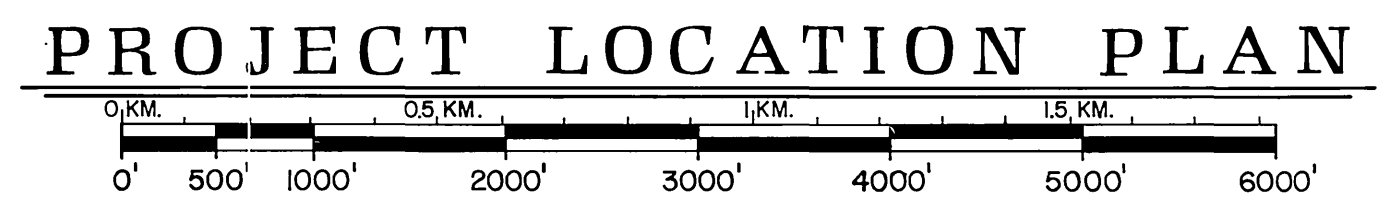
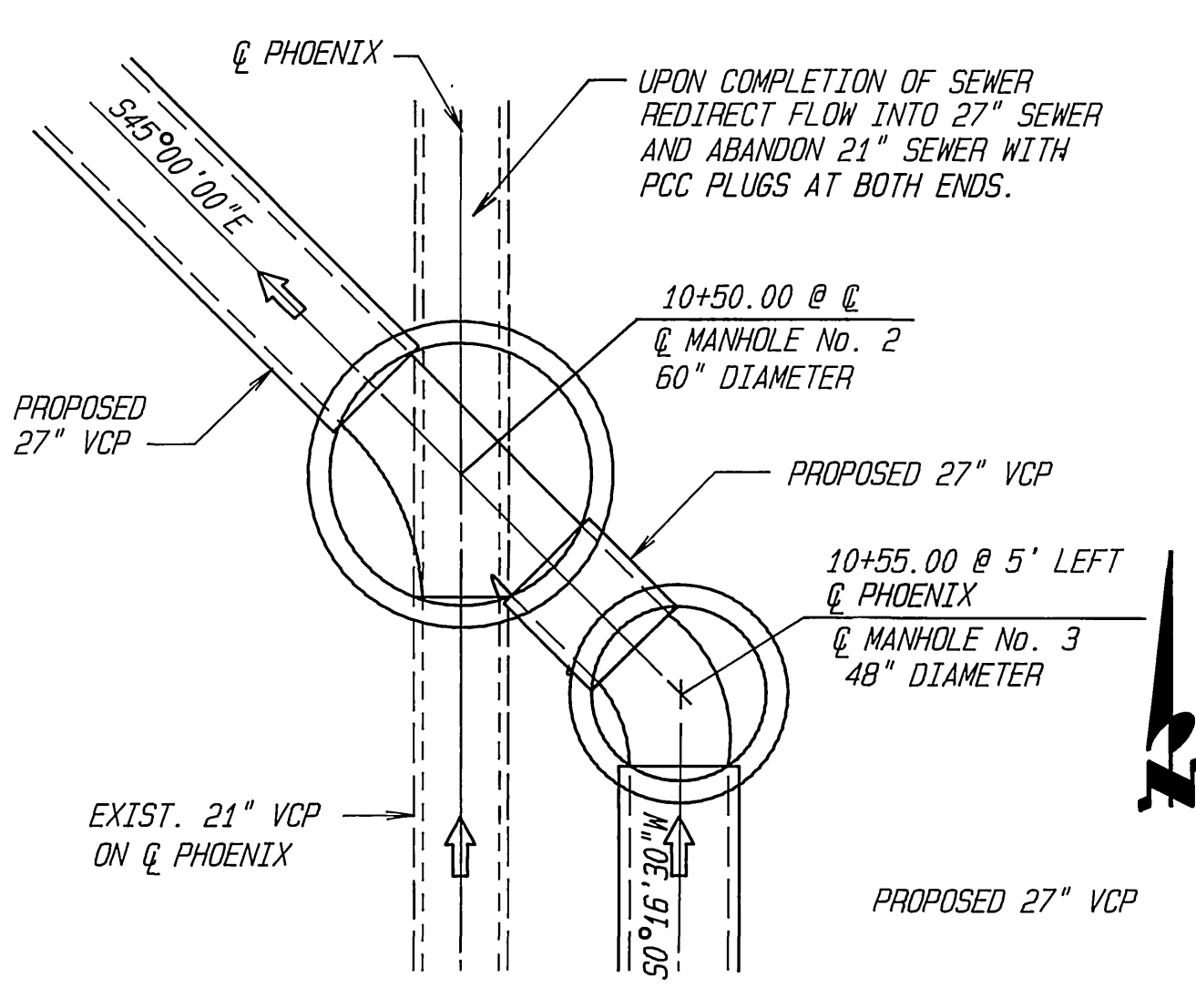
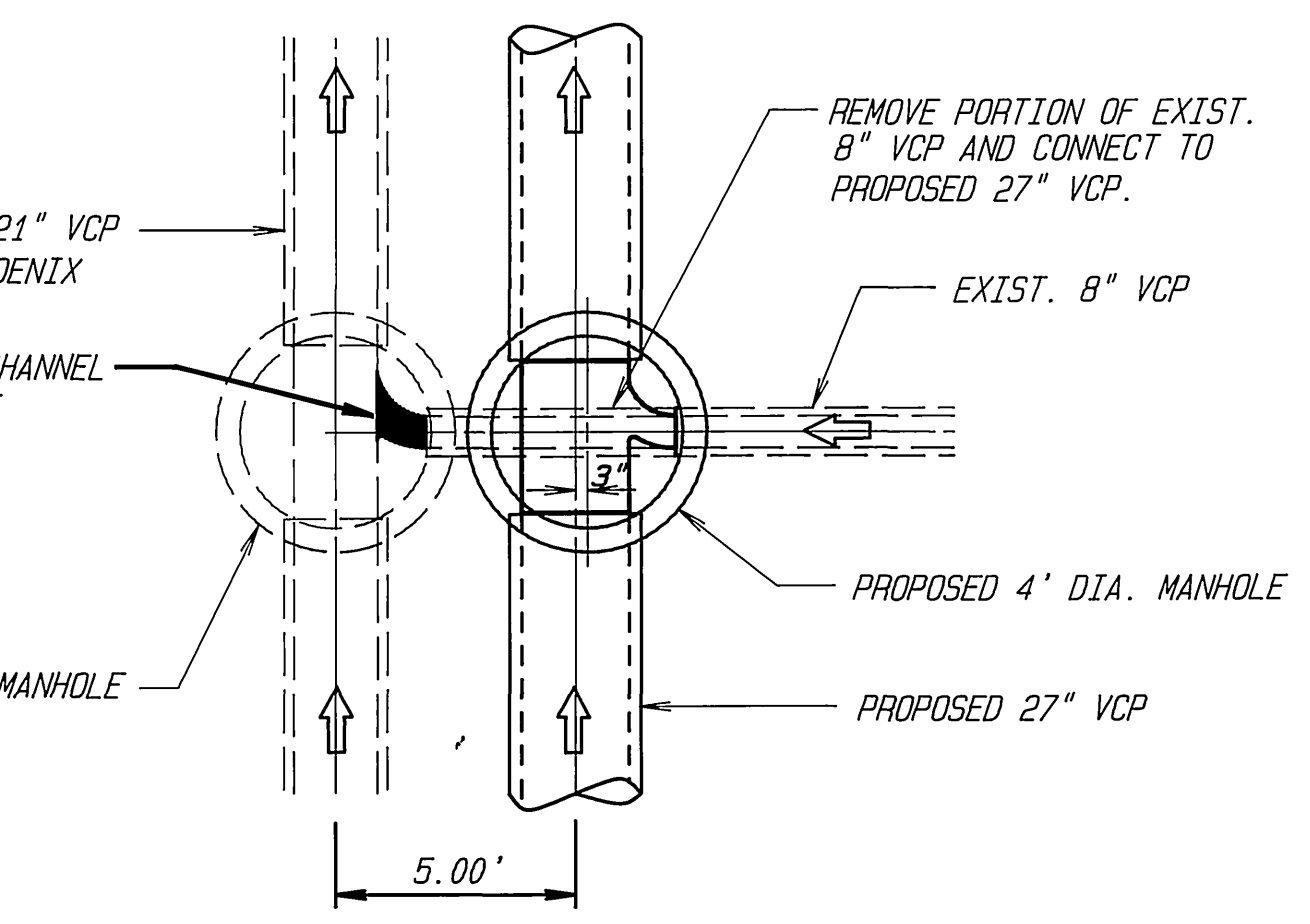
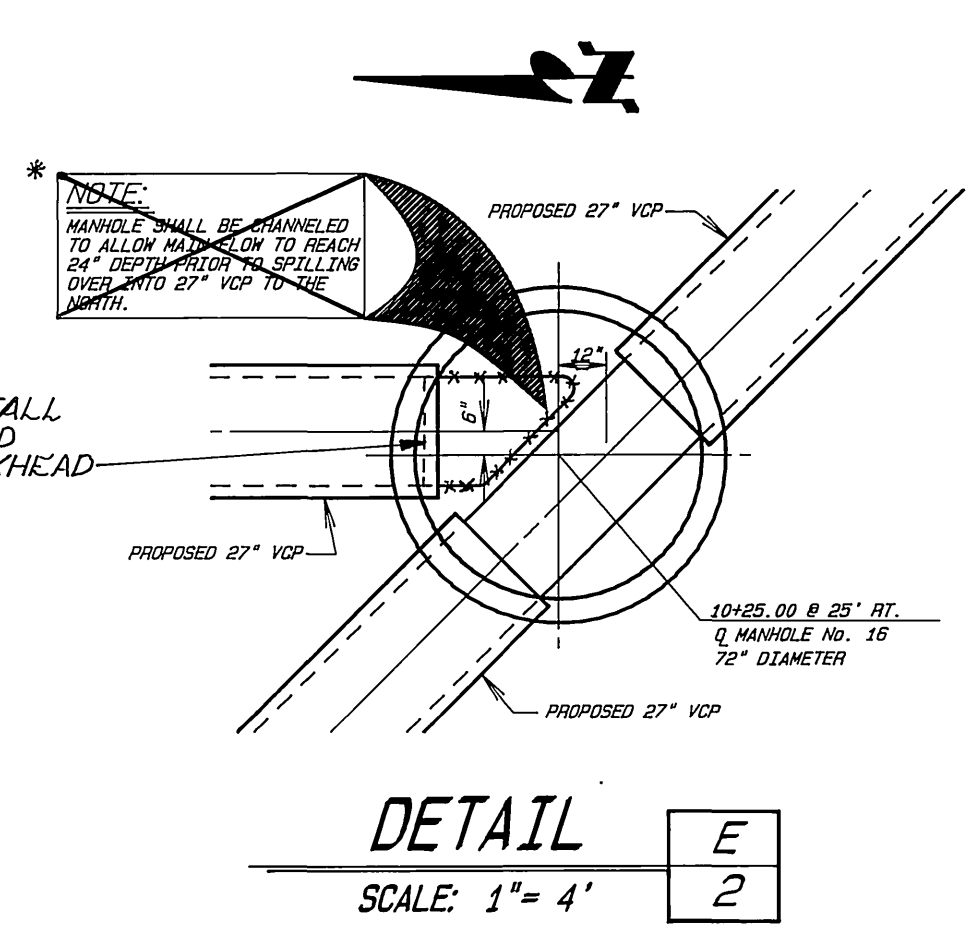
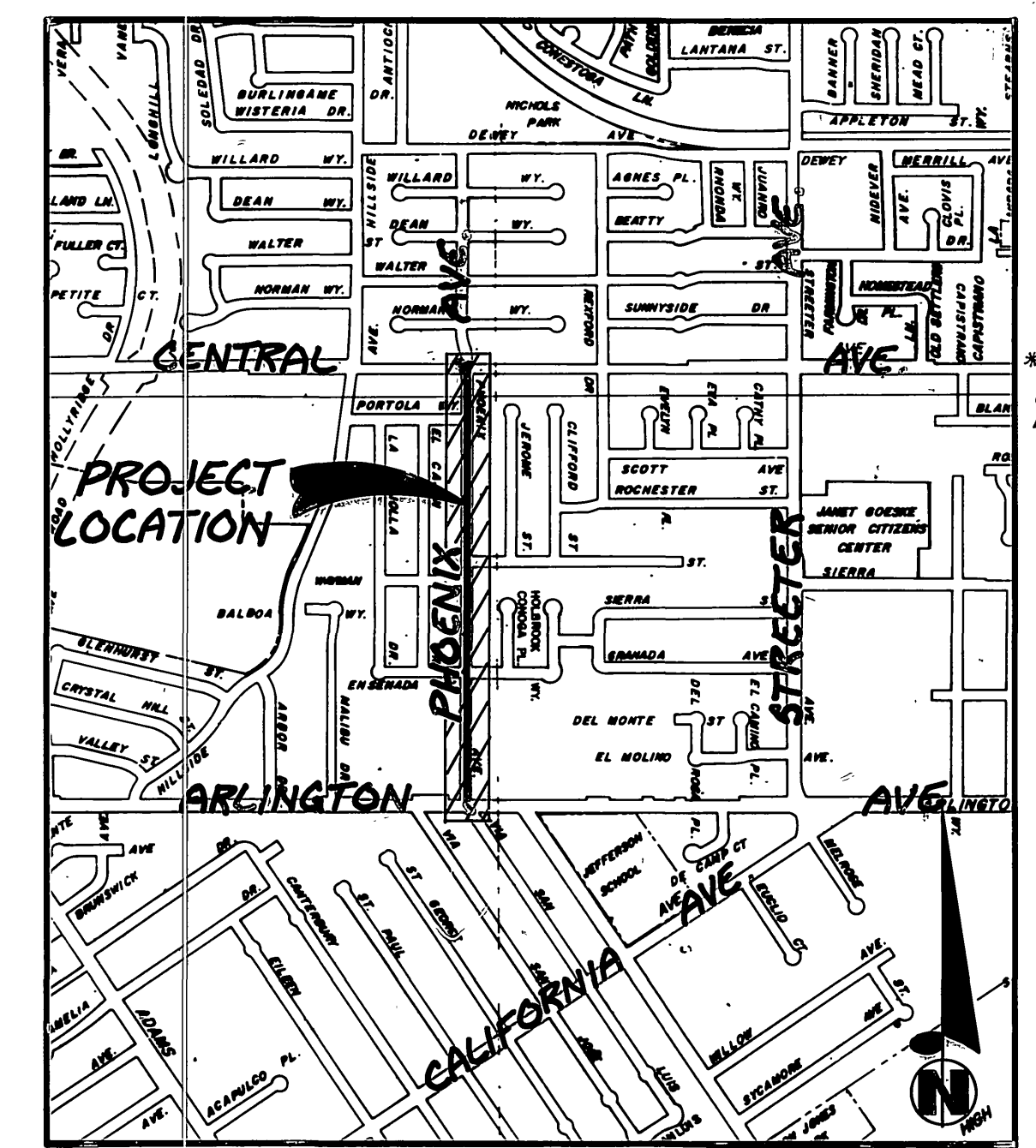
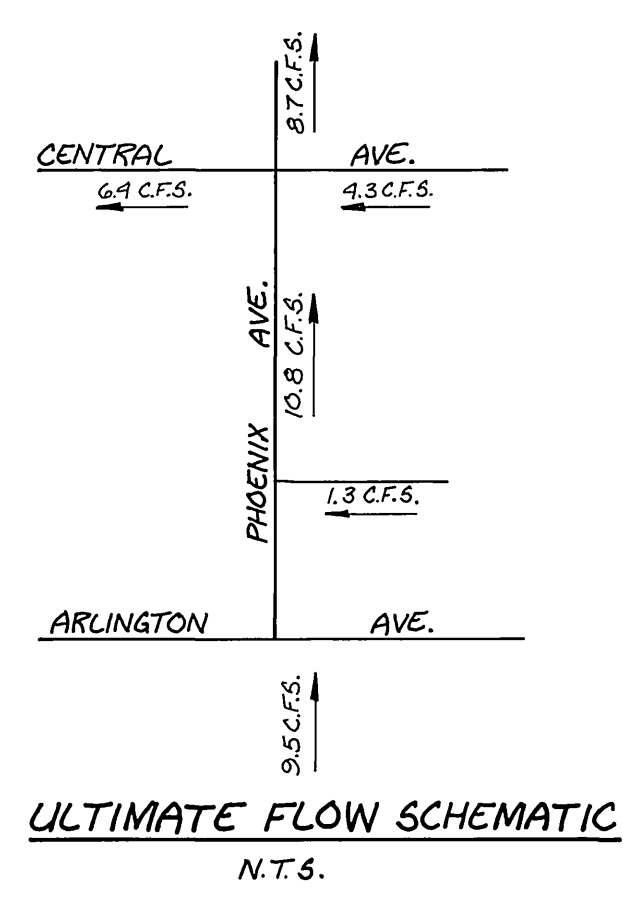


CONSTRUCTION NOTES

- 1. NUMBERS ABOVE 100 IN A HEXAGON ON THE PLAN REFER TO THE RESPECTIVE STANDARD DRAWING AND SHALL BE CONSTRUCTED ACCORDINGLY UNLESS MODIFICATIONS ARE NOTED ON THE PLAN OR COVER SHEET. ANY NUMBER SHOWN BELOW THE STANDARD DRAWING NUMBER INDICATES THE SPECIFIC ALTERNATE TO BE CONSTRUCTED.
- 2. ALL MANHOLES SHALL BE CONSTRUCTED PER STANDARD DRAWING No. 500 WITH THE EXCEPTION THE FRAME AND COVER OPENING SHALL BE 36" DIAMETER.
- 3. PAVEMENT REPLACEMENT SECTION IN PHOENIX AVENUE SHALL BE 6" FULL DEPTH A.C. OR 4" A.C. OVER 4" CRUSHED AGGREGATE BASE. PAVEMENT REPLACEMENT SECTION IN ARLINGTON AVENUE AND CENTRAL AVENUE SHALL BE 13" FULL DEPTH A.C. OR 8" A.C. OVER 14" CRUSHED AGGREGATE BASE. REPLACEMENT OF SURFACE IMPROVEMENTS SHALL BE IN ACCORDANCE WITH STD. DWG. No. 453.

GENERAL NOTES

- 1. EXISTING UTILITIES SHOWN ON THIS PLAN ARE PLOTTED FROM UTILITY RECORDS. THE CONTRACTOR IS REQUIRED TO TAKE DUE PRECAUTIONARY MEASURES TO LOCATE AND PROTECT ALL UTILITIES WHETHER OR NOT SHOWN ON THIS PLAN. IF THE COVER OF A UTILITY IS KNOWN, IT IS SHOWN IN THE PROFILE. UTILITIES IN THE PROFILE AS INDICATES THAT THE COVER IS UNKNOWN, BUT THE UTILITY IS NOT EXPECTED TO CONFLICT WITH THE PROPOSED IMPROVEMENTS.
- 2. ALL ELEVATIONS SHOWN ON THE PLANS SHALL BE STAKED IN THE FIELD.
- 3. PRIME CONTRACTORS BIDDING THIS WORK SHALL HAVE A CLASS "A", "C-34" OR "C-42" LICENSE.
- 4. EXISTING 48" RCP AT STA. 36+00 SHALL BE EXPOSED AND ELEVATION VERIFIED BY CITY SURVEYORS PRIOR TO THE ISSUANCE OF GRADE SHEETS.
- 5. LOCATION OF SEWER LATERALS AND WATER SERVICES SHOWN ON THE PLAN ARE APPROXIMATE. SEWER LATERALS AND WATER SERVICES SHALL BE LOCATED IN THE FIELD BY THE CONTRACTOR AT THE TIME OF CONSTRUCTION.
- 6. ULTIMATE DESIGN PEAK FLOW IN PHOENIX AVENUE = 10.8 C.F.S PER CITY OF RIVERSIDE COMPUTER MODEL OF SEWER SYSTEM DATED APRIL 1988. (SEE ULTIMATE FLOW SCHEMATIC AT RIGHT)

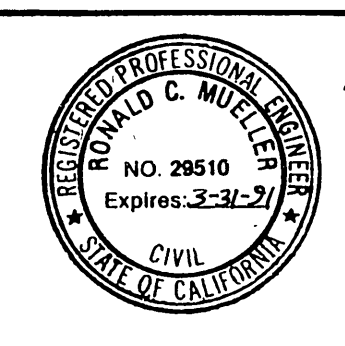


IMPORTANT NOTICE
 Section 4216/4217 of the Government Code requires a Dig Alert Identification Number be issued before a "Permit to Excavate" will be valid. For your Dig Alert I.D. Number Call Underground Service Alert TOLL FREE 1-800-422-4133 Two working days before you dig

JUNCTION MANHOLE - TYPICAL B
 SCALE: 1" = 4'
 STA. 21+77.90, 28+38.10, 29+81.10 & 31+58.30

JUNCTION MANHOLE - STA. 10+50 A
 SCALE: 1" = 4'

ENGINEER IN RESPONSIBLE CHARGE
 Ronald C. Mueller
 R.C.E. 29510 Expires 3-31-91
 DATE 2-1-88

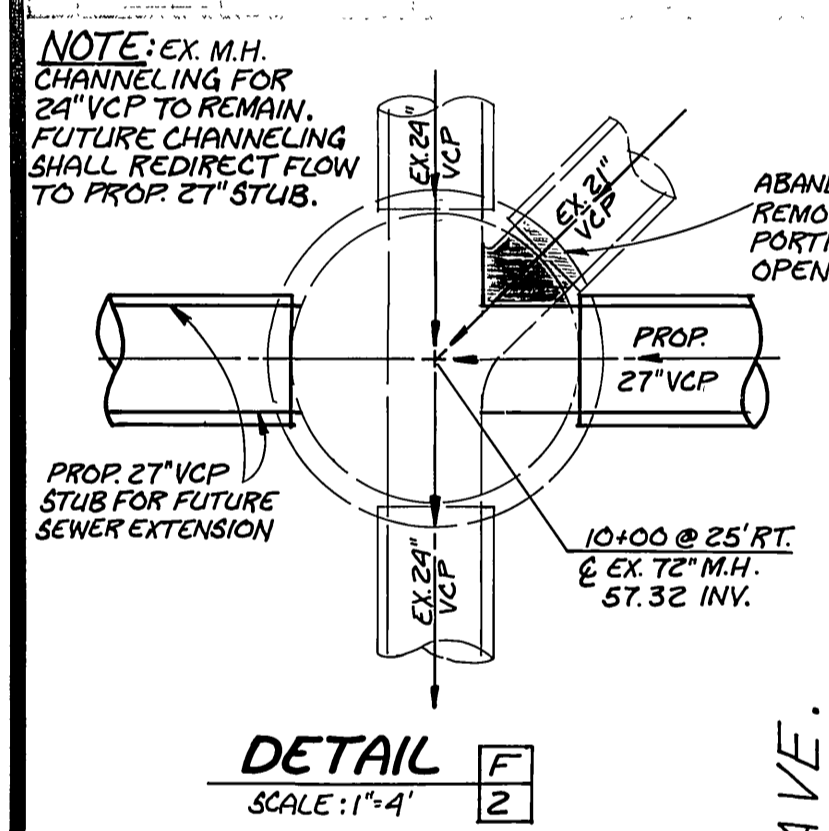
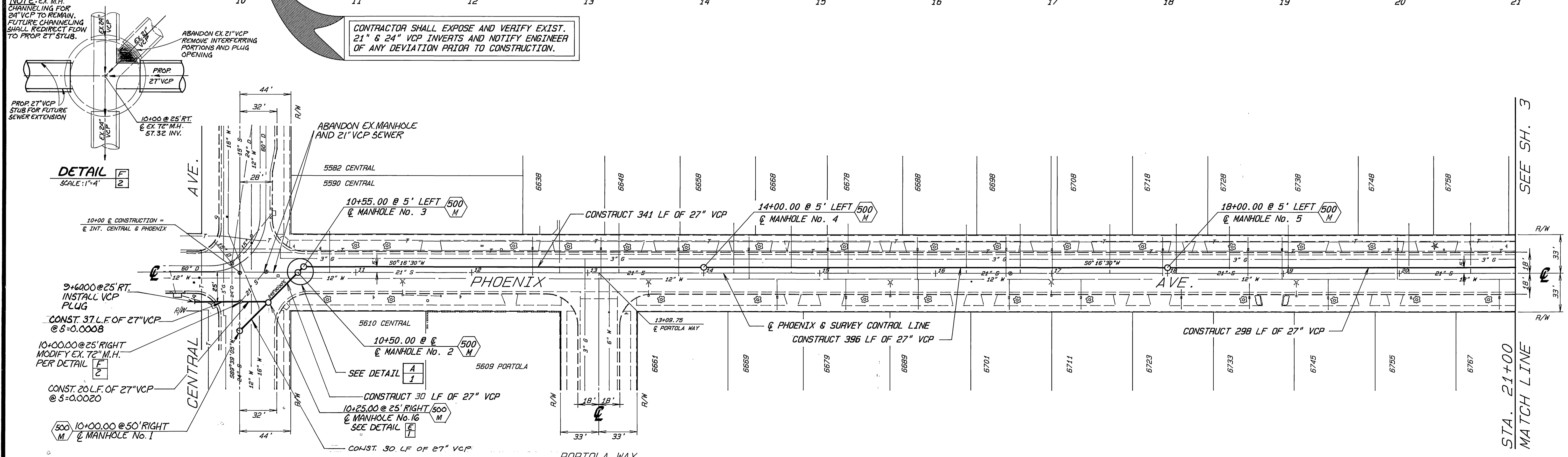
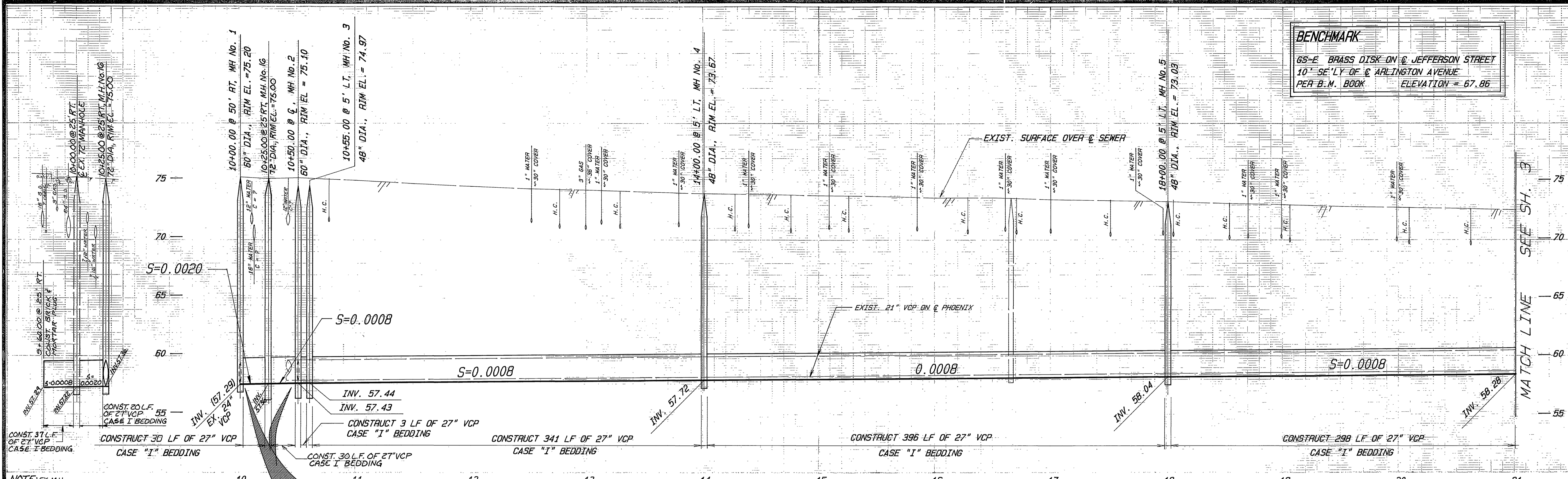


CITY OF RIVERSIDE PUBLIC WORKS DEPARTMENT
 APPROVED BY: *Barry Beel*
 PUBLIC WORKS DIRECTOR
 DATE 2/22/89

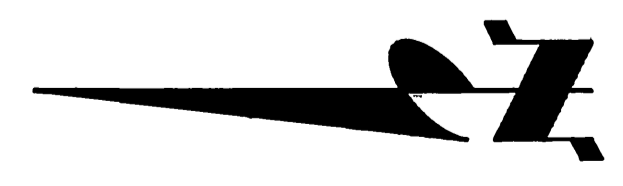
**PHOENIX AVENUE TRUNK SEWER
CENTRAL AVE. TO ARLINGTON AVE.**
 Title Sheet
 DESIGNED BY: *JW* DRAWN BY: *JVE* CHECKED BY: *PCM*

*AS BUILT 6/29/90
 ACCOUNT No. 32-577-503
 DRAWING NUMBER
S-1516
 SHEET 1 OF 4

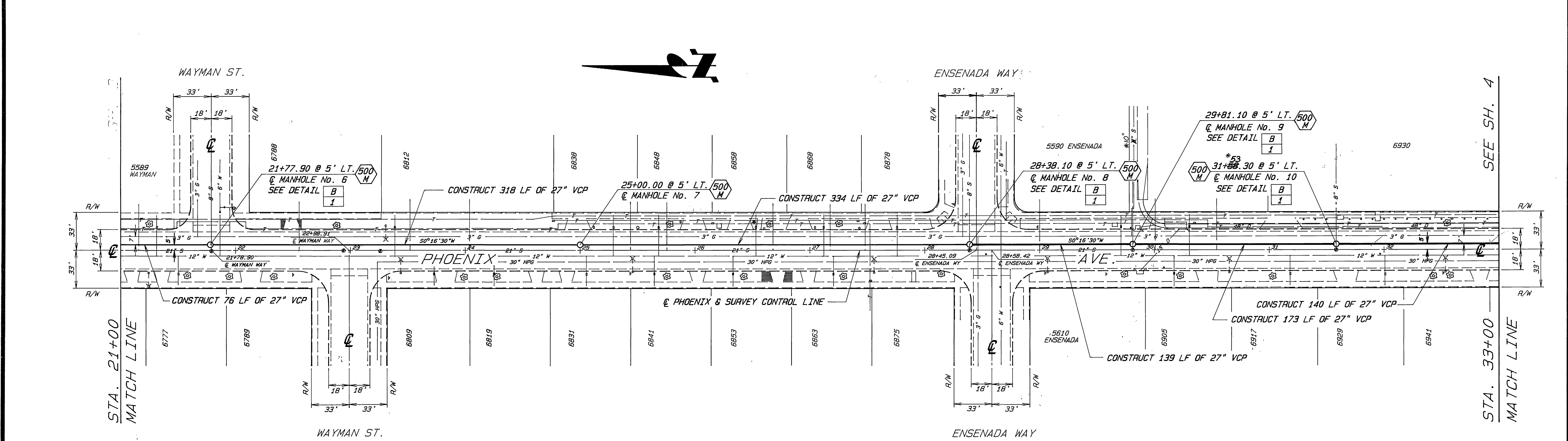
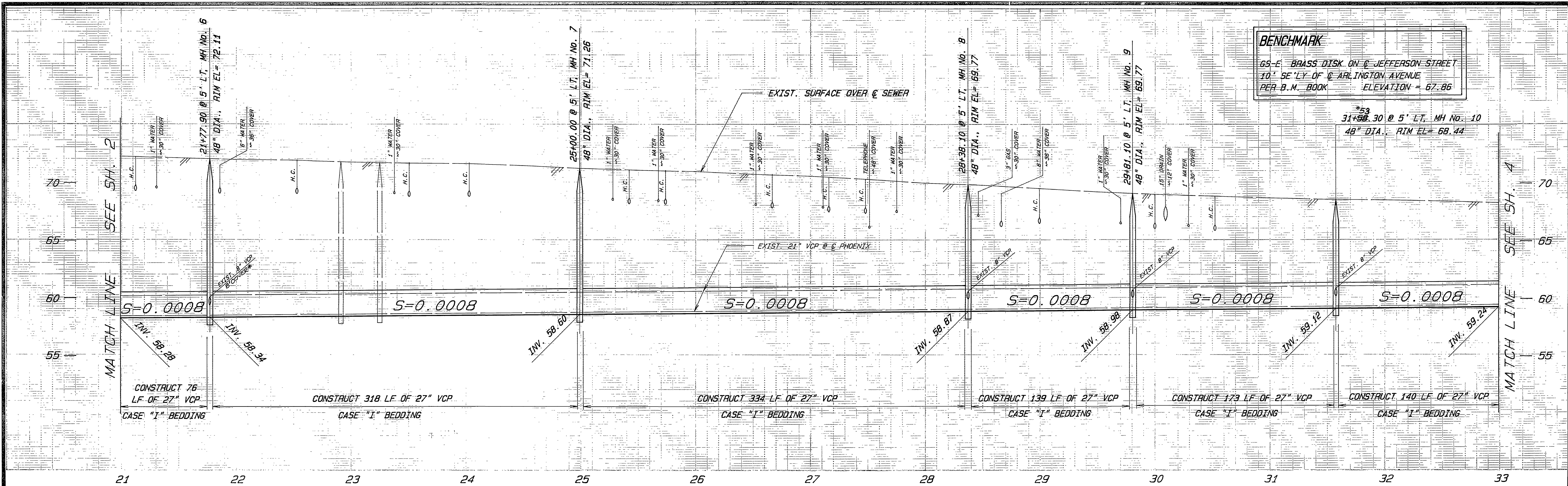
BENCHMARK
 65'-E BRASS DISK ON C. JEFFERSON STREET
 10' SE'LY OF C. ARLINGTON AVENUE
 PER B.M. BOOK ELEVATION = 67.86



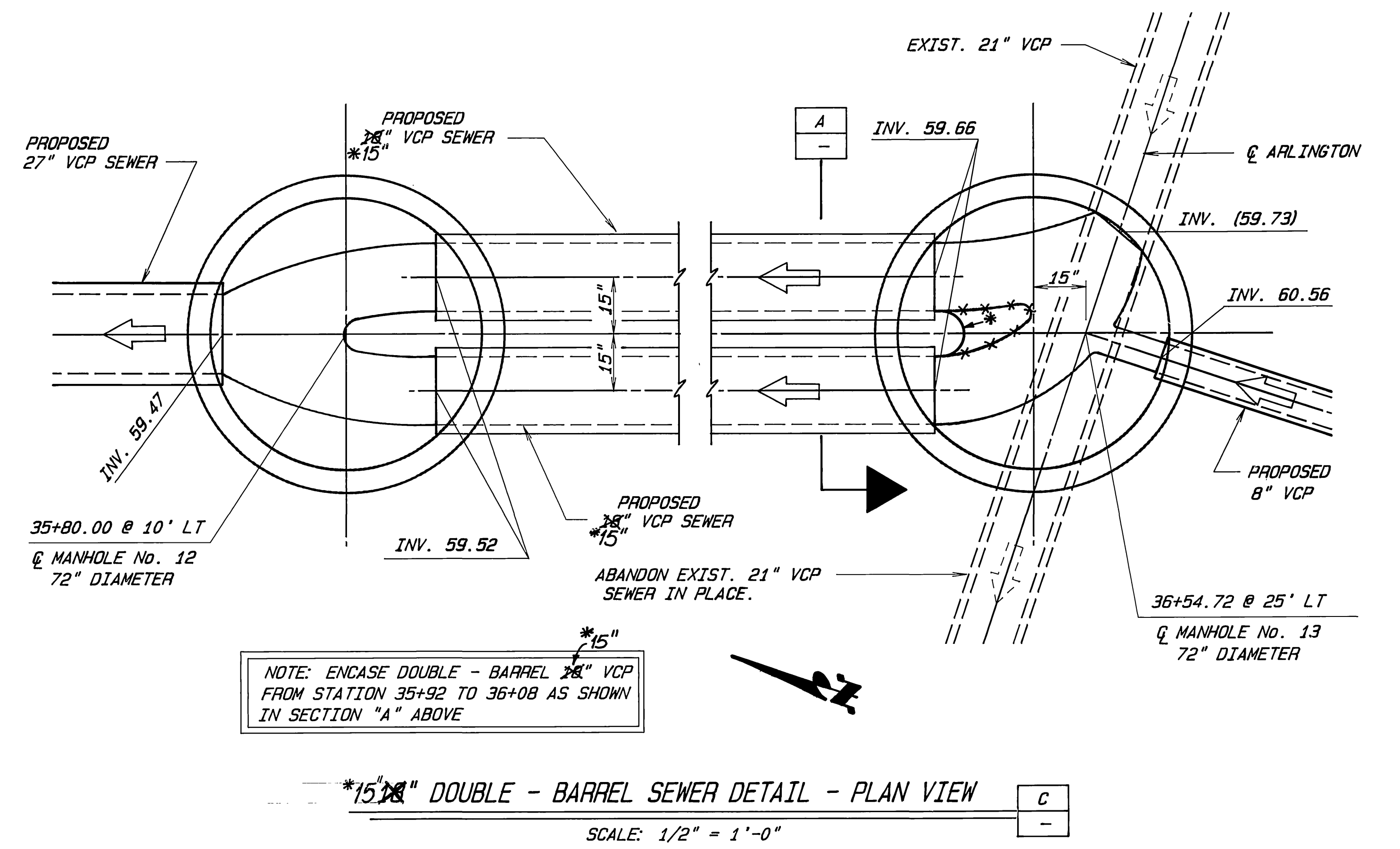
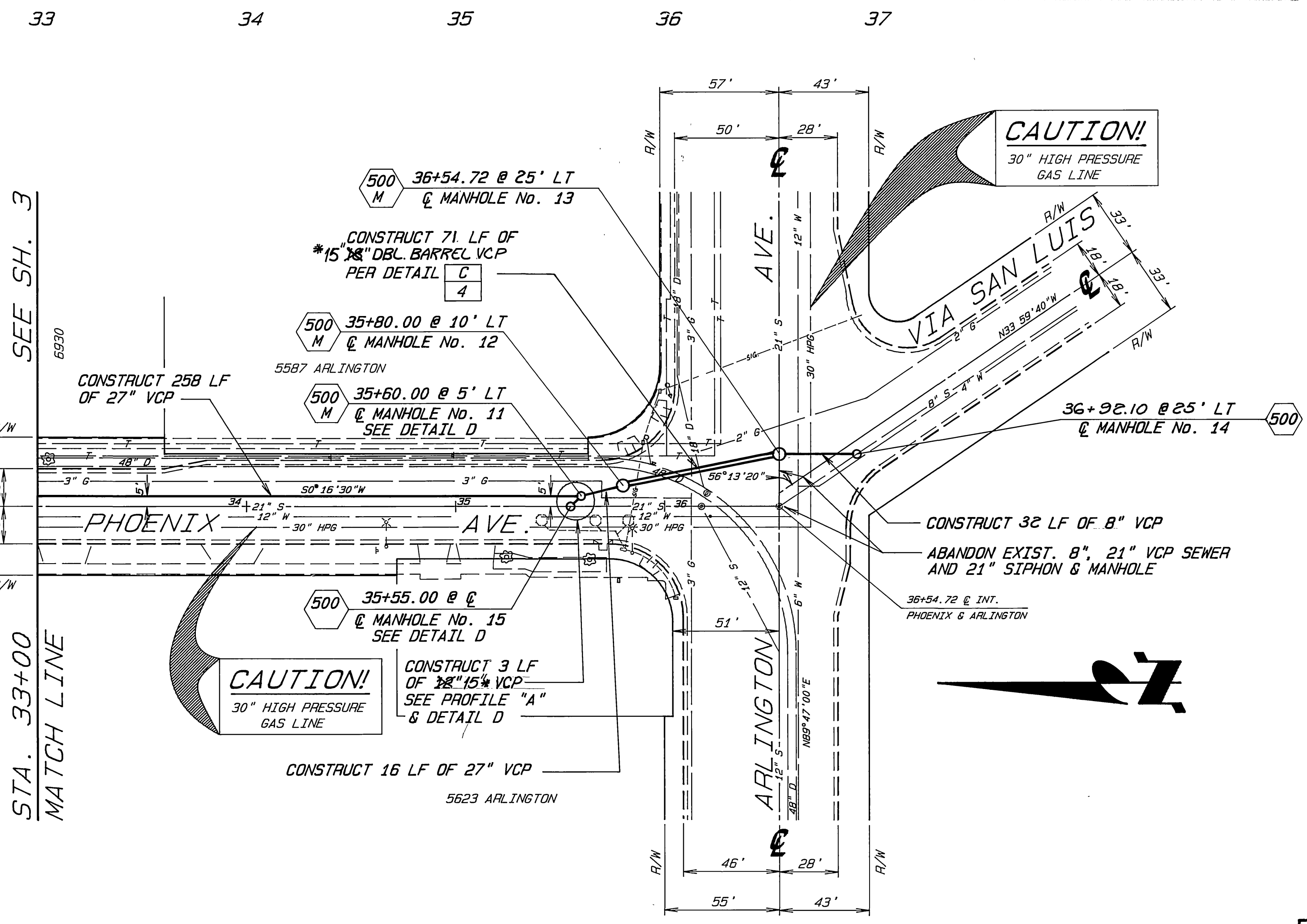
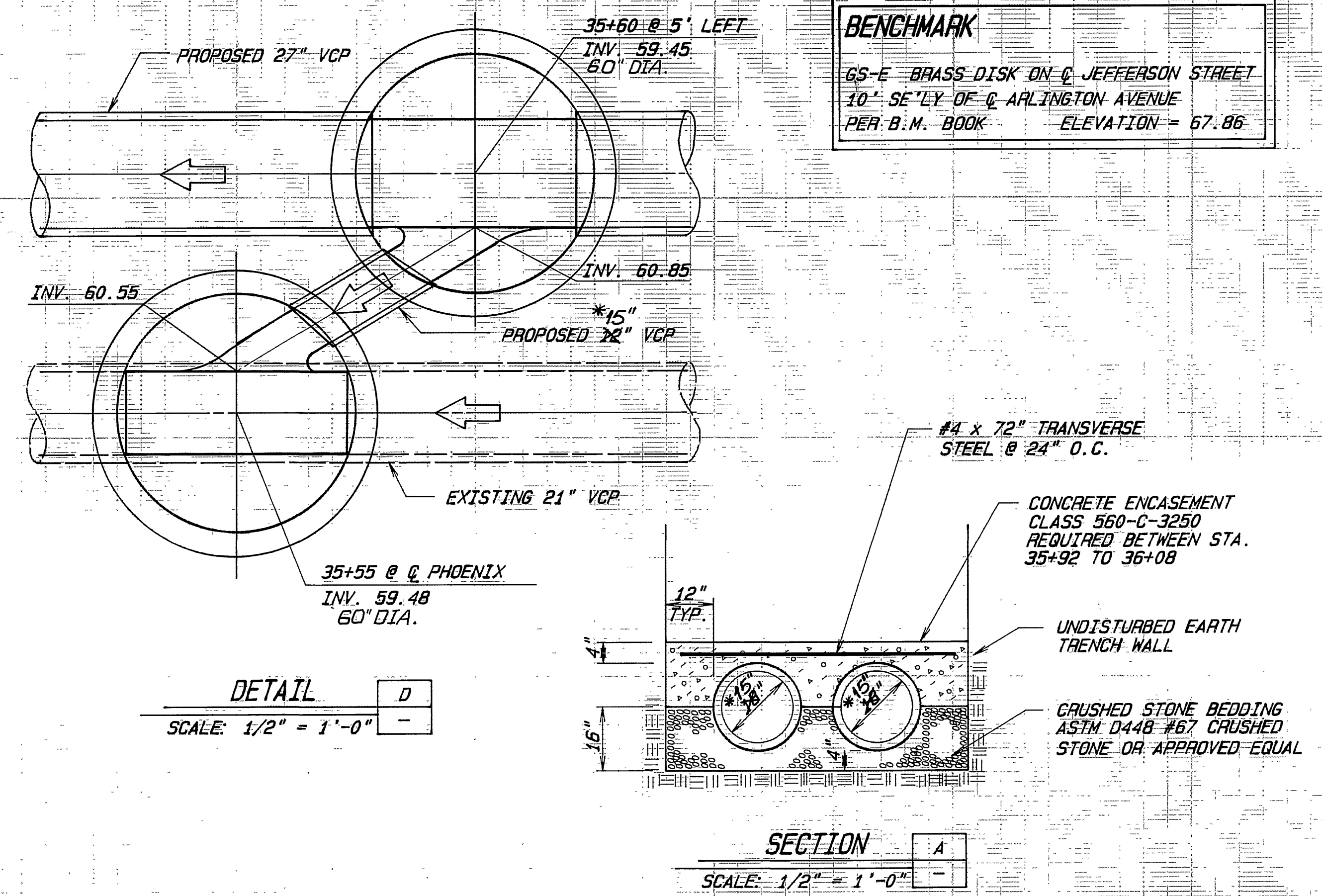
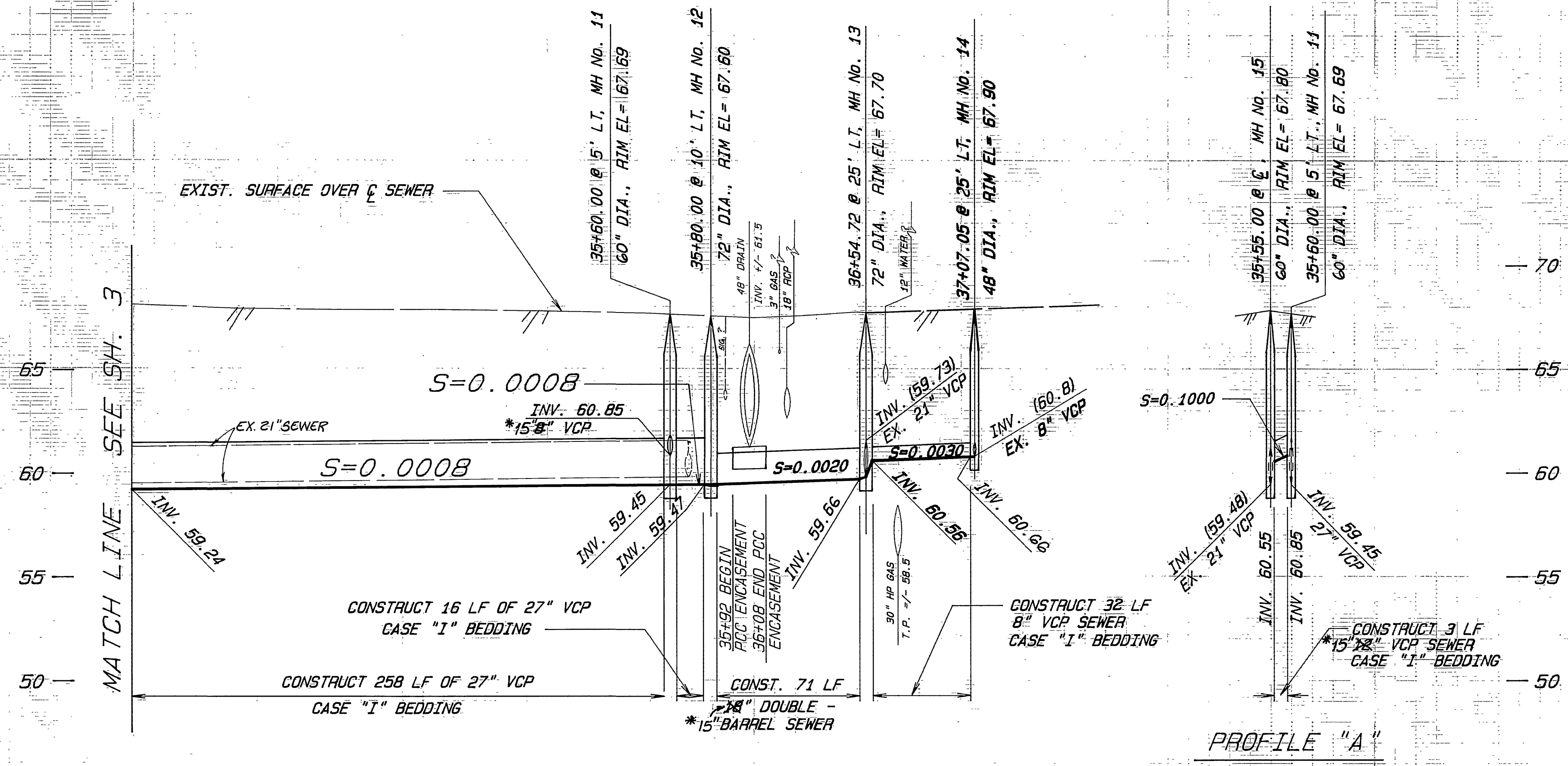
CONTRACTOR SHALL EXPOSE AND VERIFY EXIST. 21" & 24" VCP INVERTS AND NOTIFY ENGINEER OF ANY DEVIATION PRIOR TO CONSTRUCTION.



CITY OF RIVERSIDE PUBLIC WORKS DEPARTMENT				PHOENIX AVENUE TRUNK SEWER CENTRAL AVE. TO ARLINGTON AVE.		AS BUILT 6/20/89 3011 ACCOUNT NO. 30-577-503	
APPROVED BY	DATE	BY	APPROVED BY	DATE	BY	S-1516 Plan and Profile Sta. 10+00 to Sta. 21+00 SHEET 2 OF 4	
PRINCIPAL ENGINEER	2-17-89	BAW	DAVID BOUL	2-22-89	DAVID BOUL		
SUPERVISOR	1-18-89	BAW	PUBLIC WORKS DIRECTOR				
TRAFFIC DIVISION	2-21-89	BAW					
DESIGNED BY	REVISIONS	APPR. DATE	CHIEF P.W. ENGINEER	DATE		HORIZ. SCALE: 1"=40' VERT. SCALE: 1"=4'	
DRAWN BY			CHIEF P.W. INSPECTOR				



CITY OF RIVERSIDE PUBLIC WORKS DEPARTMENT		PHOENIX AVENUE TRUNK SEWER CENTRAL AVE. TO ARLINGTON AVE.		*AS BUILT 6/29/89 ACCOUNT NO. 32-377-503
APPROVED BY PRINCIPAL ENGINEER SUPERVISOR TRAFFIC DIVISION CHIEF P.W. ENGINEER CHIEF P.W. INSPECTOR	DATE 1/11/89 1-23-89 2-21-89 1/28/89	APPROVED BY PUBLIC WORKS DIRECTOR	DATE 2/22/89	S-1516 Plan and Profile Sta. 21+00 to Sta. 33+00 SHEET 3 OF 4
DESIGNED BY <i>SW</i> DRAWN BY <i>RVE</i> CHECKED BY <i>PCW</i>		HORIZ. SCALE: 1"=40' VERT. SCALE: 1"=4'		INDEXED 4-28-89 <i>GH</i>



CITY OF RIVERSIDE PUBLIC WORKS DEPARTMENT				PHOENIX AVENUE TRUNK SEWER CENTRAL AVE. TO ARLINGTON AVE.		ACCOUNT NO. 32-577-503	
APPROVED BY		DATE		APPROVED BY		DATE	
PRINCIPAL ENGINEER		2-17-89		Barry Paul		2/22/89	
SURVEYOR		1/13/89		PUBLIC WORKS DIRECTOR			
TRAFFIC DIVISION		2-21-89					
CHIEF P.W. ENGINEER		2-21-89					
CHIEF P.W. INSPECTOR		2/23/89					
DESIGNED BY		DRAWN BY		CHECKED BY			
STA. 33+00		STA. 36+92.10					
HORIZ. SCALE: 1" = 40'				VERT. SCALE: 1" = 4'			
S-1516						SHEET 4 OF 4	