

RIVERSIDE CITY OF RIVERSIDE CALIFORNIA



PUBLIC WORKS DEPARTMENT

CENTRAL / CANYON CREST TRUNK SEWER EXTENSION

CONSTRUCTION LEGEND

CENTER LINE	—C—	TOP OF SLOPE	—T—
RIGHT-OF-WAY LINE	—R/W—	TOE OF SLOPE	—E—
SUBDIVISION LOT LINE	—L—	DIRECTION OF FLOW	—>—

EXISTING UNDERGROUND & TOPOGRAPHY LEGEND

EXISTING UNDERGROUND UTILITIES:

SANITARY SEWER	—8" S—	TELEPHONE CONDUIT	—T—
WATER LINE	—6" W—	ELECTRICAL CONDUIT	—E—
STORM DRAIN	—24" D—	ELECTROLIER LIGHTING CONDUIT	—ELC—
GAS LINE	—3" G—	TRAFFIC SIGNAL	—SIG—
IRRIGATION LINE	—20" IRR—	FIRE ALARM	—F—
ABANDONED UTILITY	---6"(ABAND.)---		

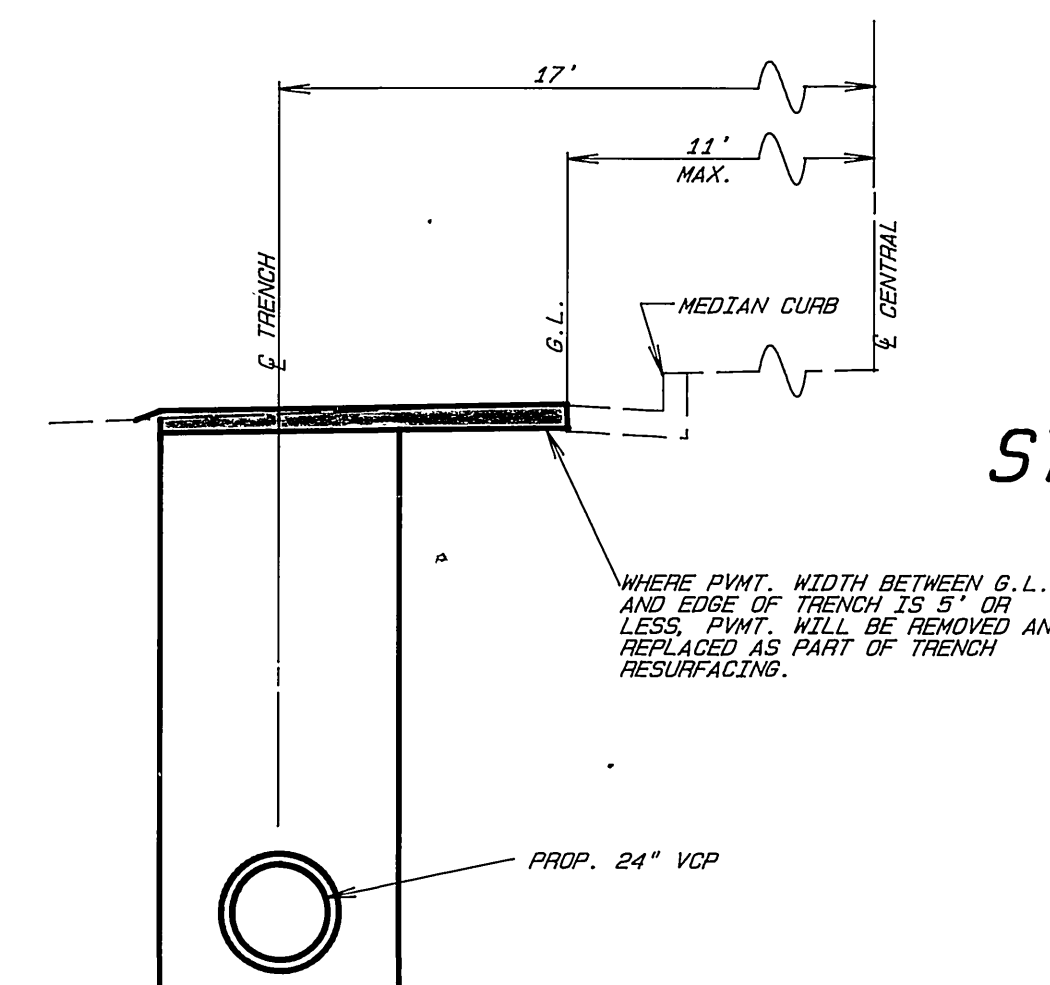
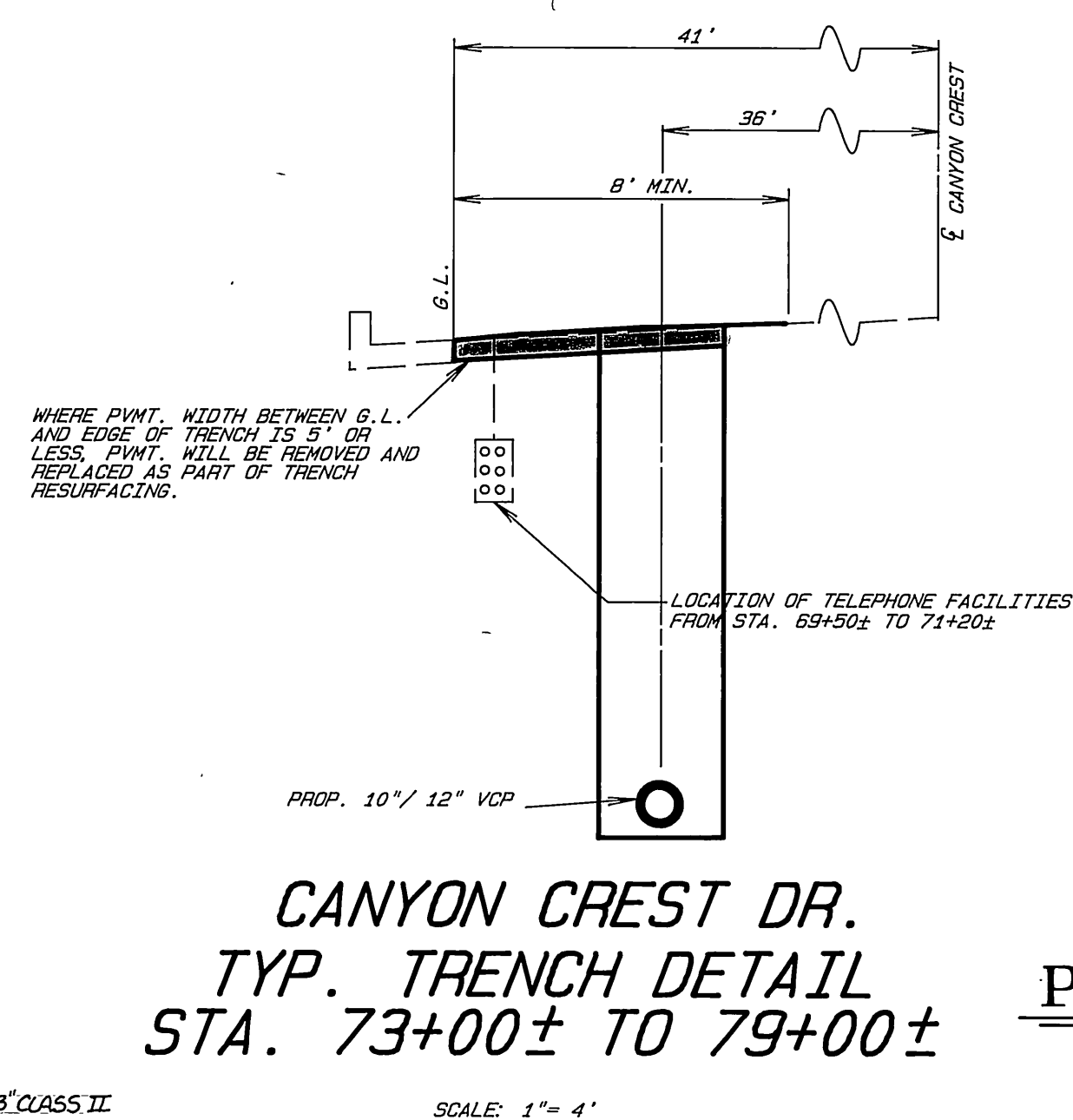
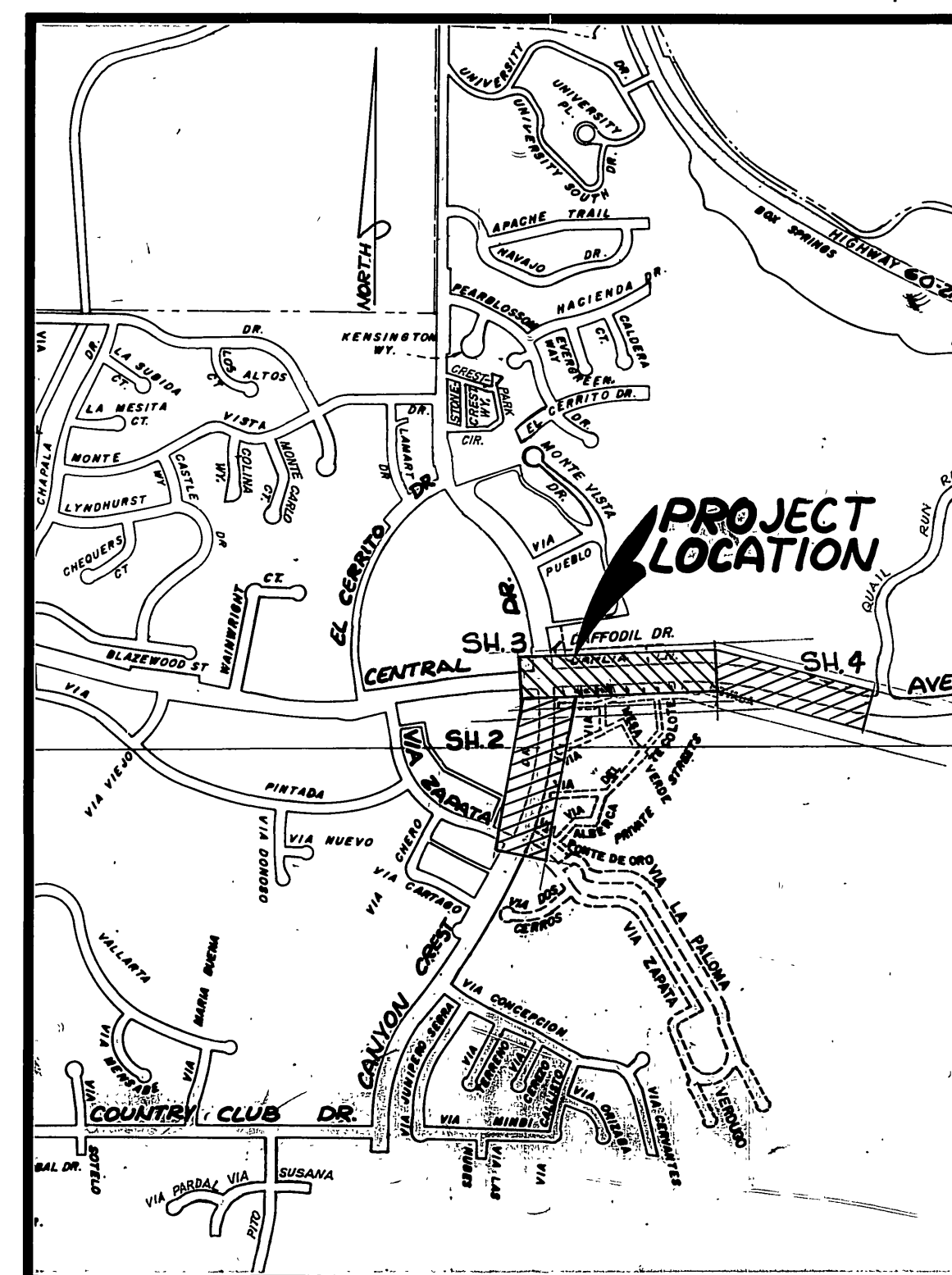
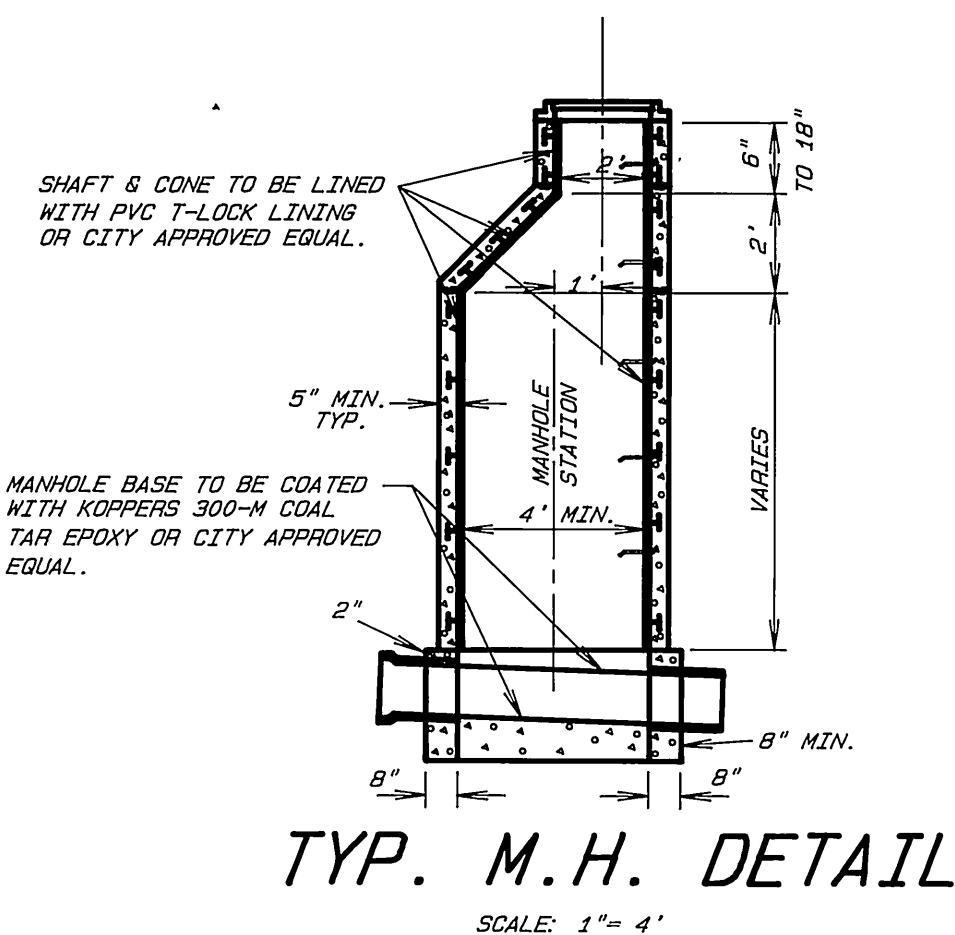
EXISTING TOPOGRAPHY:

BLOCK WALL	—B—	TOP OF SLOPE	—T—
BOARD FENCE	—BF—	TOE OF SLOPE	—E—
WIRE FENCE	—WF—	DIRECTION OF FLOW	—>—
CHAIN LINK FENCE	—CLF—		

SPECIFIC CONSTRUCTION NOTES

NUMBERS ABOVE 100 IN A HEXAGON ON THE PLAN REFER TO THE RESPECTIVE STANDARD DRAWING AND SHALL BE CONSTRUCTED ACCORDINGLY, UNLESS MODIFICATIONS ARE NOTED ON THE PLAN OR COVER SHEET BELOW. ANY NUMBER SHOWN BELOW THE STANDARD DRAWING NUMBER INDICATES THE SPECIFIC ALTERNATE TO BE CONSTRUCTED.

500 CONSTRUCT MANHOLE PER CITY STD. DWG. AND TYP. M.H. DETAIL. MANHOLE DIAMETER TO BE CONSTRUCTED AS SHOWN ON PLANS. SHAFT AND CONE TO BE LINED WITH PVC T-LOCK OR CITY APPROVED EQUAL PROTECTIVE PLASTIC LINING. MANHOLE BASE TO BE COATED WITH "KOPPERS 300-M" COAL TAR EPOXY OR CITY APPROVED EQUAL.



① SANITARY SEWER MH	① POLE & GUY ANCHOR	① PEDESTRIAN PUSH BUTTON
② SANITARY SEWER CLEANOUT	② ELECTRIC POLE	② RAILROAD TRACKS
③ STORM DRAIN MH	③ TELEPHONE POLE	③ RAILROAD SIGN
④ IRRIGATION WEIR	④ JOINT USE POLE	④ RAILROAD SIGNAL
⑤ WATER M.H.	⑤ PULL BOX	⑤ STREET LIGHT & TRAFFIC SIGNAL ON MAST ARM
⑥ GAS M.H.	⑥ TRAFFIC SIGN	⑥ STREET LIGHT (UPRIGHT)
⑦ ELECTRIC MH	⑦ PARKING METER	⑦ STREET LIGHT
⑧ TELEPHONE MH OR VAULT	⑧ FIRE ALARM BOX	⑧ TRAFFIC SIGNAL
⑨ WATER METER	⑨ STREET NAME SIGN	⑨ TRAFFIC SIGNAL ON MAST ARM
⑩ FIRE HYDRANT	⑩ GAS METER	⑩ TRAFFIC SIGNAL CONTROLLER
⑪ SPRINKLER HEAD	⑪ MAIL BOX	⑪ TRAFFIC SIGNAL PRESSURE DETECTOR
⑫ VALVE	⑫ FAUCET	⑫ TRAFFIC SIGNAL LOOP DETECTOR
⑬ AIR VALVE	⑬ TELEPHONE RISER	
⑭ AIR VENT	⑭ WHEEL STOP	
	⑭ A.C. BERM	
	⑭ STEEL POST	
	⑭ WOOD POST	
		⑭ CITRUS TREE
		⑭ DECIDUOUS TREE
		⑭ PALM TREE
		⑭ SHRUBBERY
		⑭ TREE STUMP
		⑭ EVERGREEN TREE

GENERAL CONSTRUCTION NOTES

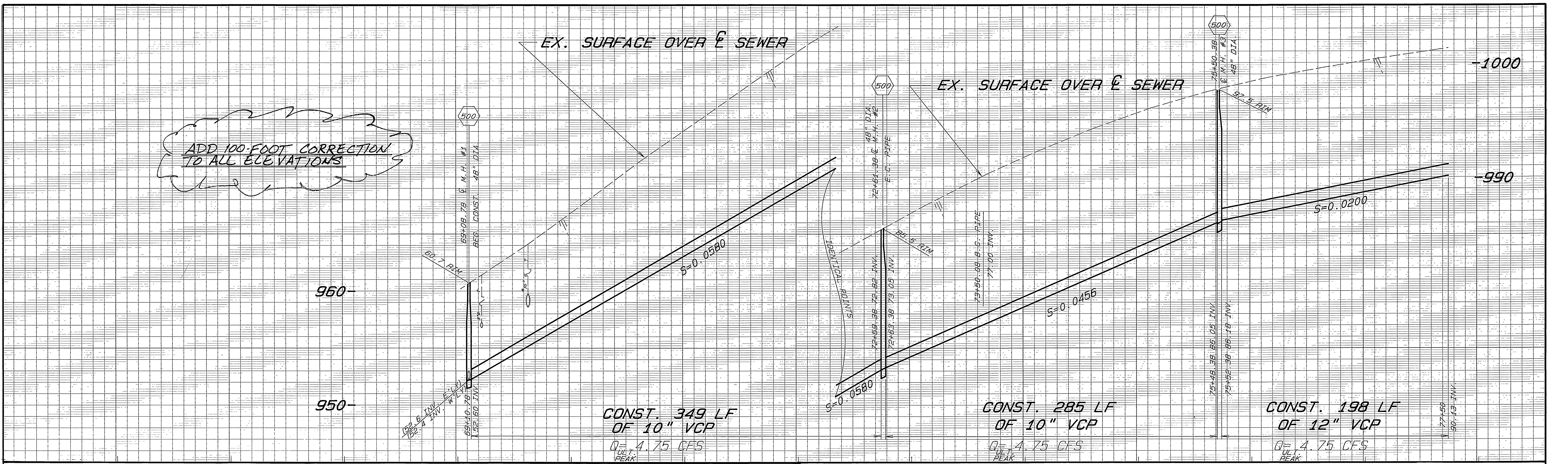
- EXISTING UTILITIES SHOWN ON THIS PLAN ARE PLOTTED FROM UTILITY RECORDS. THE CONTRACTOR IS REQUIRED TO TAKE DUE PRECAUTIONARY MEASURES TO LOCATE AND PROTECT ALL UTILITIES WHETHER OR NOT SHOWN ON THIS PLAN. IF THE COVER OF A UTILITY IS KNOWN, IT IS SHOWN IN THE PROFILE. UTILITIES IN THE PROFILE AS ---O--- INDICATES THAT THE COVER IS UNKNOWN, BUT THE UTILITY IS NOT EXPECTED TO CONFLICT WITH THE PROPOSED IMPROVEMENTS.
- ALL ELEVATIONS SHOWN ON THE PLANS SHALL BE STAKED IN THE FIELD.
- PRIME CONTRACTORS BIDDING THIS WORK SHALL HAVE A CLASS A, C-34 OR C-42 LICENSE.
- EXISTING 10" SEWER AT STA. 69+09.28 SHALL BE EXPOSED AND STATION AND ELEVATION VERIFIED BY CITY SURVEYORS PRIOR TO THE ISSUANCE OF GRADE SHEETS.
- PAVEMENT SECTION USED FOR TRENCH RESURFACING IS: CANYON CREST DR. 4" AC / 1/2" CLASS II; CENTRAL AVE. 4.5" AC / 1/2" CLASS II.

IMPORTANT NOTICE

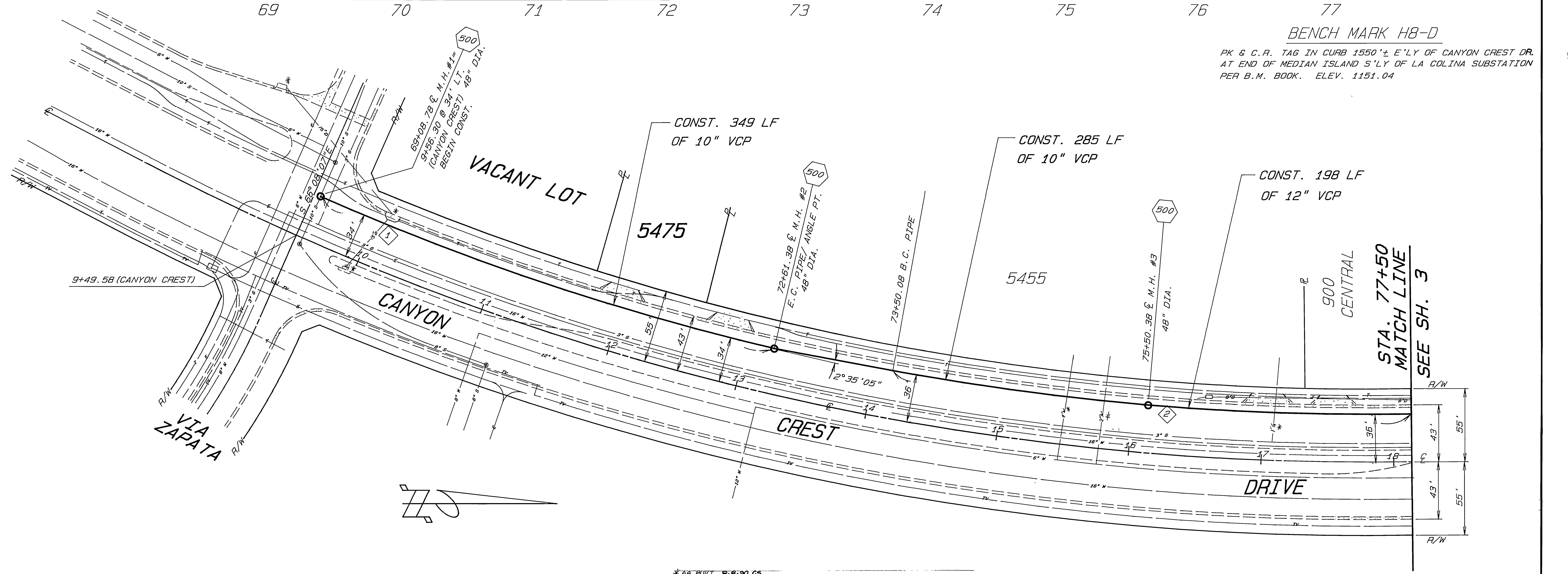
Section 4216/4217 of the Government Code requires a Dig Alert Identification Number to be issued before a "Permit to Excavate" will be valid. For your Dig Alert I.D. Number call Underground Service Alert! TOLL FREE 1-800-422-4133 Two working days before you dig.

<p>ENGINEER IN RESPONSIBLE CHARGE Ronald C. Mueller RONALD C. MUELLER R.C.E. 29510 expires 3/31/01</p>	<p>CITY OF RIVERSIDE PUBLIC WORKS DEPARTMENT</p> <p>APPROVED BY: <i>Barry Bell</i> DATE: 3/29/00 DEPUTY P.W. DIRECTOR</p> <p>TRAFFIC DIVISION: 3/29/00 CHIEF P.W. INSPECTOR: <i>John Smith</i> SURVEYOR</p>	<p>INDEX 8-9-90</p> <p>CENTRAL / CANYON CREST TRUNK SEWER EXTENSION</p> <p>DESIGNED BY: RVZ DRAWN BY: RVZ CS CHECKED BY: PCM</p>	<p>ACCOUNT No. 32-877-515 DRAWING NUMBER S-1551 SHEET 1 OF 4</p>
--	--	---	---

ADD 100-FOOT CORRECTION TO ALL ELEVATIONS



BENCH MARK H8-D
 PK & C.R. TAG IN CURB 1550'± E'LY OF CANYON CREST DR.
 AT END OF MEDIAN ISLAND S'LY OF LA COLINA SUBSTATION
 PER B.M. BOOK. ELEV. 1151.04



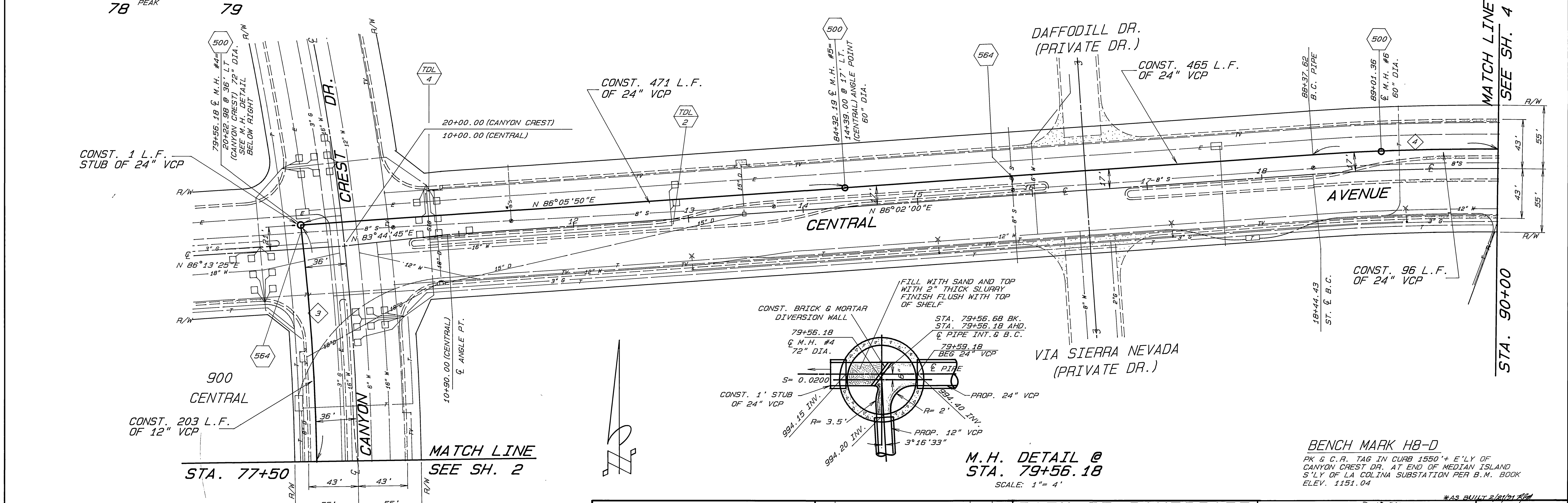
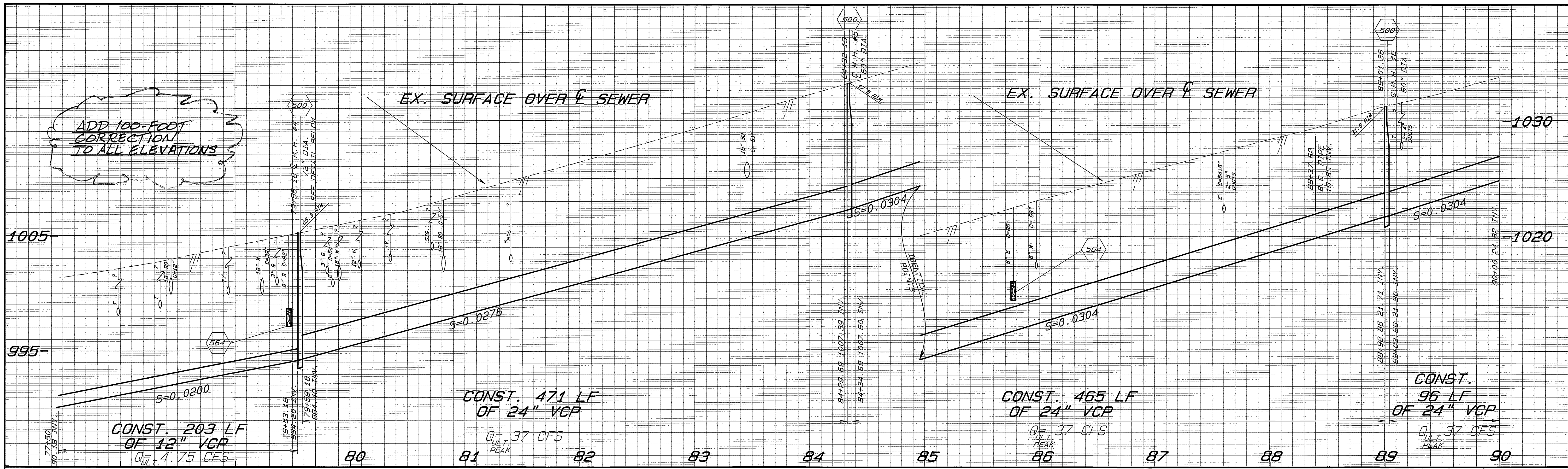
INDEX	R	Δ	T	L
1	1966'	10° 16' 34"	176.78'	352.60'
2	1964'	11° 40' 01"	200.65'	399.92'

DESIGNED BY RVZ
 DRAINED BY RVZ
 CHECKED BY RCM
 DATE 3/29/90

CITY OF RIVERSIDE
 PUBLIC WORKS DEPARTMENT
 APPROVED BY DATE 3/29/90
 PRINCIPAL ENGINEER
 CHIEF P.W. ENGINEER
 CHIEF P.W. INSPECTOR
 SURVEYOR
 TRAFFIC DIVISION
 PARK DEPARTMENT

INDEX 8-9-90
 CENTRAL / CANYON CREST
 TRUNK SEWER EXTENSION
 APPROVED BY DATE 3/29/90
 PUBLIC WORKS DIRECTOR
 DATE 3/29/90

ACCOUNT NO. 32-977-515
 S-1551
 SHEET 2 OF 4
 HORIZ. SCALE: 1" = 40'
 VERT. SCALE: 1" = 4'



ADD 100-FOOT CORRECTION TO ALL ELEVATIONS

CONST. 471 LF OF 24" VCP

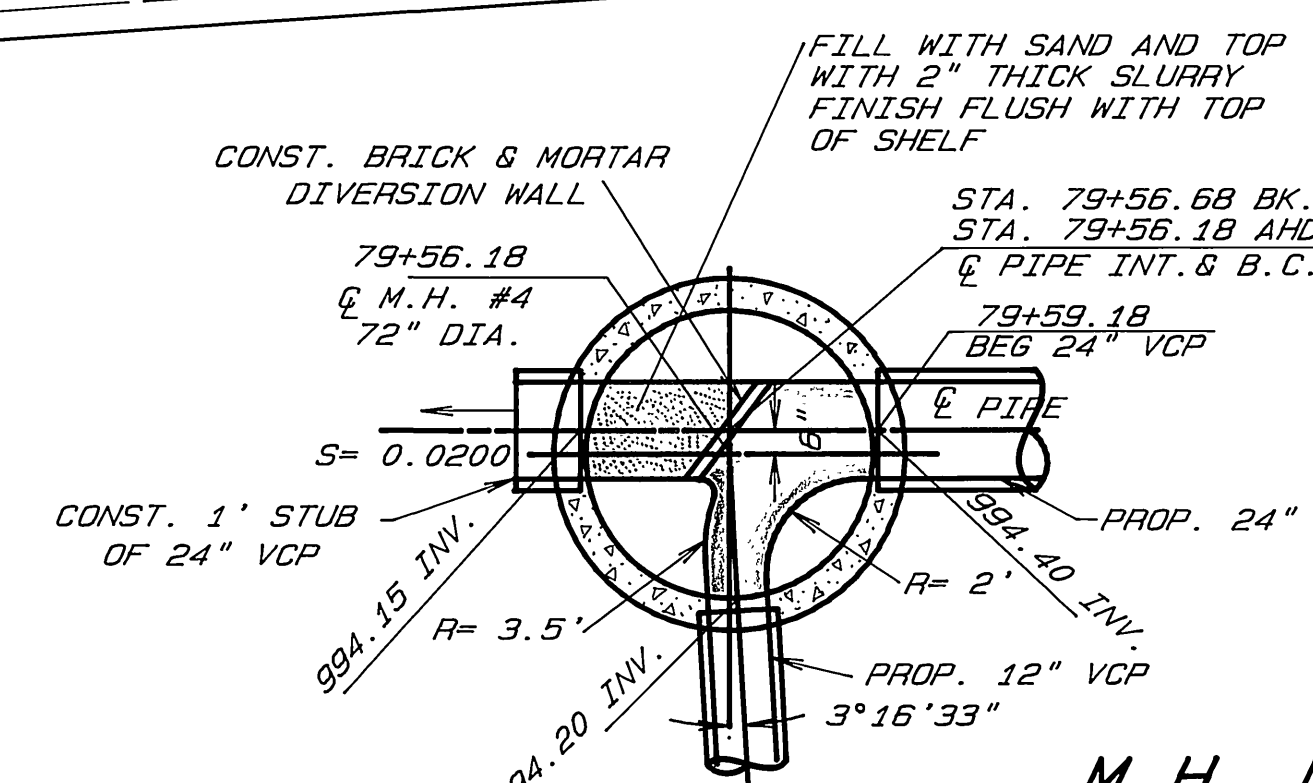
CONST. 465 LF OF 24" VCP

CONST. 96 LF OF 24" VCP

Q = 37 CFS
ULT. PEAK

Q = 37 CFS
ULT. PEAK

Q = 37 CFS
ULT. PEAK



M.H. DETAIL @ STA. 79+56.18
SCALE: 1" = 4'

BENCH MARK HB-D
PK & C.R. TAG IN CURB 1550'+ E'LY OF CANYON CREST DR. AT END OF MEDIAN ISLAND S'LY OF LA COLINA SUBSTATION PER B.M. BOOK ELEV. 1151.04



INDEX	R	Δ	T	L
1964	6°01'46"	103.44'	206.68'	
2017	4°36'45"	81.23'	162.38'	

CITY OF RIVERSIDE
PUBLIC WORKS DEPARTMENT

APPROVED BY: [Signature]
DATE: 3/29/90

DESIGNED BY: RVZ
DRAWN BY: RVZ
CHECKED BY: ACM

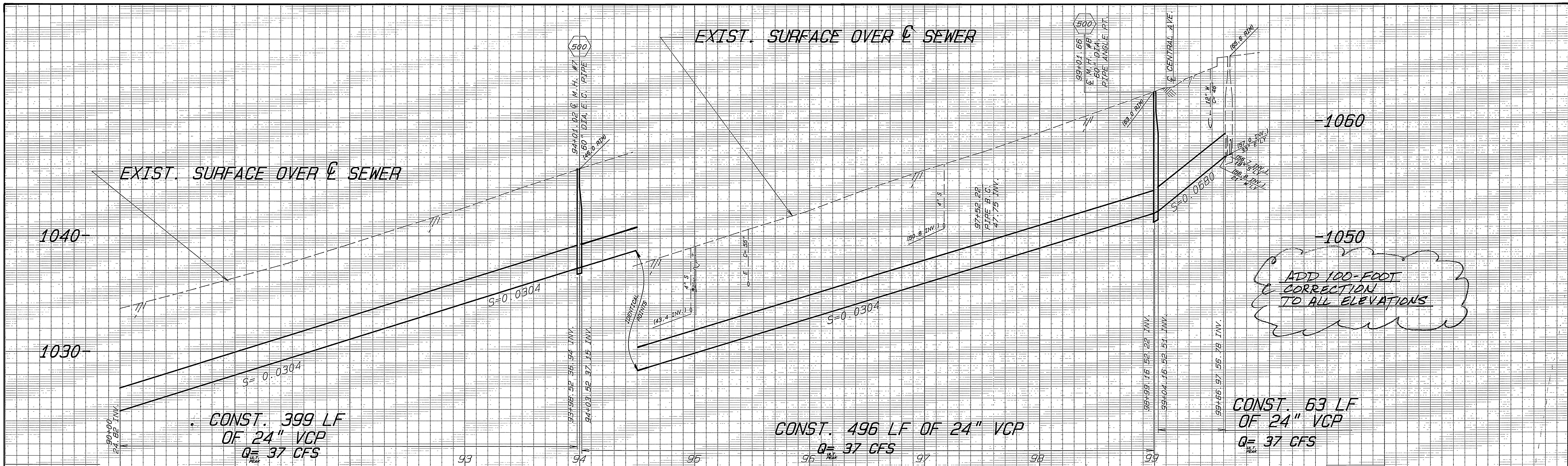
INDEX 8-9-90
ACCOUNT NO. 52-577-515

CENTRAL / CANYON CREST
TRUNK SEWER EXTENSION

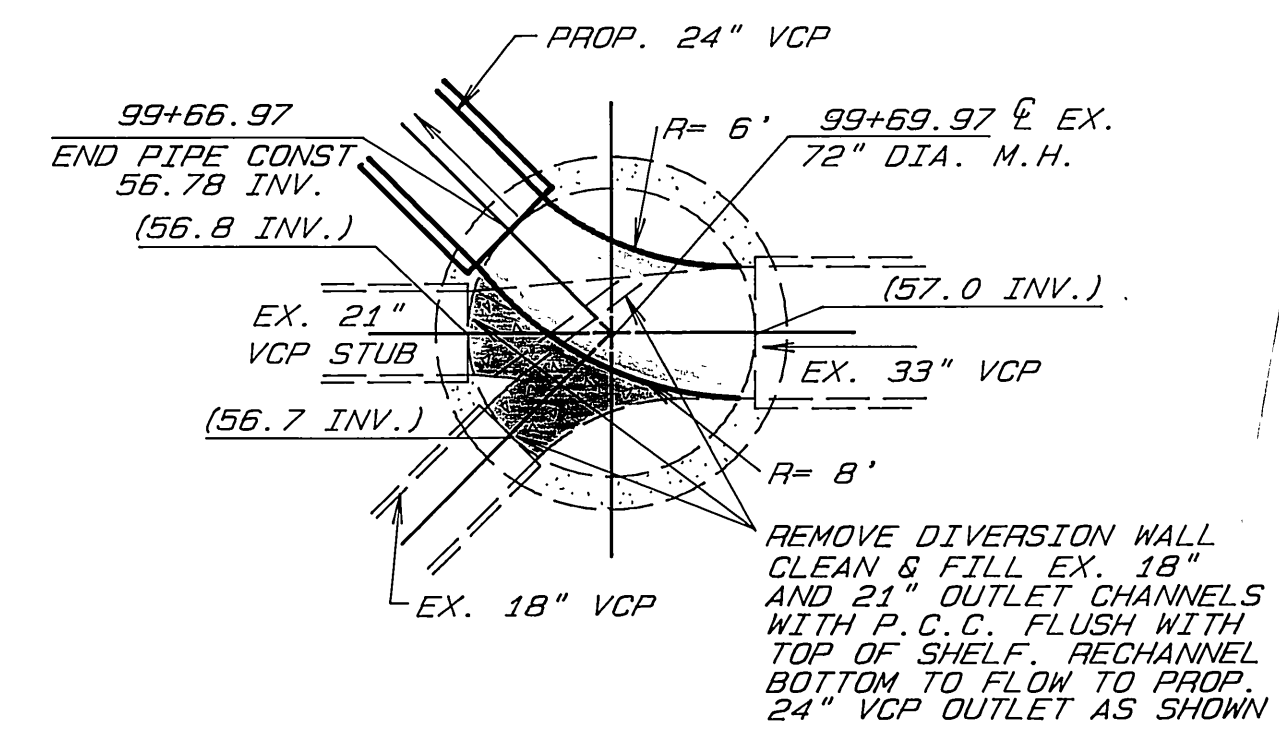
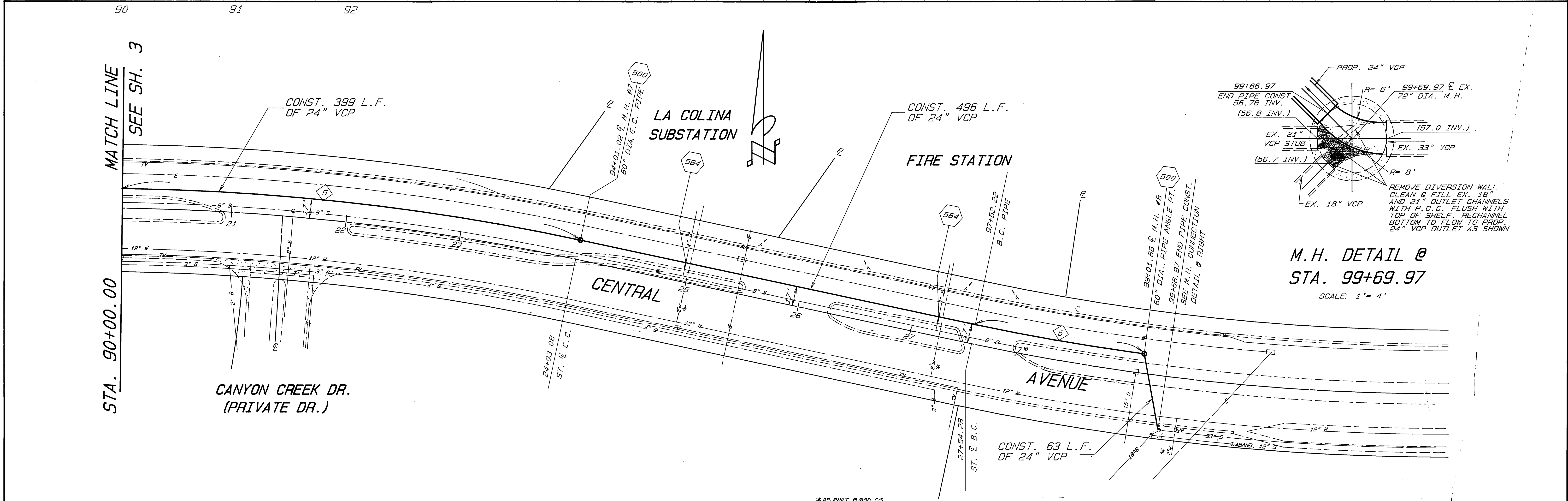
S-1551

SHEET 3 OF 4

HORIZ. SCALE: 1" = 40'
VERT. SCALE: 1" = 4'



ADD 100-FOOT
CORRECTION
TO ALL ELEVATIONS



M.H. DETAIL @
STA. 99+69.97
SCALE: 1" = 4'



INDEX	R	Δ	T	L
5	2017'	11 23'30"	201.17'	401.02'
6	1983'	4 19'04"	74.75'	149.44'

CITY OF RIVERSIDE
PUBLIC WORKS DEPARTMENT

APPROVED BY: DATE BY
 PRINCIPAL ENGINEER 3/29/90
 CHIEF P.W. ENGINEER
 CHIEF P.W. INSPECTOR 3/29/90
 SURVEYOR 3/29/90
 TRAFFIC DIVISION 3/29/90
 PARK DEPARTMENT

APPROVED BY: DATE BY
 PUBLIC WORKS DIRECTOR
 DATE 3/29/90

INDEX 8-P-90 ACCOUNT NO. 15-577-515

CENTRAL/ CANYON CREST
TRUNK SEWER EXTENSION S-1551

HORIZ. SCALE: 1" = 40' VERT. SCALE: 1" = 4'

SHEET 4 OF 4