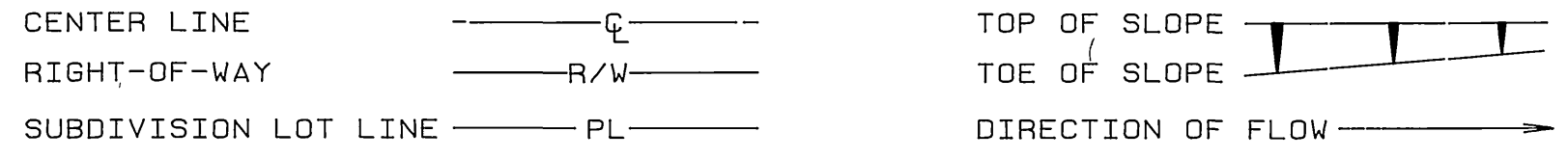


RIVERSIDE CITY OF RIVERSIDE CALIFORNIA

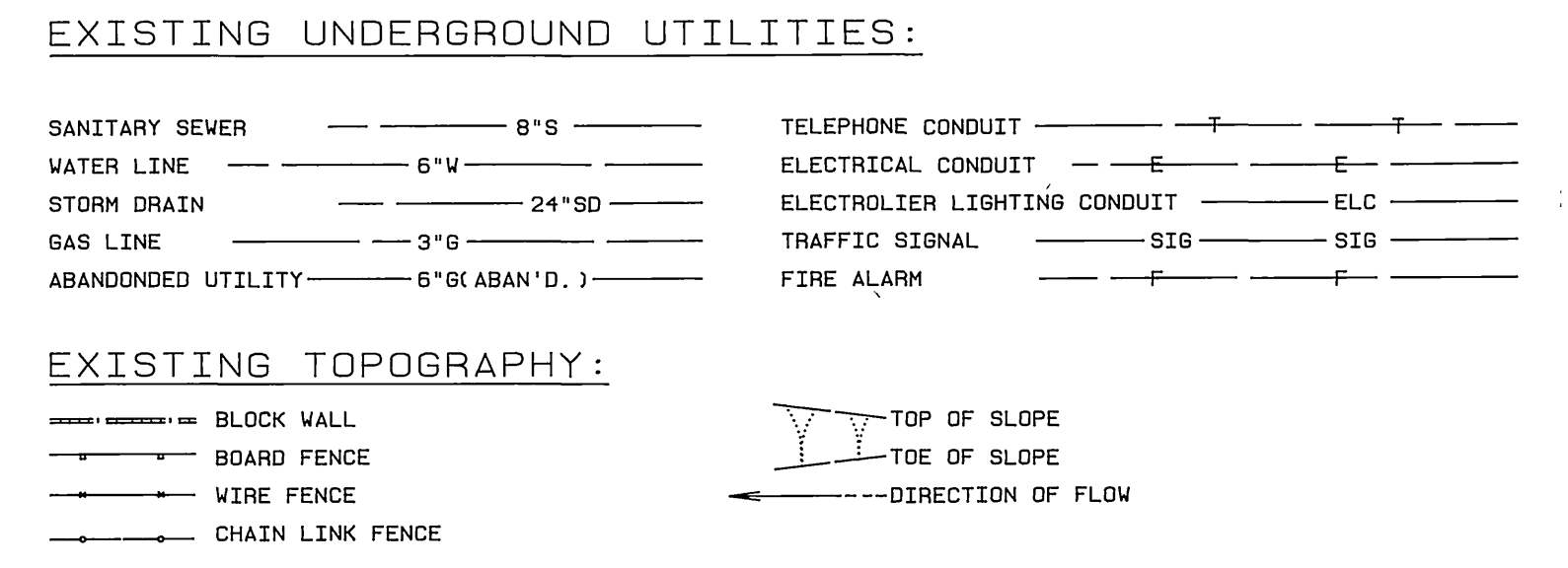
PUBLIC WORKS DEPARTMENT

PHOENIX AVENUE TRUNK SEWER (PHASE II)

CONSTRUCTION LEGEND

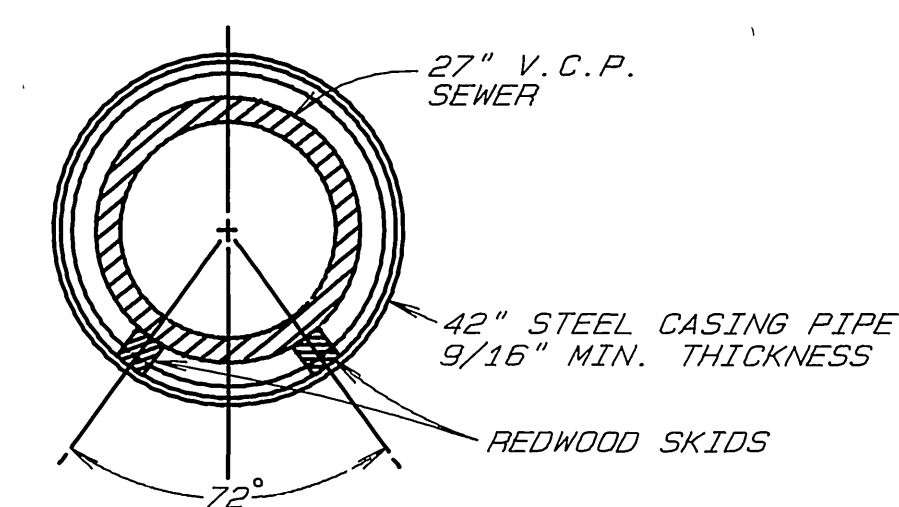


EXISTING UNDERGROUND & TOPOGRAPHY LEGEND

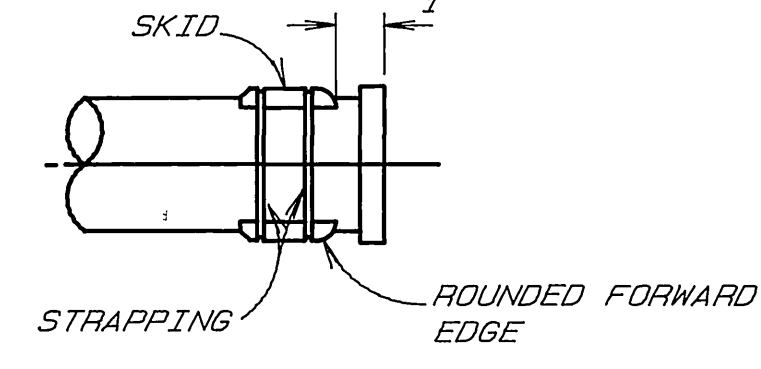


SPECIFIC CONSTRUCTION NOTES

- NUMBERS ABOVE 100 IN A HEXAGON ON THE PLAN REFER TO THE RESPECTIVE STANDARD DRAWING AND SHALL BE CONSTRUCTED ACCORDINGLY, UNLESS MODIFICATIONS ARE NOTED ON THE PLAN OR COVER SHEET. ANY NUMBER SHOWN BELOW THE STANDARD DRAWING NUMBER INDICATES THE SPECIFIC ALTERNATE TO BE CONSTRUCTED.
- REMOVE PALM TREE TO ALLOW FOR SEWER LINE INSTALLATION AND REPLACE TO ORIGINAL LOCATION AS DIRECTED BY PARKS INSPECTOR.
- REMOVE EXISTING TREE. CLASS I-6" TO 18", CLASS II 18" TO 36", CLASS III-OVER 36"
- INDICATES DETAIL
- INDICATES SHEET NO.
- PLANT MAGNOLIA GRANDIFLORA (MAJESTIC BEAUTY) STREET TREE (15 GAL. MIN.) AS DIRECTED BY TREE INSPECTOR AND AS DESCRIBED IN PARK & RECREATION SECTION OF THE ACCOMPANYING SPECIAL PROVISIONS (10 PLACES)



END VIEW
SCALE: 1"=2'



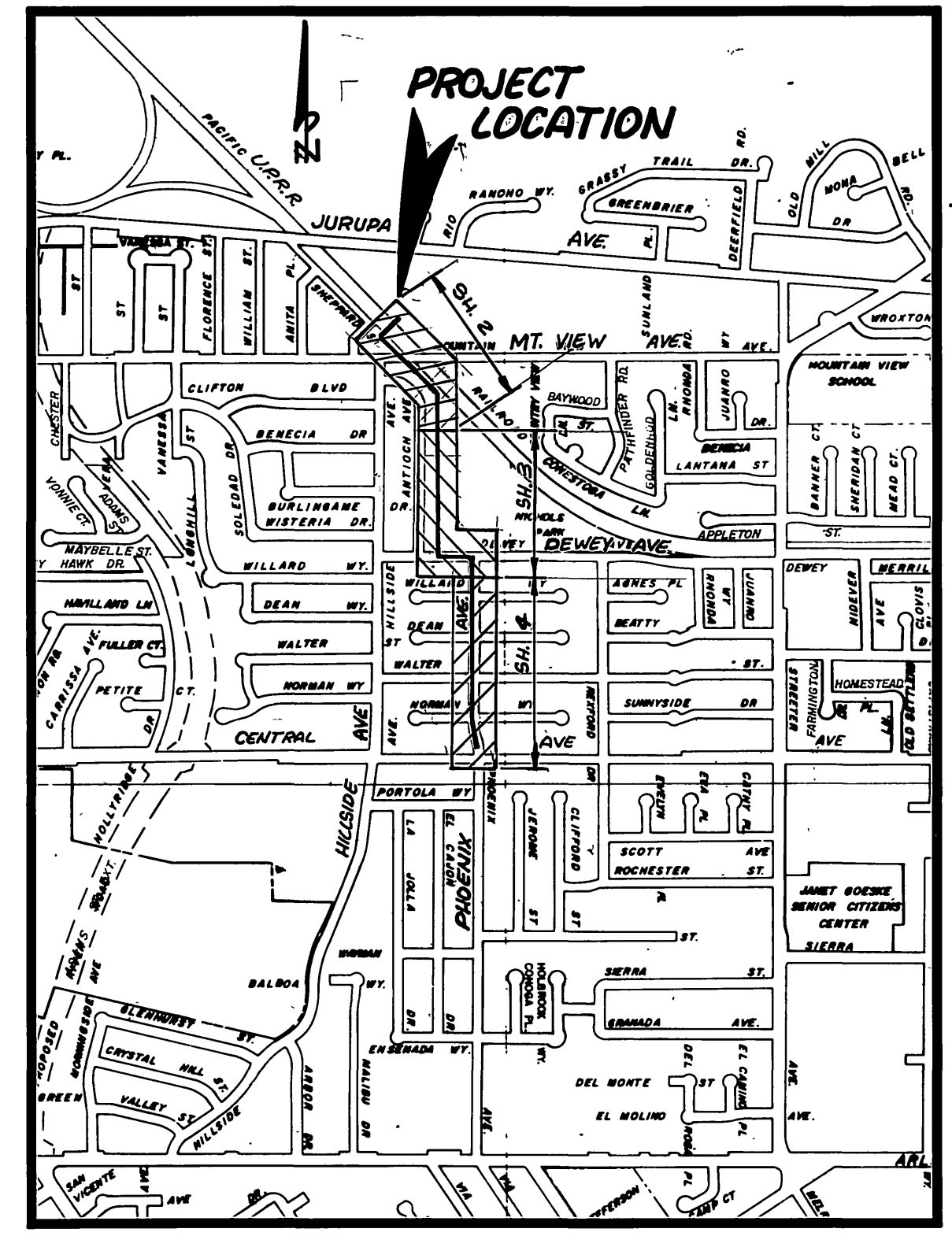
SKID PLACEMENT
SCALE: 1"=4'

SKID SPECIFICATIONS
ALL SKIDS SHALL BE OF REDWOOD, 24" TO 30" IN LENGTH, 4" IN WIDTH, AND OF SUFFICIENT HEIGHT TO PROVIDE A MINIMUM 1" CLEARANCE AT COUPLINGS. ALL SKIDS SHALL BE OF EQUAL DIMENSIONS AND POSITIONED UNIFORMLY WITH ONE SET OF SKIDS PER PIPE SECTION.

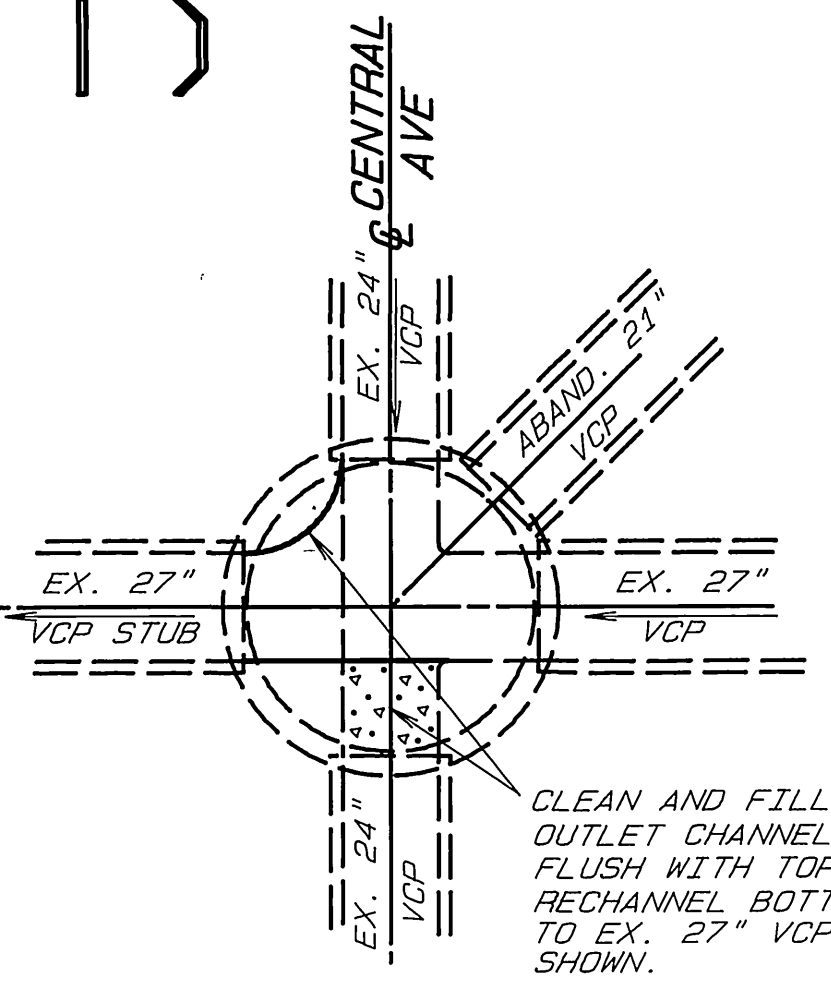
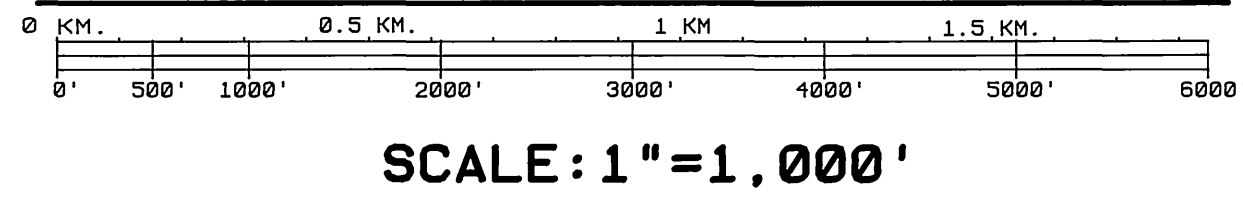
STEEL CASING PIPE AND SKIDS DETAIL

GENERAL CONSTRUCTION NOTES

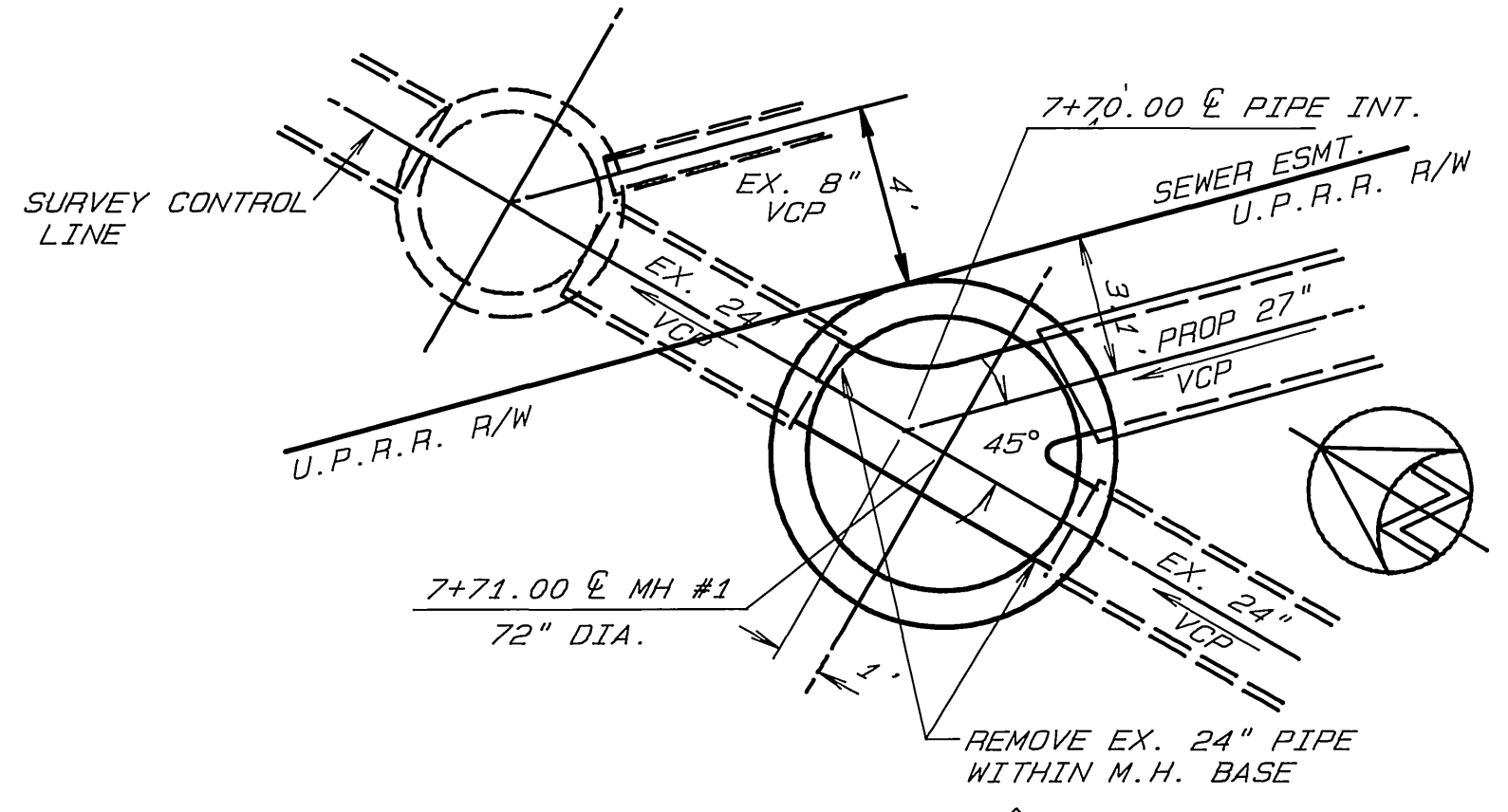
- EXISTING UTILITIES SHOWN ON THIS PLAN ARE PLOTTED FROM UTILITY RECORDS. THE CONTRACTOR IS REQUIRED TO TAKE DUE PRECAUTIONARY MEASURES TO LOCATE AND PROTECT ALL UTILITIES WHETHER OR NOT SHOWN ON THIS PLAN. IF THE COVER OF A UTILITY IS KNOWN, IT IS SHOWN IN THE PROFILE. UTILITIES IN THE PROFILE AS SHOWN WITH A DASHED LINE INDICATES THAT THE COVER IS UNKNOWN, BUT THE UTILITY IS NOT EXPECTED TO CONFLICT WITH THE PROPOSED IMPROVEMENTS.
- ALL ELEVATIONS SHOWN ON THE PLANS SHALL BE STAKED IN THE FIELD.
- PRIME CONTRACTORS BIDDING THIS WORK SHALL HAVE A CLASS A, C-34 OR C-42 LICENSE.
- EXISTING 27" SEWER AT STA. 40+58.09 SHALL BE EXPOSED AND STATION AND ELEVATION VERIFIED BY CITY SURVEYORS PRIOR TO THE ISSUANCE OF GRADE SHEETS.
- MOUNTAIN VIEW IS AN ENERGIZED ELECTRICAL SUBSTATION. AT ANY TIME THE FENCE IS OPEN TO ALLOW ACCESS FOR CONSTRUCTION, A QUALIFIED ELECTRICAL WORKER FROM THE PUBLIC UTILITIES DEPARTMENT SHALL BE PRESENT. THE SITE SHALL BE SECURED AT THE END OF EACH WORK DAY. TO SCHEDULE A STANDBY ELECTRICIAN, PLEASE CONTACT BOB THOMAS AT 782-5944 AT LEAST 72 HOURS IN ADVANCE. THE ESTIMATED COST FOR SUBSTATION ELECTRICIAN STANDBY IS \$53.46 PER HOUR INCLUDING OVERHEADS. THIS COST SHALL BE PAID BY THE SEWER CONSTRUCTION CONTRACTOR.
- MINIMUM PAVEMENT REPLACEMENT SECTIONS SHALL BE:
MT. VIEW AVE = 10.5" FULL DEPTH A.C.
DEWEY ST. = 11.5" FULL DEPTH A.C.
WILLARD, DEAN, WALTER, NORMAN = 8" FULL DEPTH A.C.
THIS REPLACEMENT SECTION INCLUDES THE ADDITIONAL 1" A.C. REQUIRED BY CITY STD DWS. #453.



PROJECT LOCATION PLAN



DETAIL A
M.H. MOD. @ STA. 40+97.19
SCALE: 1"=4'



DETAIL B
M.H. CONNECTION DETAIL @ STA 7+71.00
SCALE: 1"=4'

ENGINEER IN RESPONSIBLE CHARGE
Ronald C. Mueller
RONALD C. MUELLER
R.C.E. 29510 expires 3-31-91
DATE 12-7-90



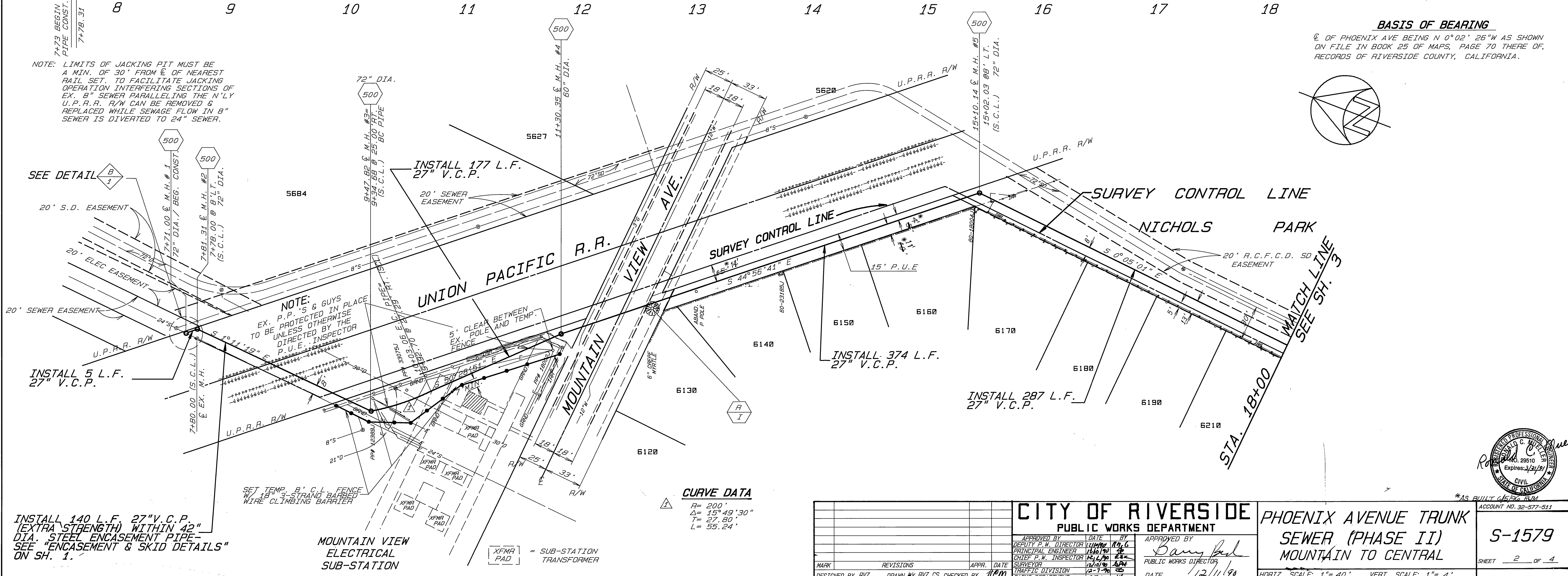
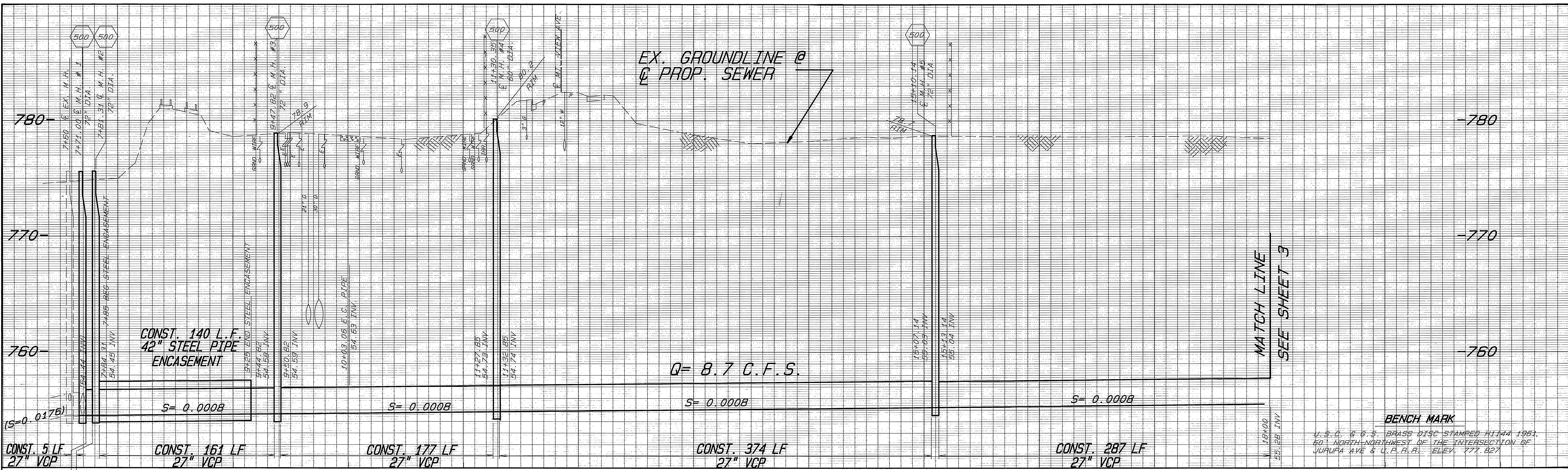
CITY OF RIVERSIDE PUBLIC WORKS DEPARTMENT
APPROVED BY: DEPUTY P.W. ENGINEER, PRINCIPAL ENGINEER, SURVEYOR, CHIEF P.W. INSPECTOR, TRAFFIC DIVISION, PARK & RECREATION
DATE: 12/11/90

PHOENIX AVENUE TRUNK SEWER (PHASE II) MOUNTAIN TO CENTRAL
DESIGNED BY: RYZ, DRAWN BY: RYZ/ES, CHECKED BY: _____

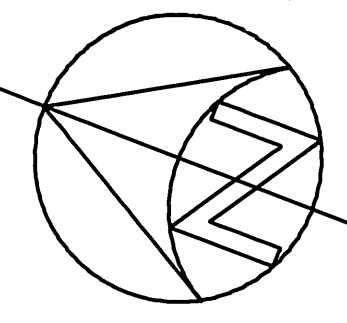
AS BUILT 6/9/96 RYM
ACCOUNT NO. 92-577-511
S-1579
SHEET 1 OF 4

IMPORTANT NOTICE
Section 4216/4217 of the Government Code requires a Dig Alert Identification Number to be issued before a "Permit to Excavate" will be valid. For your Dig Alert I.D. Number call Underground Service Alert TOLL FREE 1-800-422-4133 Two working days before you dig.

PC 3191-5



BASIS OF BEARING
C OF PHOENIX AVE BEING N 0° 02' 26" W AS SHOWN ON FILE IN BOOK 25 OF MAPS, PAGE 70 THERE OF, RECORDS OF RIVERSIDE COUNTY, CALIFORNIA.



CITY OF RIVERSIDE PUBLIC WORKS DEPARTMENT		PHOENIX AVENUE TRUNK SEWER (PHASE II) MOUNTAIN TO CENTRAL		S-1579 SHEET 2 OF 4
APPROVED BY DEPUTY P.W. DIRECTOR PRINCIPAL ENGINEER CHIEF P.W. INSPECTOR SURVEYOR TRAFFIC DIVISION	DATE 12/11/90 12/11/90 12/11/90 12/11/90 12/11/90	APPROVED BY PUBLIC WORKS DIRECTOR <i>Darryl Paul</i>	DATE 12/11/90	HORIZ. SCALE: 1" = 40' VERT. SCALE: 1" = 4'
DESIGNED BY: RVZ DRAWN BY: RVZ, CS CHECKED BY: JEM	APPR. DATE JEM	PUBLIC WORKS DEPARTMENT PARKS DEPARTMENT	AS BUILT 4/13/94 R/W ACCOUNT NO. 32-577-514	INDEXED S-2-91 4/1

PC 3191-5

780-
770-
760-

MATCH LINE
SEE SHEET 2

MATCH LINE
SEE SHEET 4

EX. SURFACE @
Q PROP. SEWER

Q = 8.7 CFS

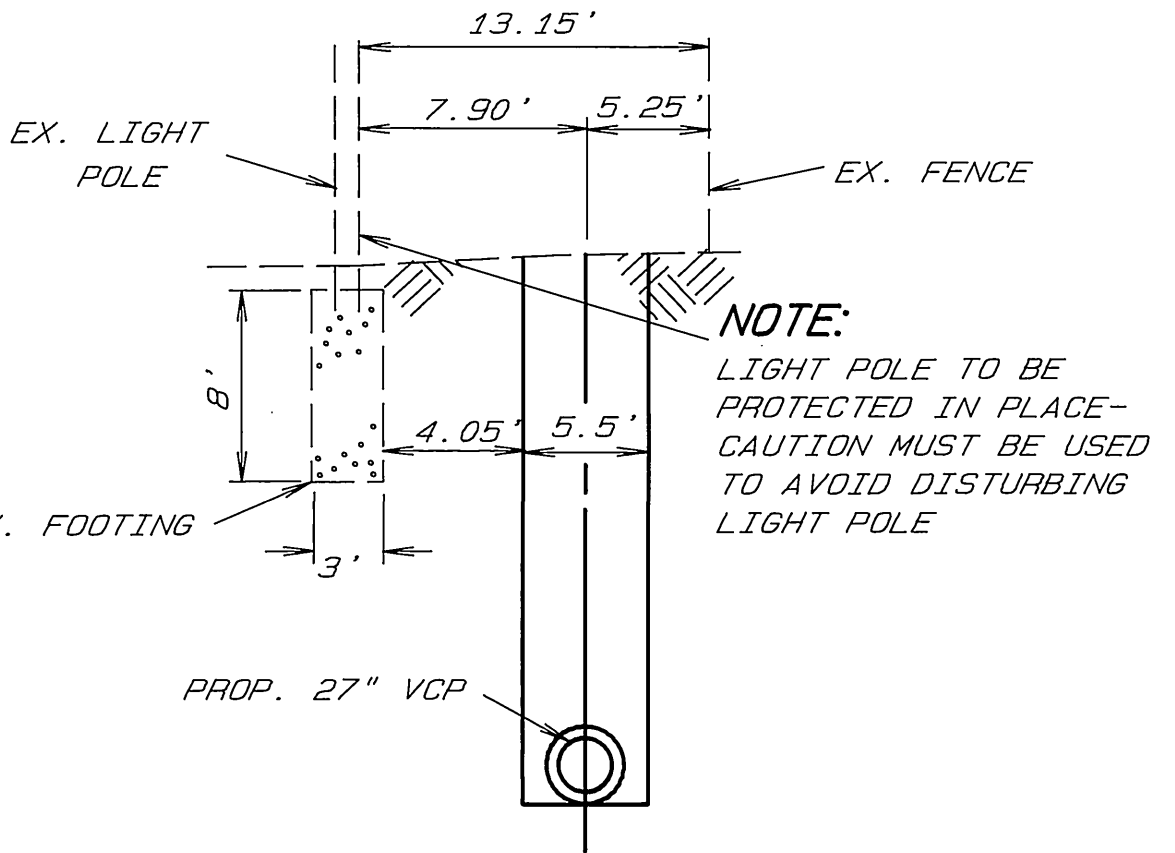
CONST. 153 LF
OF 27" VCP

CONST. 247 LF OF 27" VCP

CONST. 387 LF OF 27" VCP

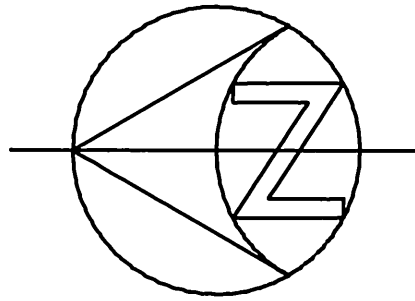
CONST. 197 LF OF 27" VCP

CONST. 144 LF
OF 27" VCP

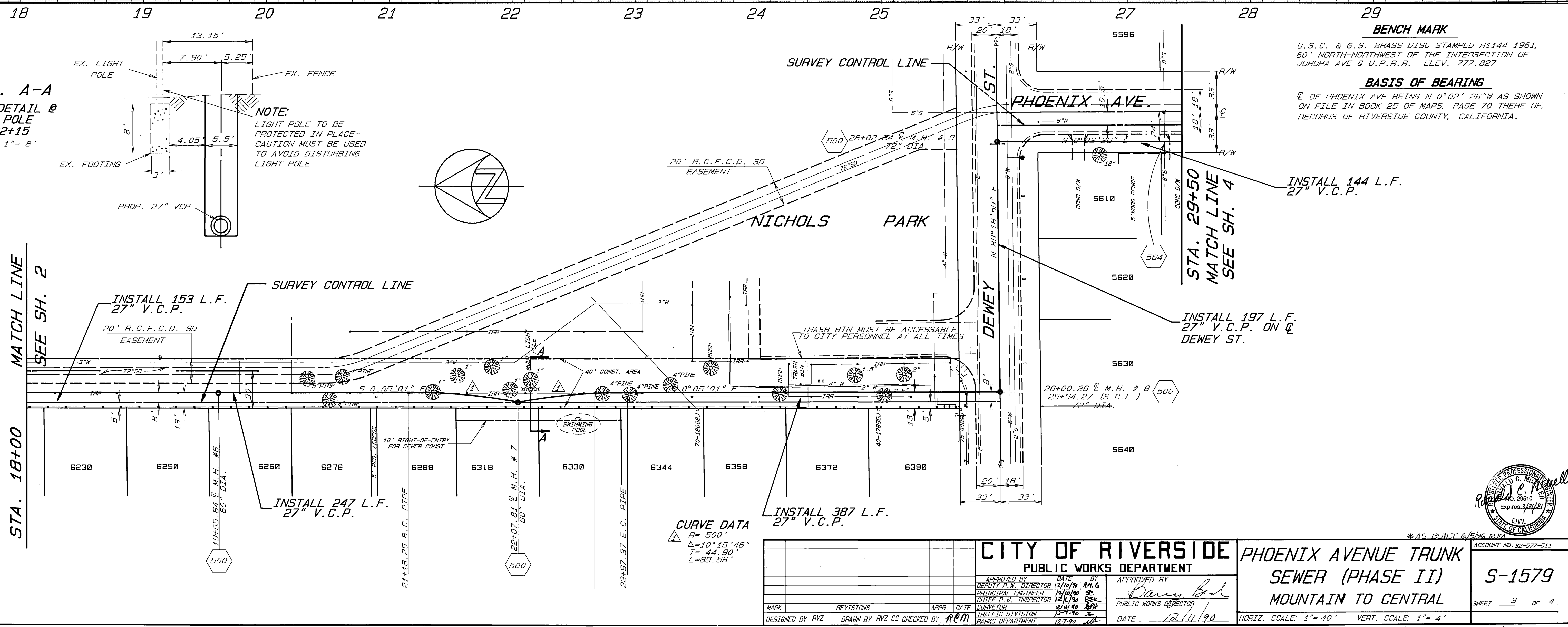


SECT. A-A
TRENCH DETAIL @
LIGHT POLE
STA 22+15
SCALE: 1" = 8'

NOTE:
LIGHT POLE TO BE
PROTECTED IN PLACE -
CAUTION MUST BE USED
TO AVOID DISTURBING
LIGHT POLE



STA. 18+00
MATCH LINE
SEE SH. 2



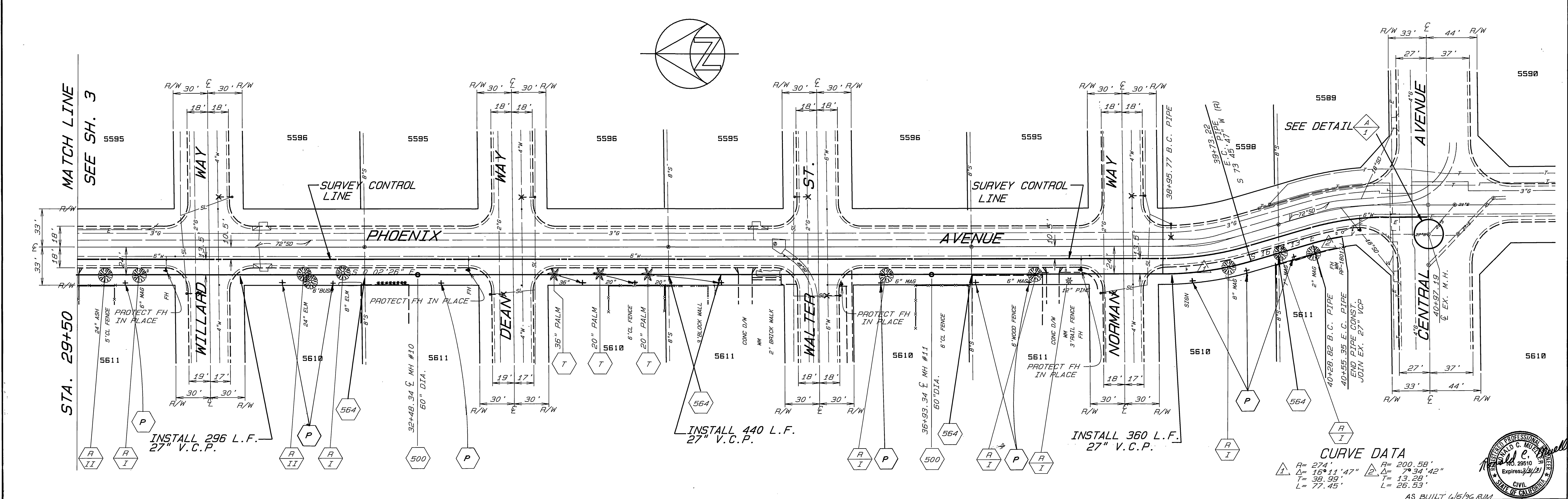
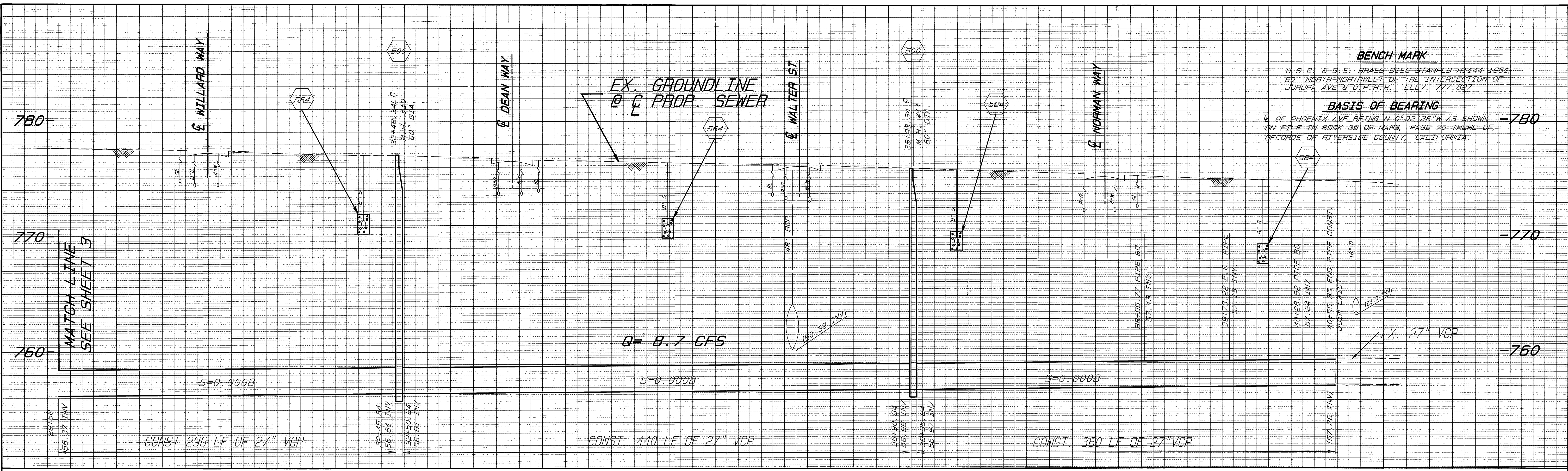
BENCH MARK
U.S.C. & G.S. BRASS DISC STAMPED H1144 1961,
60" NORTH-NORTHWEST OF THE INTERSECTION OF
JURUPA AVE & U.P.R.R. ELEV. 777.827

BASIS OF BEARING
Q OF PHOENIX AVE BEING N 0° 02' 26" W AS SHOWN
ON FILE IN BOOK 25 OF MAPS, PAGE 70 THERE OF,
RECORDS OF RIVERSIDE COUNTY, CALIFORNIA.

CURVE DATA
R = 500'
Δ = 10° 15' 46"
T = 44.90'
L = 89.56'



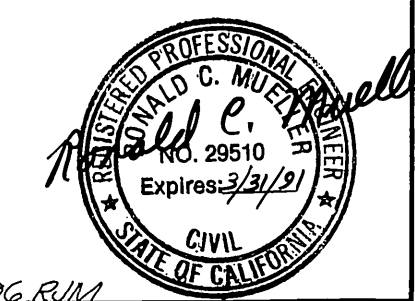
CITY OF RIVERSIDE PUBLIC WORKS DEPARTMENT		PHOENIX AVENUE TRUNK SEWER (PHASE II) MOUNTAIN TO CENTRAL		ACCOUNT NO. 32-577-511 S-1579 SHEET 3 OF 4
APPROVED BY DEPUTY P.W. DIRECTOR PRINCIPAL ENGINEER CHIEF P.W. INSPECTOR SUPERVISOR TRAFFIC DIVISION DESIGNED BY RVZ	DATE 12/16/90 12/16/90 12/16/90 12/16/90 12/7/90 12/7/90	APPROVED BY <i>Darryl Bell</i> PUBLIC WORKS DIRECTOR DATE 12/14/90	*AS BUILT 6/5/96 RJM HORIZ. SCALE: 1" = 40' VERT. SCALE: 1" = 4' INDEXED S-2-91 4H	PC 3191-5



CURVE DATA

1	R= 274'	2	R= 200.58'
Δ= 15° 11' 47"	Δ= 7° 34' 42"		
T= 38.99'	T= 13.28'		
L= 77.45'	L= 26.53'		

AS BUILT 4/6/96 R/W



CITY OF RIVERSIDE				PHOENIX AVENUE TRUNK	
PUBLIC WORKS DEPARTMENT				SEWER (PHASE II)	
MOUNTAIN TO CENTRAL				S-1579	
APPROVED BY DATE BY		APPROVED BY DATE BY		ACCOUNT NO. 32-577-511	
DEPUTY P.W. DIRECTOR 12/10/90 RAC		PUBLIC WORKS DIRECTOR 12/11/90		SHEET 4 OF 4	
PRINCIPAL ENGINEER 12/10/90 SC		DATE 12/11/90		INDEXED 5-2-91 LHM	
CHIEF P.W. INSPECTOR 12/10/90 SC		TRAFFIC DIVISION 12/7/90			
SUPERVISOR 12/10/90 SC		MARKS DEPARTMENT 12/7/90			
DESIGNED BY RVZ		DRAWN BY CS		CHECKED BY RCM	