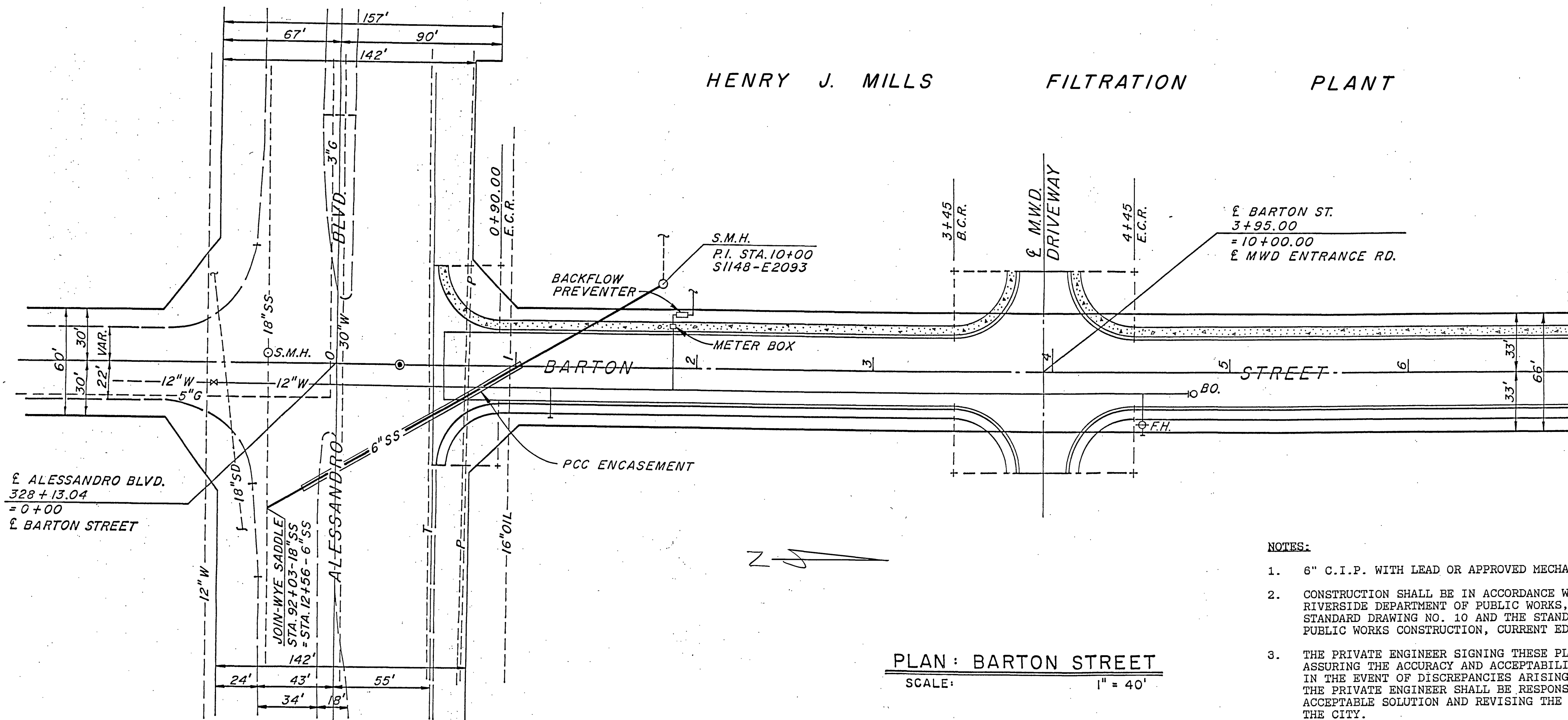


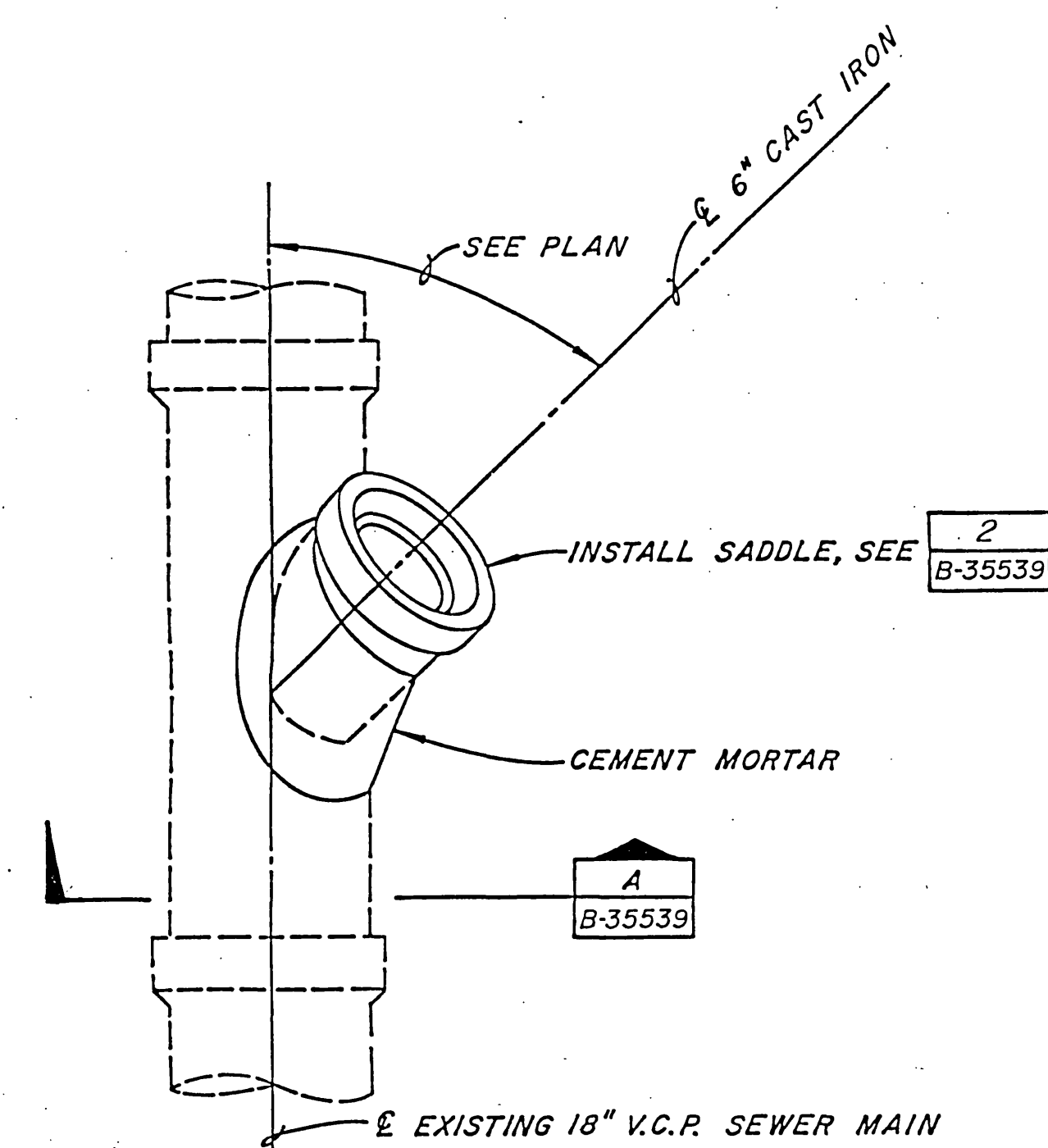
HENRY J. MILLS FILTRATION PLANT



PLAN: BARTON STREET
SCALE: 1" = 40'

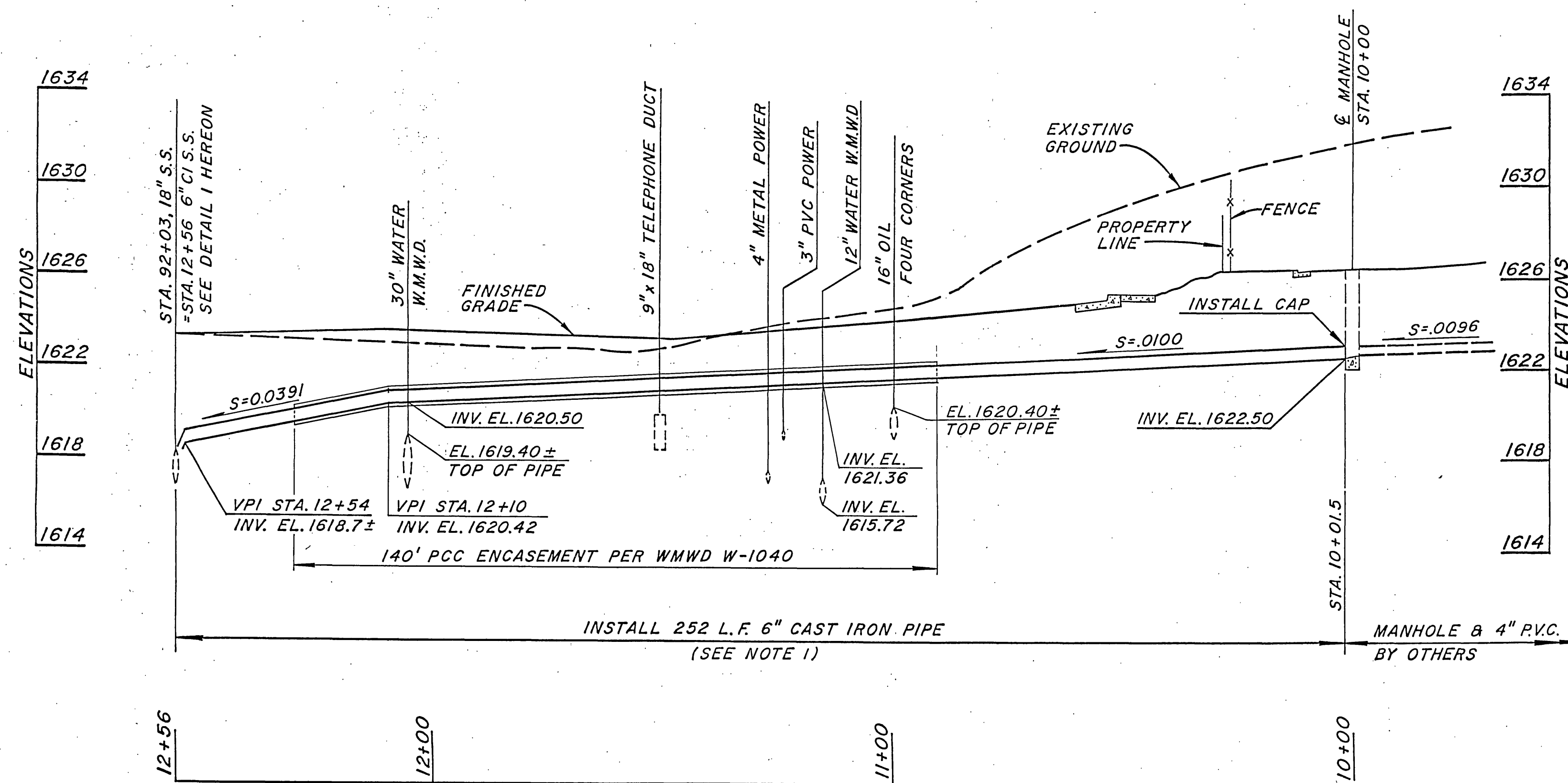
NOTES:

- 6" C.I.P. WITH LEAD OR APPROVED MECHANICAL JOINTS.
- CONSTRUCTION SHALL BE IN ACCORDANCE WITH THE CITY OF RIVERSIDE DEPARTMENT OF PUBLIC WORKS, STANDARD DRAWINGS, STANDARD DRAWING NO. 10 AND THE STANDARD SPECIFICATIONS FOR PUBLIC WORKS CONSTRUCTION, CURRENT EDITION.
- THE PRIVATE ENGINEER SIGNING THESE PLANS IS RESPONSIBLE FOR ASSURING THE ACCURACY AND ACCEPTABILITY OF THE WORK HEREON. IN THE EVENT OF DISCREPANCIES ARISING DURING CONSTRUCTION, THE PRIVATE ENGINEER SHALL BE RESPONSIBLE FOR DETERMINING AN ACCEPTABLE SOLUTION AND REVISING THE PLANS FOR APPROVAL BY THE CITY.

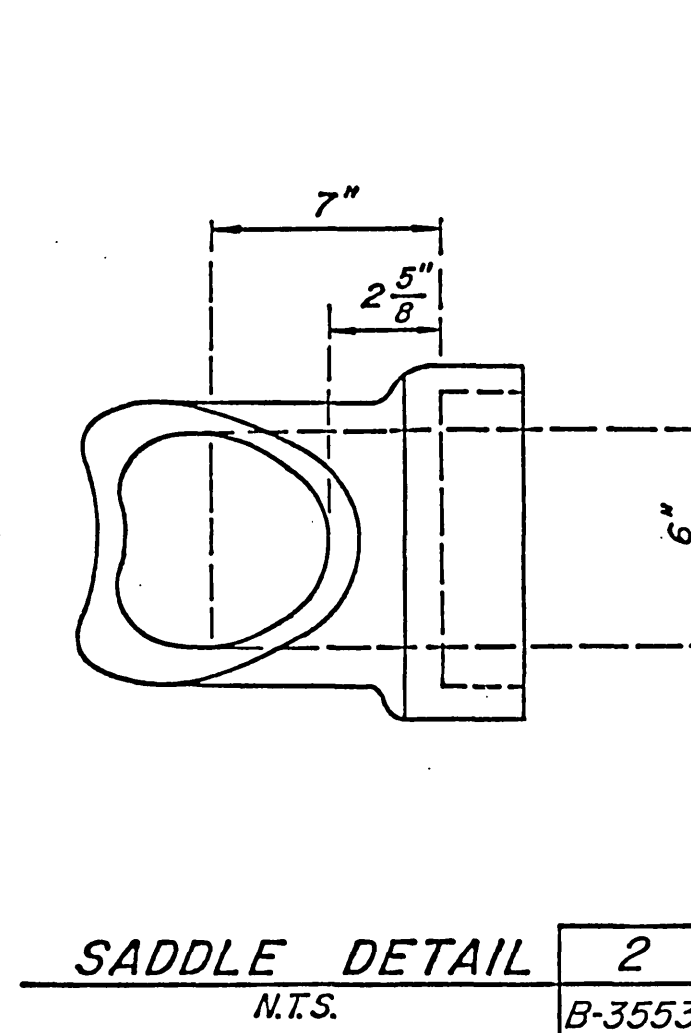


SEWER CONNECTION DETAIL 1
N.T.S. B-35539

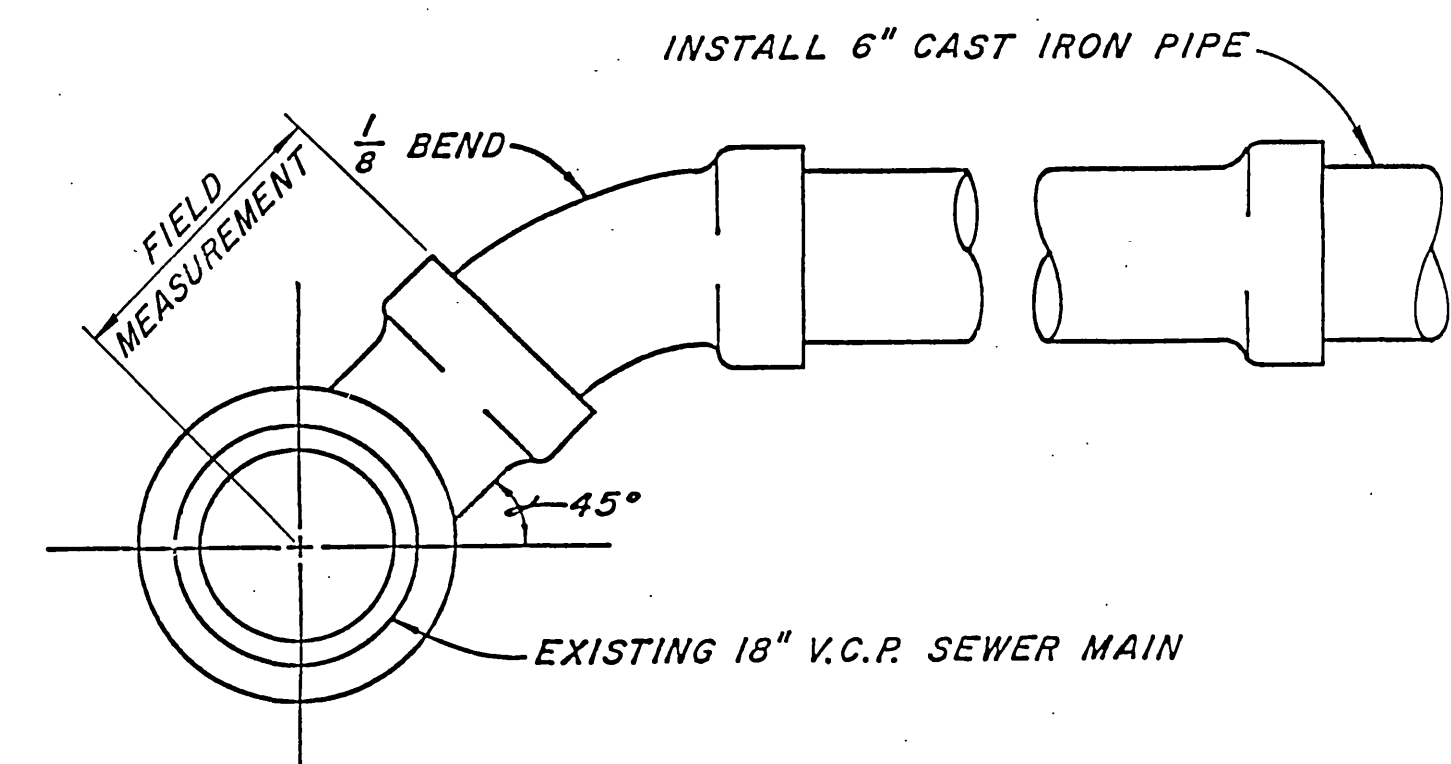
PER CITY OF RIVERSIDE
STD. DWG. NO. 562



SEWER PROFILE
SCALE: 1" = 20'



SADDLE DETAIL 2
N.T.S. B-35539



SECTION A
N.T.S. B-35539



M.W.D. DRAWING NO. B-35539

FOUR CORNERS PIPELINE REVIEWED BY: <i>[Signature]</i> SHEET 1 OF 1 THRU (B-35539) DESIGNED BY: <i>[Signature]</i> DRAWN BY: <i>[Signature]</i> CHECKED BY: <i>[Signature]</i> DATE: 7/16/91		THE METROPOLITAN WATER DISTRICT OF SOUTHERN CALIFORNIA RECOMMENDED BY: <i>[Signature]</i> APPROVED BY: <i>[Signature]</i>		CITY OF RIVERSIDE PUBLIC WORKS DEPARTMENT APPROVED BY: <i>[Signature]</i> DATE: 7/25/91 TRAFFIC DIVISION CHIEF P.W. ENGINEER		CITY OF RIVERSIDE SANITARY SEWER PLAN, PROFILE, DETAILS AND SECTION PRIVATE LATERAL FOR M.W.D. HORIZ. SCALE: 1" = AS SHOWN VERT. SCALE: 1" = 4' ACCOUNT NO. 9-1628 INDEXED 8-22-91 LFH	
--	--	--	--	---	--	---	--