

JOB NO.
S-1636

REV	DATE	BY	DESCRIPTION

SCALE:
1"=10'
WARNING
IF THIS BAR DOES NOT MEASURE 1" THEN DRAWING IS NOT TO SCALE.

DESIGNED *J. Gantney*
DRAWN *R. Duarte*
CHECKED *ed*

SUBMITTED
Partho Namuduri
PROJECT ENGINEER
R. C. E. NO. C-49471 DATE 5-23-94
RECOMMENDED
Zumondra Thakral
MONTGOMERY WATSON
R. C. E. NO. C-44599 DATE 5-23-94



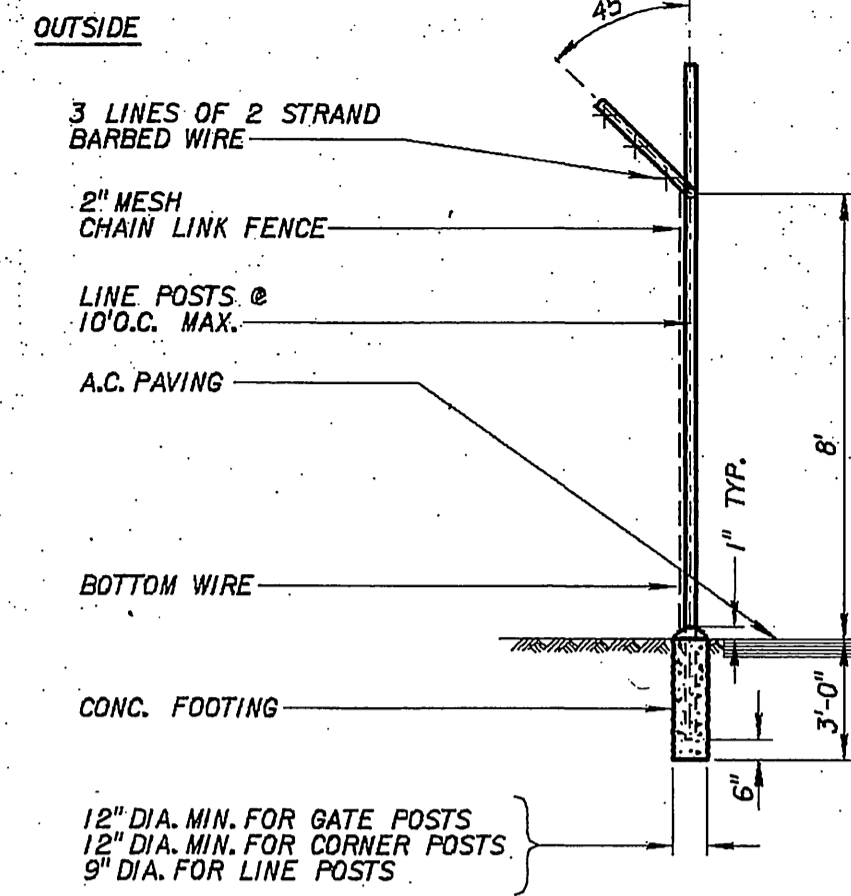
APPROVED _____ DATE _____
APPROVED _____ DATE _____

CITY OF RIVERSIDE
PIERCE STREET PUMP STATION UPGRADE
DEMOLITION PLAN

SHEET
C-1
OF 44 SHEETS

INDEXED 1-31-05 LH

JOB No. 193.0463 FILE No. USR5/PRJ/RIVERPS/CIV/PPSC01000



NOTE:
EXTENSION ARM MAY BE TURNED IN, AT OPTION OF OWNER.

SPECIFICATION

BARBED WIRE 2 STRANDS OF NO. 12 1/2 STEEL WIRE WITH 4 POINT BARBS.

FABRIC NO. 9 GALV. STEEL WIRE, 2" MESH.

FABRIC TIES NO. 9 GALV. STEEL WIRE SPACED 14" APART ON POSTS AND 24" APART ON RAILS.

CORNER POST 3" O.D. PIPE, 5.79'/FT.

LINE POSTS 2.25" H - COLUMN SECTION, 4 1/4"/FT. OR STD. WEIGHT 2 1/2" O.D. PIPE, 3.65'/FT.

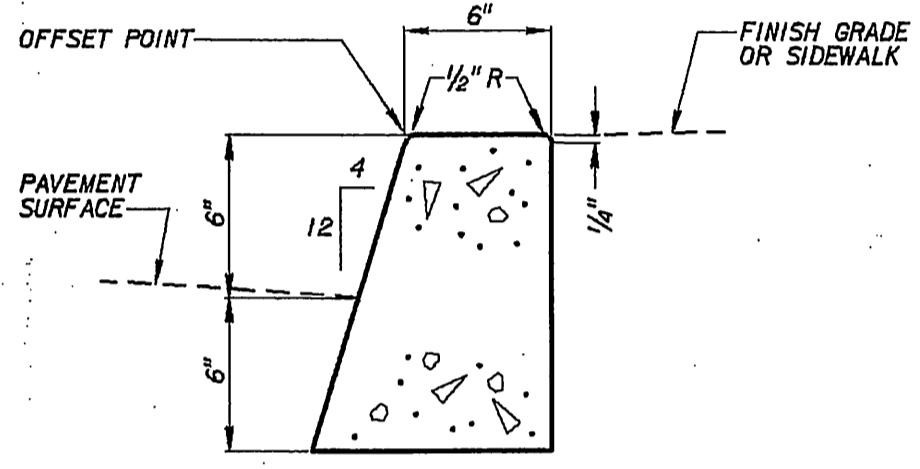
SWING GATE POSTS 4" O.D. PIPE, 9.1'/FT.

TOP RAIL & BRACES 1 3/8" O.D. PIPE, 2.27'/FT. OR 1 1/2" x 1 1/8" H - COLUMN SECTION, 2.00'/FT.

BOTTOM WIRE COIL SPRING WIRE 7 GA.

ALL FENCING MATERIALS... TO BE HOT - DIPPED GALVANIZED AFTER FABRICATION.

CHAIN LINK FENCE DETAIL C-101
NOT TO SCALE



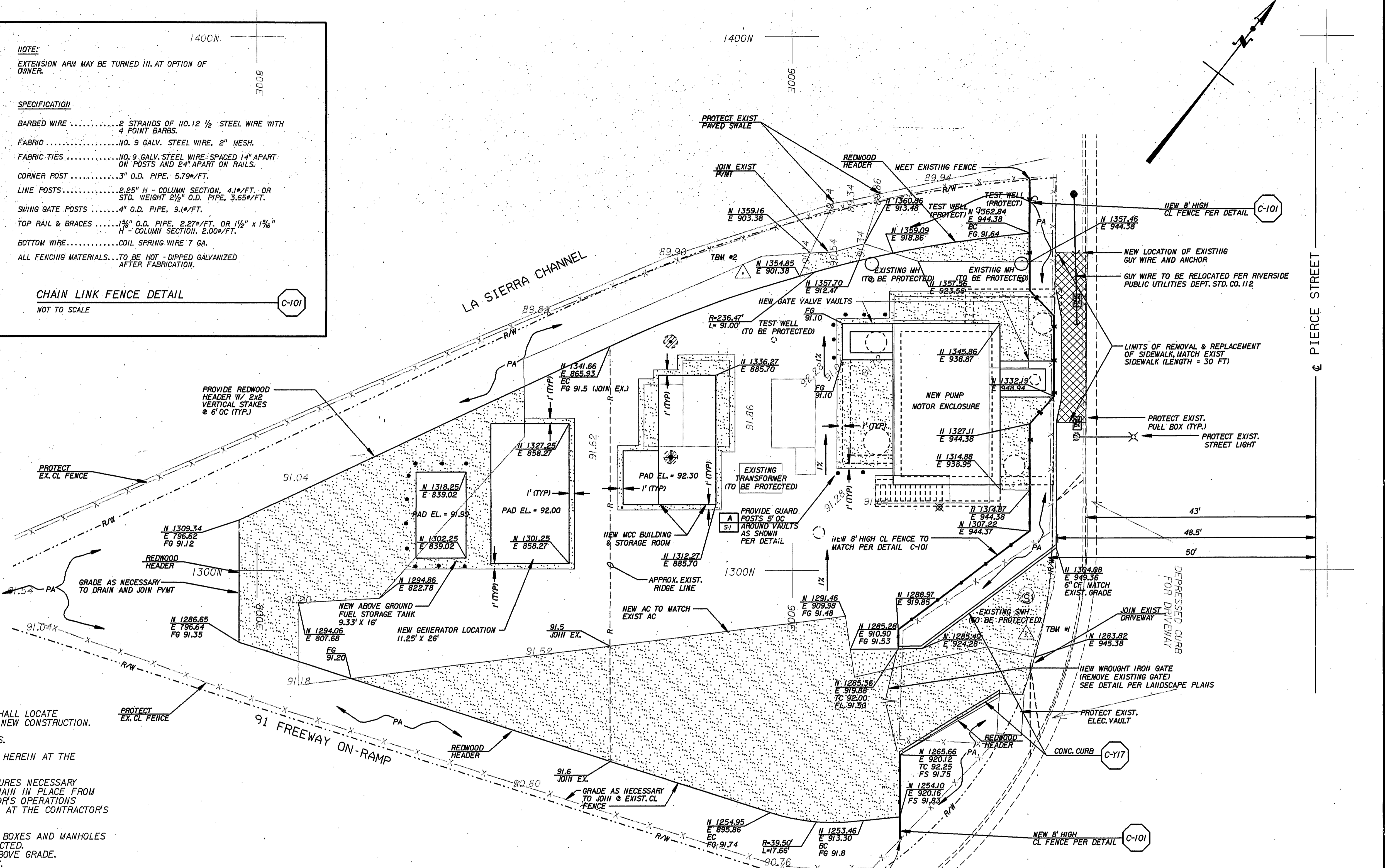
NOTE:

- EXPANSION JOINTS OF ONE - HALF INCH RIGID BITUMINOUS MATERIAL SHALL BE PLACED AT ALL B.C.'S AND AT MAXIMUM 50 - FEET SPACING.
- ALL EXPOSED SURFACES OF CURB SHALL BE GIVEN A MORTAR BRUSH COAT CONSISTING OF ONE PART PORTLAND CEMENT, ONE PART SAND PER SACK OF CEMENT, AND THEN TROWELED SMOOTH.

CONCRETE CURB C-117
NOT TO SCALE
REV 05/15/88

CIVIL GENERAL NOTES

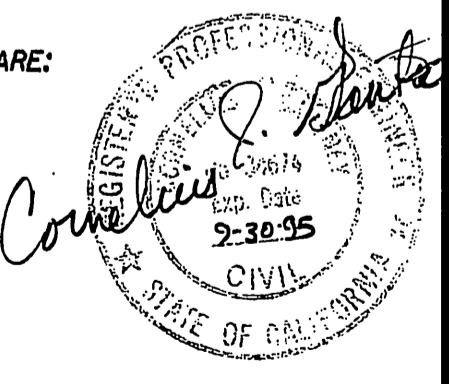
- PRIOR TO START OF CONSTRUCTION, THE CONTRACTOR SHALL LOCATE ALL EXISTING UTILITIES IN AND AROUND THE AREAS OF NEW CONSTRUCTION.
- THE CONTRACTOR SHALL PROTECT ALL EXISTING UTILITIES.
- THE PIPING AND OTHER SITE UTILITIES ARE NOT SHOWN HEREIN AT THE DIRECTION OF THE CITY.
- THE CONTRACTOR SHALL TAKE ALL PRECAUTIONARY MEASURES NECESSARY TO PROTECT EXISTING IMPROVEMENTS WHICH ARE TO REMAIN IN PLACE FROM DAMAGE. ALL IMPROVEMENTS DAMAGED BY THE CONTRACTOR'S OPERATIONS SHALL BE EXPEDITIOUSLY REPAIRED OR RECONSTRUCTED AT THE CONTRACTOR'S EXPENSE WITHOUT ADDITIONAL COMPENSATION.
- THE CONTRACTOR SHALL ADJUST ALL VALVE BOXES, PULL BOXES AND MANHOLES TO FINISHED GRADE UNLESS OTHERWISE SHOWN OR DIRECTED. MANHOLES IN OPEN FIELDS SHALL BE SET ONE FOOT ABOVE GRADE. APPROXIMATE RIM ELEVATIONS ARE SHOWN ON DRAWINGS.
- THE CONTRACTOR SHALL DISPOSE OF ALL DEBRIS FROM DEMOLITION PROPERLY.
- ALL BUILDING COORDINATES ARE TO OUTSIDE CORNER OF COLUMN OR BUILDING.
- LOCATION OF ELECTRICAL MANHOLES & PULLBOXES ARE APPROXIMATE. CONTRACTOR SHALL COORDINATE EXACT LOCATION OF MANHOLES & PULLBOXES WITH MECHANICAL, ELECTRICAL, AND CIVIL WORK.
- EXISTING SURFACE FEATURES SHOWN ON ALL SHEETS HEREIN ARE BASED ON UNVERIFIED AERIAL PHOTO. THE CONTRACTOR IS RESPONSIBLE FOR FIELD VERIFICATION OF ALL EXISTING SURFACE FEATURES, WHETHER SHOWN OR NOT HEREIN.
- CONTRACTOR SHALL MATCH NEW A.C. PAVING WITH EXISTING A.C. PAVING.



BASIS OF BEARING AND BENCH MARK
TEMPORARY BENCH MARKS, SHOWN HEREON AS Δ ARE:

TBM #1
PT. 1 PK NAIL
N 1288.09
E 943.82
EL. 91.44

TBM #2
PT. 2 PK NAIL
N 1355.38
E 890.78
EL. 91.60



JOB NO. 8910453 FILE NO. USRE/PRJ/RIVERSIDE/CIV/PP5C02.DGN

SCALE:	WARNING	DESIGNED	SUBMITTED
1"=10'	1/2	J. Gantney	Pardhe Namuduri
	IF THIS BAR DOES NOT MEASURE 1" THEN DRAWING IS NOT TO SCALE.	DRAWN	PROJECT ENGINEER
		R. Duarte	C-4471 5-23-94
REV	DATE	BY	DESCRIPTION

CHECKED	RECOMMENDED	DATE
CJH	Surendra Thakral	5-23-94
	MONTGOMERY WATSON	

MONTGOMERY WATSON
Pasadena, California

APPROVED	DATE

CITY OF RIVERSIDE	SHEET
PIERCE STREET PUMP STATION UPGRADE	C-2
HORIZONTAL CONTROL AND PAVING	OF 44 SHEETS

JOB NO. S-1636

INDEXED 1-31-05 4th