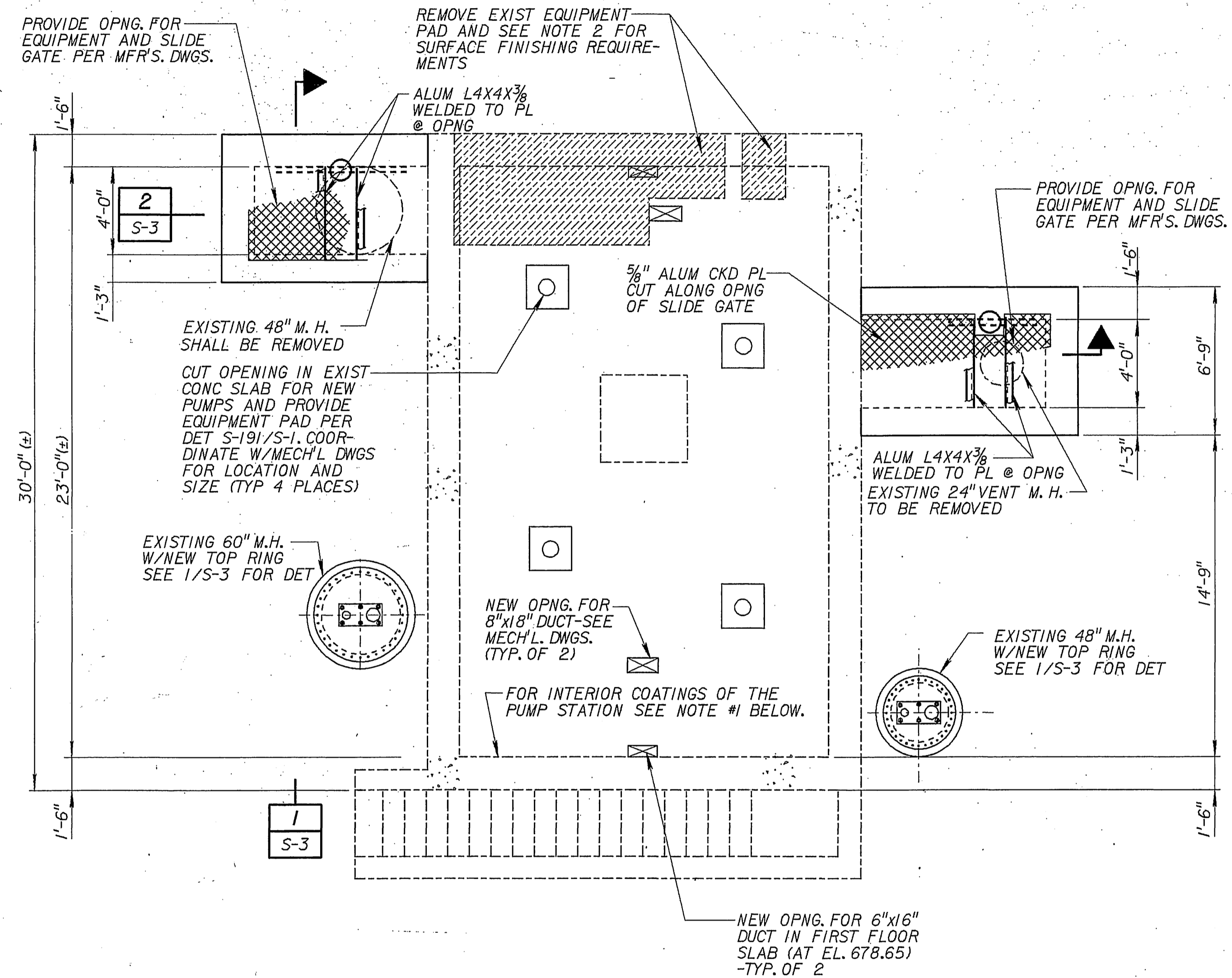


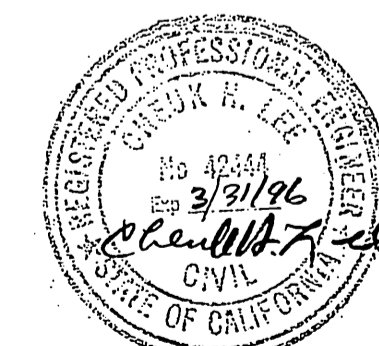
FOUNDATION PLAN
SCALE: 1/4" = 1'-0"

LEGEND:
 --- DENOTES EXISTING STRUCTURE, PIPE OR EQUIPMENT
 - - - DENOTES PRE-ENGINEERED BLDG. AND EQUIPMENT



TOP PLAN
SCALE: 1/4" = 1'-0"

- NOTE:**
- THE INTERIOR WALLS AND CEILINGS OF THE PUMP STATION SHALL BE SAND BLASTED TO BARE CONCRETE AND SEAL COATED. COATING SHALL BE TNEPEC SERIES 66 HI-BUILD EPOXOLINE; CLEAR FINISH; OR EQUAL. SURFACE PREPARATION AND COATING SHALL BE APPLIED ACCORDING TO THE MFR'S RECOMMENDATIONS
 - REMOVE EXISTING CONCRETE PADS ENTIRE PAD THICKNESS PLUS 1/4" MIN. INTO CONCRETE DECK. REMOVE ANY PROTRUDING REINFORCING FROM CONCRETE PAD AND BURN BACK 1" INTO DECK. ALL EXISTING REINFORCING FOR DECK TO REMAIN INTACT. SANDBLAST SURFACE TO 1/8" AMPLITUDE. SCRUB SIKATOP 122" INTO SSD SUBSTRATE AND IMMEDIATELY FACE SIKA OP 122 AGAINST EDGE OF REPAIRS AND FINISH. FOLLOW MFR'S RECOMMENDATIONS.



JOB NO.
S-1636

FILE No.
JOB No.

REV	DATE	BY	DESCRIPTION

SCALE:	AS SHOWN
WARNING	IF THIS BAR DOES NOT MEASURE 1" THEN DRAWING IS NOT TO SCALE.

DESIGNED	<i>[Signature]</i>
DRAWN	<i>[Signature]</i>
CHECKED	<i>[Signature]</i>

SUBMITTED	<i>[Signature]</i>	C-49471	5-23-94
PROJECT ENGINEER	R. C. E. NO.	DATE	
RECOMMENDED	<i>[Signature]</i>	C-44599	5-23-94
MONTGOMERY WATSON	R. C. E. NO.	DATE	



MONTGOMERY WATSON

Pasadena, California

APPROVED	DATE
SUPERVISING CIVIL ENGINEER	DATE
APPROVED	DATE
WATER SYSTEM MANAGER	DATE

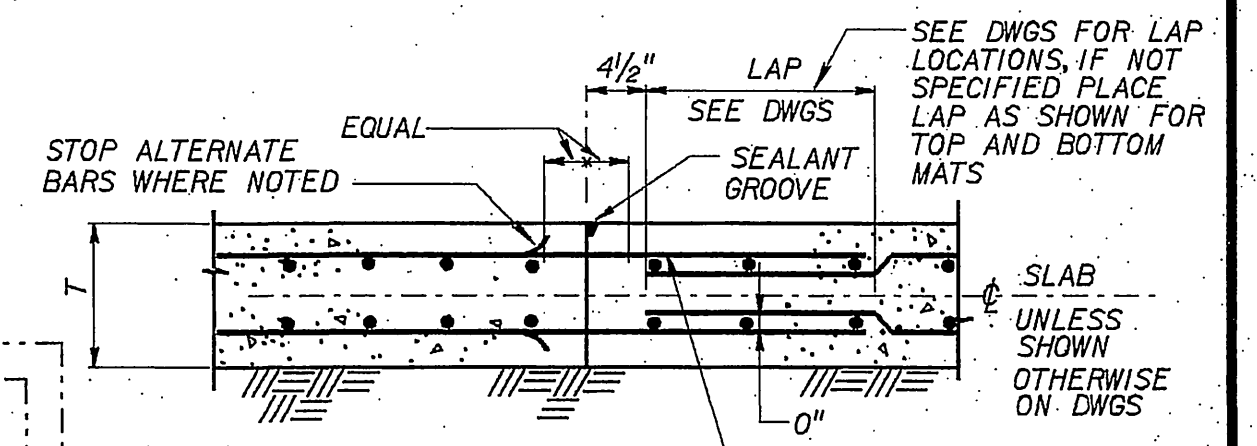
CITY OF RIVERSIDE
PIERCE STREET PUMP STATION UPGRADE
PUMP STATION - PLANS

SHEET	S-2
OF 44 SHEETS	

INDEXED 1-31-05 lfh

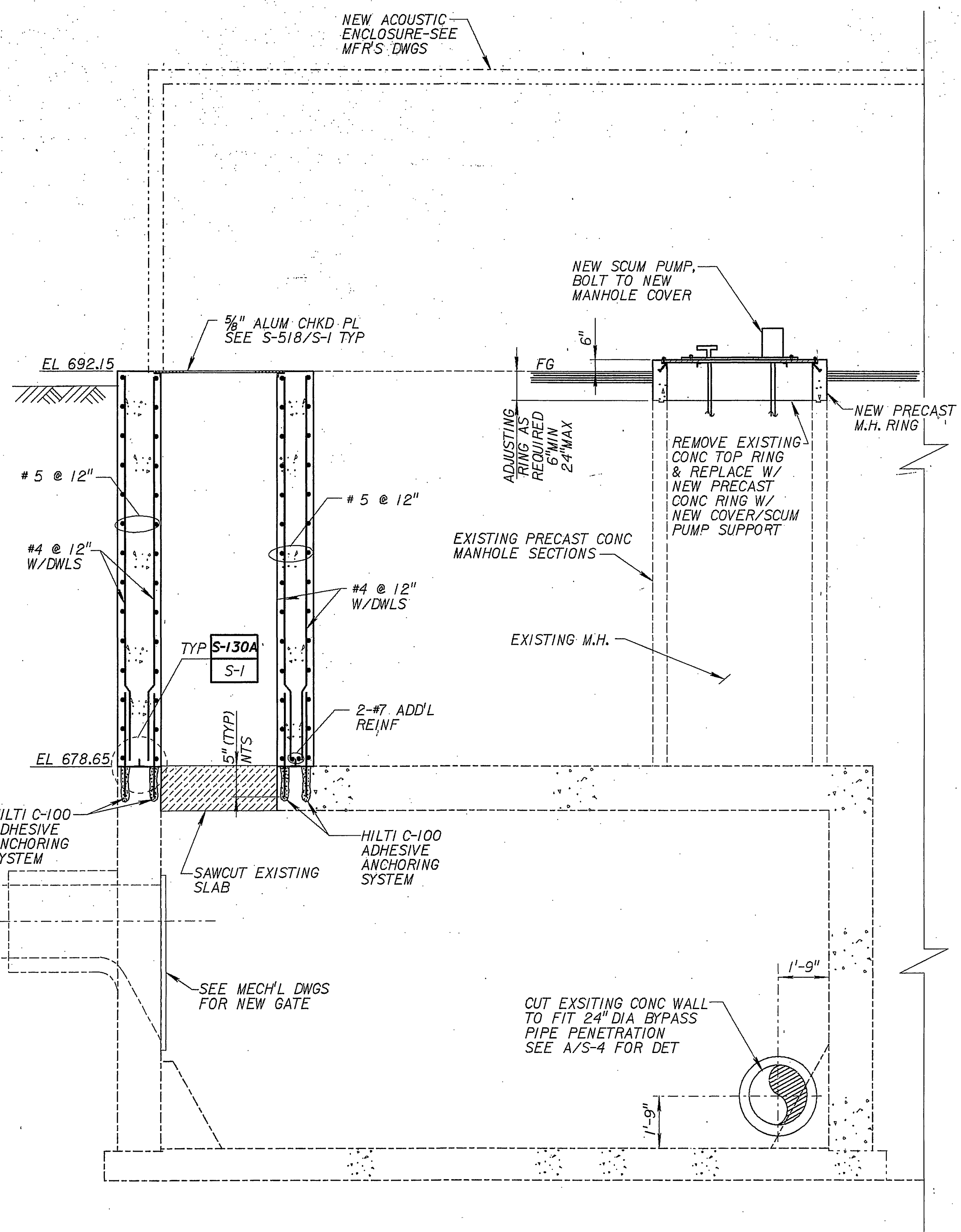
NOTES:

- CONTR TO SUBMIT MANHOLE COVER DESIGNED BY A REGISTERED CIVIL ENGINEER IN THE STATE OF CALIFORNIA TO ACCOMMODATE VIBRATIONS INDUCED BY THE OPERATING SCUM PUMP AND THE FOLLOWING LOADING CONDITIONS:
 - 250% OF THE DEAD LOAD OF THE SCUM SUMP AND THE WEIGHT OF THE MANHOLE COVER.
 - 150 PSF LIVE LOAD.
 - MAXIMUM DEFLECTION 1/4".
- ALL MATERIAL USED FOR THE MANHOLE COVER SHALL BE ASTM A316 STAINLESS STEEL.

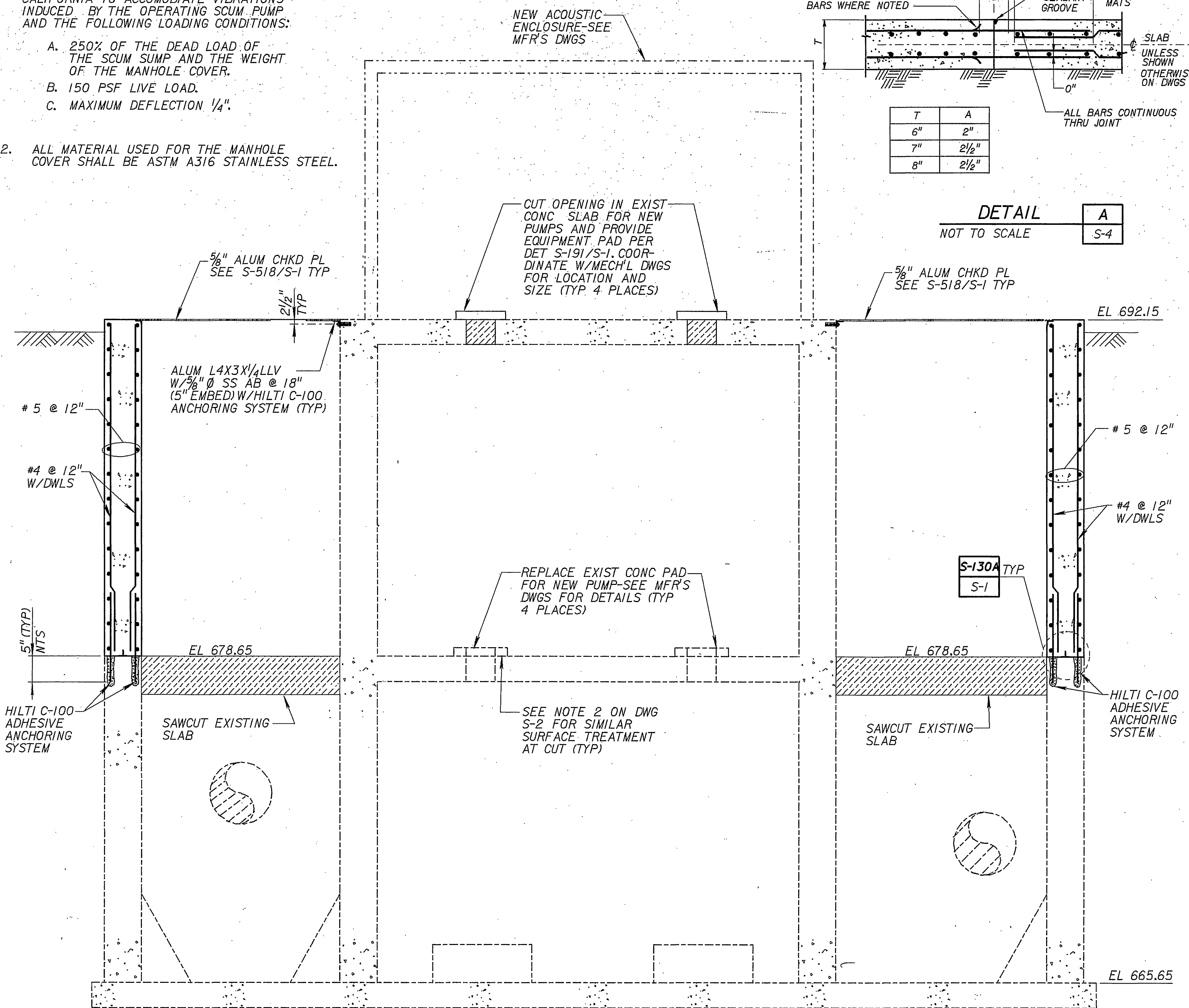


T	A
6"	2"
7"	2 1/2"
8"	2 1/2"

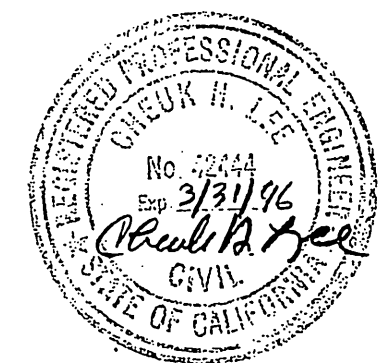
DETAIL A
NOT TO SCALE



SECTION 1
SCALE: 3/8" = 1'-0"



SECTION 2
SCALE: 3/8" = 1'-0"



JOB NO.
S-1636

DESIGNED: <i>[Signature]</i>	SUBMITTED: <i>[Signature]</i> 6-49471 S-23-94
DRAWN: <i>[Signature]</i>	PROJECT ENGINEER: R. C. E. NO. DATE
CHECKED: <i>[Signature]</i>	RECOMMENDED: <i>[Signature]</i> c-40599 S-23-94
	MONTGOMERY WATSON R. C. E. NO. DATE

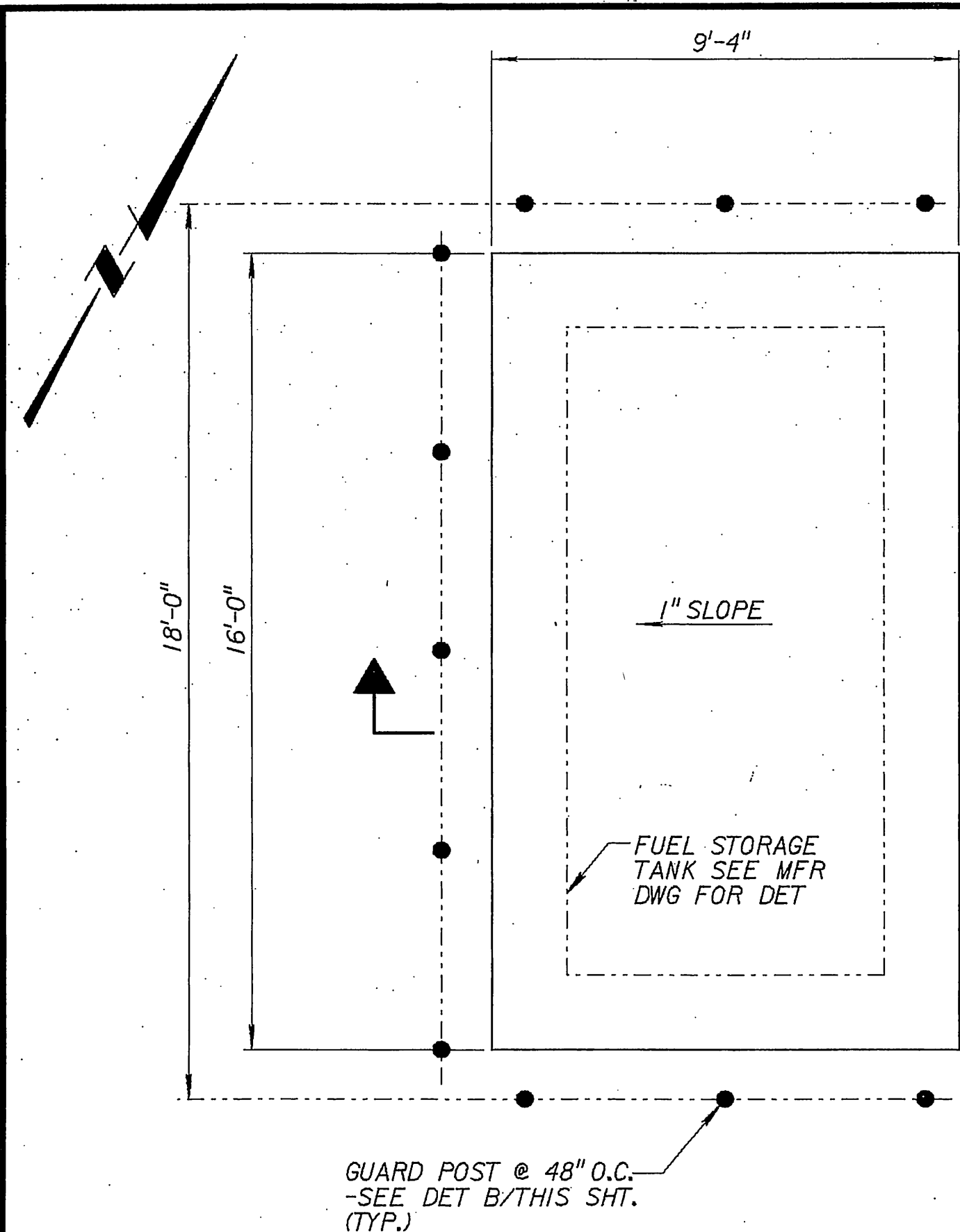
MONTGOMERY WATSON
Pasadena, California

APPROVED	DATE
SUPERVISING CIVIL ENGINEER	DATE
APPROVED	DATE
WATER SYSTEM MANAGER	DATE

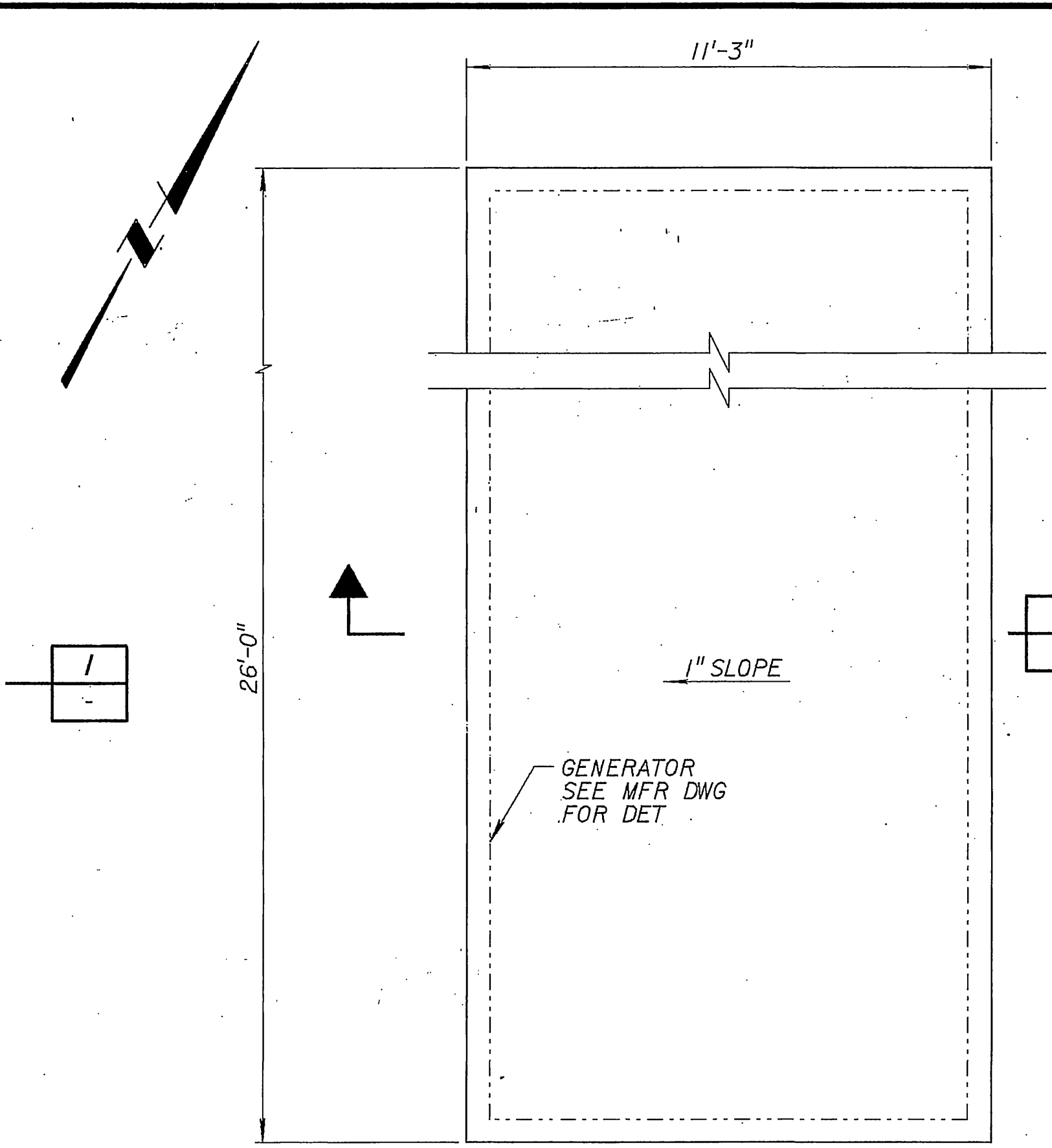
CITY OF RIVERSIDE
PIERCE STREET PUMP STATION UPGRADE
PUMP STATION - SECTIONS

SHEET
S-3
OF 44 SHEETS

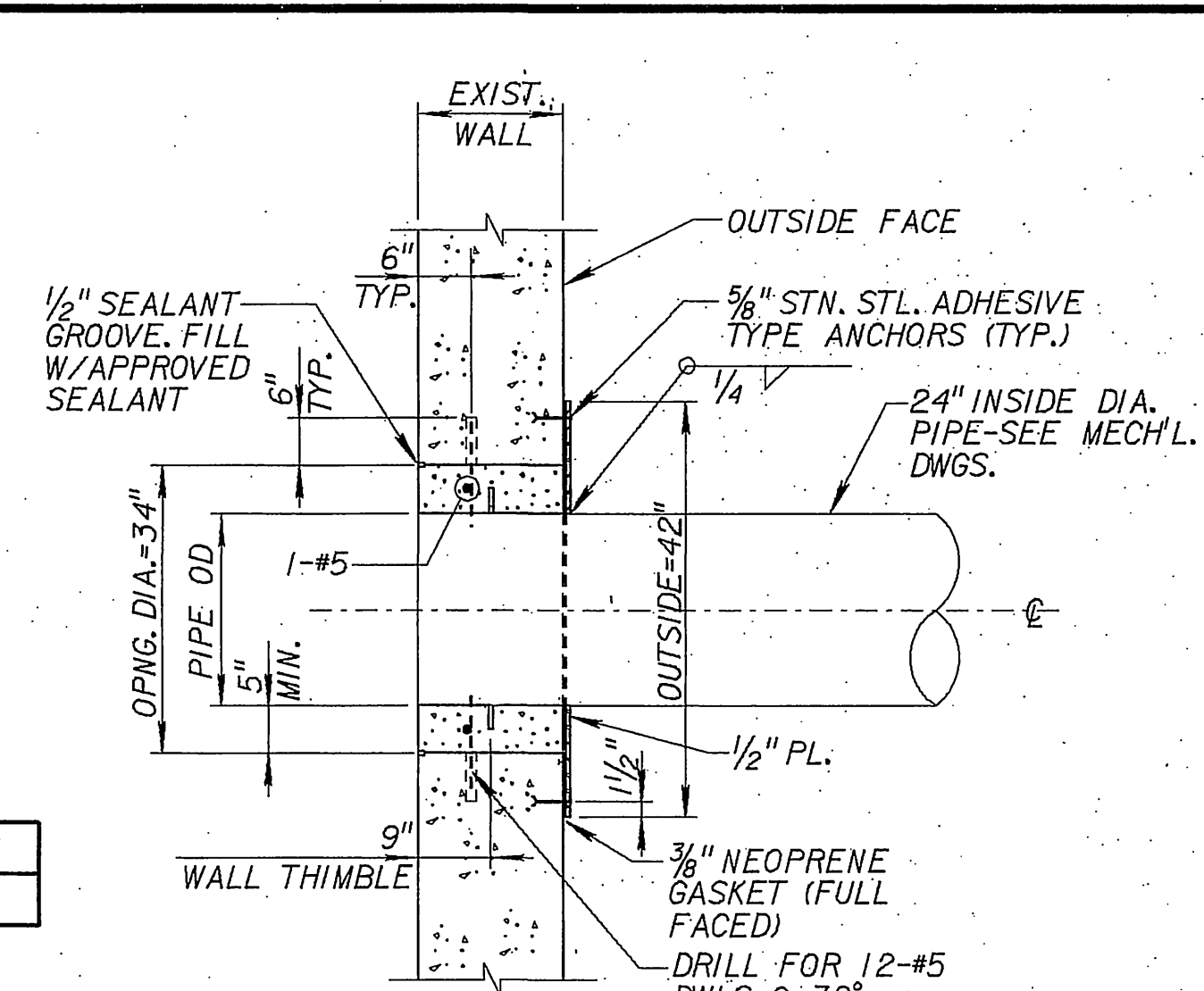
INDEXED 1-31-05 lft



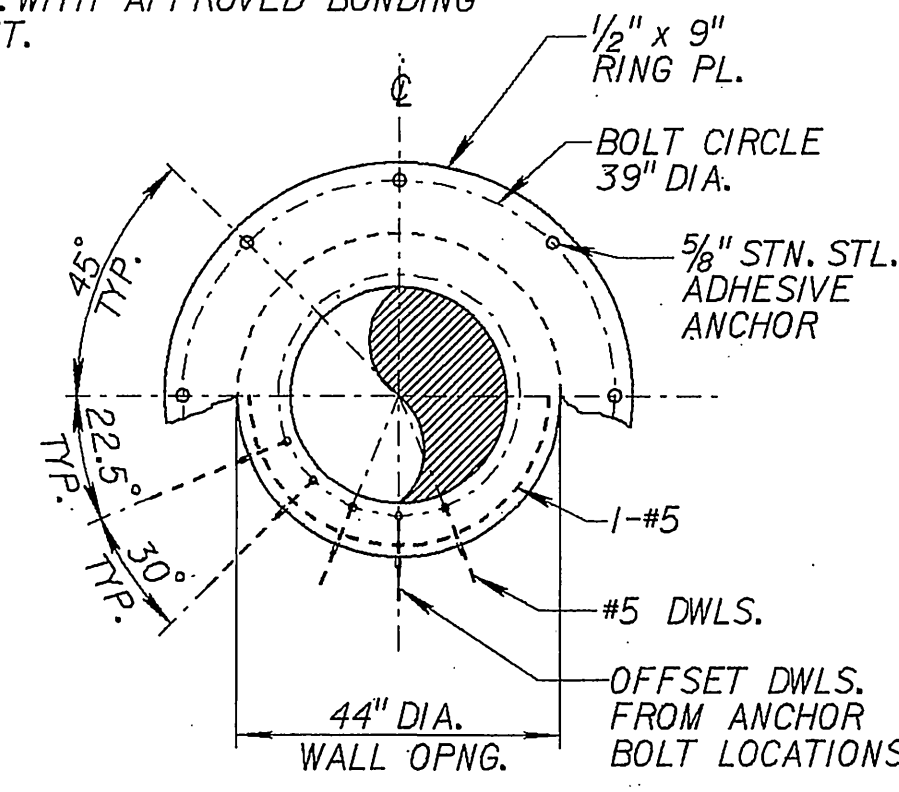
FUEL STORAGE TANK - FOUNDATION PLAN
SCALE: 3/8" = 1'-0"



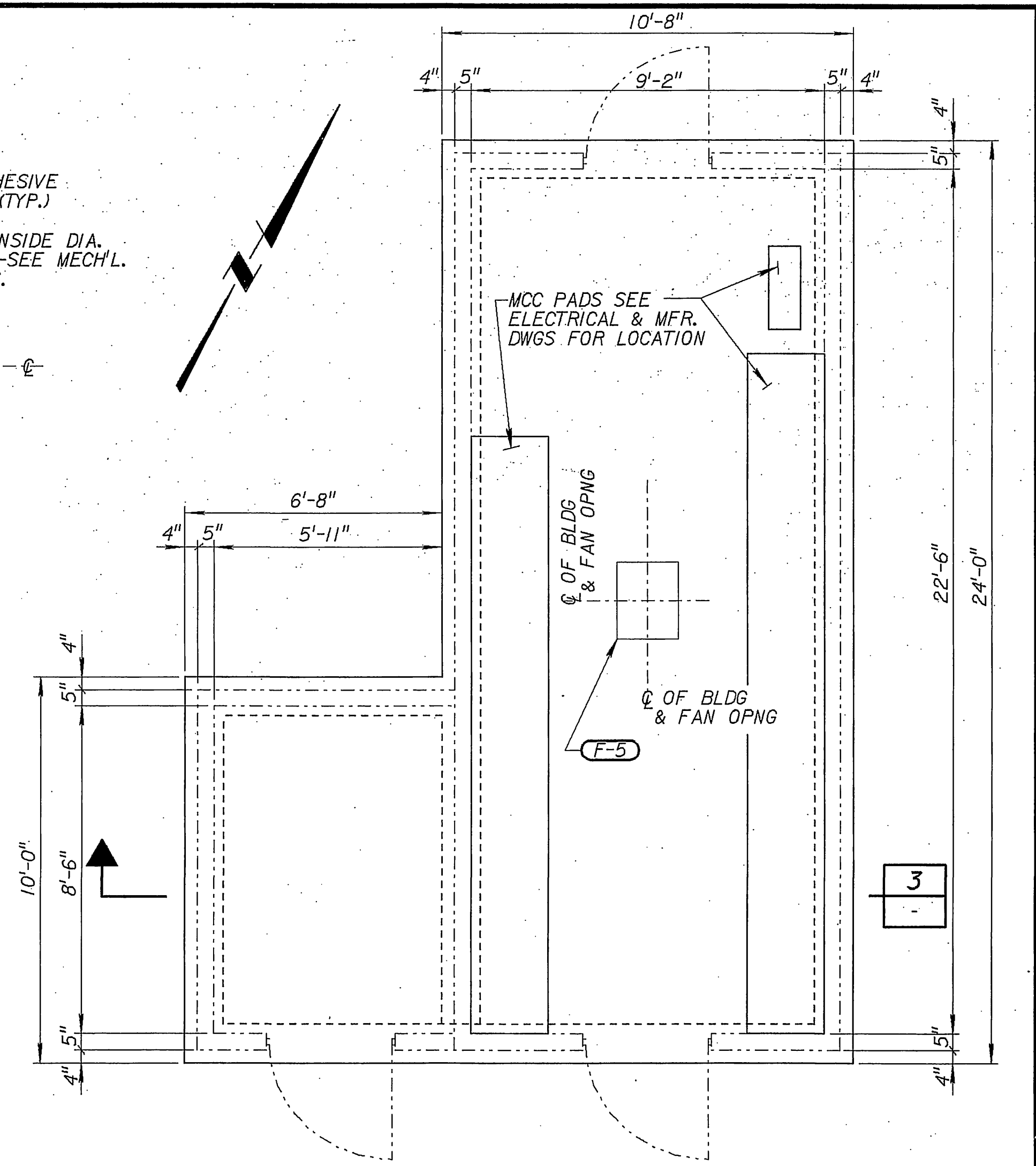
NEW GENERATOR FOUNDATION PLAN
SCALE: 3/8" = 1'-0"



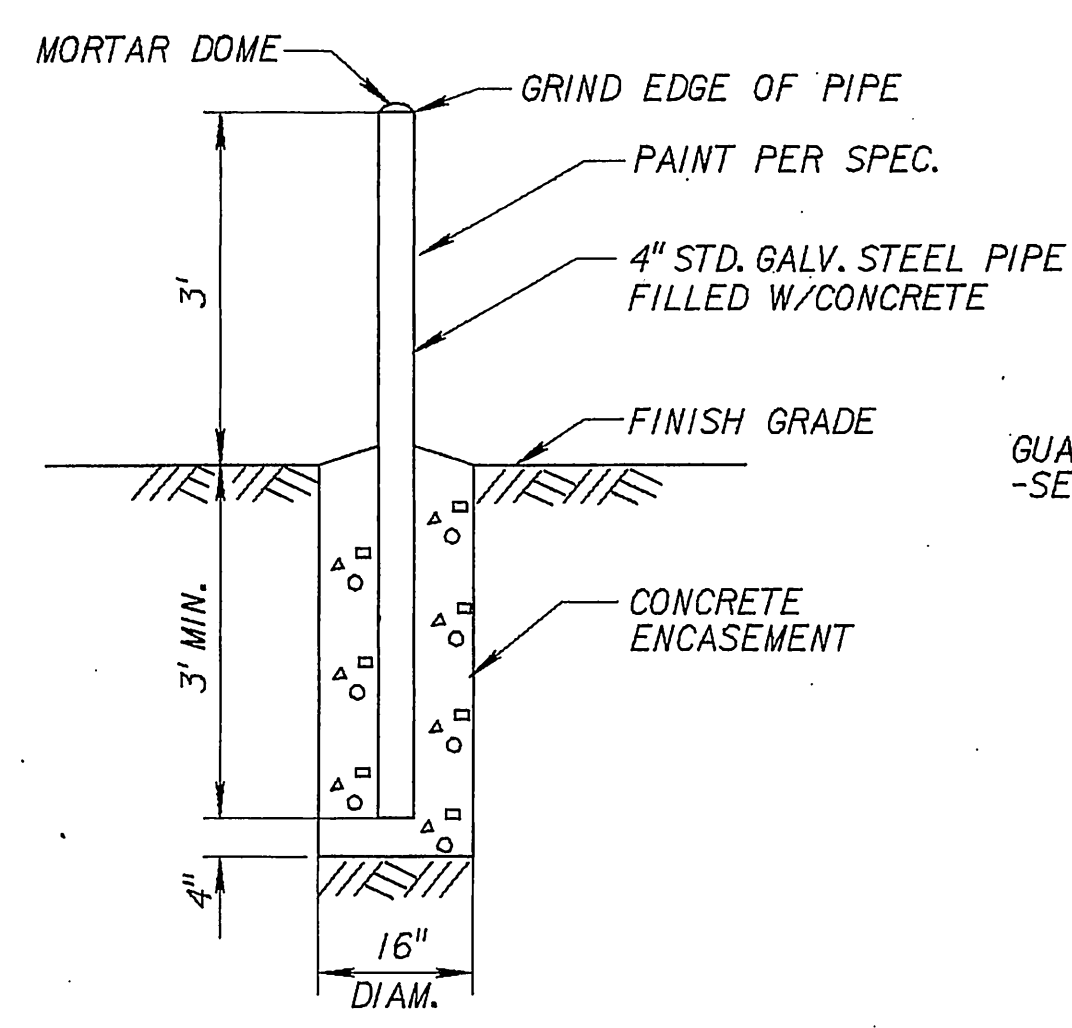
NOTE:
1. THE CONTACT SURFACES SHALL BE SAND BLASTED BEFORE NEW CONCRETE IS PLACED. NEW CONC. SHALL BE BONDED TO EXISTING CONC. WITH APPROVED BONDING AGENT.



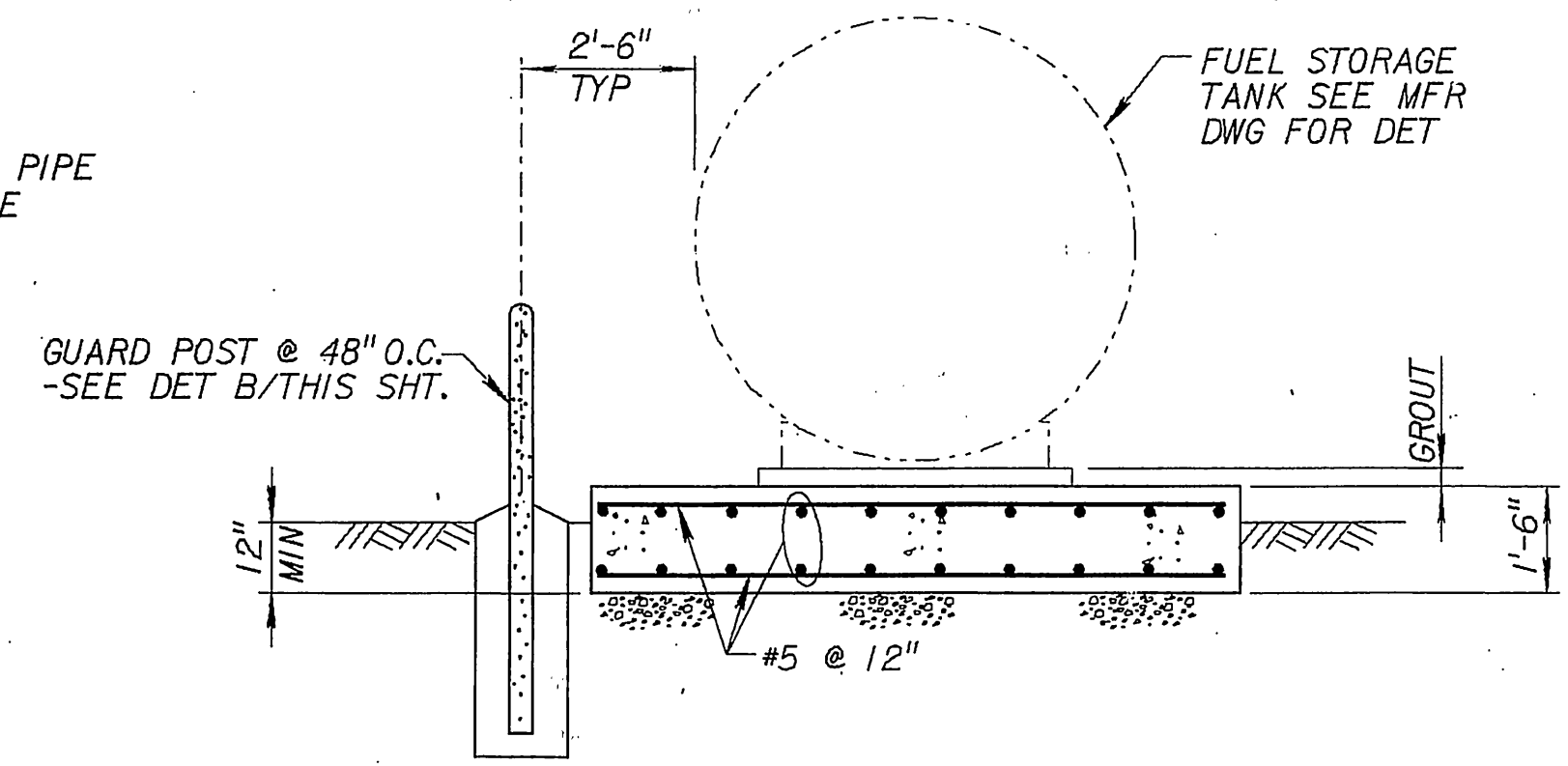
DETAIL A
NOT TO SCALE



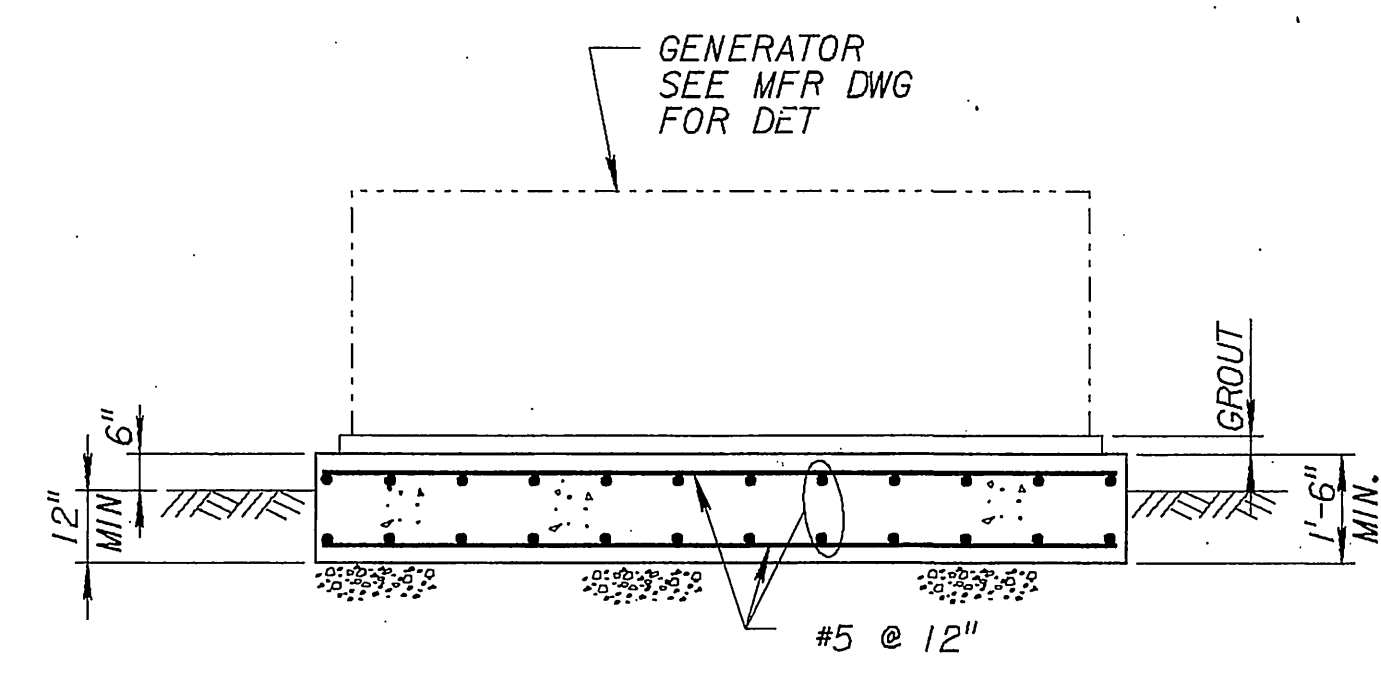
MCC PRE-ENGINEERED BLDG FLOOR PLAN
SCALE: 3/8" = 1'-0"



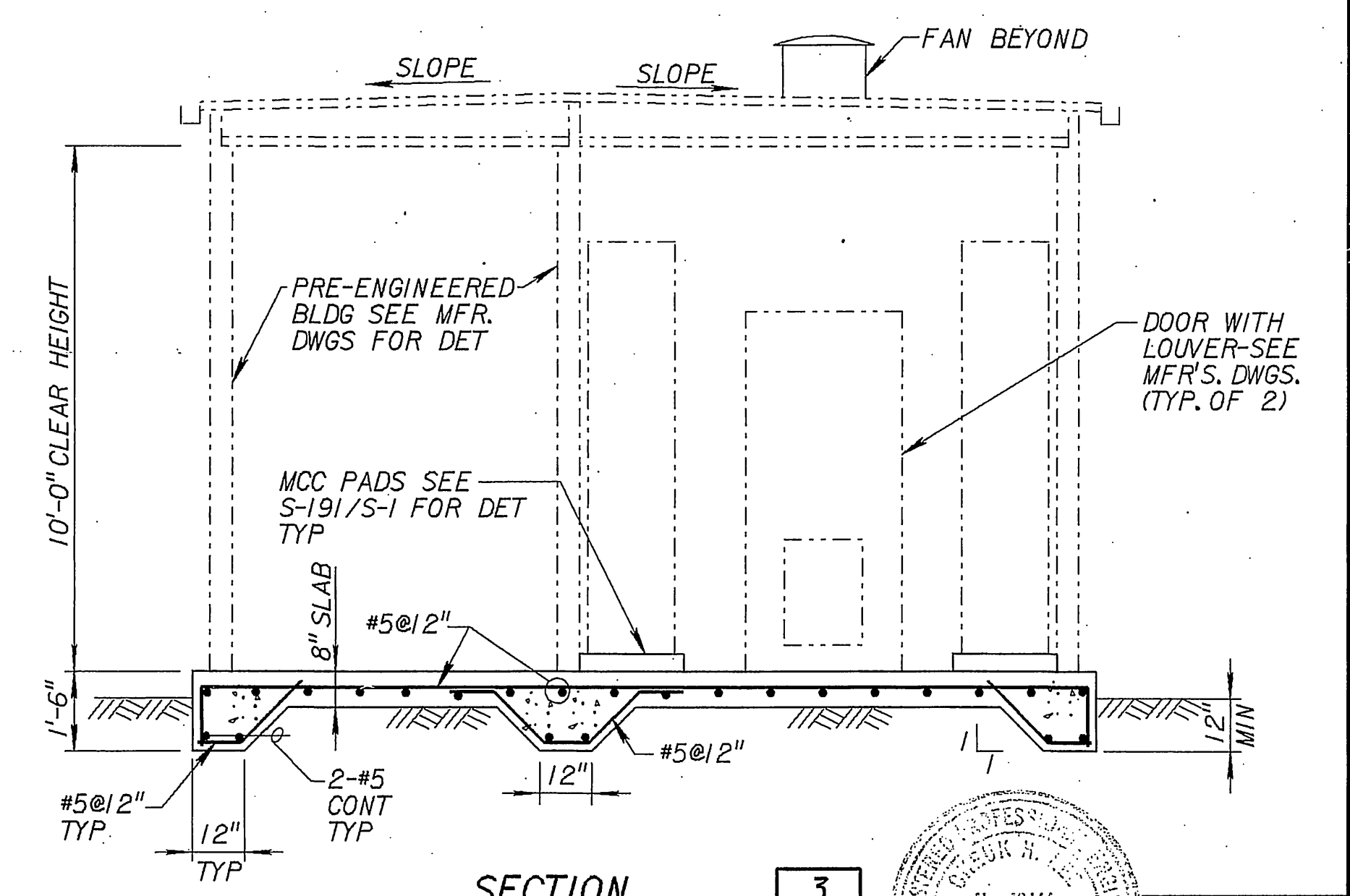
DETAIL B
NOT TO SCALE



SECTION 1
SCALE: 3/8" = 1'-0"



SECTION 2
SCALE: 3/8" = 1'-0"



SECTION 3
SCALE: 3/8" = 1'-0"

FILE No. _____
JOB No. _____

REV	DATE	BY	DESCRIPTION

SCALE: AS SHOWN

WARNING
0 1/2
IF THIS BAR DOES NOT MEASURE 1" THEN DRAWING IS NOT TO SCALE.

DESIGNED: <i>[Signature]</i>	SUBMITTED: <i>[Signature]</i>	C-49471	5-23-94
DRAWN: <i>[Signature]</i>	PROJECT ENGINEER: <i>[Signature]</i>	R. C. E. NO.	DATE
CHECKED: <i>[Signature]</i>	RECOMMENDED: <i>[Signature]</i>	e-44599	5-23-94
	MONTGOMERY WATSON	R. C. E. NO.	DATE

MONTGOMERY WATSON
Pasadena, California

APPROVED	DATE
SUPERVISING CIVIL ENGINEER	DATE
APPROVED	DATE
WATER SYSTEM MANAGER	DATE

CITY OF RIVERSIDE	
PIERCE STREET PUMP STATION UPGRADE	
MISCELLANEOUS STRUCTURES-PLANS&SECTIONS	

JOB NO.	S-1636
SHEET	S-4
OF 44 SHEETS	

INDEXED 1-31-05 Lft