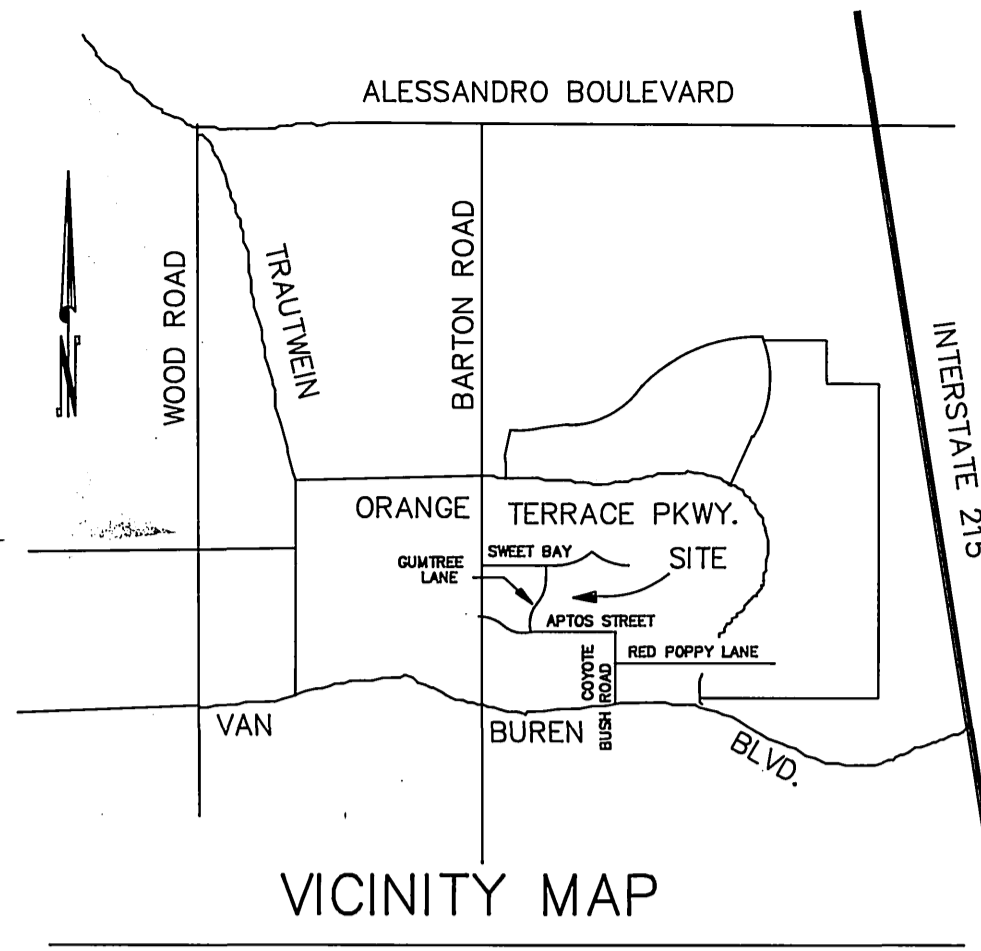


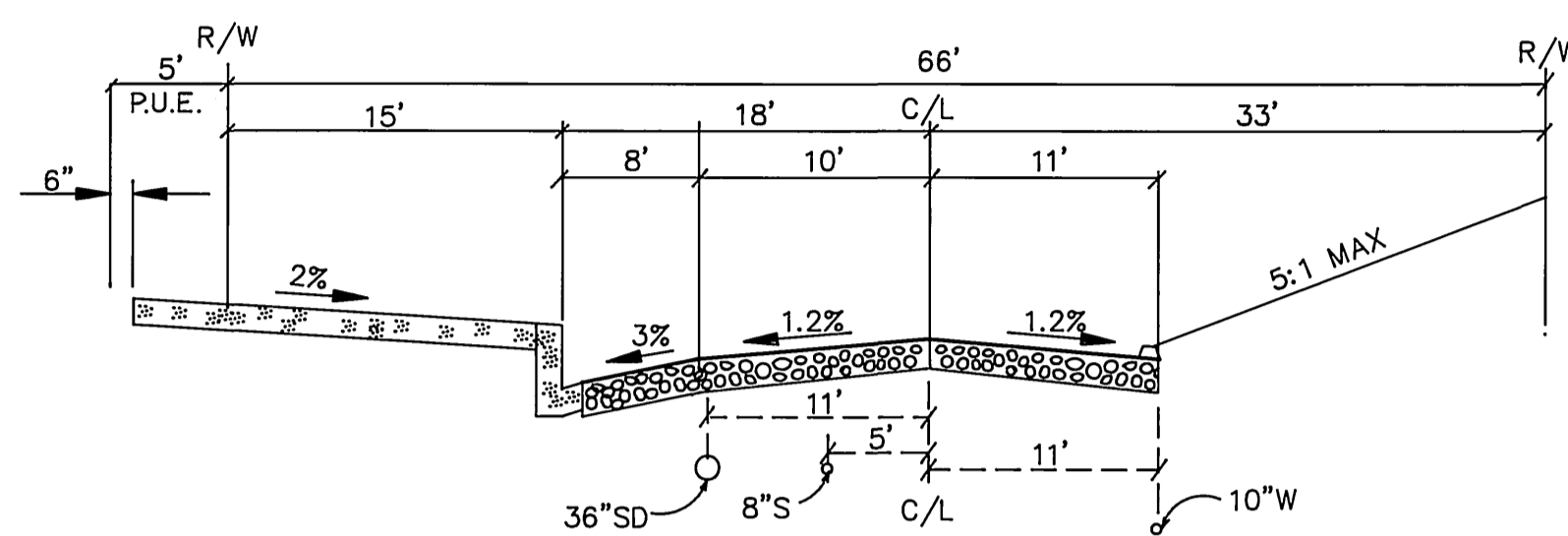
ORANGECREST II ELEMENTARY SCHOOL SEWER IMPROVEMENT PLANS



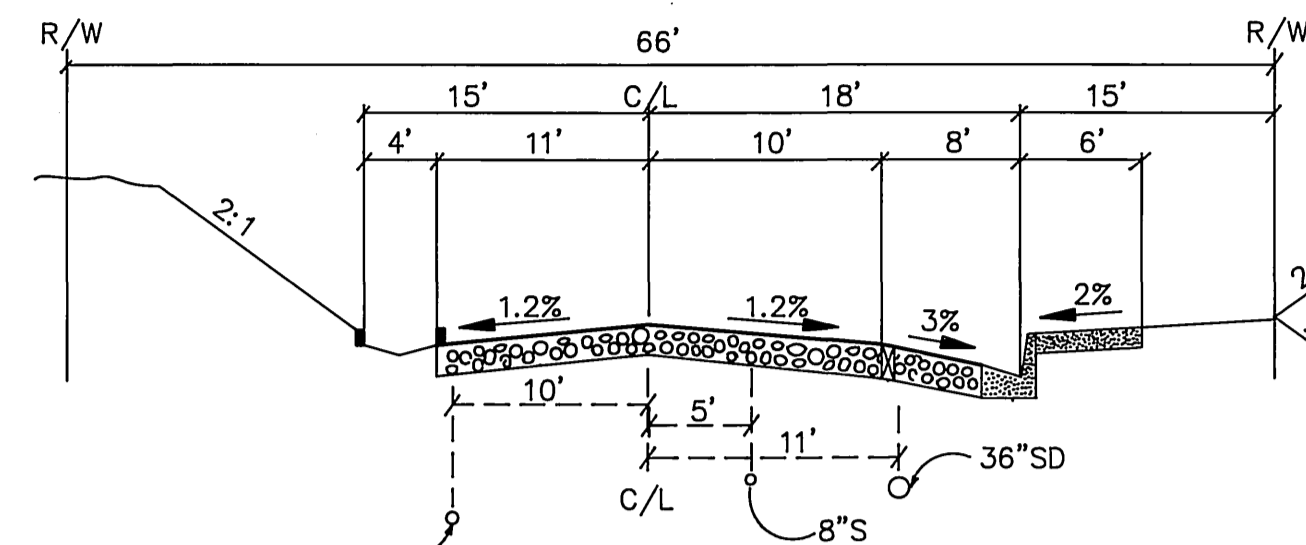
N.T.S.
THOMAS GUIDE PAGE 24 GRID C5
T.3S., R.4W., S.B.M.

ADDITIONAL BENCHMARKS

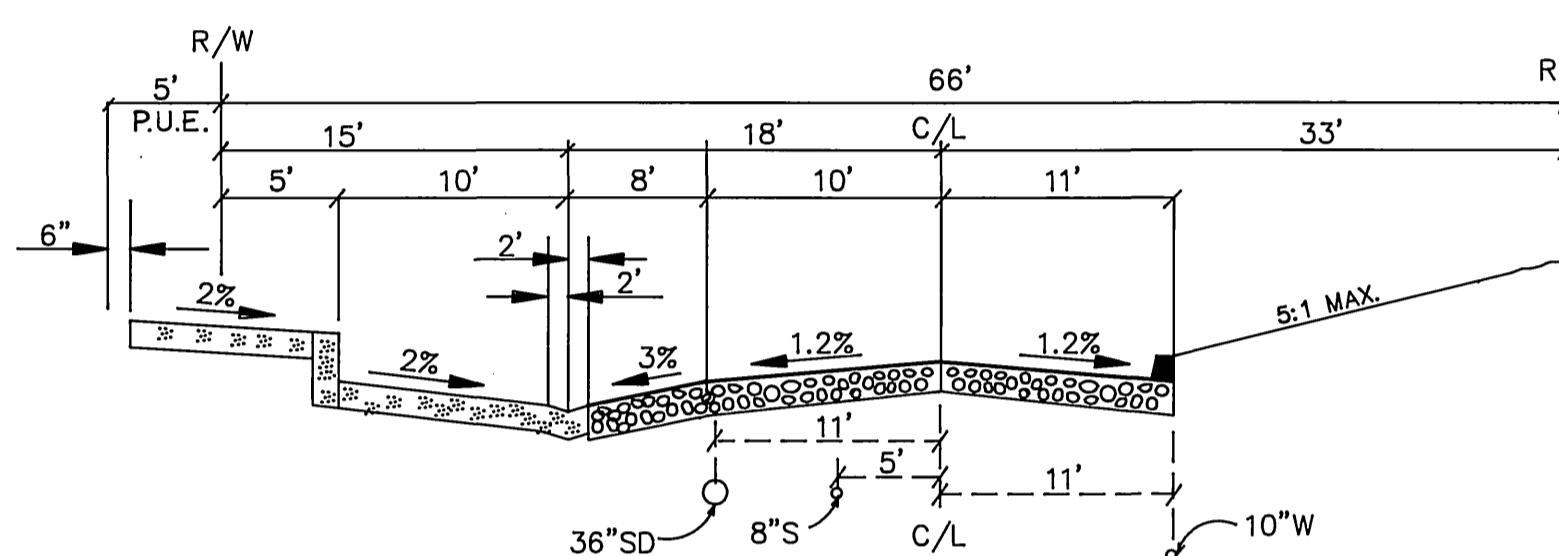
- TBM- CHISEL MARK ON ECR, NW RETURN OF MESQUITE CYN. ROAD AND COYOTE BUSH ROAD
TOP OF CURB= 1755.84'
- TBM- CHISEL MARK AT END CURB, N'LY SIDE, VAN BUREN BLVD. AT E'LY TRACT BOUNDARY
TOP OF CURB= 1734.78'



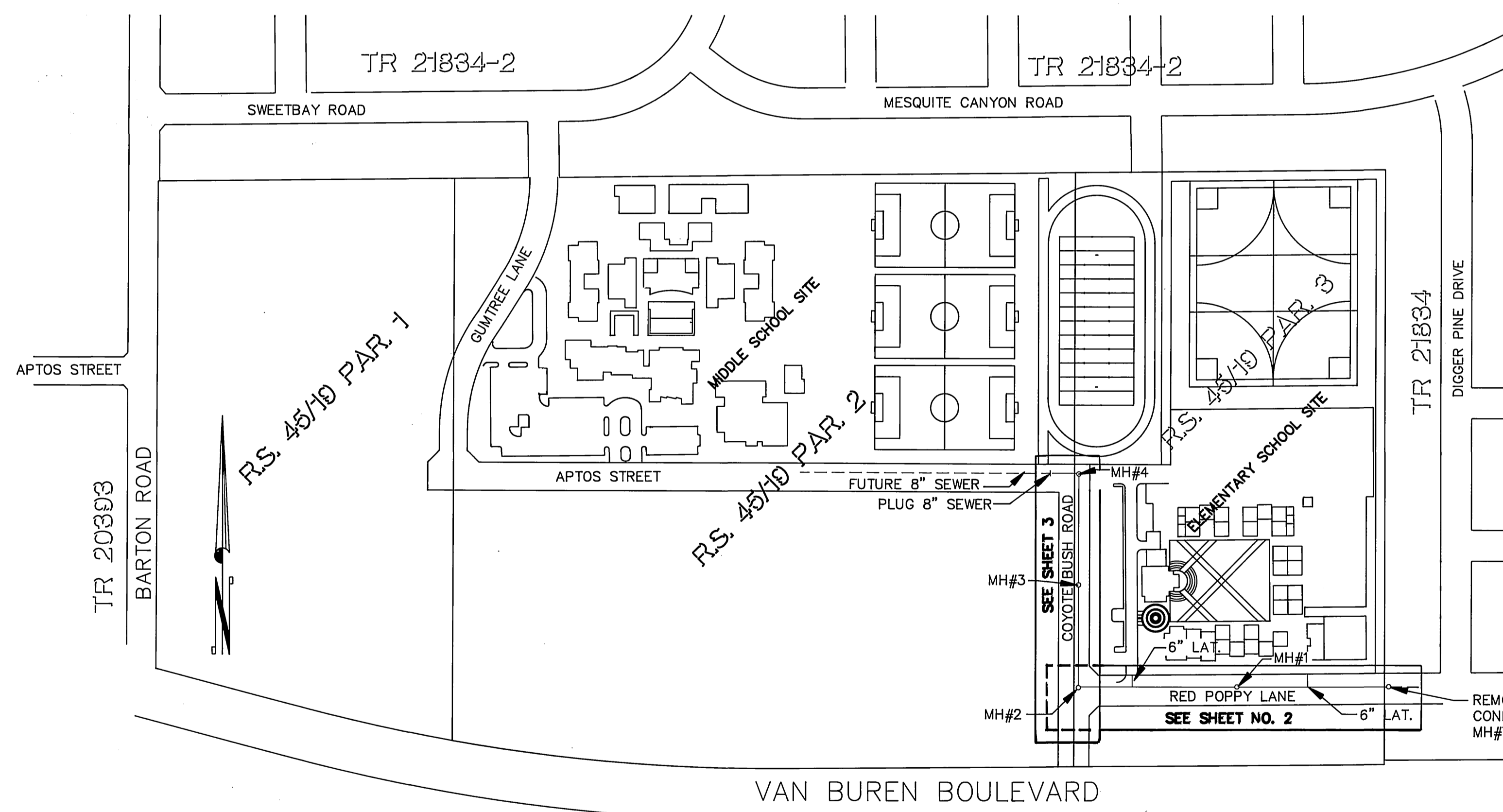
RED POPPY LANE
TYPICAL SECTION
NOT TO SCALE



COYOTE BUSH ROAD
TYPICAL SECTION
NOT TO SCALE



CAR DROP OFF
RED POPPY LANE
TYPICAL SECTION
NOT TO SCALE



INDEX MAP
SCALE 1" = 200'

LEGEND:

- PROPOSED 8" SEWER LINE
- - - EXISTING 8" SEWER LINE
- PROPOSED MANHOLE
- EXISTING MANHOLE
- ⊥ PLUGGED END OF 8" SEWER
- WYE AND LATERAL

GENERAL SEWER NOTES

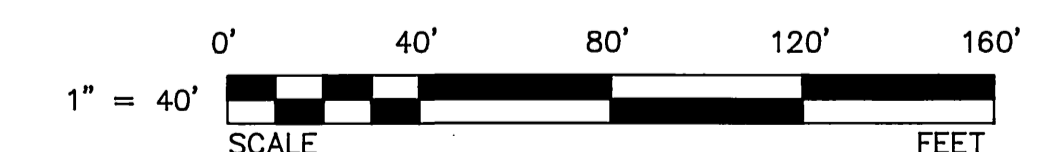
- The private engineer signing these plans is responsible for assuring the accuracy and acceptability of the work hereon. In the event of discrepancies arising during construction, the private engineer shall be responsible for determining an acceptable solution and revising the plans for approval by the City.
- It shall be the responsibility of the contractor to clear the right of way in accordance with the provisions of law as it affects each utility including irrigation lines, gas lines and appurtenances and at no cost to the City.
- Construction shall be in accordance with the City of Riverside Dept. of Public Works, Standard Drawings, Standard Drawing No. 10 and the Standard Specifications for Public Works Construction, current edition.
- Location of laterals to be determined in the field at the direction of the owner. Avoid conflict with proposed and/or existing facilities.
- Contractor is to verify existing sewer elevation prior to construction.
- The sewer contractor shall adjust manholes to final grade after paving is completed.
- No finished floor elevation shall be less than 4' above the sewer flow line at the point of connection without having a proper backwater valve installed in the lateral.
- A plug shall be installed and will remain in place where the new sewer connects with the existing sewer until the new sewer is accepted by the City of Riverside.
- All manholes to be City of Riverside Standard No. 500.
- All cleanouts to be Riverside City Std. No. 560.
- All flagged elevations shall be staked in the field by the private engineer.
- The contractor shall call in a locations request to UNDERGROUND SERVICE ALERT (USA), Phone No. 1-800-422-4133, two working days before digging. No construction permit will be issued by the Public Works Department involving excavation for underground facilities unless the applicant has been provided an Inquiry Identification Number by U.S.A.
- The developer shall be responsible for preserving or re-establishing and referencing survey monuments destroyed, disturbed or buried as a result of construction shown hereon.
- Trench backfill to be per City of Riverside Std. No. 453.
- Quantities shown are for information only and the City of Riverside is not responsible for their accuracy.
- Notice to contractor. The existence and location of any underground utility pipes or structures shown on these plans were obtained by a search of the available records. To the best of our knowledge there are no existing utilities except as shown on these plans. The contractor is required to take precautionary measures to protect the utility lines shown and any other lines not of record or not shown on these plans.

QUANTITY DISCLAIMER

QUANTITIES SHOWN HEREON ARE PROVIDED FOR BONDING PURPOSES ONLY. THE CONTRACTOR SHALL BE RESPONSIBLE FOR VERIFYING ALL QUANTITIES PRIOR TO CONSTRUCTION.

CONSTRUCTION NOTES ESTIMATE

- CONSTRUCT SEWER MANHOLE PER CITY OF RIVERSIDE STD. DWG. NO. 500. 4 EA
- CONSTRUCT 8" P.V.C. SEWERLINE (S.D.R. - 35) 1,159 LF
- REMOVE EXISTING PLUG AND CONNECT TO EXISTING MANHOLE 1 EA
- PLUG 8" PVC SEWER 1 EA
- CONSTRUCT 6" SEWER CLEANOUT PER CITY OF RIVERSIDE STD. DWG. NO. 560. 2 EA
- CONSTRUCT 6" PVC (SDR-35) SEWER LATERAL PER CITY OF RIVERSIDE STD. DWG. NO. 562. 56 LF



REVIEWED BY:
WESTERN MUNICIPAL WATER DISTRICT
for Non-Interference compliance

SHEET 3 THROUGH 3
RCE 21043
FOR S.W. APP-1
ASSOCIATE ENGINEER RCE 48109

DATE:

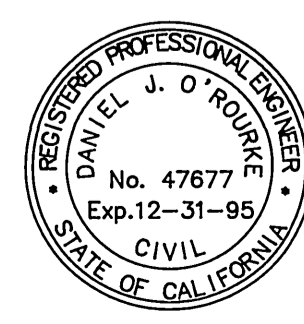
INDEX MAP

SCALE 1" = 200'

Underground Service Alert
Call: TOLL FREE
1-800-422-4133
TWO WORKING DAYS BEFORE YOU DIG

PRIVATE ENGINEERING NOTE

CONSTRUCTION CONTRACTOR AGREES THAT IN ACCORDANCE WITH GENERALLY ACCEPTED CONSTRUCTION PRACTICES, CONSTRUCTION CONTRACTOR WILL BE REQUIRED TO ASSUME SOLE AND COMPLETE RESPONSIBILITY FOR JOB SITE CONDITIONS DURING THE COURSE OF CONSTRUCTION OF THE PROJECT, INCLUDING SAFETY OF ALL PERSONS AND PROPERTY. THAT THIS REQUIREMENT SHALL BE MADE TO APPLY CONTINUOUSLY AND NOT BE LIMITED TO NORMAL WORKING HOURS, AND CONSTRUCTION CONTRACTOR FURTHER AGREES TO DEFEND, INDEMNIFY AND HOLD DESIGN PROFESSIONAL HARMLESS FROM ANY AND ALL LIABILITY, REAL OR ALLEGED, IN CONNECTION WITH THE PERFORMANCE OF WORK ON THIS PROJECT, EXCEPTING LIABILITY ARISING FROM THE SOLE NEGLIGENCE OF DESIGN PROFESSIONAL.



PREPARED UNDER THE DIRECTION OF:

Daniel J. O'Rourke
REGISTERED CIVIL ENGINEER No. 47677
EXPIRATION DATE: 12-31-95 DATE: 11-5-93

APPROVED BY:

DATE: OCT. 30, 1992

J.F. Davidson Associates, Inc.
ENGINEERING PLANNING SURVEYING ARCHITECTURE LANDSCAPE ARCHITECTURE
3880 Lemon Street Suite 300 P.O. Box 493 Riverside, CA 92502 (909) 686-0844 FAX 909-686-5954
3550 Shelby Street Suite 100 P.O. Box 1287 Palm Desert, CA 92260 (909) 944-2881 FAX 919-340-0529
75-160 Sheryl Drive Suite 115 P.O. Box 340 Temecula, CA 92290 (909) 676-7710 FAX 909-699-1981

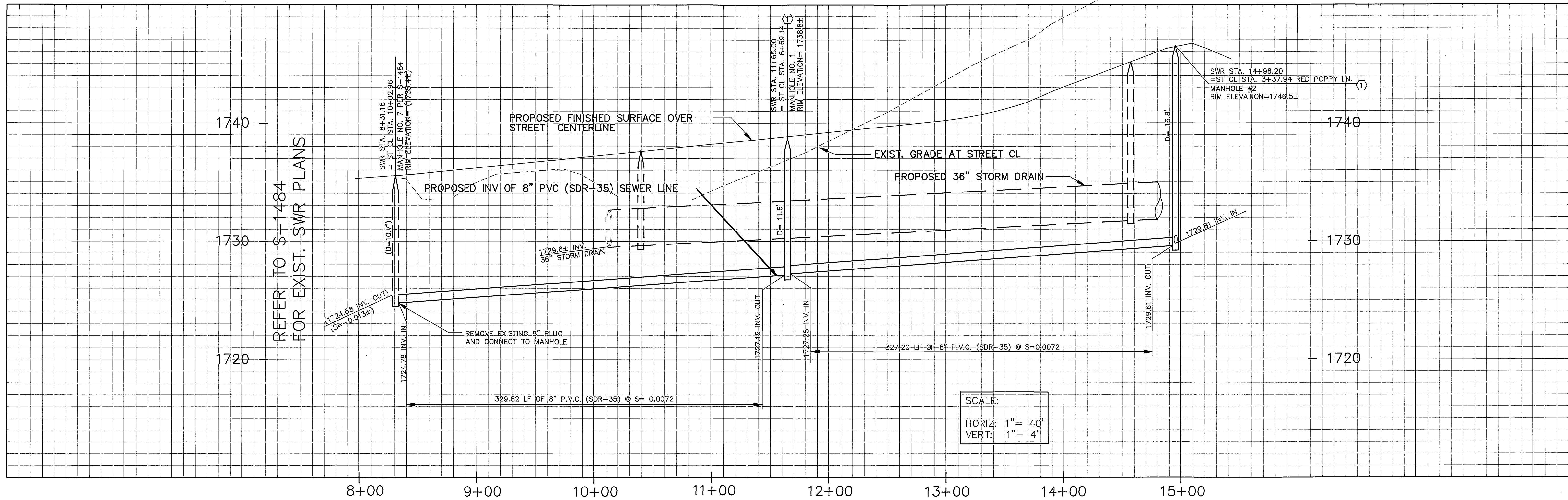
SCALE 1" = 40'
DATE OCT. 30, 1992
BENCHMARK: V.B. 10-64 ELEV: 1700.670
BRASS DISK FLUSH & MARKED V.B. 10-64, 0.6 MI E ON VAN BUREN BLVD FROM INT VAN BUREN & WOOD RD 205' N OF VAN BUREN AT N.E. SIDE OF GRANITE BOULDERS ON TOP OF 3'X15'X18' BOULDER.

MARK REVISIONS APPR. DATE
DESIGNED BY D.J.O. DRAWN BY S.L.C. CHECKED BY G.P.

CITY OF RIVERSIDE
PUBLIC WORKS DEPARTMENT
APPROVED BY: [Signature] DATE: 3/14/94
TRAFFIC DIVISION
CHIEF P.W. ENGINEER: [Signature] DATE: 3/15/94

CITY OF RIVERSIDE
ORANGECREST II ELEMENTARY SCHOOL
TITLE SHEET
SEWER IMPROVEMENT PLANS
FOR R.U.S.D. (H.M.C.) W.O. 9112545

SHEET NO. 1
C3.1
OF 3 SHITS
FILE NO. S-1654



REFER TO S-1484
FOR EXIST. SWR PLANS

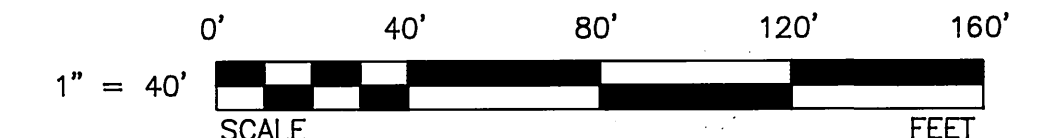
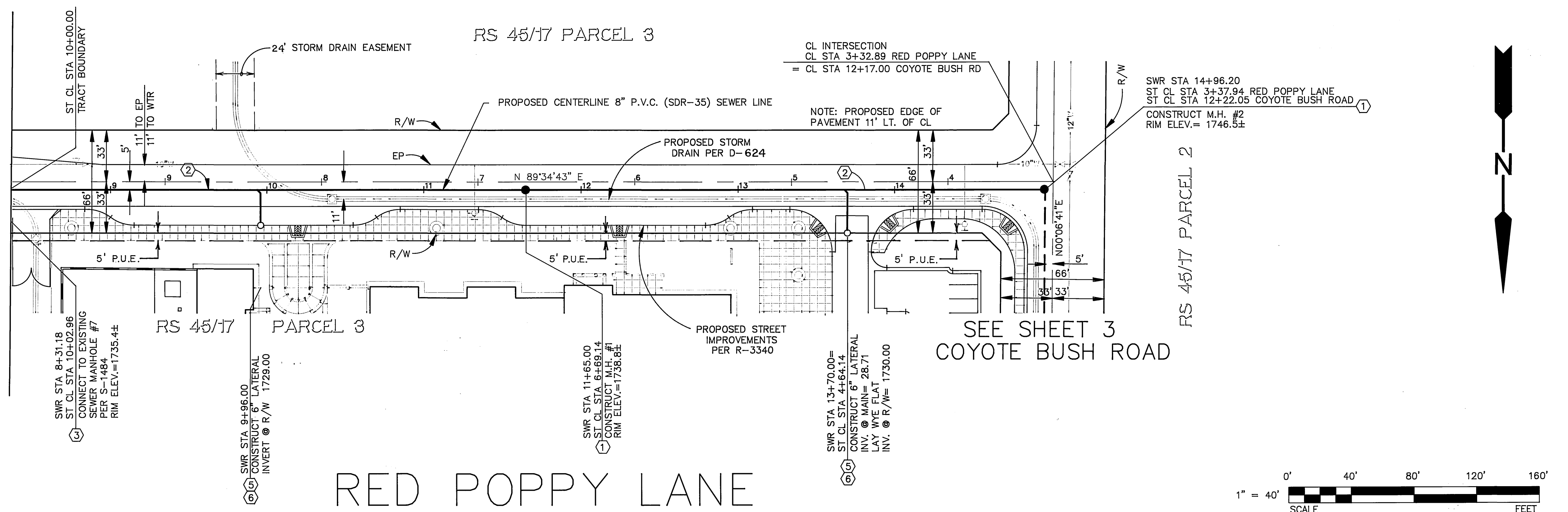
SCALE:
HORIZ: 1" = 40'
VERT: 1" = 4'

CONSTRUCTION NOTES:

- ① CONSTRUCT SEWER MANHOLE PER CITY OF RIVERSIDE STD. DWG. NO. 500.
- ② CONSTRUCT 8" P.V.C. SEWERLINE (SDR-35).
- ③ REMOVE EXISTING PLUG AND CONNECT TO EXISTING MANHOLE.
- ⑤ CONSTRUCT 6" SEWER CLEANOUT PER CITY OF RIVERSIDE STD. DWG. NO. 560.
- ⑥ CONSTRUCT 6" PVC (SDR-35) SEWER LATERAL PER CITY OF RIVERSIDE STD. DWG. NO. 562.

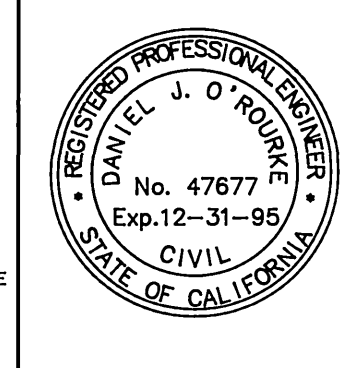
REFER TO S-1484
FOR EXIST. SWR PLANS

TRACT 21834 LOT 62 TR 21834 LOT 61



Underground Service Alert
Call: TOLL FREE
1-800
422-4133
TWO WORKING DAYS BEFORE YOU DIG

PRIVATE ENGINEERING NOTE
CONSTRUCTION CONTRACTOR AGREES THAT IN ACCORDANCE WITH GENERALLY ACCEPTED CONSTRUCTION PRACTICES, CONSTRUCTION CONTRACTOR WILL BE REQUIRED TO ASSUME SOLE AND COMPLETE RESPONSIBILITY FOR JOB SITE CONDITIONS DURING THE COURSE OF CONSTRUCTION OF THE PROJECT, INCLUDING SAFETY OF ALL PERSONS AND PROPERTY. THAT THIS REQUIREMENT SHALL BE MADE TO APPLY CONTINUOUSLY AND NOT BE LIMITED TO NORMAL WORKING HOURS, AND CONSTRUCTION CONTRACTOR FURTHER AGREES TO DEFEND, INDEMNIFY AND HOLD DESIGN PROFESSIONAL HARMLESS FROM ANY AND ALL LIABILITY, REAL OR ALLEGED, IN CONNECTION WITH THE PERFORMANCE OF WORK ON THIS PROJECT, EXCEPT LIABILITY ARISING FROM THE SOLE NEGLIGENCE OF DESIGN PROFESSIONAL.



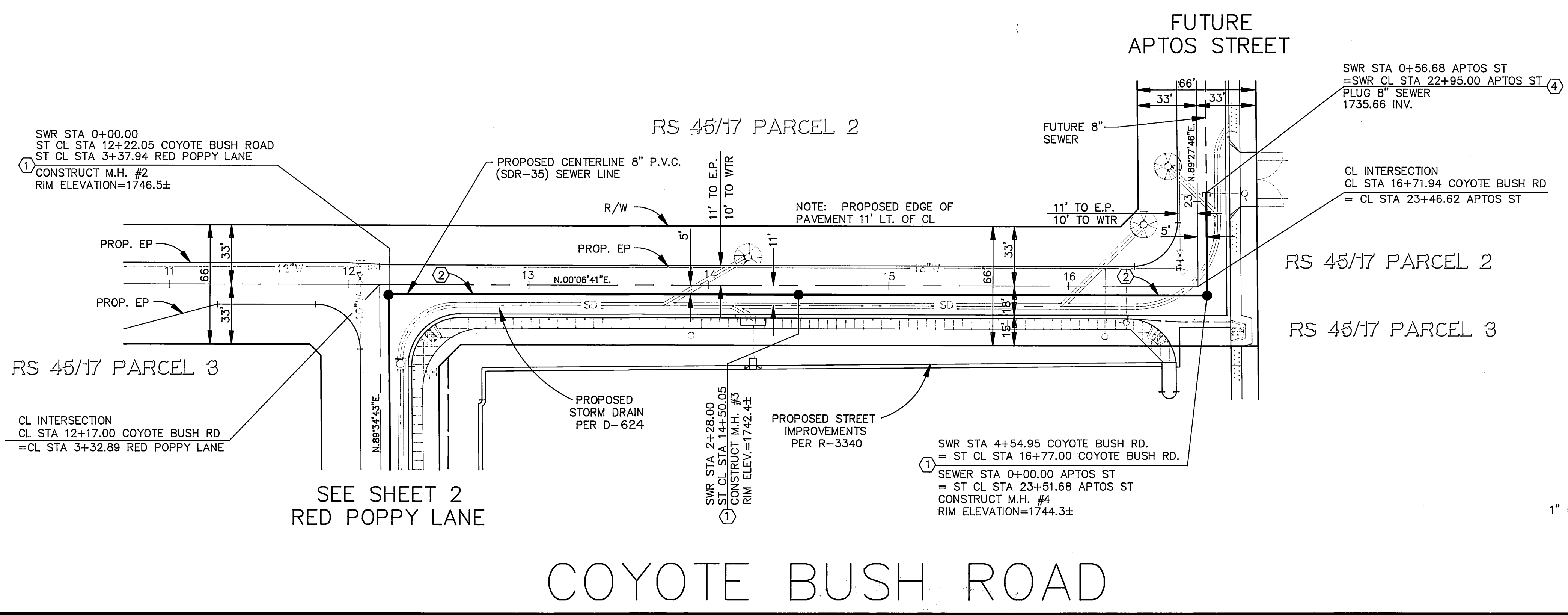
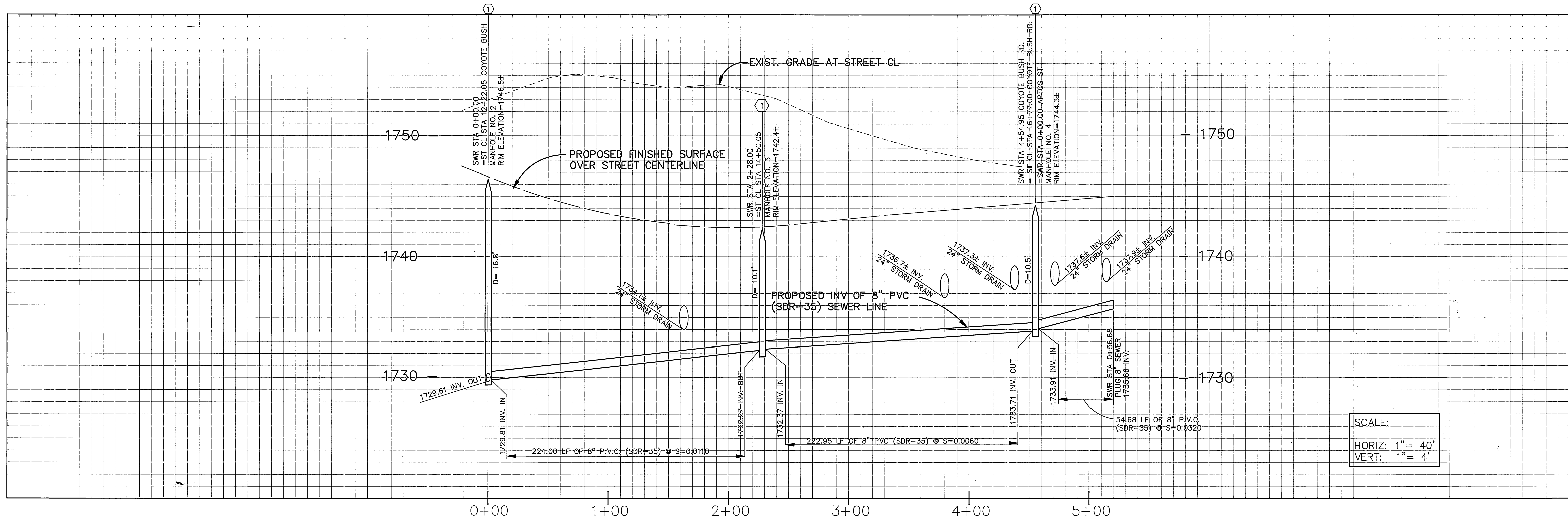
PREPARED UNDER THE DIRECTION OF:
Daniel J. O'Rourke
DANIEL J. O'ROURKE
REGISTERED CIVIL ENGINEER NO. 47677
EXPIRATION DATE: 12-31-95 DATE: 11-5-92
APPROVED BY:
DATE: _____

J.F. Davidson Associates, Inc.
ENGINEERING PLANNING SURVEYING ARCHITECTURE LANDSCAPE ARCHITECTURE
3880 Lemon Street Suite 300 P.O. Box 493 Riverside, CA 92502 (909) 886-0844 FAX 909-886-5954
3550 Shelby Street Suite 100 Ontario, CA 91764 (909) 844-2881 (909) 844-2881 FAX 714 944-7761
75-150 Sheryl Drive Palm Desert, CA 92260 P.O. Box 1287 Palm Desert, CA 92255 (619) 346-9691 FAX 619-340-0529
27349 Jefferson Suite 110 P.O. Box 340 Temecula, CA 92290 (909) 676-7710 FAX 909-699-1981
BENCHMARK: V.B. 10-64 ELEV: 1700.670
BRASS DISK FLUSH & MARKED V.B. 10-64, 0.6 MI E ON VAN BUREN BLVD FROM INT VAN BUREN & WOOD RD 205' N OF VAN BUREN AT N.E. SIDE OF GRANITE BOULDERS ON TOP OF 3'X15'X18' BOULDER.
SCALE 1" = 40'
DATE OCT. 30, 1992

MARK	REVISIONS	APPR.	DATE
DESIGNED BY D.J.O.	DRAWN BY S.L.C.	CHECKED BY G.P.	

CITY OF RIVERSIDE
PUBLIC WORKS DEPARTMENT
APPROVED BY: [Signature] DATE: 3/14/94
PRINCIPAL ENGINEER
PARK DEPARTMENT
TRAFFIC DIVISION
CHIEF P.W. ENGINEER: 3/14/94
DATE: 3/15/94

CITY OF RIVERSIDE
ORANGECREST II ELEMENTARY SCHOOL
RED POPPY LANE
STA 8+31.18 TO STA 14+96.20
SEWER IMPROVEMENT PLANS
FOR R.U.S.D. (H.M.C.) W.O. 9112545
SHEET NO. 2
OF 3 SHITS
FILE NO. S-1654
INDEXED 4-20-94



- CONSTRUCTION NOTES**
- ① CONSTRUCT SEWER MANHOLE PER CITY OF RIVERSIDE STD. DWG. NO. 500.
 - ② CONSTRUCT 8" P.V.C. SEWER LINE (SDR-35).
 - ④ PLUG 8" P.V.C. SEWER.

Underground Service Alert
Call: TOLL FREE
1-800-422-4133
TWO WORKING DAYS BEFORE YOU DIG

PRIVATE ENGINEERING NOTE
CONSTRUCTION CONTRACTOR AGREES THAT IN ACCORDANCE WITH GENERALLY ACCEPTED CONSTRUCTION PRACTICES, CONSTRUCTION CONTRACTOR WILL BE REQUIRED TO ASSUME SOLE AND COMPLETE RESPONSIBILITY FOR JOB SITE CONDITIONS DURING THE COURSE OF CONSTRUCTION OF THE PROJECT, INCLUDING SAFETY OF ALL PERSONS AND PROPERTY. THAT THIS REQUIREMENT SHALL BE MADE TO APPLY CONTINUOUSLY AND NOT BE LIMITED TO NORMAL WORKING HOURS, AND CONSTRUCTION CONTRACTOR FURTHER AGREES TO DEFEND, INDEMNIFY AND HOLD DESIGN PROFESSIONAL HARMLESS FROM ANY AND ALL LIABILITY, REAL OR ALLEGED, IN CONNECTION WITH THE PERFORMANCE OF WORK ON THIS PROJECT, EXCEPTING LIABILITY ARISING FROM THE SOLE NEGLIGENCE OF DESIGN PROFESSIONAL.



PREPARED UNDER THE DIRECTION OF:
Daniel J. O'Rourke
REGISTERED CIVIL ENGINEER NO. 47677
EXPIRATION DATE: 12-31-95 DATE: 11-5-93
APPROVED BY: _____ DATE: _____

J.F. Davidson Associates, Inc.
ENGINEERING PLANNING SURVEYING ARCHITECTURE LANDSCAPE ARCHITECTURE
RIV. BUS. TAX NUMBER 4994 EXP. 12/31/93
SCALE 1" = 40'
DATE OCT. 30, 1992
BENCHMARK: V.B. 10-64 ELEV: 1700.670
BRASS DISK FLUSH & MARKED V.B. 10-64, 0.5 MI. E. ON VAN BUREN BLVD FROM INT VAN BUREN & WOOD RD 205' N OF VAN BUREN AT N.E. SIDE OF GRANITE BOULDERS ON TOP OF 3'X15'X18' BOULDER.

MARK	REVISIONS	APPR.	DATE
DESIGNED BY D.J.O.	DRAWN BY S.L.C.	CHECKED BY G.P.	

CITY OF RIVERSIDE PUBLIC WORKS DEPARTMENT
APPROVED BY: _____ DATE: 3/14/94
PRINCIPAL ENGINEER: _____
PARK DEPARTMENT: _____
TRAFFIC DIVISION: _____
CHIEF P.W. ENGINEER: _____ DATE: 3/15/94

CITY OF RIVERSIDE ORANGECREST II ELEMENTARY SCHOOL COYOTE BUSH ROAD
STA 0+00.00 TO STA 4+54.95
SEWER IMPROVEMENT PLANS
FOR R.U.S.D. (H.M.C.) W.O. 9112545

SHEET NO. 3 OF 3 SHTS FILE NO. S-1654