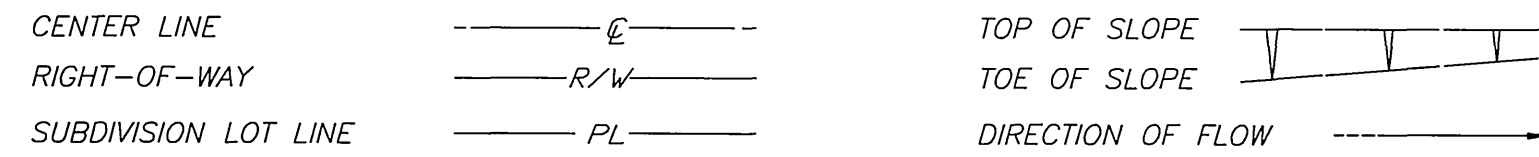


RIVERSIDE CITY OF RIVERSIDE CALIFORNIA

PUBLIC WORKS DEPARTMENT

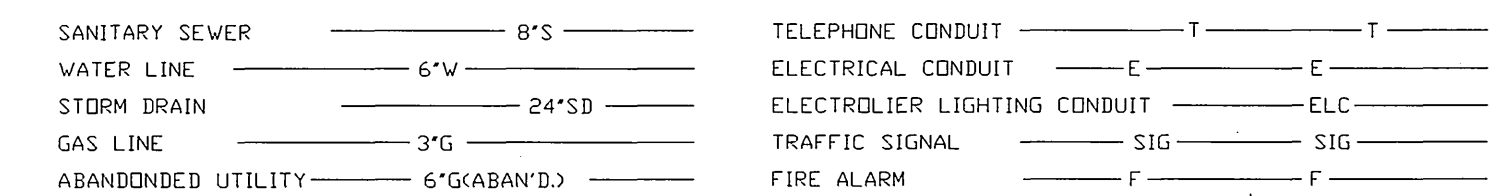
TENTH STREET RELIEF SEWER PARK TO KANSAS

CONSTRUCTION LEGEND

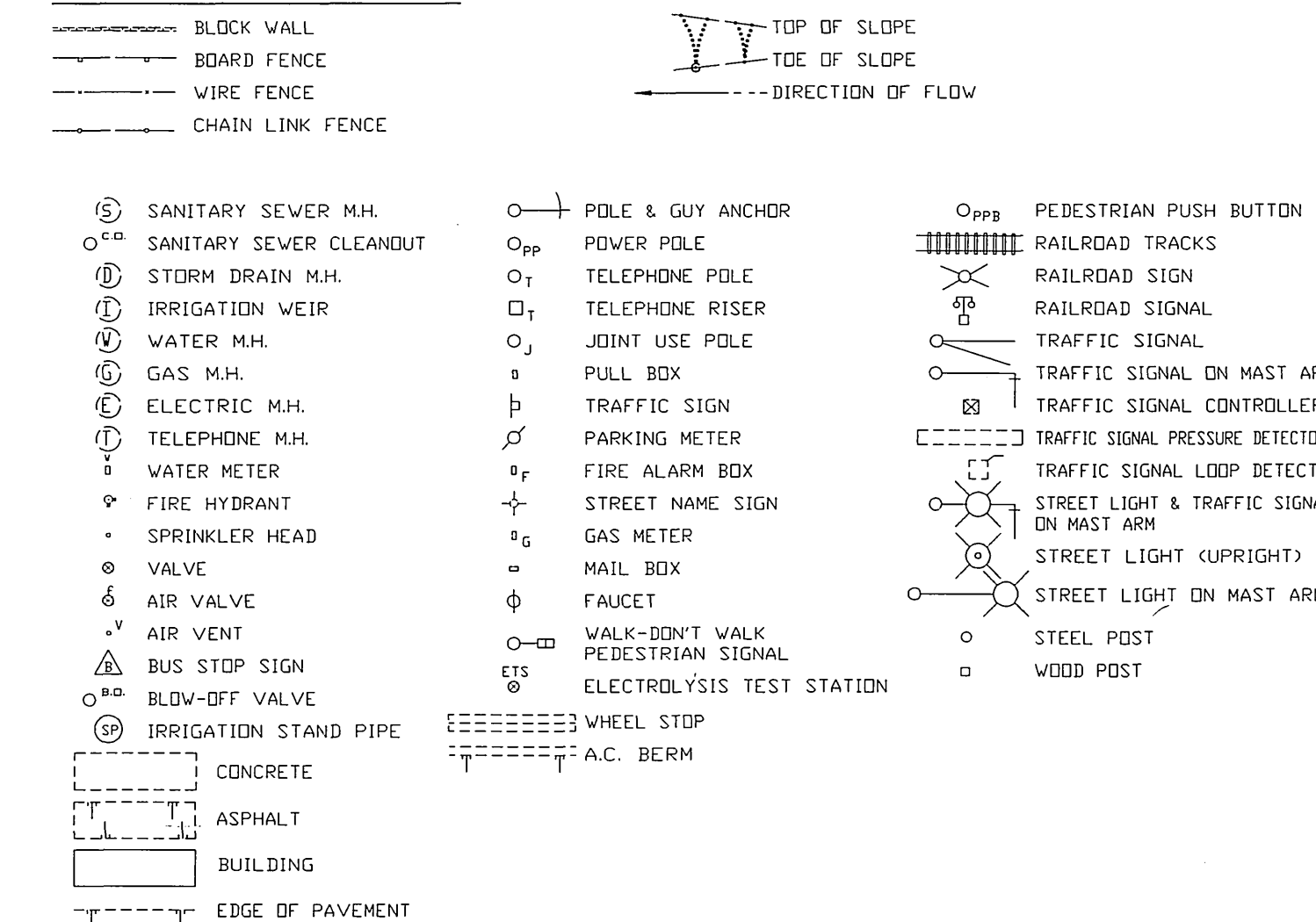


EXISTING UNDERGROUND & TOPOGRAPHY LEGEND

EXISTING UNDERGROUND UTILITIES



EXISTING TOPOGRAPHY



SPECIFIC CONSTRUCTION NOTES

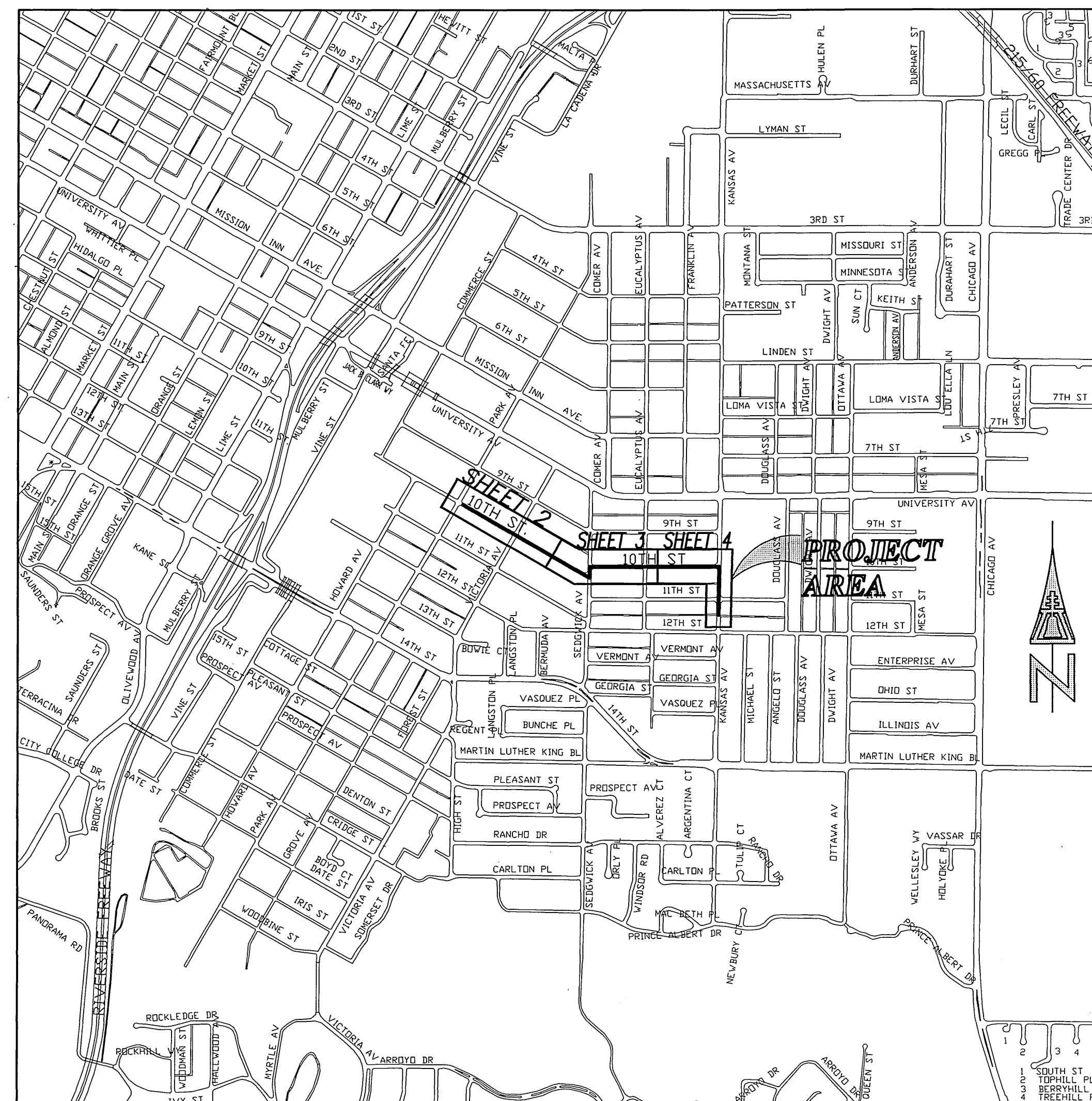
NUMBERS ABOVE 100 IN A HEXAGON ON THE PLAN REFER TO THE RESPECTIVE STANDARD DRAWING AND SHALL BE CONSTRUCTED ACCORDINGLY. UNLESS MODIFICATIONS ARE NOTED ON THE PLAN OR COVER SHEET. ANY NUMBER SHOWN BELOW THE STANDARD DRAWING NUMBER INDICATES THE SPECIFIC ALTERNATE TO BE CONSTRUCTED.

R&R 0.46 REMOVE AND REPLACE EXISTING STRUCTURAL SECTION WITH 0.46' FULL DEPTH AC.

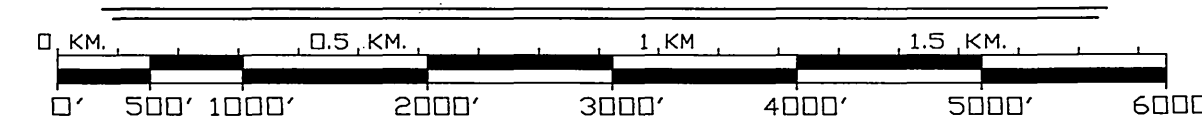
1 CONNECT EXISTING SEWER LATERAL TO PROPOSED SEWER PER STD. DWG. 562.

GENERAL CONSTRUCTION NOTES

- EXISTING UTILITIES SHOWN ON THIS PLAN ARE PLOTTED FROM UTILITY RECORDS. THE CONTRACTOR IS REQUIRED TO TAKE DUE PRECAUTIONARY MEASURES TO LOCATE AND PROTECT ALL UTILITIES WHETHER OR NOT SHOWN ON THIS PLAN. IF THE COVER OF A UTILITY IS KNOWN, IT IS SHOWN IN THE PROFILE. UTILITIES SHOWN IN THE PROFILE AS INDICATES THAT THE COVER IS UNKNOWN, BUT THE UTILITY IS NOT EXPECTED TO CONFLICT WITH THE PROPOSED IMPROVEMENTS.
- ALL ELEVATIONS, SHOWN ON THE PLANS, SHALL BE STAKED IN THE FIELD.
- PRIME CONTRACTORS, BIDDING THIS WORK, SHALL HAVE A CLASS A, C-34 OR C-42 LICENSE.
- CONSTRUCTION SHALL BE IN ACCORDANCE WITH THE CITY OF RIVERSIDE STANDARD DWGS AND STANDARD SPECIFICATIONS FOR PUBLIC WORKS CONSTRUCTION, 1994 EDITION.
- TRENCH RESURFACING PAVEMENT SECTION:
TENTH STREET.....0.46 A.C.
KANSAS AVENUE.....0.70 A.C.
PARK AVENUE.....0.70 A.C.
SEDCWICK AVENUE.....0.70 A.C.
- PRIOR TO ISSUANCE OF ANY GRADE SHEETS, ALL POTENTIALLY CONFLICTING UTILITIES SHALL BE EXPOSED AND SURVEYED, FOR PRECISE LOCATION BY CITY SURVEYORS, IN ORDER TO MINIMIZE CONSTRUCTION PROBLEMS (I.E. THE 15"S.D. NEAR STA. 18+70, 18"S.D. NEAR STA 27+00, 12"W NEAR STA. 39+20 AND 48"W NEAR STA. 42+85, ETC.).



PROJECT LOCATION MAP



SCALE: 1"=1000'

FOR EXISTING IMPROVEMENTS SEE:
59A, 181A, 477, 637, 639, 947, 974,
D-197, D-317, R-382, R-2376, R-2578,
S-398 AND SEWER MAP BOOK 2
(PAGES 4, 5, 6, 7, 8, 19, 26 & 33)

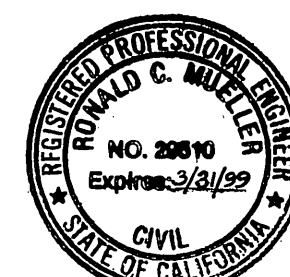
NOT
CONSTRUCTED
YET

IMPORTANT NOTICE
Section 4216/4217 of the Government Code requires a Dig Alert Identification Number to be issued before a "Permit to Excavate" will be valid. For your Dig Alert I.D. Number call **CALL TOLL FREE** TWO WORKING DAYS BEFORE YOU DIG UNDERGROUND SERVICE ALERT **1-800-227-2600**

ENGINEER IN RESPONSIBLE CHARGE

Ronald C. Mueller
RONALD C. MUELLER
R.C.E. No. 29510 expires 3/31/99

DATE 12/26/95

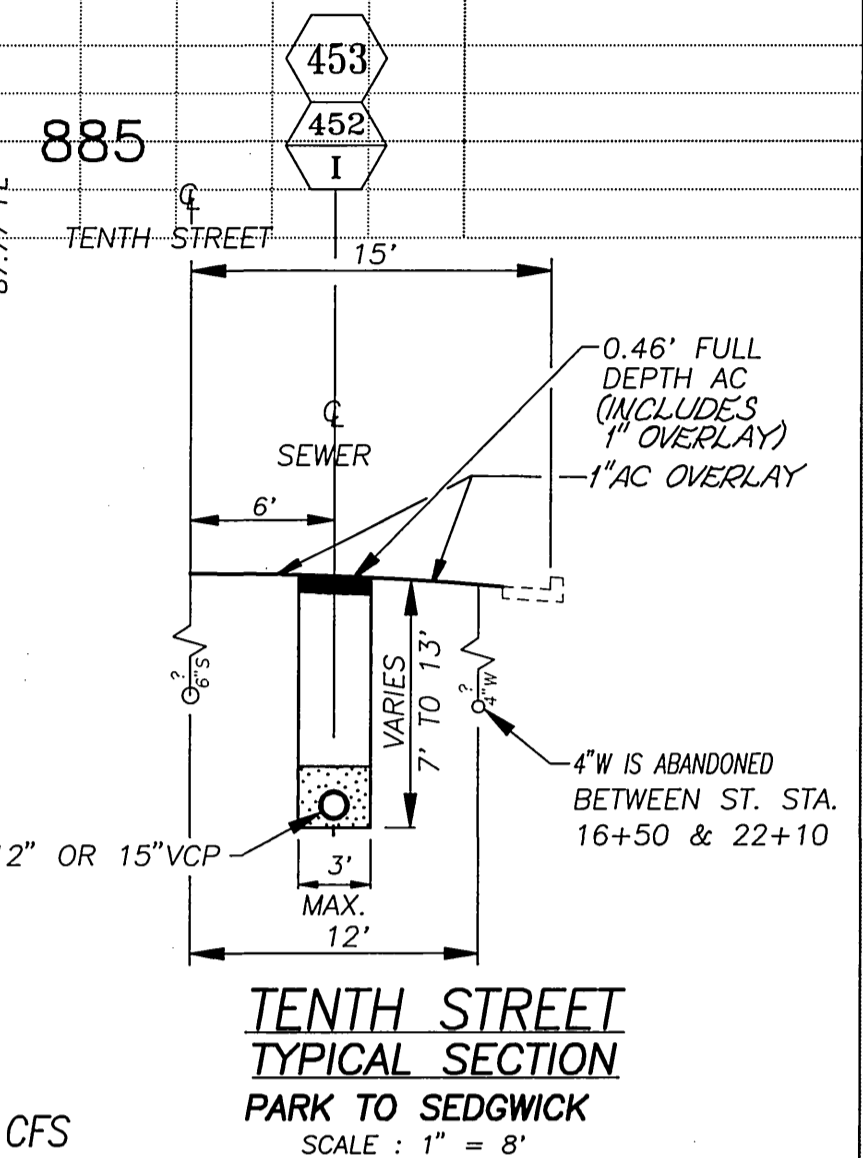
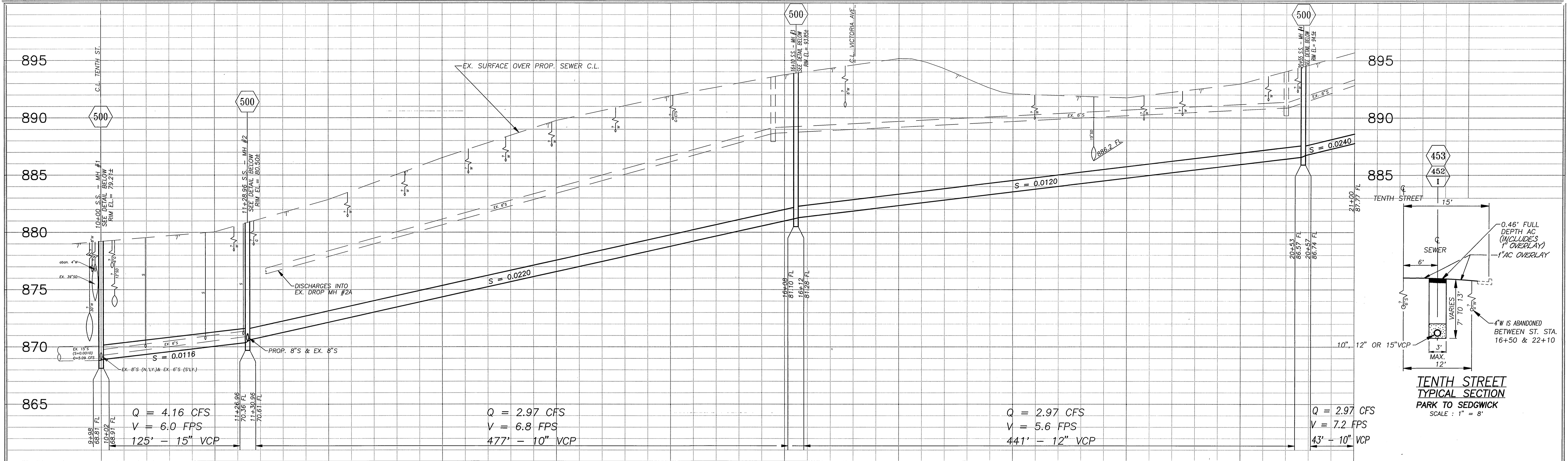


CITY OF RIVERSIDE, CALIFORNIA PUBLIC WORKS DEPARTMENT			
APPROVED BY	BY	DATE	APPROVED BY
DEPUTY P.W. DIRECTOR			
PRINCIPAL ENGINEER			
CHIEF P.W. INSPECTOR	REL	12-19-95	PUBLIC WORKS DIRECTOR
TRAFFIC DIVISION			
SURVEYOR			
STREET SERVICES			
DESIGNED BY	FXL	DRAWN BY	RAM
CHECKED BY			REM

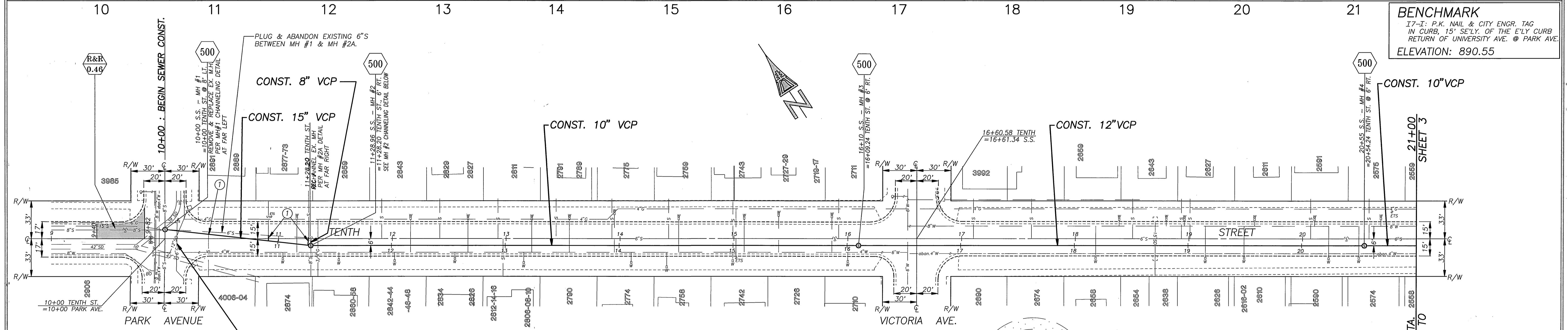
**TENTH STREET
RELIEF SEWER
PARK TO KANSAS**

ACCT. NO.551-741290-440301-40159
S-1659
SHEET 1 OF 4
FILE NO.

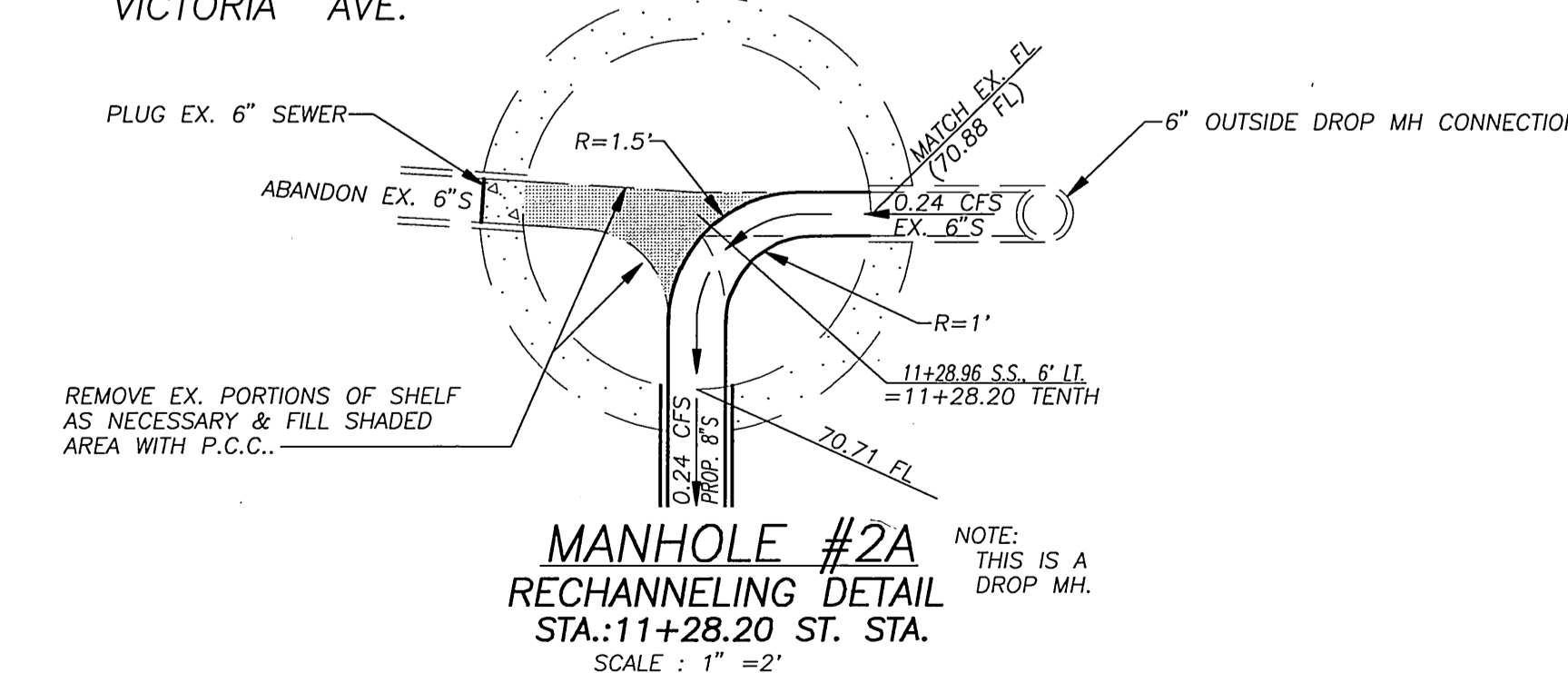
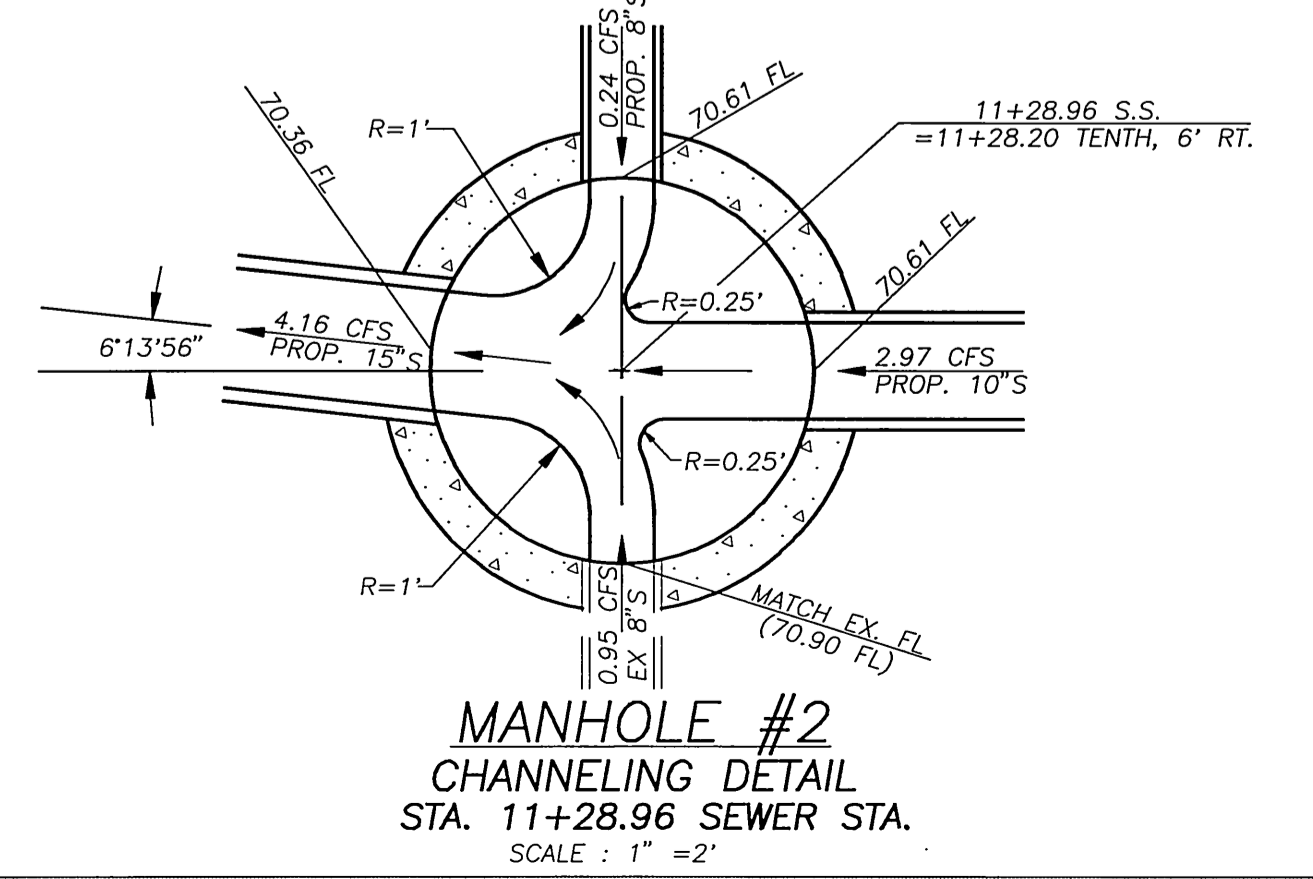
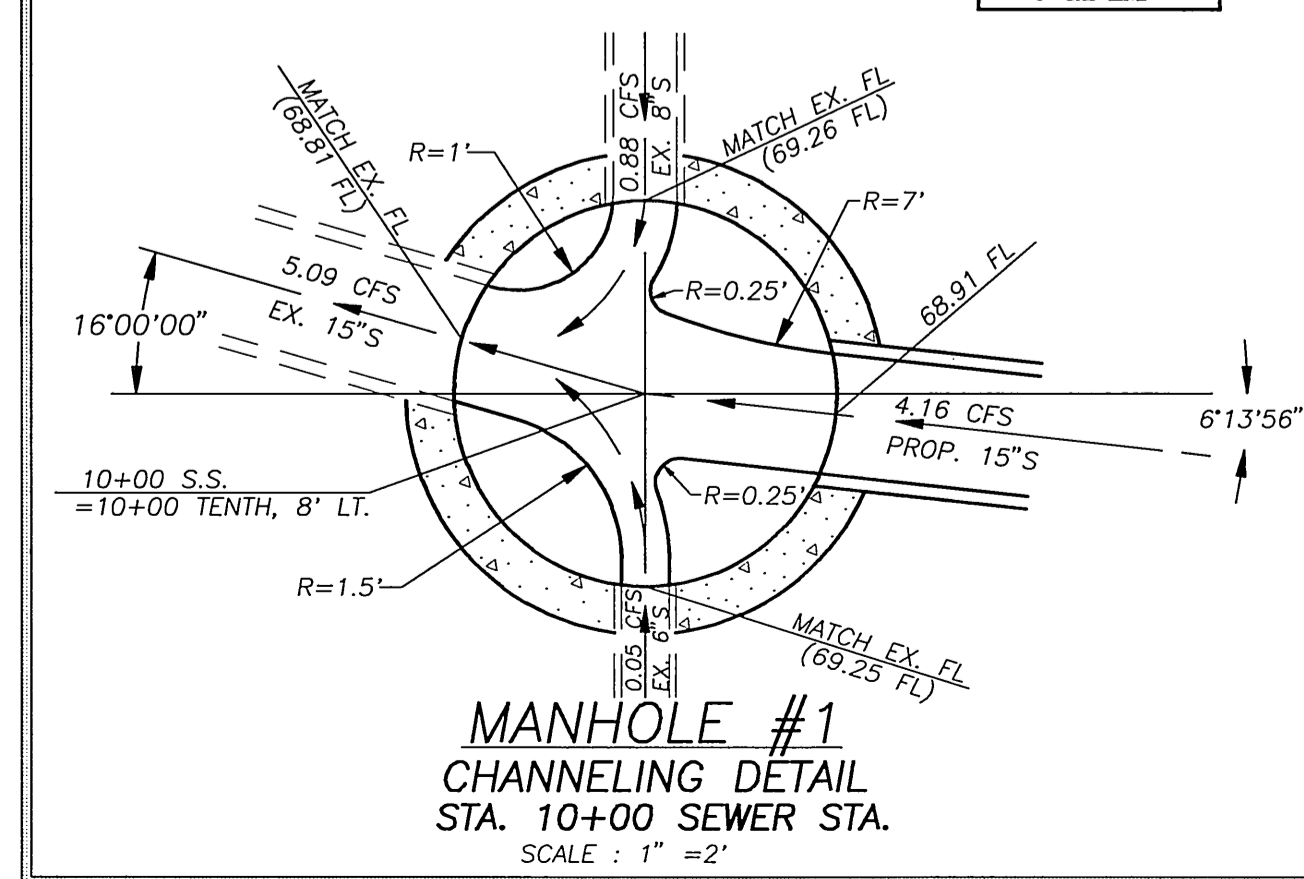
INDEXED 3-8-02 Lth



BENCHMARK
 17-T. P.K. MAIL & CITY ENGR. TAG
 IN CURB, 15' SE'LY. OF THE E'LY CURB
 RETURN OF UNIVERSITY AVE. @ PARK AVE.
 ELEVATION: 890.55



CAUTION!!!
 6" GAS LINE



NOT
CONSTRUCTED
YET

CONSTRUCTION NOTES:
 ① CONNECT EXISTING SEWER LATERAL INTO PROPOSED SEWER PER STD. DWG. 562.

ENGINEER IN RESPONSIBLE CHARGE
 Ronald C. Mueller
 RONALD C. MUELLER
 R.C.E. No. 29510 expires 3/31/99
 DATE 12/26/95



DESIGNED BY	FYL	DRAWN BY	RJM	CHECKED BY	rcm
APPROVED BY		DATE			
REVISIONS		APPR	DATE		

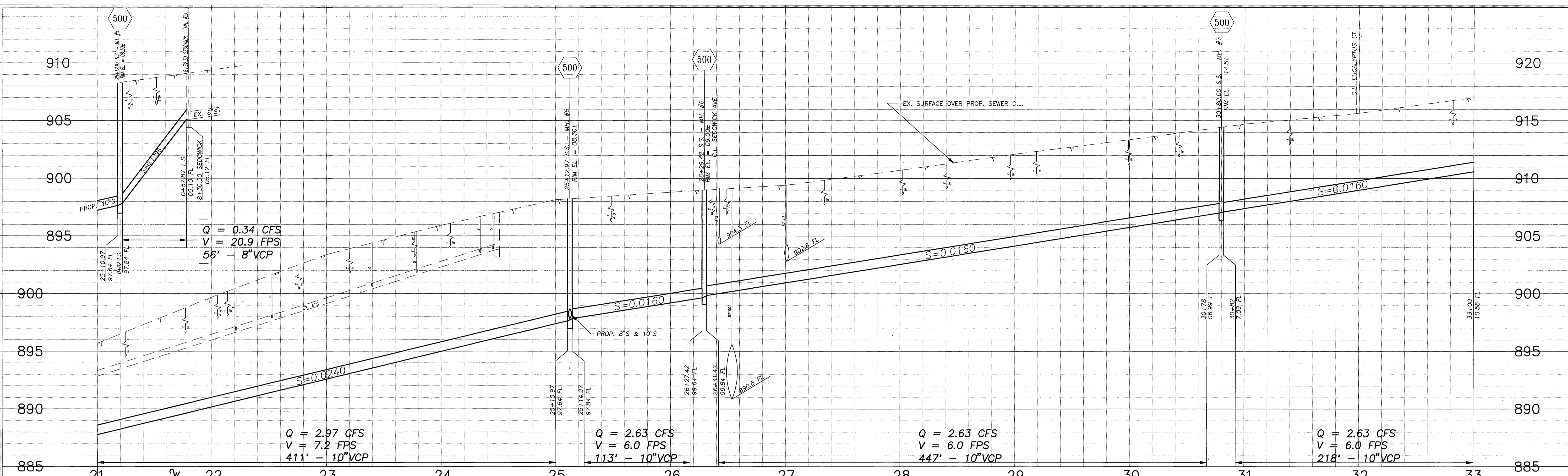
CITY OF RIVERSIDE, CALIFORNIA
PUBLIC WORKS DEPARTMENT

APPROVED BY: _____ DATE: _____
 DEPUTY P.W. DIRECTOR
 PRINCIPAL ENGINEER
 CHIEF P.W. INSPECTOR
 TRAFFIC DIVISION
 SURVEYOR
 STREET SERVICES

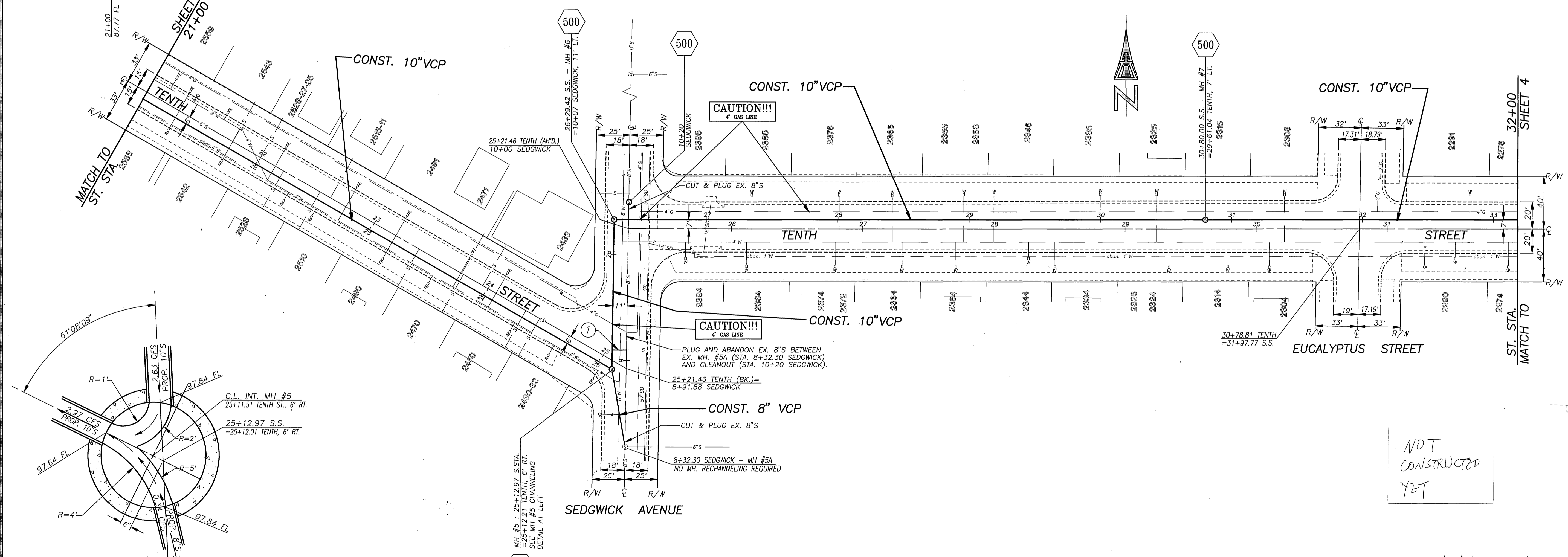
TENTH STREET RELIEF SEWER
PARK TO KANSAS

HORIZ. SCALE: 1" = 40' VERT. SCALE: 1" = 4'

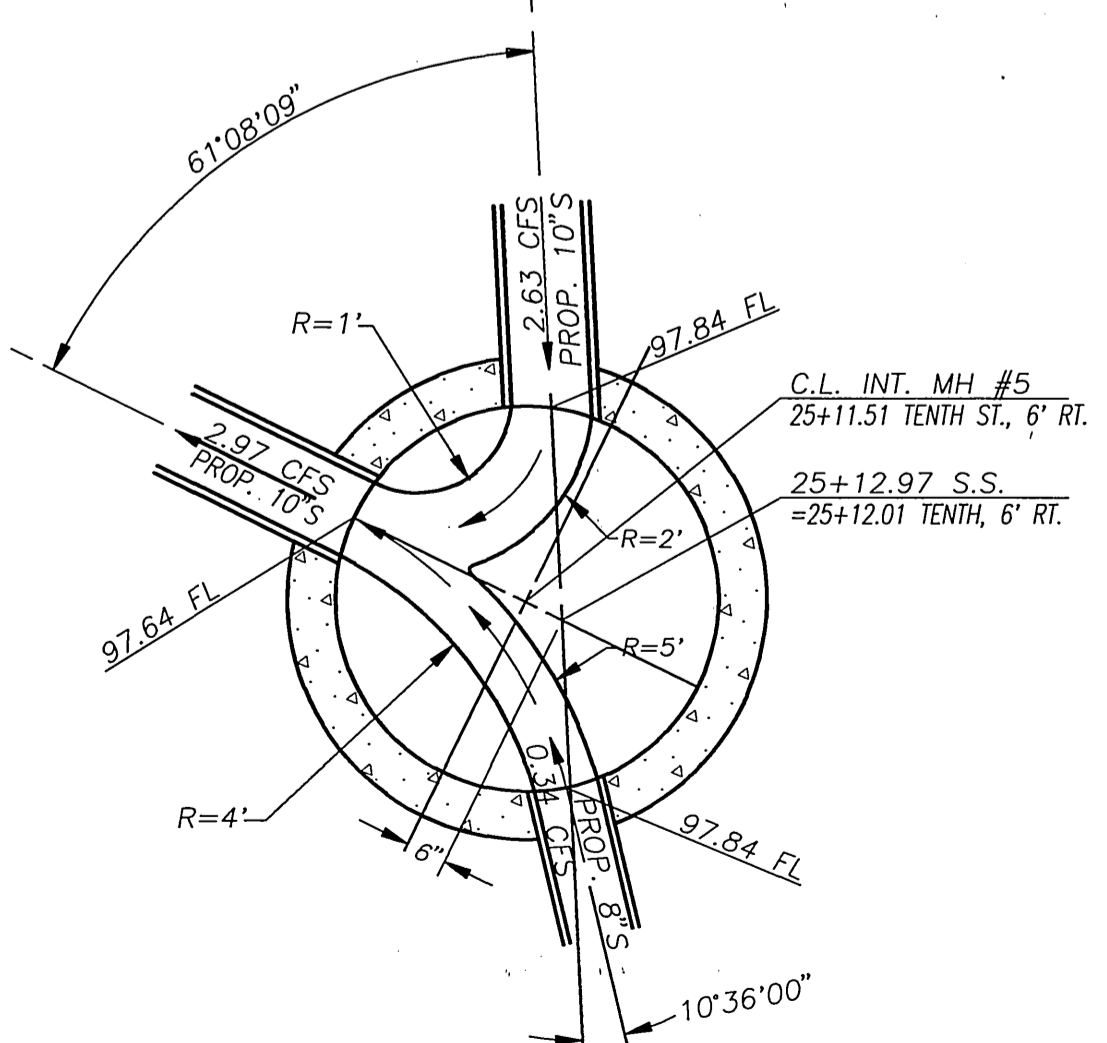
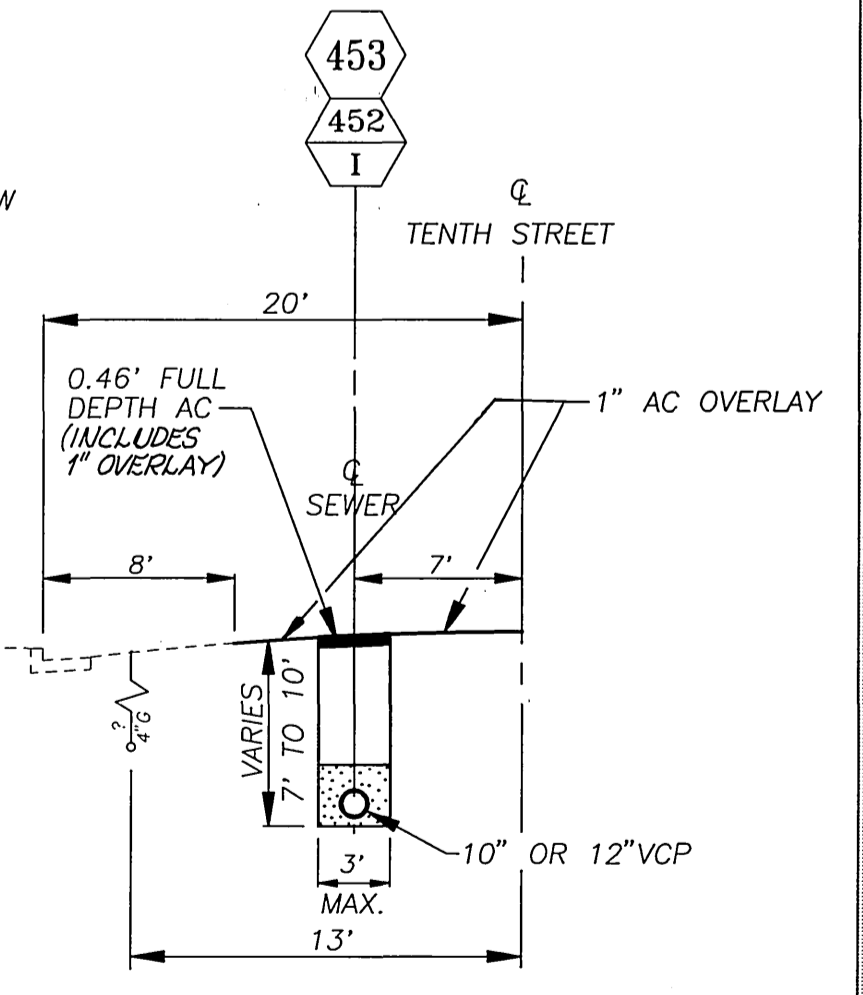
ACCT. No. 551-741290-440301-40159
S-1659
 SHEET 2 OF 4
 FILE NO.



BENCHMARK
 I7-I: P.K. NAIL & CITY ENGR. TAG
 IN CURB, 15' SE'LY. OF THE E'LY CURB
 RETURN OF UNIVERSITY AVE. @ PARK AVE.
 ELEVATION: 890.55



CONSTRUCTION NOTES:
 ① CONNECT EXISTING SEWER LATERAL INTO PROPOSED SEWER PER STD. DWG. 562.



MANHOLE #5
 CHANNELING DETAIL
 STA. 25+12.97 SEWER STA.
 SCALE: 1" = 2"

ENGINEER IN RESPONSIBLE CHARGE
Ronald C. Mueller
 RONALD C. MUELLER
 R.C.E. No. 29510 expires 3/31/99
 DATE 12/26/95

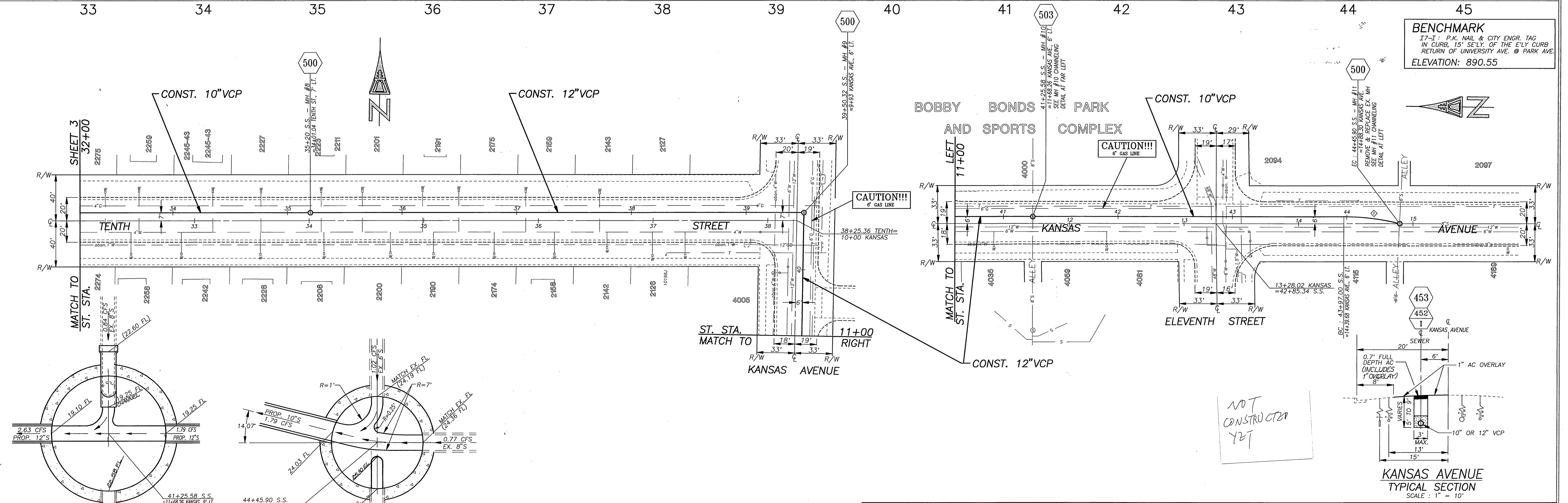
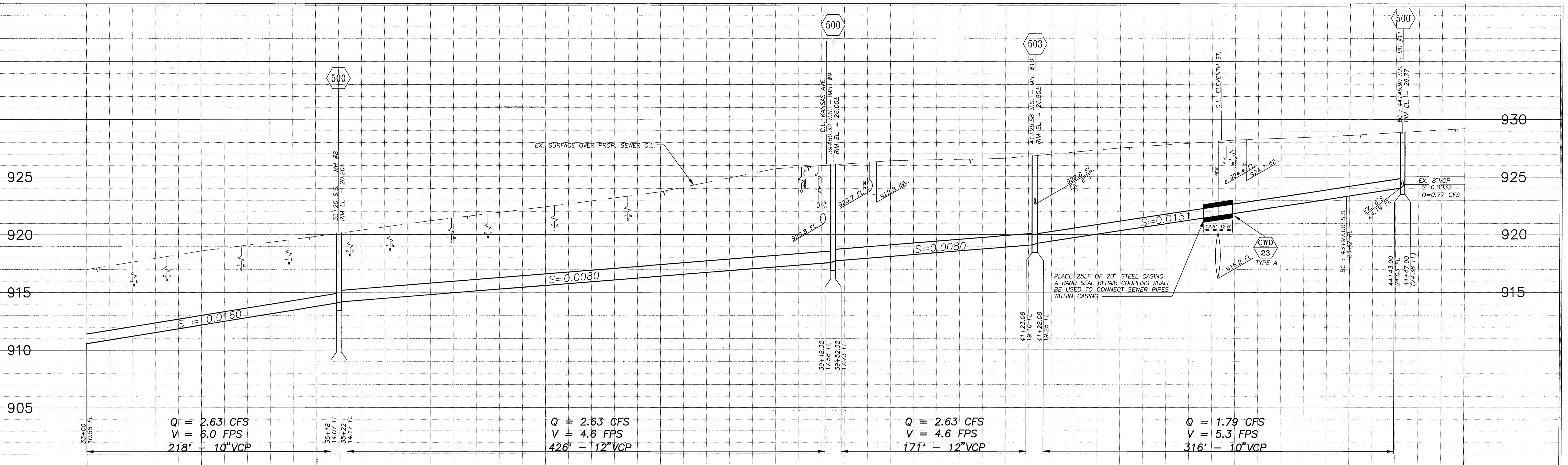


CITY OF RIVERSIDE, CALIFORNIA PUBLIC WORKS DEPARTMENT			
APPROVED BY	BY	DATE	APPROVED BY
DEPUTY P.W. DIRECTOR			
PRINCIPAL ENGINEER			
CHEF P.W. INSPECTOR			PUBLIC WORKS DIRECTOR
TRAFFIC DIVISION			
SURVEYOR			
STREET SERVICES			

**TENTH STREET
 RELIEF SEWER
 PARK TO KANSAS**

ACCT. NO. 551-741290-440301-40159
S-1659
 SHEET 3 OF 4
 FILE NO.

HORIZ. SCALE: 1" = 40' VERT. SCALE: 1" = 4'



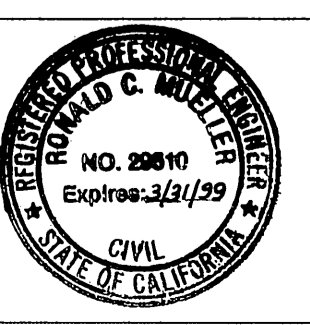
BENCHMARK
 17-1: P.K. NAIL & CITY ENGR. TAG
 IN CURB, 15' SE'LY. OF THE ELY CURB
 RETURN OF UNIVERSITY AVE. @ PARK AVE.
 ELEVATION: 890.55

MANHOLE #10 (60" DIA.)
 CHANNELING DETAIL
 STA. 41+25.58 SEWER STA.
 SCALE: 1" = 2'

MANHOLE #11
 CHANNELING DETAIL
 STA. 44+45.90 SEWER STA.
 SCALE: 1" = 2'

CURVE DATA			
Curve	R	L	T
1	14'04"12"	200'	48.90'
			24.68'

ENGINEER IN RESPONSIBLE CHARGE
Ronald C. Mueller
 RONALD C. MUELLER
 R.C.E. No. 29510 expires 3/31/99
 DATE 12/26/95



DESIGNED BY: FYL
 DRAWN BY: RJM
 CHECKED BY: RCM

CITY OF RIVERSIDE, CALIFORNIA
PUBLIC WORKS DEPARTMENT

APPROVED BY: _____ BY: _____ DATE: _____
 DEPUTY P.W. DIRECTOR
 PRINCIPAL ENGINEER
 CHIEF P.W. INSPECTOR
 SUPERVISOR
 STREET SERVICES

TENTH STREET RELIEF SEWER
PARK TO KANSAS

ACCT. No. 551-741290-440301-40159
S-1659
 SHEET 4 OF 4
 FILE NO. _____

HORIZ. SCALE: 1" = 40'
 VERT. SCALE: 1" = 4'

INDEXED 3-8-02 LFH