

VICINITY MAP
NO SCALE

INDEX MAP
NO SCALE

GENERAL NOTES

- IT SHALL BE THE RESPONSIBILITY OF THE CONTRACTOR TO CLEAR THE RIGHT OF WAY IN ACCORDANCE WITH THE PROVISIONS OF LAW AS IT AFFECTS EACH UTILITY INCLUDING IRRIGATION LINES AND APPURTENANCES AND AT NO COST TO THE CITY.
- CONSTRUCTION SHALL BE IN ACCORDANCE WITH THE CITY OF RIVERSIDE DEPARTMENT OF PUBLIC WORKS, STANDARD DRAWINGS, ITS SUPPLEMENTAL NOTES AND THE STANDARD SPECIFICATIONS FOR PUBLIC WORKS CONSTRUCTION, CURRENT EDITION.
- THE PRIVATE ENGINEER SIGNING THESE PLANS IS RESPONSIBLE FOR ASSURING THE ACCURACY AND ACCEPTABILITY OF THE WORK HEREON. IN THE EVENT OF DISCREPANCIES ARISING DURING CONSTRUCTION, THE PRIVATE ENGINEER SHALL BE RESPONSIBLE FOR DETERMINING AN ACCEPTABLE SOLUTION AND REVISING THE PLANS FOR APPROVAL BY THE CITY.
- THE DEVELOPER SHALL BE RESPONSIBLE FOR PRESERVING OR RE-ESTABLISHING AND REFERENCING SURVEY MONUMENTS DESTROYED, DISTURBED OR BURIED AS A RESULT OF CONSTRUCTION SHOWN HEREON.
- ALL FLAGGED ELEVATIONS SHALL BE STAKED IN THE FIELD BY THE PRIVATE ENGINEER.
- THE CONTRACTOR SHALL CALL IN A LOCATION REQUEST TO UNDERGROUND SERVICE ALERT (USA), PHONE 1-800-227-2600, TWO WORKING DAYS BEFORE DIGGING. NO CONSTRUCTION PERMIT WILL BE ISSUED BY PUBLIC WORKS DEPARTMENT INVOLVING EXCAVATION FOR UNDERGROUND FACILITIES UNLESS THE APPLICANT HAS BEEN PROVIDED AN INQUIRY IDENTIFICATION NUMBER BY U.S.A.
- CONTRACTOR IS TO VERIFY EXISTING SEWER LOCATION AND ELEVATION PRIOR TO START OF CONSTRUCTION.
- LOCATION OF LATERALS TO BE DETERMINED IN THE FIELD AT THE DIRECTION OF THE OWNER. AVOID CONFLICT WITH PROPOSED AND/OR EXISTING FACILITIES.
- NO FINISHED FLOOR ELEVATION SHALL BE LESS THAN 6" ABOVE THE UPPER MANHOLE RIM ELEVATION OF THE SEWER LINE SEGMENT BEING CONNECTED TO, WITHOUT HAVING A PROPER BACKWATER VALVE INSTALLED IN THE LATERAL.
- A PLUG SHALL BE INSTALLED AND WILL REMAIN IN PLACE WHERE THE NEW SEWER CONNECTS WITH THE EXISTING SEWER UNTIL THE NEW SEWER IS ACCEPTED BY THE CITY.
- THE SEWER CONTRACTOR SHALL ADJUST MANHOLES TO FINAL GRADE AFTER PAVING IS COMPLETED.
- NO PERSON SHALL PERFORM ANY CONSTRUCTION ACTIVITY OR INSTALL ANY OBJECTS WITHIN THE PUBLIC RIGHTS-OF-WAY OR EASEMENTS OF THE CITY OF RIVERSIDE WITHOUT A VALID CONSTRUCTION PERMIT OR A STREET OPENING PERMIT OR AN ENCROACHMENT PERMIT ISSUED BY THE CITY'S PUBLIC WORKS DEPARTMENT.

NOTICE TO CONTRACTOR

THE EXISTENCE AND LOCATIONS OF ALL UNDERGROUND UTILITIES (UTILITY PIPES, STRUCTURES, ETC.) SHOWN ON THESE PLANS (MAIN LINES ONLY - NO SERVICE LATERALS) WERE ASCERTAINED BY A REVIEW OF RECORDS PROVIDED BY THESE MEMBER AGENCIES AND ARE APPROXIMATE. NEITHER THE OWNER NOR THE ENGINEER ASSUMES ANY RESPONSIBILITY FOR UTILITIES NOT SHOWN OR NOT IN THE LOCATION SHOWN.

ELECTRIC - CITY OF RIVERSIDE
GAS - SOUTHERN CALIFORNIA GAS CO.
TELEPHONE - PACIFIC BELL

THE CONTRACTOR IS REQUIRED TO TAKE DUE PRECAUTIONARY MEASURES TO PROTECT ALL UTILITIES SHOWN ON THESE PLANS AND/OR ANY OTHER UNDERGROUND UTILITIES NOT OF RECORD OR NOT SHOWN ON THESE PLANS.

CALL UNDERGROUND SERVICE ALERT (U.S.A.) 1-800-227-2600 AT LEAST 2 WORKING DAYS PRIOR TO EXCAVATION.

THE QUANTITY ESTIMATE SHOWN HEREON IS FOR THE USE OF GOVERNING AGENCIES IN DETERMINING BOND AMOUNTS AND/OR FEES AND IS NOT TO BE USED FOR BID PURPOSES.

THE CONTRACTOR IS RESPONSIBLE TO INSURE THAT ALL SIDEWALKS, RAMPS, RAILS, CLEARANCES AND APPURTENANCES MEET OR EXCEED THE MOST STRINGENT REQUIREMENTS OF CITY, STATE OR FEDERAL GOVERNMENT FOR ACCESSIBILITY.

CONSTRUCTION NOTES

- CONSTRUCT SEWER MANHOLE PER CITY STD. DWG. NO. 500
- CONSTRUCT SEWER CLEANOUT PER CITY STD. NO. 560 (RISER TO BE SAME DIAMETER AS MAIN LINE PIPE)
- CONSTRUCT 8" V.C.P. SEWER LINE, PIPE BEDDING PER STD. 452 (CASE I)
- CONSTRUCT 10" V.C.P. SEWER LINE, PIPE BEDDING PER STD. 452 (CASE I)
- TRENCH BACKFILL PER STD. 453

BENCH MARK:

L1-C3
EL. 1510.379
P.K., NAIL AND CITY ENGINEER TAG IN THE NORTHERLY CORNER OF A BASIN IN THE MEDIAN CURB OF SYCAMORE CANYON BLVD. 95 FEET SOUTHEASTERLY OF FAIR ISLE DRIVE.



CITY BUSINESS TAX CERTIFICATE NO. 005751 EXP. 12-31-99

**ALBERT A. WEBB ASSOCIATES
CIVIL ENGINEERS**
3788 McCRAY STREET RIVERSIDE, CA 92506
(909) 686-1070
APPROVED BY: [Signature] DATE 3-11-99
R.C.E. NO. C44762

W.O. 98-360 FOR: FAIRFIELD F.B. 1898

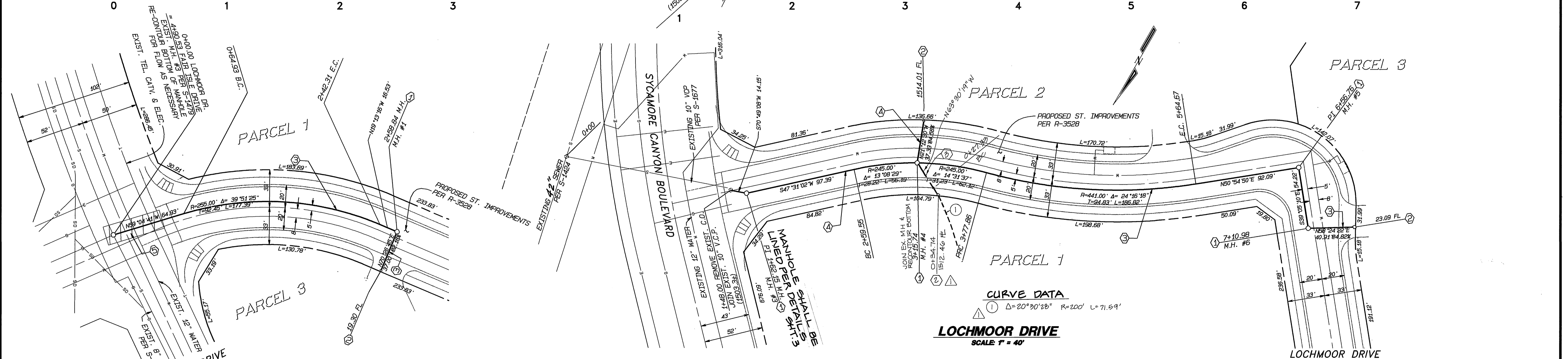
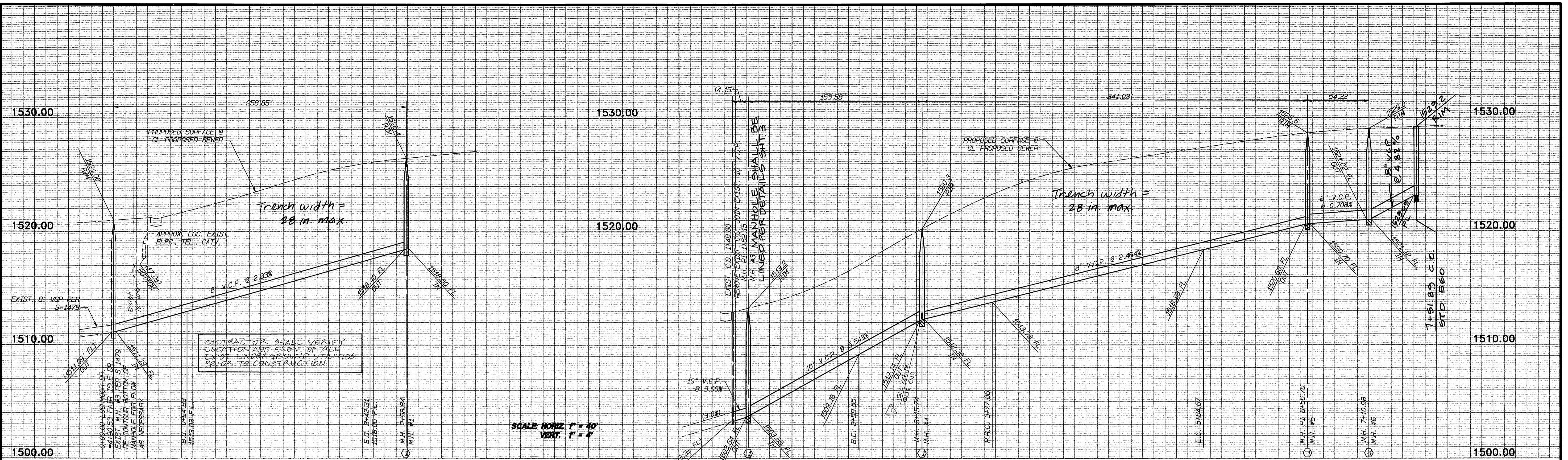
MARK	REVISIONS	APPR.	DATE

CITY OF RIVERSIDE, CALIFORNIA PUBLIC WORKS DEPARTMENT	
APPROVED BY	BY DATE
PRINCIPAL ENGINEER	[Signature] 4/21/99
PARK DEPARTMENT	- -
TRAFFIC DEPARTMENT	- -
P.W. ENG. MANAGER	[Signature] 4/21/99

SEWER IMPROVEMENT PLANS
PARCEL MAP NO. 28919
TITLE SHEET
SCALE: AS SHOWN

ACCOUNT NO. 98-360
DRAWING NUMBER
S-1709
SHEET 1 OF 3
98-360B

INDEXED 7-13-99 LHH



LOCHMOOR DRIVE AT FAIR ISLE DRIVE
SCALE 1" = 40'

BENCH MARK:
L1-C3
EL. 1510.379
P.K. NAIL AND CITY ENGINEER TAG IN THE NORTHERLY CORNER OF A BASIN IN THE MEDIAN CURB OF SYCAMORE CANYON BLVD. 95 FEET SOUTHEASTERLY OF FAIR ISLE DRIVE.

<p>CITY OF RIVERSIDE WATER DEPARTMENT</p> <p>APPROVED BY <i>Richard D. Duda</i> DATE 3/19/99</p>	<p>CITY OF RIVERSIDE PUBLIC UTILITIES DEPARTMENT— OVERHEAD & UNDERGROUND</p> <p>APPROVED BY <i>John C. Long</i> DATE 3-19-99</p>	<p>SOUTHERN CALIFORNIA GAS COMPANY</p> <p>APPROVED BY <i>Herman L. Garcia</i> DATE 3/12/99</p>	<p>PACIFIC BELL</p> <p>APPROVED BY <i>John B. Williams</i> DATE 03-12-99</p>	<p>CHARTER COMMUNICATIONS</p> <p>APPROVED BY <i>Stanley</i> DATE 3-12-99</p>
---	---	---	---	---

GRAPHIC SCALE 1" = 40'

CONSTRUCTION NOTES

- CONSTRUCT SEWER MANHOLE PER CITY STD. DWG. NO. 500
- CONSTRUCT SEWER CLEANOUT PER CITY STD. NO. 560 (RISER TO BE SAME DIAMETER AS MAIN LINE PIPE)
- CONSTRUCT 8" V.C.P. SEWER LINE, PIPE BEDDING PER STD. 452 (CASE I)
- CONSTRUCT 10" V.C.P. SEWER LINE, PIPE BEDDING PER STD. 452 (CASE I)
- TRENCH BACKFILL PER STD. 453

REGISTERED PROFESSIONAL ENGINEER
SCOTT R. HILDBRAND
NO. C44762
EXP. 3-31-02
CIVIL
STATE OF CALIFORNIA

CITY BUSINESS TAX CERTIFICATE NO. 005751 EXP. 12-31-99

ALBERT A. WEBB ASSOCIATES
CIVIL ENGINEERS
3788 MCCRAY STREET RIVERSIDE, CA 92506
(951) 686-1070

APPROVED BY *Albert A. Webb* DATE 3-11-99
R.C.E. NO. C44762

W.O. 98-360 FOR: FAIRFIELD F.B. 1998

CITY OF RIVERSIDE, CALIFORNIA
PUBLIC WORKS DEPARTMENT

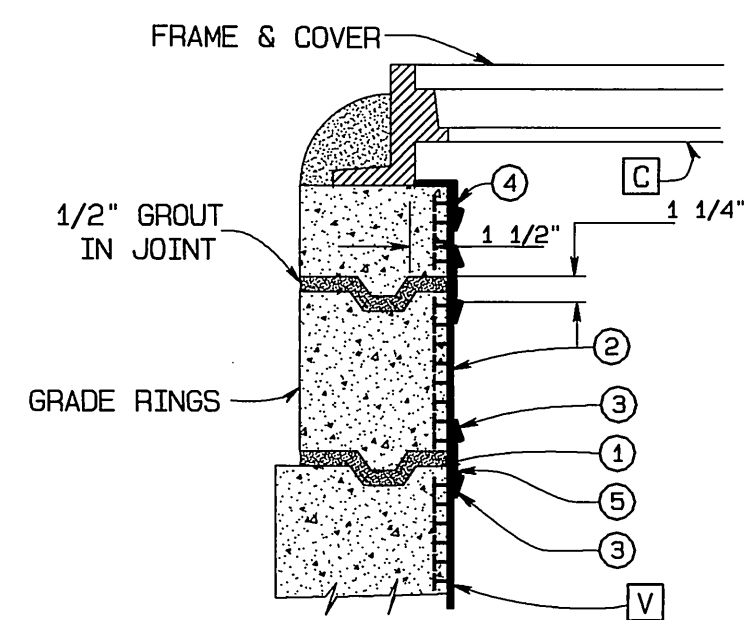
APPROVED BY	BY	DATE	APPROVED BY
PRINCIPAL ENGINEER	<i>R. McBrath</i>	4/21/99	<i>R. McBrath</i>
PARK DEPARTMENT	-	-	DIRECTOR OF PUBLIC WORKS
TRAFFIC DEPARTMENT	-	-	
P.W. ENG. MANAGER	<i>J.B. Williams</i>	03/12/99	

DATE 4-21-99

SEWER IMPROVEMENT PLANS
PARCEL MAP NO. 28919
LOCHMOOR DRIVE

SCALE: AS SHOWN

ACCOUNT NO. 98-360
DRAWING NUMBER
S-1709
SHEET 2 OF 3
98-360B



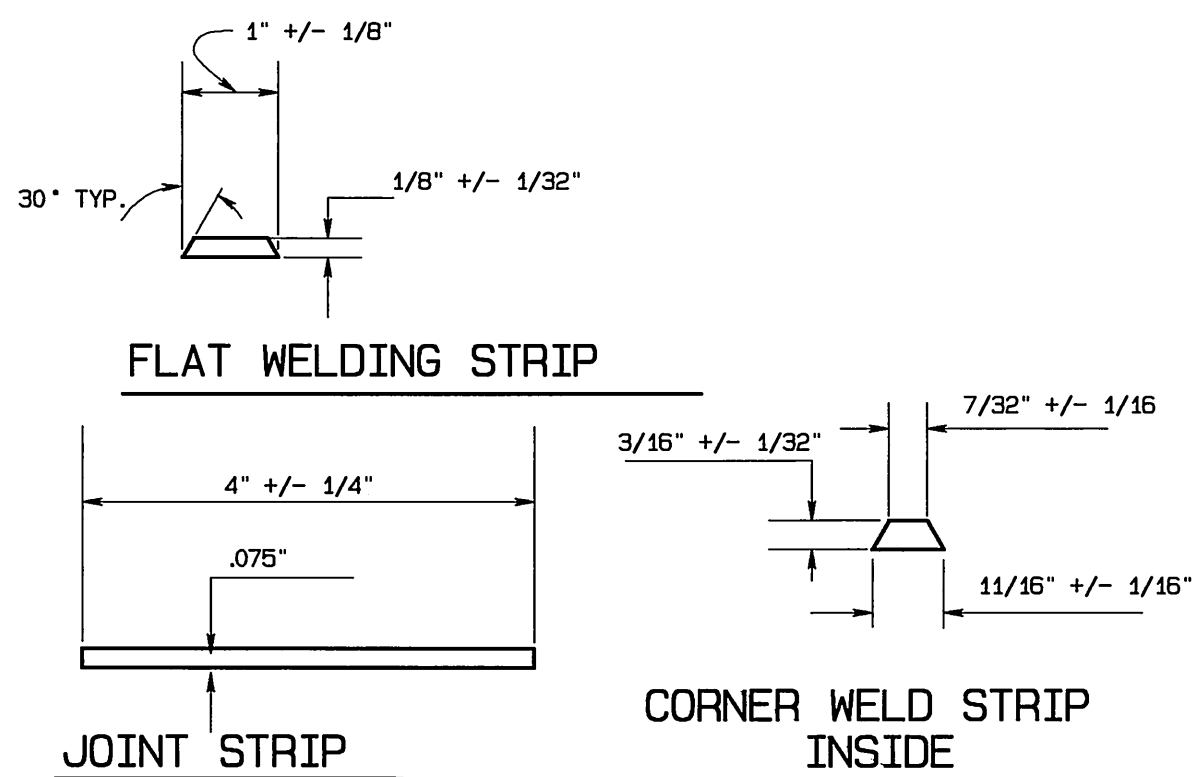
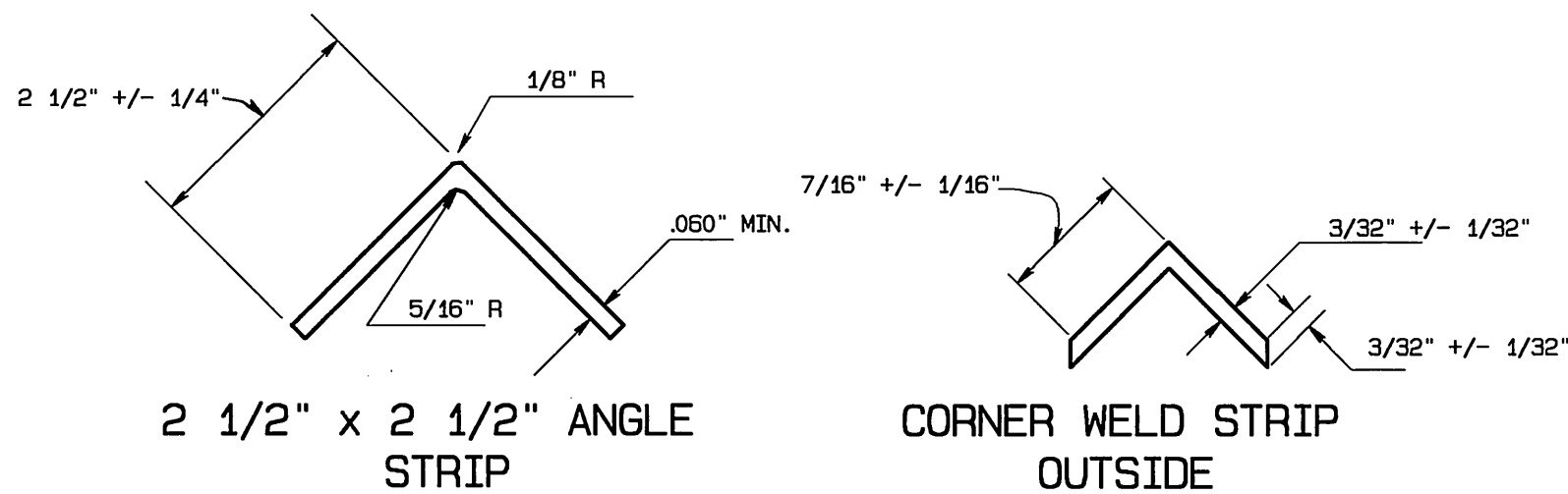
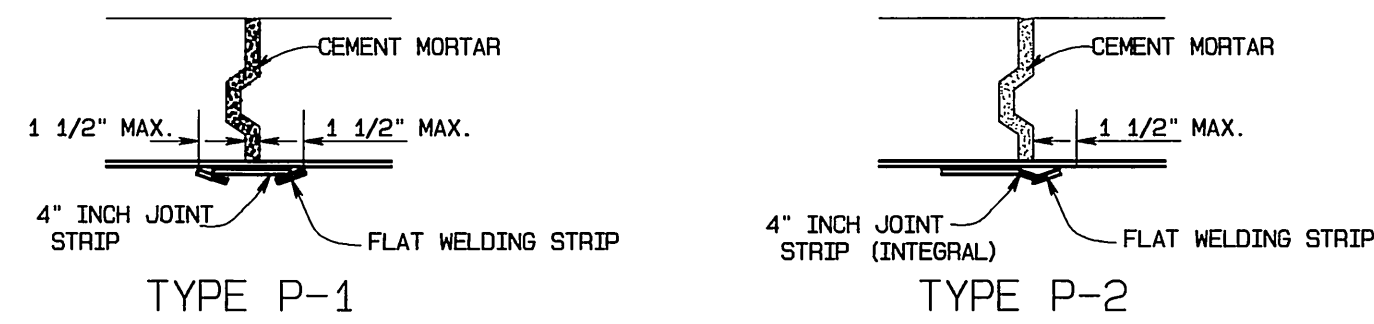
VINYL LINER JOINTS

- ① SET MANHOLE SHAFT AND GRADE RINGS IN CEMENT GROUT ON TOP OF P.V.C. LINER.
- ② T-LOCK P.V.C. LINER INSTALLED IN PIPE BY PIPE FABRICATOR.
- ③ 1 - INCH WELD STRIP
- ④ 2 1/2" x 2 1/2" ANGLE STRIP.
- ⑤ 4" +/- 1/4" JOINT STRIP

COATING AND LINING SCHEDULE

- C ALL EXPOSED INTERIOR SURFACES OF MANHOLE BASERINGS, FRAME AND COVER TO BE COATED WITH SANCON 100 EPOXY PRIMER/POLYURETHANE TOPCOAT SYSTEM PER MANUFACTURER'S RECOMMENDATIONS, OR APPROVED EQUAL.
- V ALL EXPOSED INTERIOR SURFACES OF MANHOLE SHAFT TO BE LINED WITH "T-LOCK AMER PLATE" (WHITE) AS MANUFACTURED BY AMERON PROTECTIVE COATING DIVISION OR OWNER APPROVED EQUAL.

P.V.C. LINER JOINTS



DETAILS FOR VINYL LINING

UNDERGROUND SERVICE ALERT
CALL: TOLL FREE
1-800-227-2600
TWO WORKING DAYS BEFORE YOU DIG



CITY BUSINESS TAX CERTIFICATE NO. 005751 EXP. 12-31-99
ALBERT A. WEBB ASSOCIATES
CIVIL ENGINEERS
3788 McCRAY STREET RIVERSIDE, CA 92506
(951) 686-1070
APPROVED BY: [Signature] DATE 4-6-99
R.C.E. NO. C44762

W.O. 98-360 FOR: FAIRFIELD F.B. 1998 DESIGNED BY: [Signature] CHECKED BY: [Signature] PLN CHK REF 12/10/97

CITY OF RIVERSIDE, CALIFORNIA
PUBLIC WORKS DEPARTMENT
APPROVED BY: [Signature] DATE [Signature]
PRINCIPAL ENGINEER [Signature]
PARK DEPARTMENT - -
TRAFFIC DEPARTMENT - -
P.W. ENG. MANAGER [Signature]

SEWER IMPROVEMENT PLANS
ACCOUNT NO. 98-360
DRAWING NUMBER
PARCEL MAP NO. 28919 S-1709
DETAILS
SHEET 3 OF 3
SCALE: AS SHOWN
98-360B

INDEXED 7-13-99 LHH