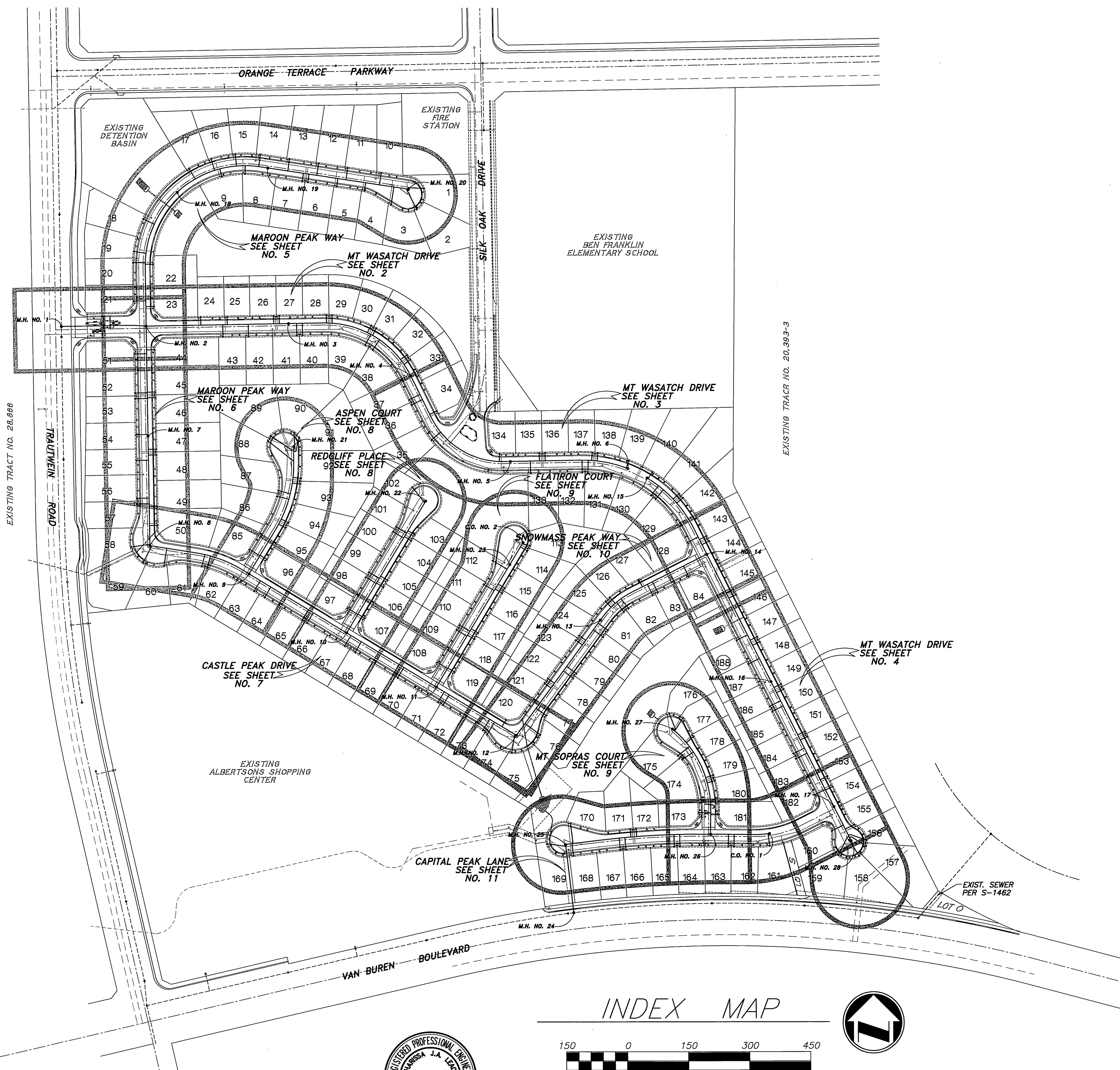


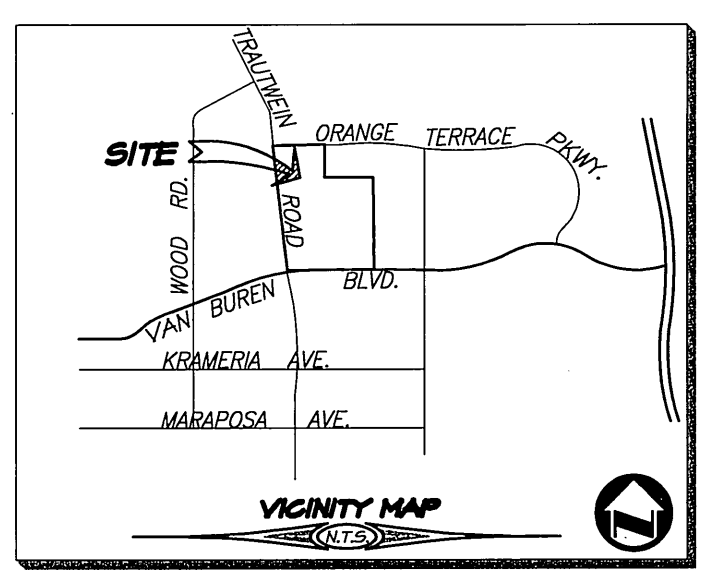
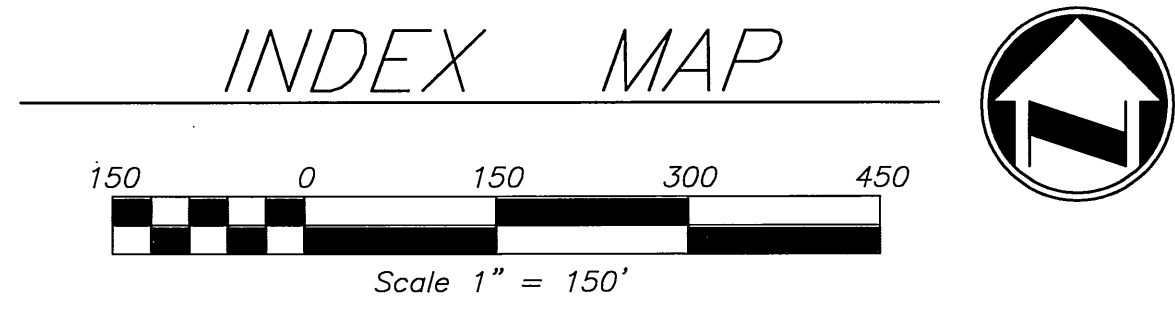
SEWER PLAN TRACT 28930



- ### SEWER CONSTRUCTION GENERAL NOTES
- CONTRACTOR IS TO VERIFY EXISTING SEWER ELEVATION PRIOR TO CONSTRUCTION
 - LOCATION OF LATERALS TO BE DETERMINED IN THE FIELD AT THE DIRECTION OF THE OWNER. AVOID CONFLICT WITH PROPOSED AND/OR EXISTING FACILITIES.
 - NO FINISH FLOOR ELEVATION SHALL BE LESS THAN 6" ABOVE THE UPPER MANHOLE RIM ELEVATION OF THE SEWER LINE SEGMENT BEING CONNECTED TO, WITHOUT HAVING A PROPER BACKWATER VALVE INSTALLED IN THE LATERAL.
 - A PLUG SHALL BE INSTALLED AND WILL REMAIN IN PLACE WHERE THE NEW SEWER CONNECTS WITH THE EXISTING SEWER UNTIL THE NEW SEWER IS ACCEPTED BY THE CITY.
 - THE SEWER CONTRACTOR SHALL ADJUST MANHOLES TO FINAL GRADE AFTER PAVING IS COMPLETED.
 - IT SHALL BE THE RESPONSIBILITY OF THE CONTRACTOR TO CLEAR THE RIGHT OF WAY IN ACCORDANCE WITH THE PROVISIONS OF LAW AS IT AFFECTS EACH UTILITY INCLUDING IRRIGATION LINES AND APPURTANCES AND AT NO COST TO THE CITY.
 - CONSTRUCTION SHALL BE IN ACCORDANCE WITH THE CITY OF RIVERSIDE DEPARTMENT OF PUBLIC WORKS, STANDARD DRAWINGS, ITS SUPPLEMENTAL NOTES AND THE STANDARD SPECIFICATIONS FOR PUBLIC WORKS CONSTRUCTION, CURRENT EDITION.
 - THE PRIVATE ENGINEER SIGNING THESE PLANS IS RESPONSIBLE FOR ASSURING THE ACCURACY AND ACCEPTABILITY OF THE WORK HEREON. IN THE EVENT OF DISCREPANCIES ARISING DURING CONSTRUCTION, THE PRIVATE ENGINEER SHALL BE RESPONSIBLE FOR DETERMINING AN ACCEPTABLE SOLUTION AND REVISING THE PLANS FOR APPROVAL BY THE CITY.
 - THE DEVELOPER SHALL BE RESPONSIBLE FOR PRESERVING OR RE-ESTABLISHING AND REFERENCING SURVEY MONUMENTS DESTROYED, DISTURBED OR BURIED AS A RESULT OF CONSTRUCTION SHOWN HEREON.
 - ALL FLAGGED ELEVATIONS SHALL BE STAKED IN THE FIELD BY THE PRIVATE ENGINEER.
 - QUANTITIES SHOWN ARE FOR INFORMATION ONLY AND THE CITY OF RIVERSIDE IS NOT RESPONSIBLE FOR THEIR ACCURACY.
 - THE CONTRACTOR SHALL CALL IN A LOCATION REQUEST TO UNDERGROUND SERVICE ALERT (USA), PHONE NUMBER 1-800-227-2600, TWO WORKING DAYS BEFORE DIGGING. NO CONSTRUCTION PERMIT WILL BE ISSUED BY THE PUBLIC WORKS DEPARTMENT INVOLVING EXCAVATION FOR UNDERGROUND FACILITIES UNLESS THE APPLICANT HAS BEEN PROVIDED AN INQUIRY IDENTIFICATION NUMBER BY USA.
 - NO PERSON SHALL PERFORM ANY CONSTRUCTION ACTIVITY OR INSTALL ANY OBJECTS WITHIN THE PUBLIC RIGHTS-OF-WAY OR EASEMENTS OF THE CITY OF RIVERSIDE WITHOUT A VALID CONSTRUCTION PERMIT OR A STREET OPENING PERMIT OR AN ENCROACHMENT PERMIT ISSUED BY THE CITY'S PUBLIC WORKS DEPARTMENT.

CONSTRUCTION NOTES

1	CONSTRUCT 8" V.C.P. SEWER LINE PER CITY OF RIVERSIDE STANDARD DRAWINGS	7,823 LF
2	CONSTRUCT 4" DIA. MANHOLE PER CITY OF RIVERSIDE STANDARD DRAWING NO. 500	28 EA
3	CONSTRUCT SEWER CLEAN OUT PER CITY OF RIVERSIDE STANDARD DRAWING NO. 580	2 EA
4	CONSTRUCT 4" DIA. SEWER LATERAL WITH CLEANOUT AT PROPERTY LINE PER CITY OF RIVERSIDE STANDARD DRAWING NO. 562 A	4,700 LF
5	BACKFLOW PREVENTER PER CITY OF RIVERSIDE STD	90 EA.



REVIEWED BY: WESTERN MUNICIPAL WATER DIST. FOR NON-INTERFERENCE COMPLIANCE SHEET 1 THROUGH 13 DATE: <u>June 13, 2000</u> CIVIL ENGINEER REC 46212 SO. CA. GAS CO. APPROVED BY: <u>[Signature]</u> DATE: <u>6-9-00</u>	CITY OF RIVERSIDE PUBLIC UTILITIES DEPT. ELECTRICAL OVERHEAD & UNDERGROUND ELECTRICAL OVERHEAD & UNDERGROUND APPROVED BY: <u>[Signature]</u> DATE: <u>6-8-00</u> PACIFIC BELL APPROVED BY: <u>[Signature]</u> DATE: <u>6/8/00</u> CHARTER COMMUNICATIONS APPROVED BY: <u>[Signature]</u> DATE: <u>6-8-00</u>
---	--

Underground Service Alert
 Call: TOLL FREE
1-800-227-2600
 TWO WORKING DAYS BEFORE YOU DIG

PLANS PREPARED BY:
adkan ENGINEERS
 CIVIL ENGINEERING SURVEYING PLANNING
 6820 AIRPORT DRIVE, RIVERSIDE, CA 92504
 TEL: (951) 588-0241 FAX: (951) 588-0599
 DATE: 6/13/00

BENCHMARK: EB-C3
 P.K. NAIL AND TAG IN THE NORTHERLY WALL OF A CATCH BASIN 2 FEET EASTERLY OF THE EASTERLY CURB OF TRAUTWEIN ROAD, 100 FEET NORTHERLY OF VAN BUREN BLVD. TRANSFER FROM VB-10-2.
 ELEVATION: 1674.947

DESIGNED BY: RH DRAWN BY: RH CHECKED BY: C-

CITY OF RIVERSIDE PUBLIC WORKS DEPARTMENT

APPROVED BY: <u>[Signature]</u> DATE: <u>7/18/00</u>	APPROVED BY: <u>[Signature]</u> DATE: <u>7-19-2000</u>
PRINCIPAL ENGINEER	PUBLIC WORKS DIRECTOR
TRAFFIC DIVISION	
P.W. ENG. MANAGER	

*AS-BUILT 6-02-03 4H
 CITY OF RIVERSIDE BUSINESS TAX CERTIFICATE NO. 058833, EXPIRATION DATE 01-01-01

SEWER IMPROVEMENT PLAN
TRACT NO. 28930
 INDEX MAP

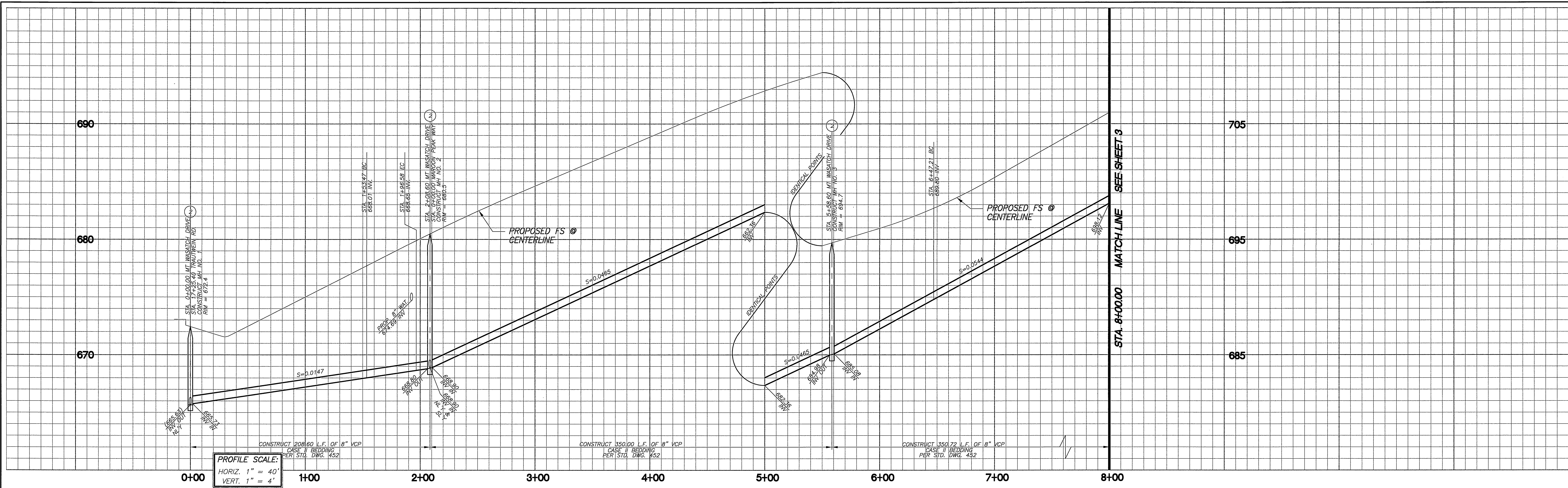
ACCOUNT NO. **S - 1728**
 SHEET **1** OF **11**

HORIZ. SCALE: AS NOTED
 J.N. 5643

INDEXED 8-10-2000 4H



PRINT DATE: 6/27/00



TRAUTWEIN ROAD
 SEE SHEET XX

CAUTION!
 CONTRACTOR TO VERIFY
 EXACT LOCATION AND ELEVATION
 PRIOR TO CONSTRUCTION

MAROON PEAK WAY
 SEE SHEET 5

MAROON PEAK WAY
 SEE SHEET 6

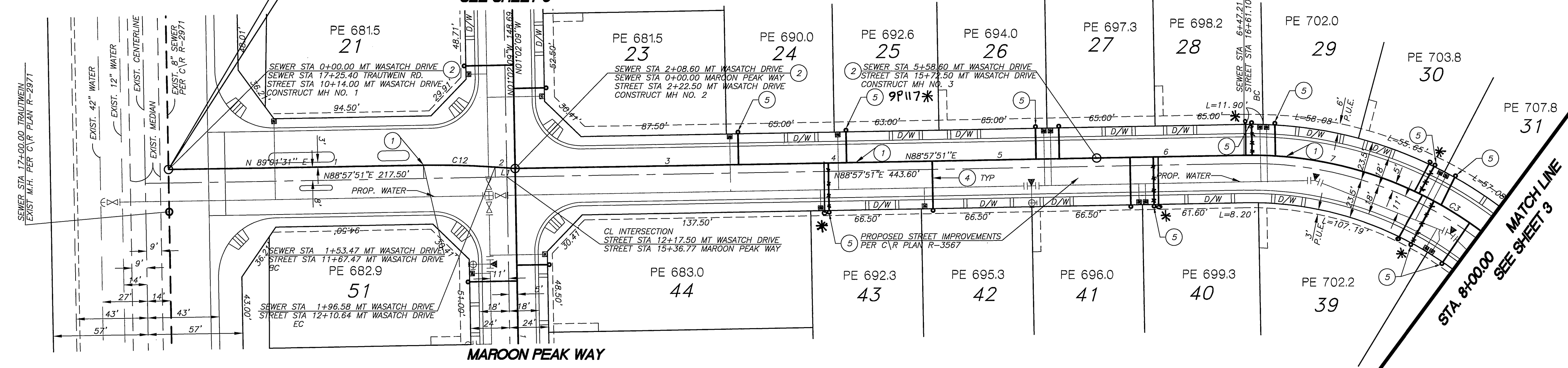
- CONSTRUCTION NOTES:**
- 1-CONSTRUCT 8" V.C.P. SEWER LINE PER CITY OF RIVERSIDE STANDARD DRAWINGS.
 - 2-CONSTRUCT 4" DIA. MANHOLE PER CITY OF RIVERSIDE STANDARD DRAWING NO. 500.
 - 3-CONSTRUCT SEWER CLEAN OUT PER CITY OF RIVERSIDE STANDARD DRAWING NO. 560.
 - 4-CONSTRUCT 4" DIA. SEWER LATERAL WITH CLEANOUT AT PROPERTY LINE PER CITY OF RIVERSIDE STANDARD DRAWING NO. 562 A.
 - 5-BACKFLOW PREVENTER PER CITY OF RIVERSIDE STD.

CURVE TABLE

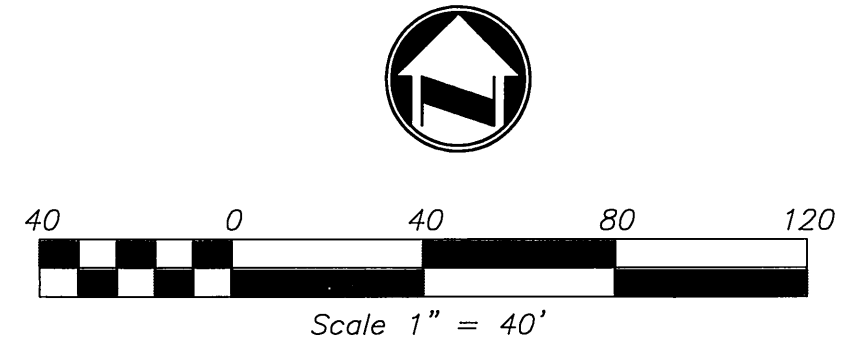
NUMBER	Δ	L'	R'	T'
C3	64°35'38"	262.11	232.50	146.96
C12	04°56'20"	21.56	500.00	43.10

LINE TABLE

NUMBER	DIRECTION	DISTANCE
L1	N 86°02'09" W	12.03'



MT. WASATCH DRIVE



Underground Service Alert
 Call: TOLL FREE
 1-800-227-2600
 TWO WORKING DAYS BEFORE YOU DIG

PLANS PREPARED BY:
adkan ENGINEERS
 CIVIL ENGINEERING SURVEYING PLANNING
 6820 AIRPORT DRIVE RIVERSIDE CA 92504
 TEL: (951) 936-0241 FAX: (951) 936-0599
 DATE: 7/19/00

BENCHMARK: EB-C3
 P.K. NAIL AND TAG IN THE NORTHERLY WALL OF A CATCH BASIN 2 FEET EASTERLY OF THE EASTERLY CURB OF TRAUTWEIN ROAD, 100 FEET NORTHERLY OF VAN BUREN BLVD. TRANSFER FROM VB-10-2.
 ELEVATION: 1674.947

MARK	REVISIONS	APPR.	DATE

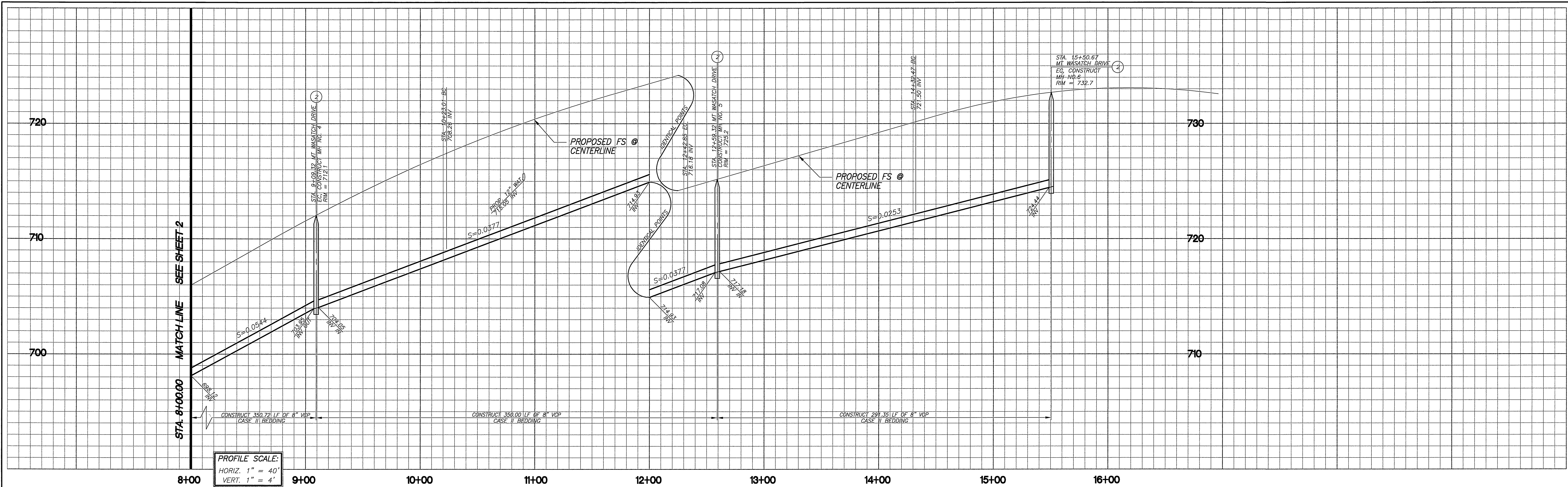
DESIGNED BY: EDDIE DRAWN BY: RH CHECKED BY: C-

CITY OF RIVERSIDE PUBLIC WORKS DEPARTMENT

APPROVED BY: DATE BY: APPROVED BY: DATE BY:
 PRINCIPAL ENGINEER 7/19/00 22 R. Mc Smith
 PARK DEPARTMENT PUBLIC WORKS DIRECTOR
 TRAFFIC DIVISION
 P.W. ENG. MANAGER 7/19/00 228 DATE 7-19-2000

SEWER IMPROVEMENT PLAN
 TRACT NO. 28930
 MT. WASATCH DRIVE
 STATION 0+00.00 TO STATION 8+00.00

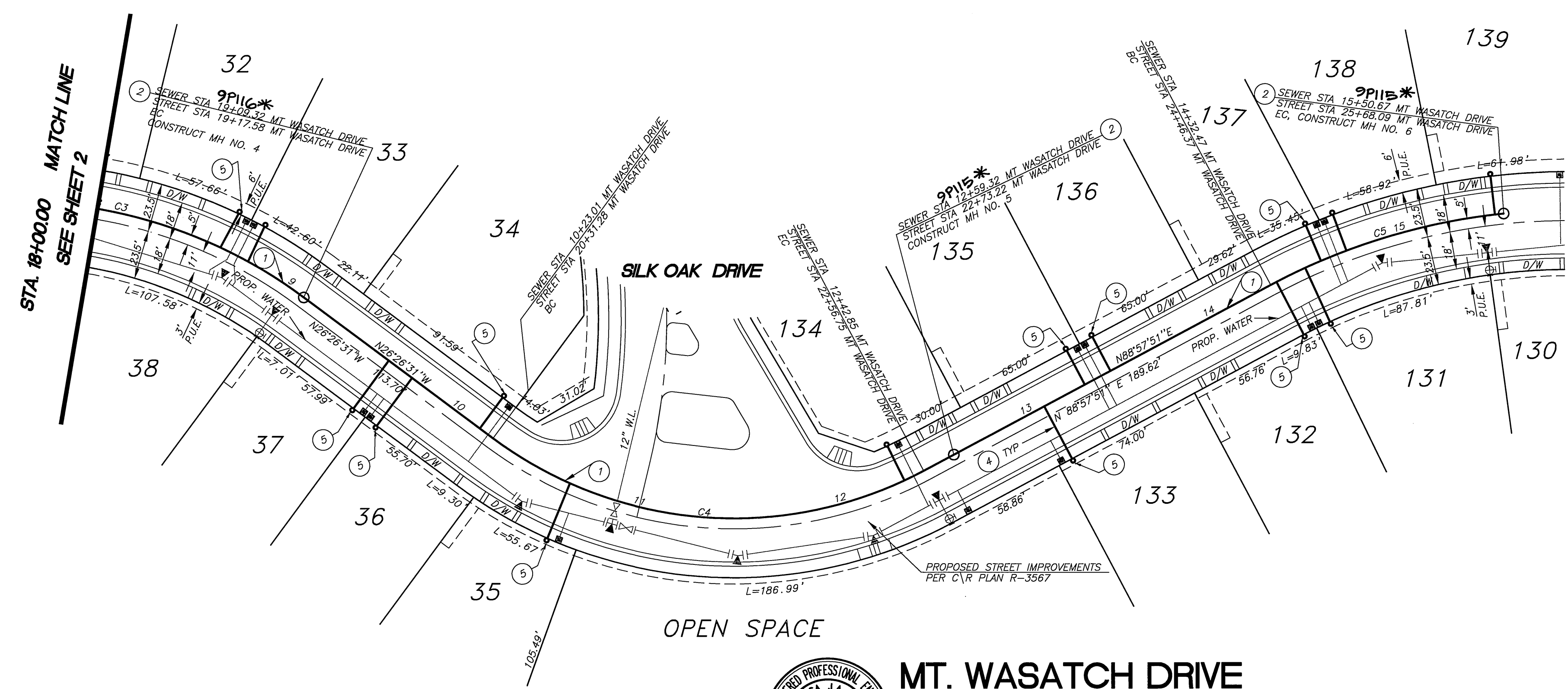
ACCOUNT NO. S - 1728
 SHEET 2 OF 11
 HORIZ. SCALE: 1" = 40' VERT. SCALE: 1" = 4' J.N. 5643



PROFILE SCALE:
 HORIZ. 1" = 40'
 VERT. 1" = 4'

CONSTRUCTION NOTES:

- 1 - CONSTRUCT 8" V.C.P. SEWER LINE PER CITY OF RIVERSIDE STANDARD DRAWINGS.
- 2 - CONSTRUCT 4' DIA. MANHOLE PER CITY OF RIVERSIDE STANDARD DRAWING NO. 500.
- 3 - CONSTRUCT SEWER CLEAN OUT PER CITY OF RIVERSIDE STANDARD DRAWING NO. 560.
- 4 - CONSTRUCT 4" DIA. SEWER LATERAL WITH CLEANOUT AT PROPERTY LINE PER CITY OF RIVERSIDE STANDARD DRAWING NO. 562 A.
- 5 - BACKFLOW PREVENTER PER CITY OF RIVERSIDE STD.

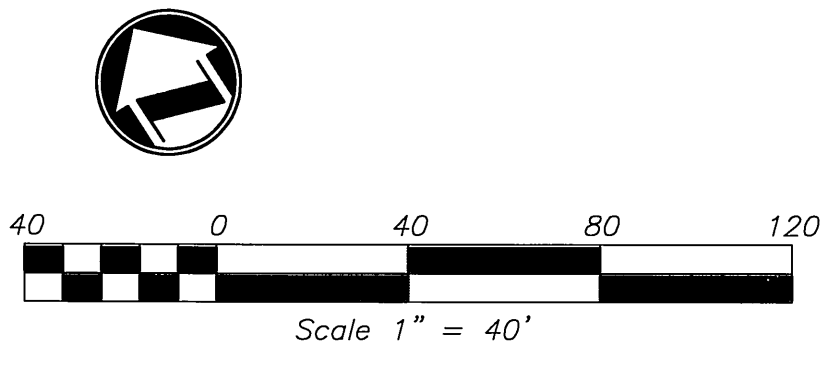


CURVE TABLE

NUMBER	Δ	L	R	T
C3	64°35'38"	262.11	232.50	146.96
C4	64°35'38"	219.84	195.00	123.26
C5	21°44'04"	115.70	305.00	58.55



MT. WASATCH DRIVE



Underground Service Alert
 Call: TOLL FREE
1-800-227-2600
 TWO WORKING DAYS BEFORE YOU DIG

PLANS PREPARED BY:
adkan ENGINEERS
 CIVIL ENGINEERING SURVEYING PLANNING
 6820 AIRPORT DRIVE, RIVERSIDE, CA 92504
 TEL: (951) 952-0241 FAX: (951) 952-0559
 DATE: 01/17/00
 UNDER THE SUPERVISION OF: J.C.E. 53390 07/30/03

BENCHMARK: EB-C3
 P.K. NAIL AND TAG IN THE NORTHERLY WALL OF A CATCH BASIN 2 FEET EASTERLY OF THE EASTERLY CURB OF TRAUTWEIN ROAD, 100 FEET NORTHERLY OF VAN BUREN BLVD. TRANSFER FROM VB-10-2.
 ELEVATION: 1674.947

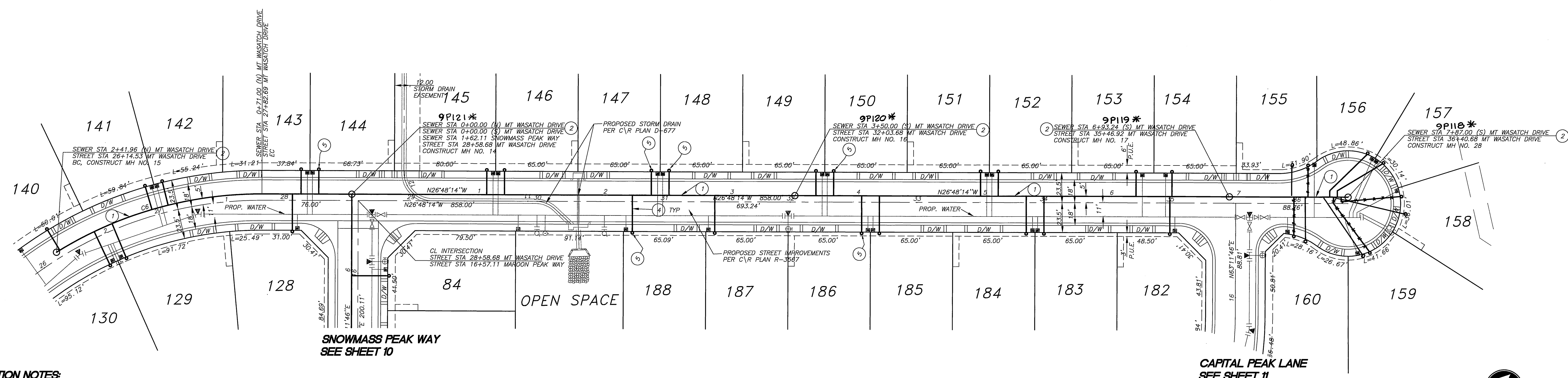
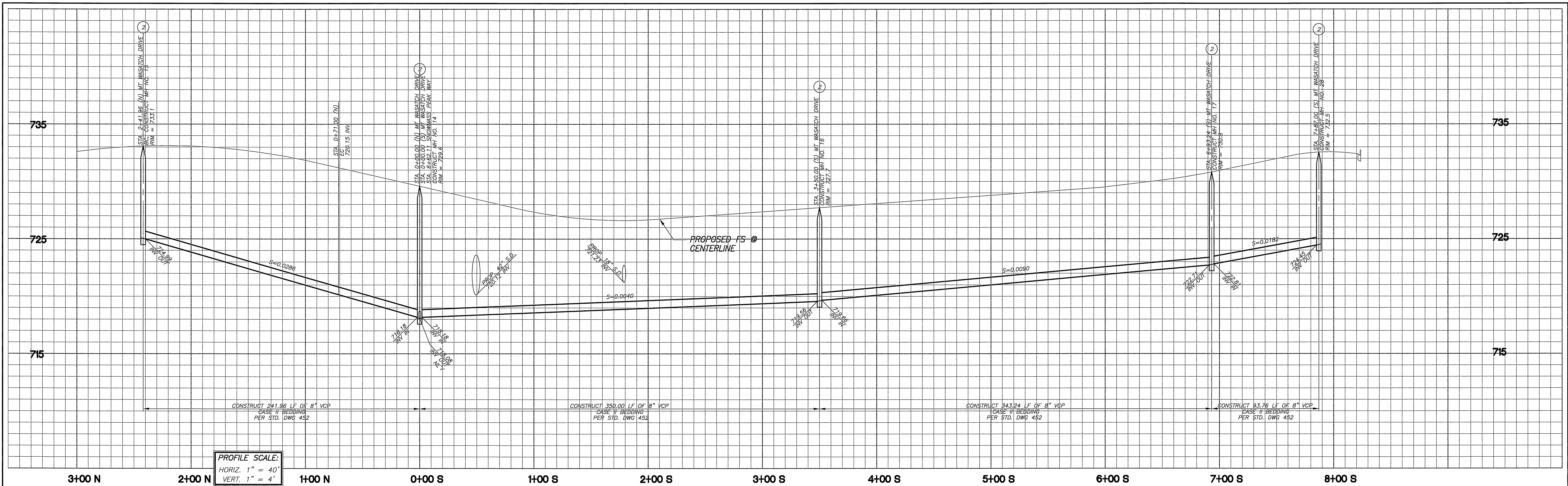
MARK	REVISIONS	APPR.	DATE

DESIGNED BY: EDDIE DRAWN BY: RH CHECKED BY: C-

CITY OF RIVERSIDE PUBLIC WORKS DEPARTMENT
 APPROVED BY: [Signature] DATE: 7/19/00
 PRINCIPAL ENGINEER
 PARK DEPARTMENT
 TRAFFIC DIVISION
 P.W. ENG. MANAGER: [Signature]

* AS-BUILT 6-02-03 LfH
SEWER IMPROVEMENT PLAN
TRACT NO. 28930
MT WASATCH DRIVE
 STATION 8+00.00 TO STATION 15+50.67
 HORIZ. SCALE: 1" = 40' VERT. SCALE: 1" = 4'
 ACCOUNT NO. S - 1728
 SHEET 3 OF 11
 J.N. 5643

INDEXED 8-10-2000 LfH



- CONSTRUCTION NOTES:**
- 1-CONSTRUCT 8" V.C.P. SEWER LINE PER CITY OF RIVERSIDE STANDARD DRAWINGS.
 - 2-CONSTRUCT 4" DIA. MANHOLE PER CITY OF RIVERSIDE STANDARD DRAWING NO. 500.
 - 3-CONSTRUCT SEWER CLEAN OUT PER CITY OF RIVERSIDE STANDARD DRAWING NO. 560.
 - 4-CONSTRUCT 4" DIA. SEWER LATERAL WITH CLEANOUT AT PROPERTY LINE PER CITY OF RIVERSIDE STANDARD DRAWING NO. 562 A.
 - 5-BACKFLOW PREVENTER PER CITY OF RIVERSIDE STD.

CURVE TABLE

NUMBER	A=	L=	R=	T=
C6	32'06"58"	170.96	305.00	87.79



Underground Service Alert
 Call: TOLL FREE
 1-800-227-2600
 TWO WORKING DAYS BEFORE YOU DIG

PLANS PREPARED BY:
adkan ENGINEERS
 CIVIL ENGINEERING SURVEYING PLANNING
 6820 AIRPORT DRIVE, RIVERSIDE, CA 92504
 TEL: (951) 988-0241 FAX: (951) 988-0599
 DATE: 7/19/00
 UNDER THE SUPERVISION OF: J.C.E. 53390 6/30/03

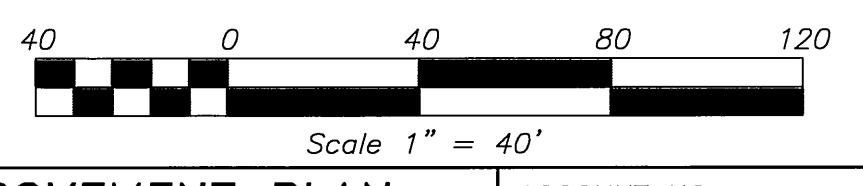
BENCHMARK: EB-C3
 P.K. NAIL AND TAG IN THE NORTHERLY WALL OF A CATCH BASIN 2 FEET EASTERLY OF THE EASTERLY CURB OF TRAUTWEIN ROAD, 100 FEET NORTHERLY OF VAN BUREN BLVD. TRANSFER FROM VB-10-2.
 ELEVATION: 1674.947
 DESIGNED BY: EDDIE DRAWN BY: RH CHECKED BY: C-

CITY OF RIVERSIDE PUBLIC WORKS DEPARTMENT

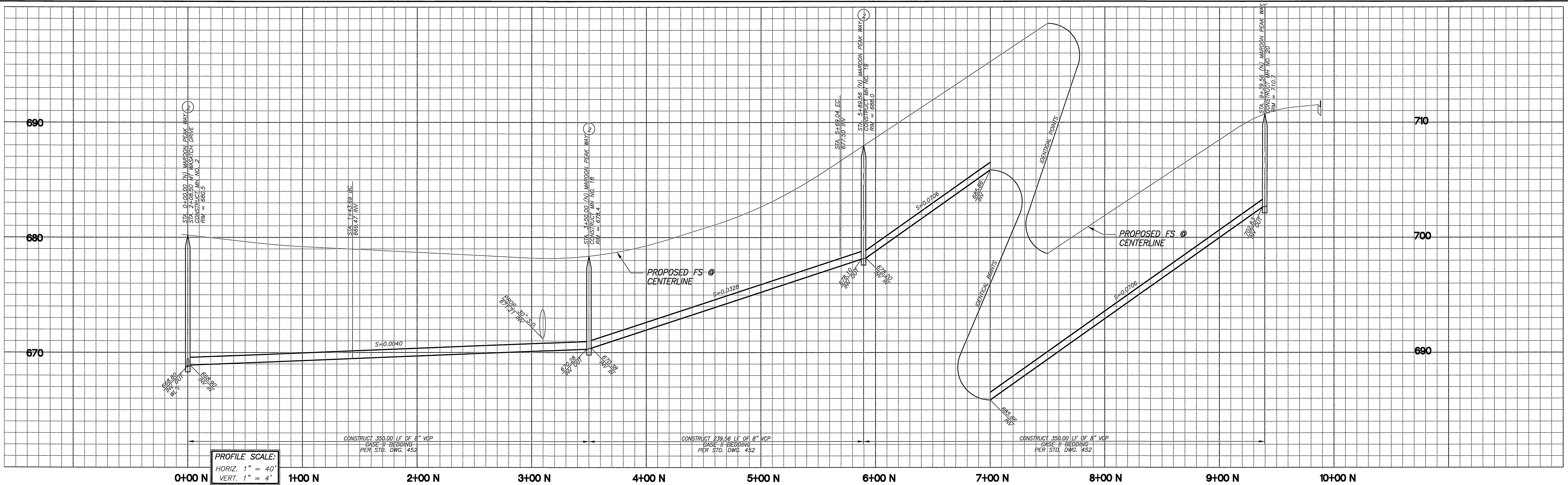
APPROVED BY	DATE	BY
PRINCIPAL ENGINEER	7/19/00	R. Mc Smith
PARK-DEPARTMENT		PUBLIC WORKS DIRECTOR
TRAFFIC-DIVISION		
P.W. ENG. MANAGER	7/19/00	7/19/00

SEWER IMPROVEMENT PLAN
TRACT NO. 28930
 MT. WASATCH DRIVE
 STATION 2+41.96 (N) TO STATION 7+87.00 (S)
 HORIZ. SCALE: 1" = 40' VERT. SCALE: 1" = 4'

ACCOUNT NO.
S - 1728
 SHEET **4** OF **11**
 J.N. 5643



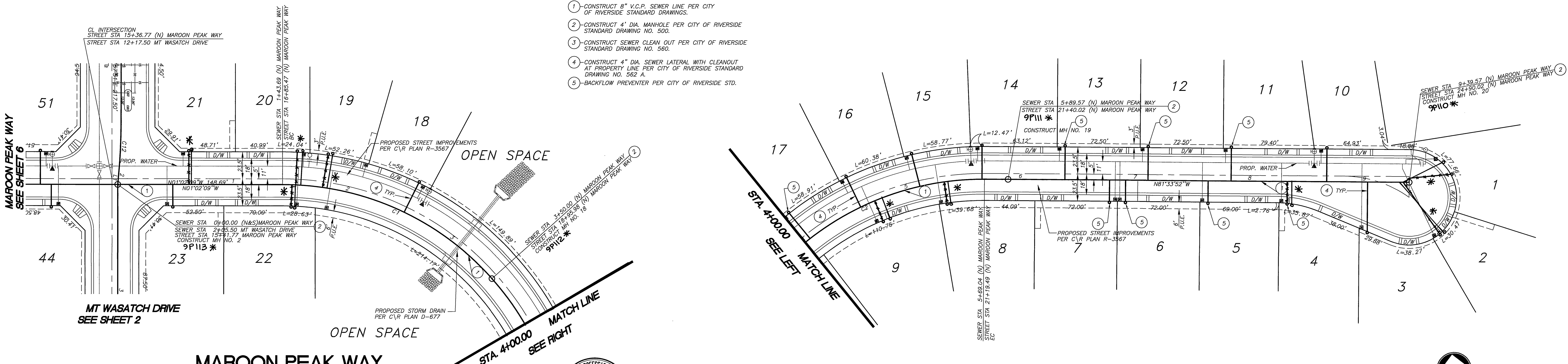
INDEXED 8-10-2000 Lfh



PROFILE SCALE:
 HORIZ. 1" = 40'
 VERT. 1" = 4'

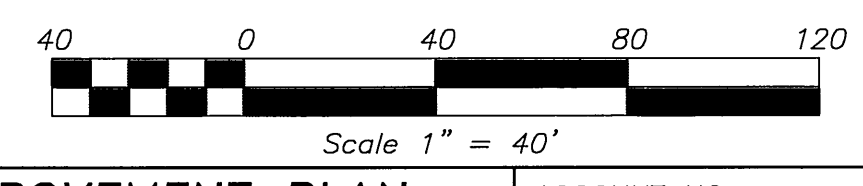
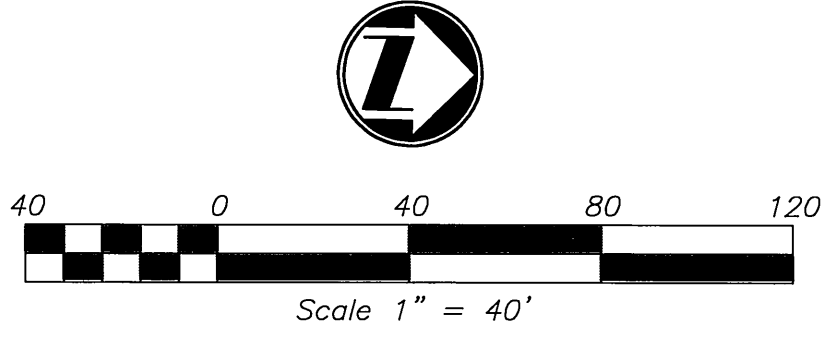
CONSTRUCTION NOTES:

- 1- CONSTRUCT 8" V.C.P. SEWER LINE PER CITY OF RIVERSIDE STANDARD DRAWINGS.
- 2- CONSTRUCT 4' DIA. MANHOLE PER CITY OF RIVERSIDE STANDARD DRAWING NO. 500.
- 3- CONSTRUCT SEWER CLEAN OUT PER CITY OF RIVERSIDE STANDARD DRAWING NO. 560.
- 4- CONSTRUCT 4" DIA. SEWER LATERAL WITH CLEANOUT AT PROPERTY LINE PER CITY OF RIVERSIDE STANDARD DRAWING NO. 562 A.
- 5- BACKFLOW PREVENTER PER CITY OF RIVERSIDE STD.



CURVE TABLE

NUMBER	Δ=	L=	R=	T=
C1	48°14'48"	206.31	245.00	109.71
C2	51°13'29"	219.04	245.00	117.45



Underground Service Alert
 Call: TOLL FREE
1-800-227-2600
 TWO WORKING DAYS BEFORE YOU DIG

PLANS PREPARED BY:
adkan ENGINEERS
 CIVIL ENGINEERING SURVEYING PLANNING
 6820 AIRPORT DRIVE, RIVERSIDE, CA 92504
 TEL: (951) 514-0241 FAX: (951) 514-0599
 DATE: 6/17/00
 UNDER THE SUPERVISION OF: R.C.E. 53390 6/30/03

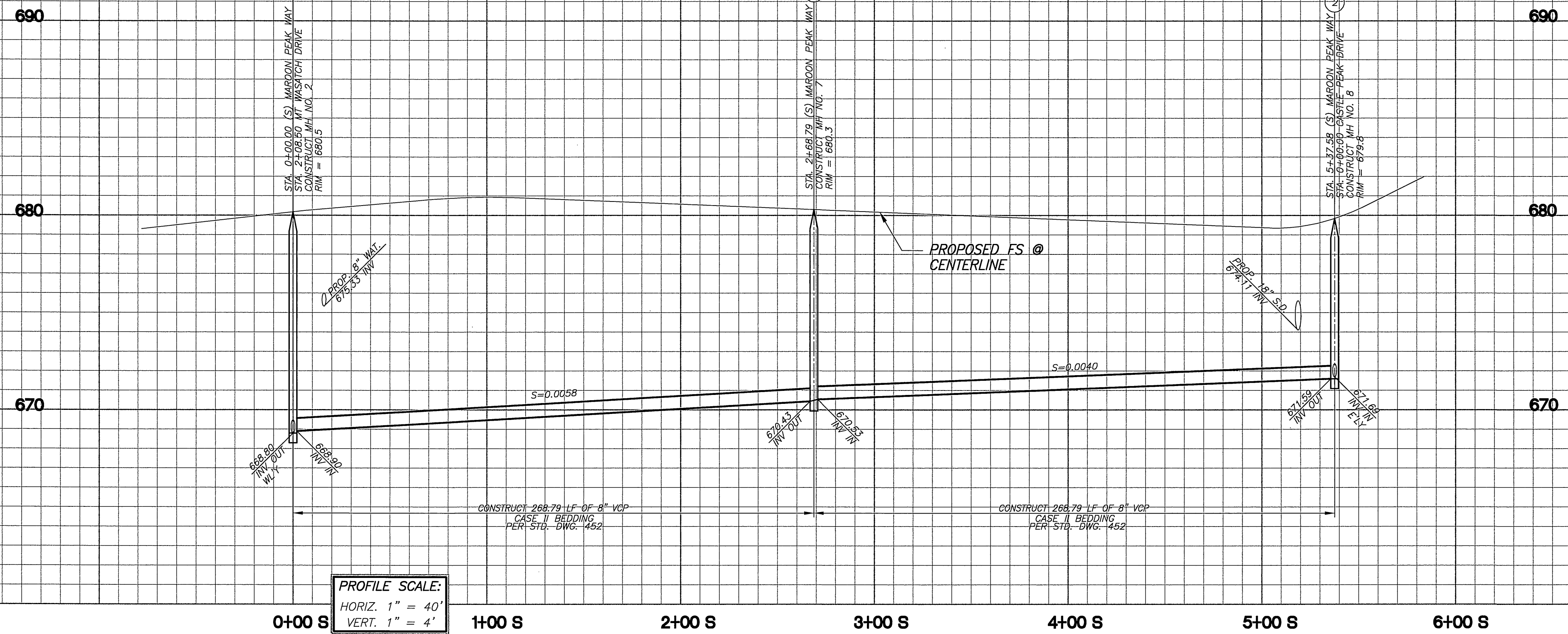
BENCHMARK: EB-C3
 P.K. NAIL AND TAG IN THE NORTHERLY WALL OF A CATCH BASIN 2 FEET EASTERLY OF THE EASTERLY CURB OF TRAUTWEIN ROAD, 100 FEET NORTHERLY OF VAN BUREN BLVD. TRANSFER FROM VB-10-2.
 ELEVATION: 1674.947

CITY OF RIVERSIDE PUBLIC WORKS DEPARTMENT
 APPROVED BY: [Signature] DATE: 7/19/00
 PRINCIPAL ENGINEER: R. Mc Dault
 PUBLIC WORKS DIRECTOR
 P.W. ENG. MANAGER: [Signature] DATE: 7-19-00

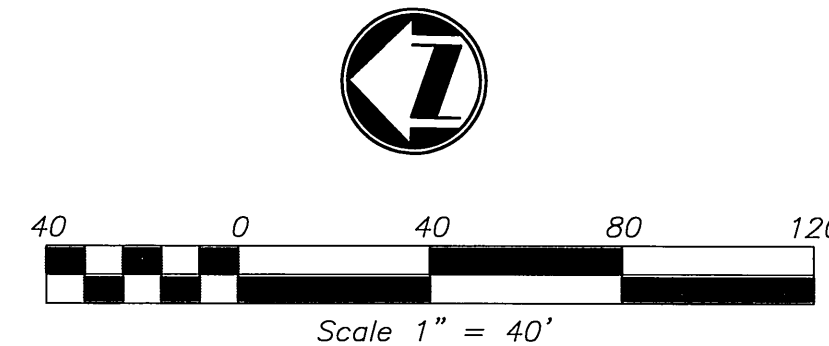
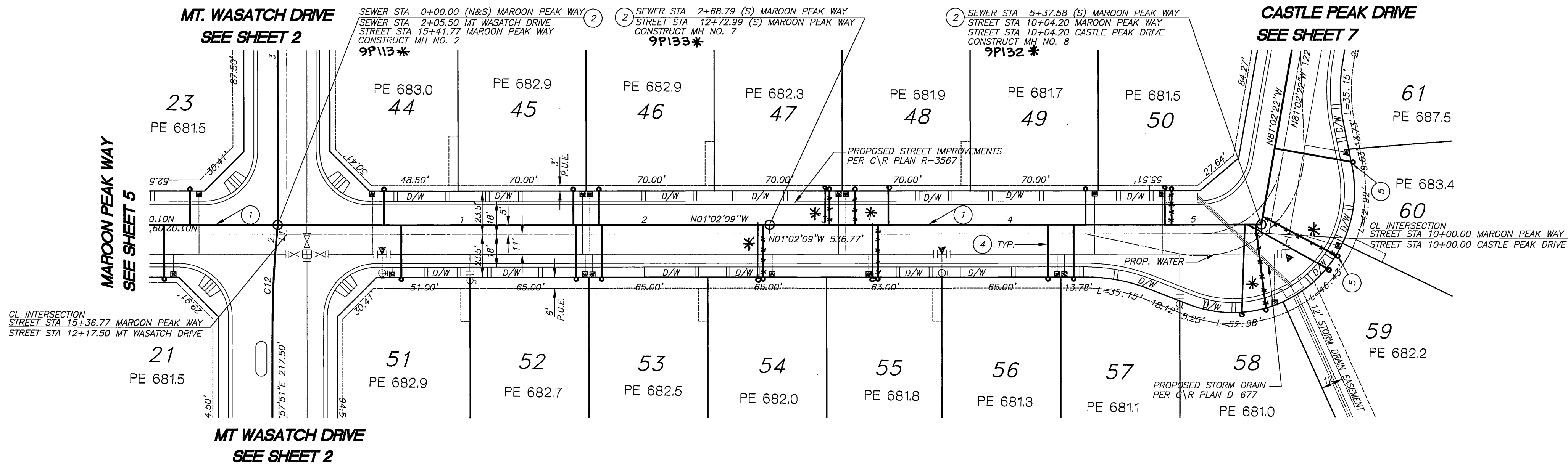
SEWER IMPROVEMENT PLAN
TRACT NO. 28930
MAROON PEAK WAY
 STATION 0+00.00 "N" TO STATION 9+39.57 "N"
 ACCOUNT NO. S - 1728
 SHEET 5 OF 11
 HORIZ. SCALE: 1" = 40' VERT. SCALE: 1" = 4'
 J.N. 5643

INDEXED 8-10-2000 LH

PC - 4233-5
 Plot Date: 6/27/00



- CONSTRUCTION NOTES**
- 1- CONSTRUCT 8" V.C.P. SEWER LINE PER CITY OF RIVERSIDE STANDARD DRAWINGS.
 - 2- CONSTRUCT 4" DIA. MANHOLE PER CITY OF RIVERSIDE STANDARD DRAWING NO. 500.
 - 3- CONSTRUCT SEWER CLEAN OUT PER CITY OF RIVERSIDE STANDARD DRAWING NO. 560.
 - 4- CONSTRUCT 4" DIA. SEWER LATERAL WITH CLEANOUT AT PROPERTY LINE PER CITY OF RIVERSIDE STANDARD DRAWING NO. 562 A.
 - 5- BACKFLOW PREVENTER PER CITY OF RIVERSIDE STD.



Underground Service Alert
Call: TOLL FREE
1-800-227-2600
TWO WORKING DAYS BEFORE YOU DIG

PLANS PREPARED BY:
adkan ENGINEERS
CIVIL ENGINEERING SURVEYING PLANNING
6820 AIRPORT DRIVE, RIVERSIDE, CA 92504
TEL: (951) 955-0241 FAX: (951) 955-0599
DATE: 07/17/00
UNDER THE SUPERVISION OF: *[Signature]* P.E. 53390 6/30/03

BENCHMARK: EB-C3
P.K. NAIL AND TAG IN THE NORTHERLY WALL OF A CATCH BASIN 2 FEET EASTERLY OF THE EASTERLY CURB OF TRAUTWEIN ROAD, 100 FEET NORTHERLY OF VAN BUREN BLVD. TRANSFER FROM VB-10-2.
ELEVATION: 1674.947

MARK	REVISIONS	APPR.	DATE
DESIGNED BY: EDDIE	DRAWN BY: RH	CHECKED BY: C-	

CITY OF RIVERSIDE PUBLIC WORKS DEPARTMENT

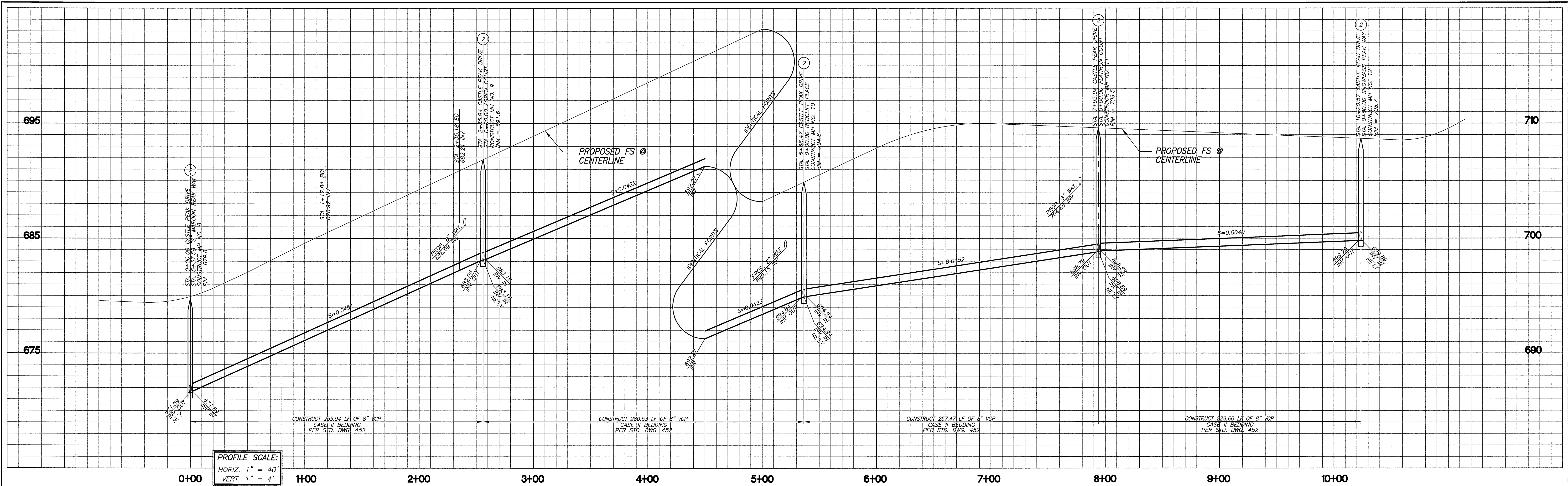
APPROVED BY	DATE	BY	APPROVED BY
PRINCIPAL ENGINEER	7/19/00	SE	R. M. Burt
PARK DEPARTMENT			PUBLIC WORKS DIRECTOR
TRAFFIC DIVISION			
P.W. ENG. MANAGER	7/19/00	TB	
			DATE 7-19-2000

*AS-BUILT 6-02-03 LTH

SEWER IMPROVEMENT PLAN
TRACT NO. 28930
MAROON PEAK WAY
STATION 0+00.00"S TO STATION 5+37.58"S

ACCOUNT NO. S - 1728
SHEET 6 OF 11
HORIZ. SCALE: 1" = 40' VERT. SCALE: 1" = 4'
J.N. 5643

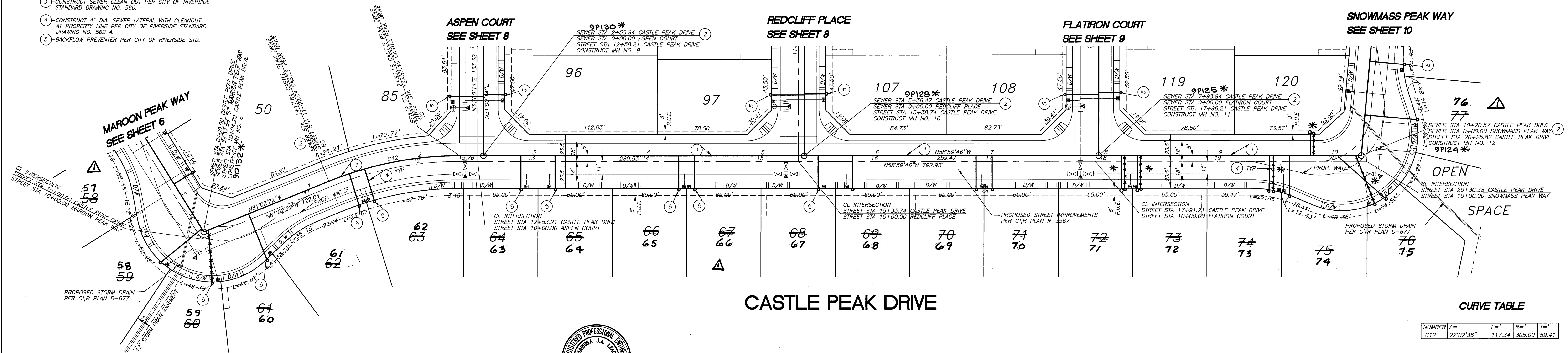
INDEXED 8-10-2000 LTH



PROFILE SCALE:
 HORIZ. 1" = 40'
 VERT. 1" = 4'

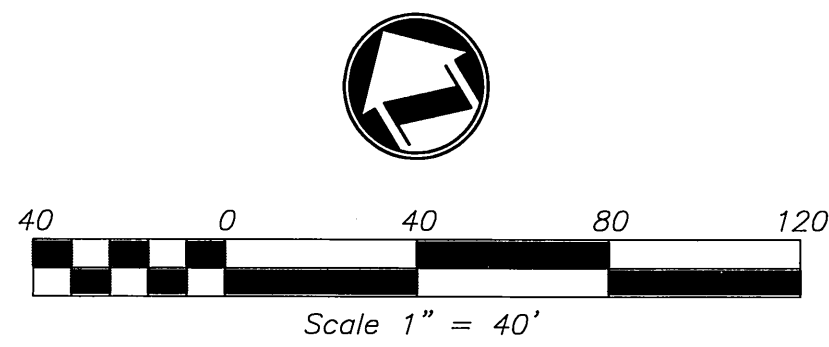
CONSTRUCTION NOTES

- 1) CONSTRUCT 8" V.C.P. SEWER LINE PER CITY OF RIVERSIDE STANDARD DRAWINGS.
- 2) CONSTRUCT 4' DIA. MANHOLE PER CITY OF RIVERSIDE STANDARD DRAWING NO. 500.
- 3) CONSTRUCT SEWER CLEAN OUT PER CITY OF RIVERSIDE STANDARD DRAWING NO. 560.
- 4) CONSTRUCT 4" DIA. SEWER LATERAL WITH CLEANOUT AT PROPERTY LINE PER CITY OF RIVERSIDE STANDARD DRAWING NO. 562 A.
- 5) BACKFLOW PREVENTER PER CITY OF RIVERSIDE STD.



CURVE TABLE

NUMBER	Δ	L'	R'	T'
C12	22°02'36"	117.34	305.00	59.41



Underground Service Alert
 Call: TOLL FREE
1-800-227-2600
 TWO WORKING DAYS BEFORE YOU DIG

PLANS PREPARED BY:
adkan ENGINEERS
 CIVIL ENGINEERING SURVEYING PLANNING
 6820 AIRPORT DRIVE, RIVERSIDE, CA 92504
 TEL: (951) 945-0241 FAX: (951) 945-0599
 DATE: 10/16/00

BENCHMARK: EB-03
 P.K. NAIL AND TAG IN THE NORTHERLY WALL OF A CATCH BASIN 2 FEET EASTERLY OF THE EASTERLY CURB OF TRAUTWEIN ROAD, 100 FEET NORTHERLY OF VAN BUREN BLVD. TRANSFER FROM VB-10-2.
 ELEVATION: 1674.947

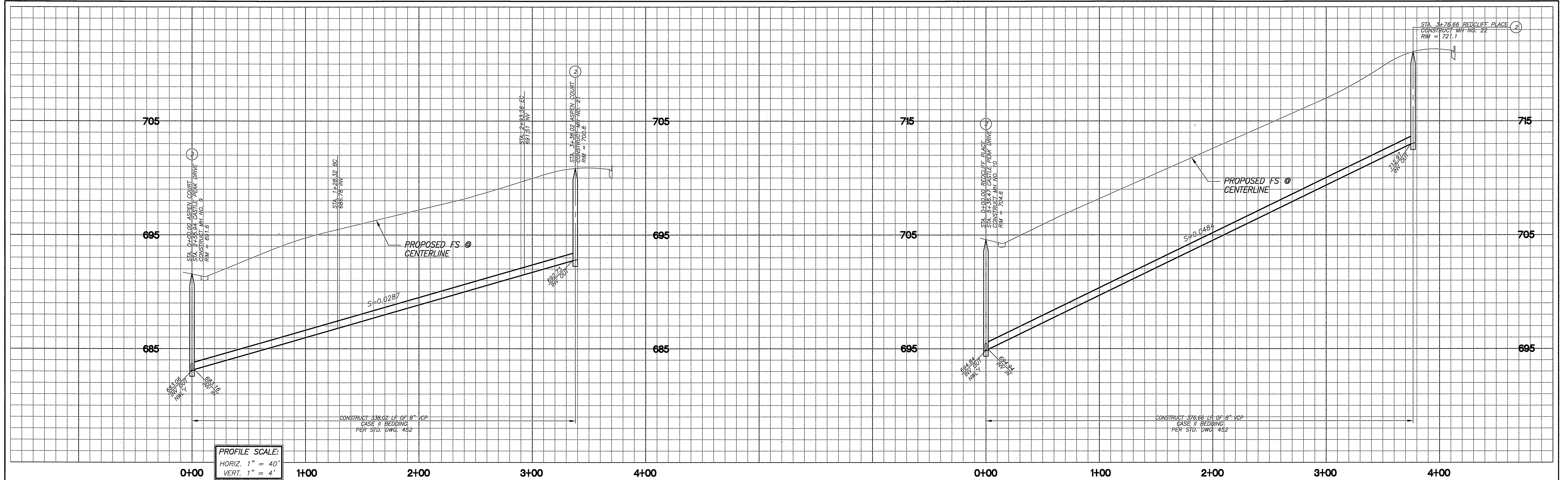
DESIGNED BY: EDDIE DRAWN BY: RH CHECKED BY: C-

CITY OF RIVERSIDE PUBLIC WORKS DEPARTMENT
 APPROVED BY: [Signature] DATE: 7/19/00
 PRINCIPAL ENGINEER
 PARK DEPARTMENT
 P.W. ENG. MANAGER

*AS-BUILT 6-02-03 L/H
SEWER IMPROVEMENT PLAN
TRACT NO. 28930
CASTLE PEAK DRIVE
 STATION 0+00.00 TO STATION 10+20.57
 HORIZ. SCALE: 1" = 40' VERT. SCALE: 1" = 4'

ACCOUNT NO. S - 1728
 SHEET 7 OF 11
 J.N. 5643.7

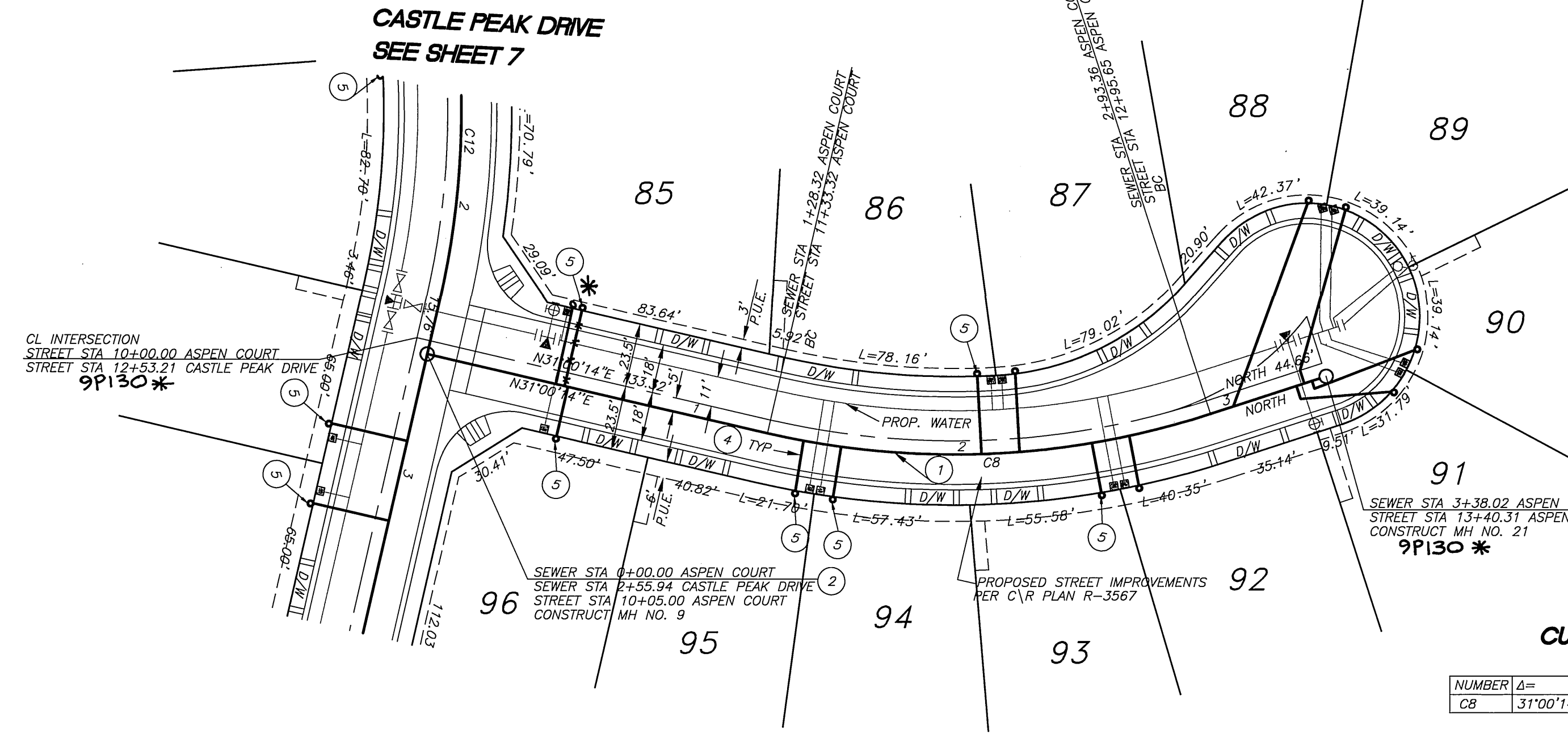
INDEXED 8-10-2000 L/H



PROFILE SCALE:
 HORIZ. 1" = 40'
 VERT. 1" = 4'

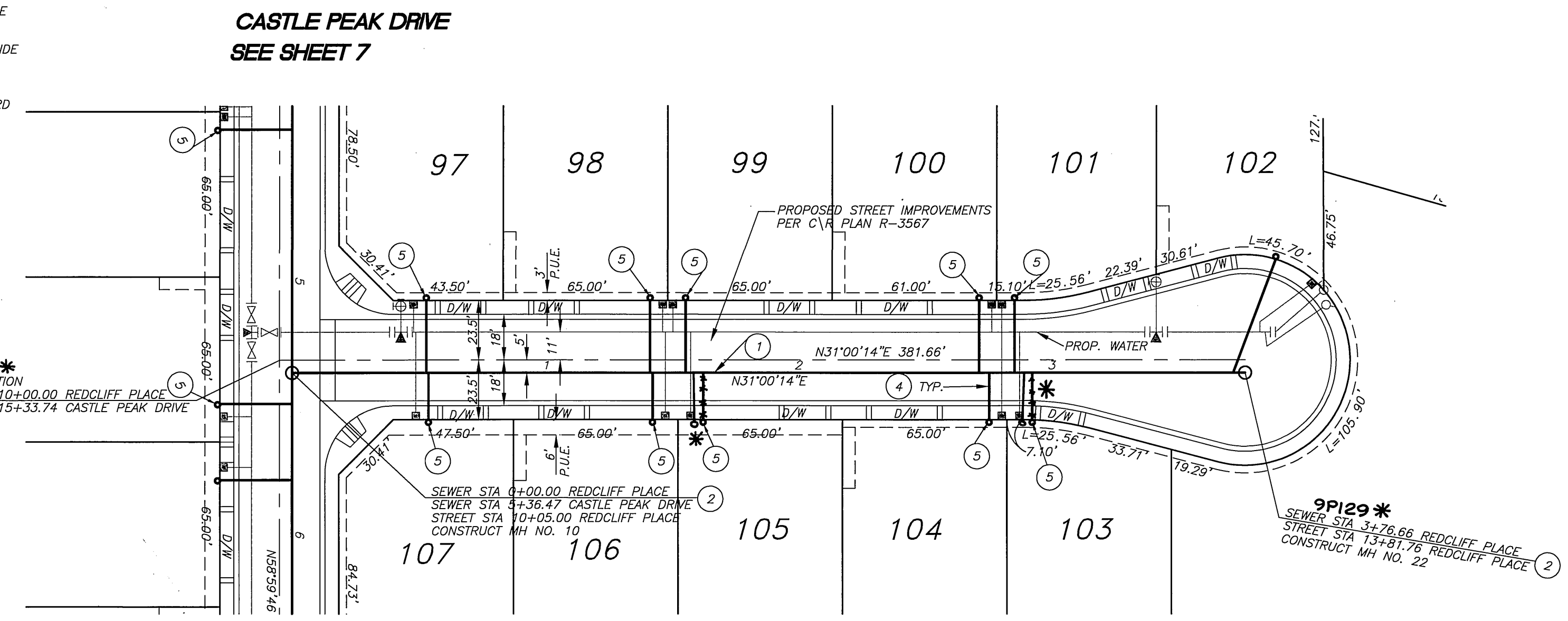
CONSTRUCTION NOTES:

- 1- CONSTRUCT 8" V.C.P. SEWER LINE PER CITY OF RIVERSIDE STANDARD DRAWINGS.
- 2- CONSTRUCT 4" DIA. MANHOLE PER CITY OF RIVERSIDE STANDARD DRAWING NO. 500.
- 3- CONSTRUCT SEWER CLEAN OUT PER CITY OF RIVERSIDE STANDARD DRAWING NO. 560.
- 4- CONSTRUCT 4" DIA. SEWER LATERAL WITH CLEANOUT AT PROPERTY LINE PER CITY OF RIVERSIDE STANDARD DRAWING NO. 562 A.
- 5- BACKFLOW PREVENTER PER CITY OF RIVERSIDE STD.

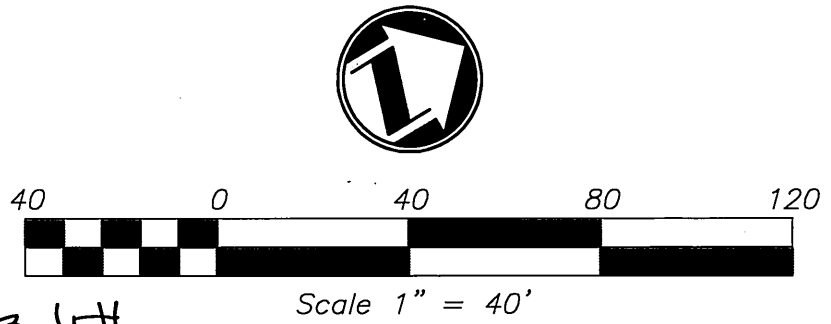
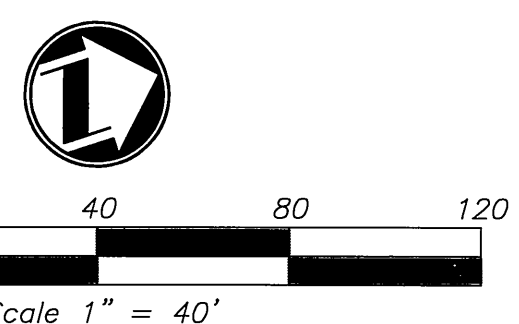


CURVE TABLE

NUMBER	Δm	Lm	Rm	Tm
CB	31°00'14"	165.04	305.00	84.60



REDCLIFF PLACE



* AS-BUILT 6-2-03 L/H

Underground Service Alert
 Call: TOLL FREE
 1-800-227-2600
 TWO WORKING DAYS BEFORE YOU DIG

PLANS PREPARED BY:
adkan ENGINEERS
 CIVIL ENGINEERING SURVEYING PLANNING
 6820 AIRPORT DRIVE, RIVERSIDE, CA 92504
 TEL: (951) 509-0241 FAX: (951) 509-0599
 DATE: 4/17/00
 UNDER THE SUPERVISION OF: [Signature]
 REG. NO. 53390 6/30/03

BENCHMARK: EB-C3
 P.K. NAIL AND TAG IN THE NORTHERLY WALL OF A CATCH BASIN 2 FEET EASTERLY OF THE EASTERLY CURB OF TRAUTWEIN ROAD, 100 FEET NORTHERLY OF VAN BURDEN BLVD. TRANSFER FROM VB-10-2.
 ELEVATION: 1674.947

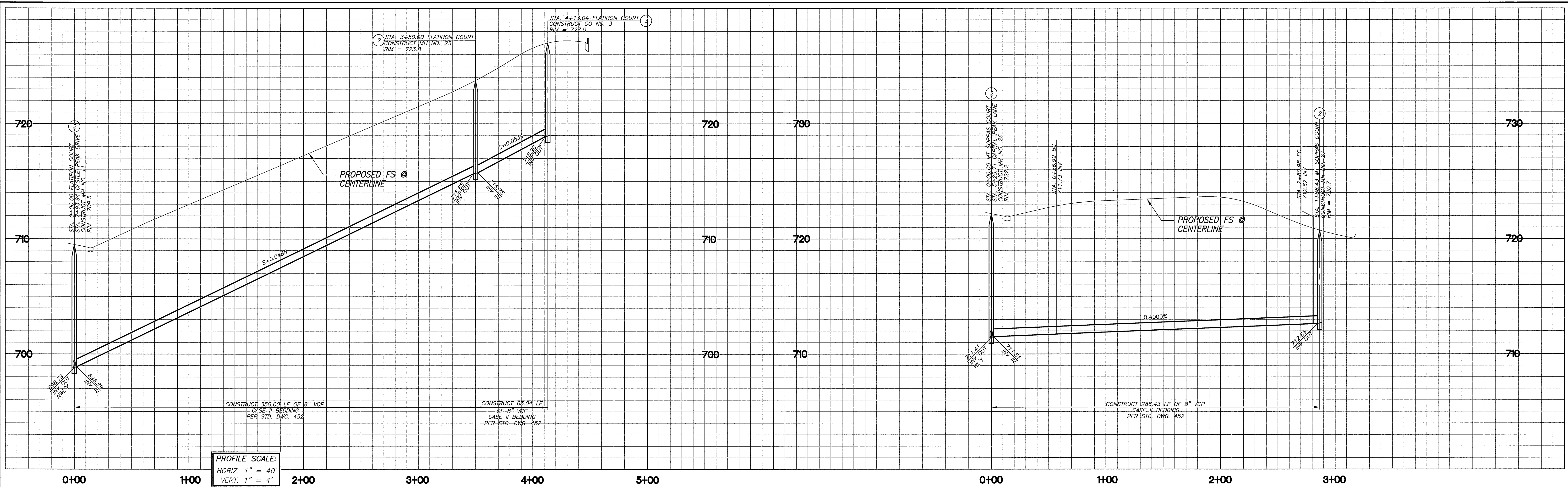
MARK	REVISIONS	APPR.	DATE

DESIGNED BY: EDDIE DRAWN BY: RH CHECKED BY: C-

CITY OF RIVERSIDE PUBLIC WORKS DEPARTMENT
 APPROVED BY: [Signature] DATE: 7/19/00
 PRINCIPAL ENGINEER: [Signature] DATE: 7/19/00
 PARK DEPARTMENT: [Signature] DATE: 7/19/00
 TRAFFIC DIVISION: [Signature] DATE: 7/19/00
 P.W. ENG. MANAGER: [Signature] DATE: 7/19/00

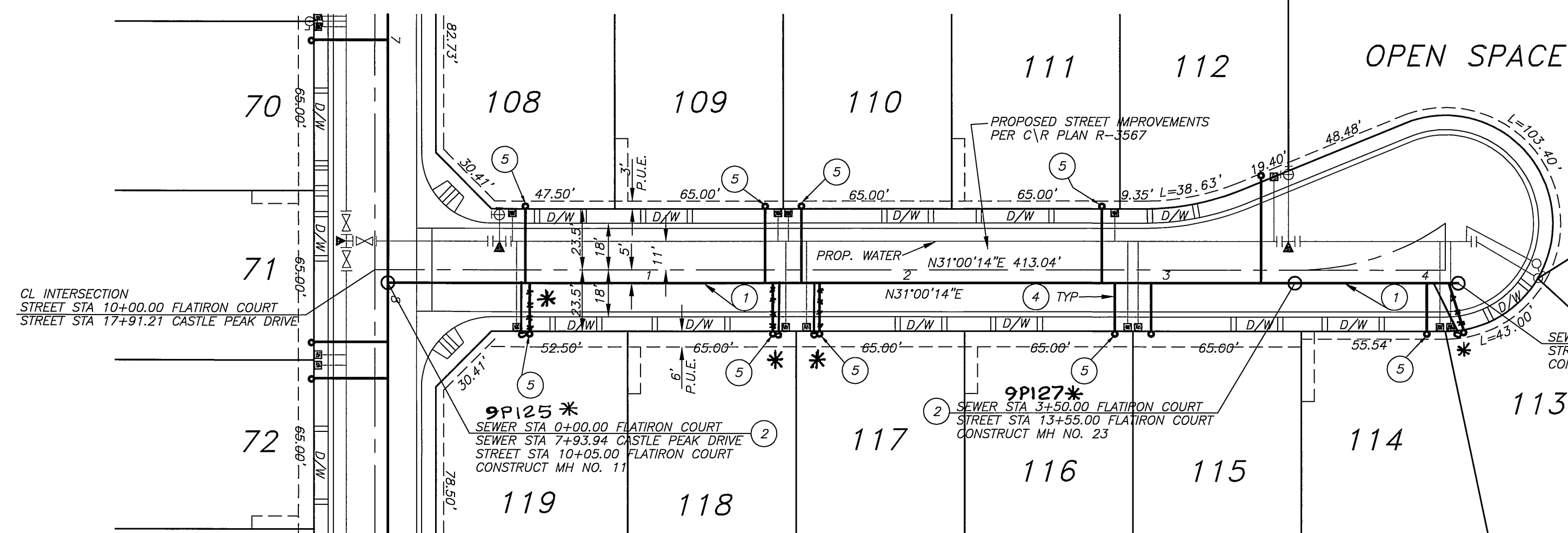
SEWER IMPROVEMENT PLAN		ACCOUNT NO.
TRACT NO. 28930		S - 1728
ASPEN COURT REDCLIFF PLACE		SHEET 8 OF 11
HORIZ. SCALE: 1" = 40' VERT. SCALE: 1" = 4'		J.N. 5643

INDEXED 8-10-2000 L/H



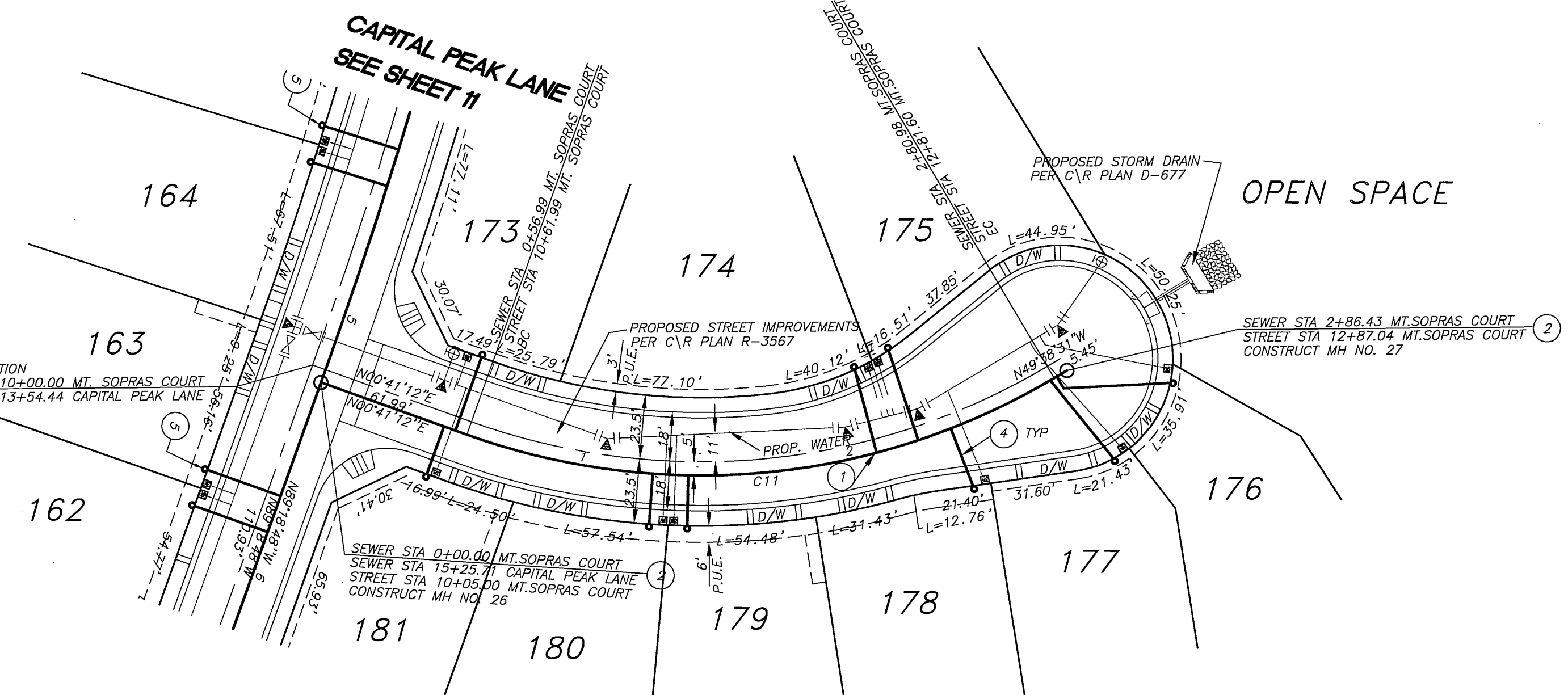
PROFILE SCALE:
 HORIZ. 1" = 40'
 VERT. 1" = 4'

CASTLE PEAK DRIVE
 SEE SHEET 7



CURVE TABLE

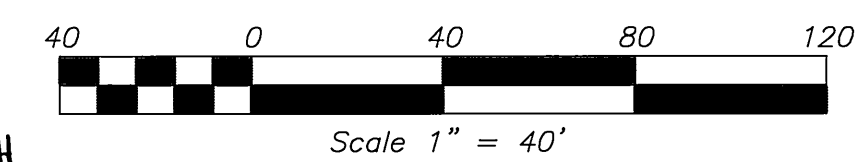
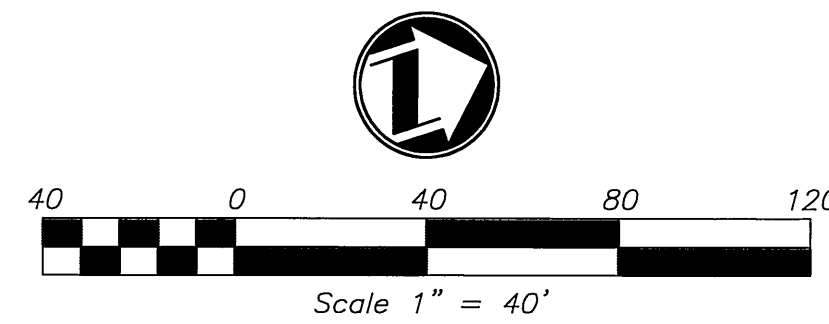
NUMBER	Δ	L'	R'	T'
C11	50°19'43"	223.99	255.00	119.80



- CONSTRUCTION NOTES:**
- 1- CONSTRUCT 8" V.C.P. SEWER LINE PER CITY OF RIVERSIDE STANDARD DRAWINGS.
 - 2- CONSTRUCT 4' DIA. MANHOLE PER CITY OF RIVERSIDE STANDARD DRAWING NO. 500.
 - 3- CONSTRUCT SEWER CLEAN OUT PER CITY OF RIVERSIDE STANDARD DRAWING NO. 560.
 - 4- CONSTRUCT 4" DIA. SEWER LATERAL WITH CLEANOUT AT PROPERTY LINE PER CITY OF RIVERSIDE STANDARD DRAWING NO. 562 A.
 - 5- BACKFLOW PREVENTER PER CITY OF RIVERSIDE STD.

FLATIRON COURT

* HAS NOT BEEN INSPECTED YET.
 MT. SOPRAS COURT



Underground Service Alert
 Call: TOLL FREE
 1-800-227-2600
 TWO WORKING DAYS BEFORE YOU DIG

PLANS PREPARED BY:
adkan ENGINEERS
 CIVIL ENGINEERING SURVEYING PLANNING
 6820 AIRPORT DRIVE, RIVERSIDE, CA 92504
 TEL: (951) 508-0241 FAX: (951) 508-0599
 DATE: 7/19/00

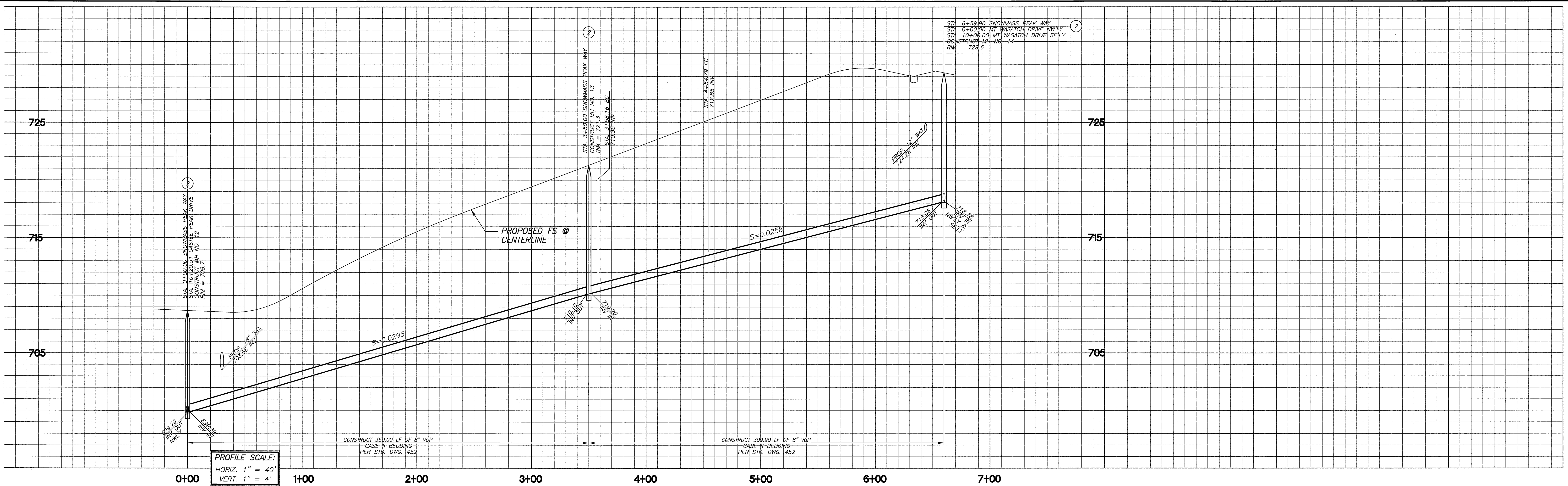
BENCHMARK: EB-C3
 P.K. NAIL AND TAG IN THE NORTHERLY WALL OF A CATCH BASIN 2 FEET EASTERLY OF THE EASTERLY CURB OF TRAUTWEIN ROAD, 100 FEET NORTHERLY OF VAN BUREN BLVD. TRANSFER FROM VB-10-2.
 ELEVATION: 1674.947

MARK	REVISIONS	APPR.	DATE

CITY OF RIVERSIDE PUBLIC WORKS DEPARTMENT
 APPROVED BY: DATE BY: APPROVED BY: DATE BY:
 PRINCIPAL ENGINEER: 7/19/00 R. me bratt
 PUBLIC WORKS DIRECTOR
 P.W. ENG. MANAGER: 7/19/00 DATE: 7-19-2000

SEWER IMPROVEMENT PLAN
 TRACT NO. 28930
 FLATIRON COURT
 MT. SOPRAS COURT
 HORIZ. SCALE: 1" = 40' VERT. SCALE: 1" = 4'
 ACCOUNT NO. S - 1728
 SHEET 9 OF 11
 J.N. 5643

INDEXED 8-10-2000 LfH



PROFILE SCALE:
 HORIZ. 1" = 40'
 VERT. 1" = 4'

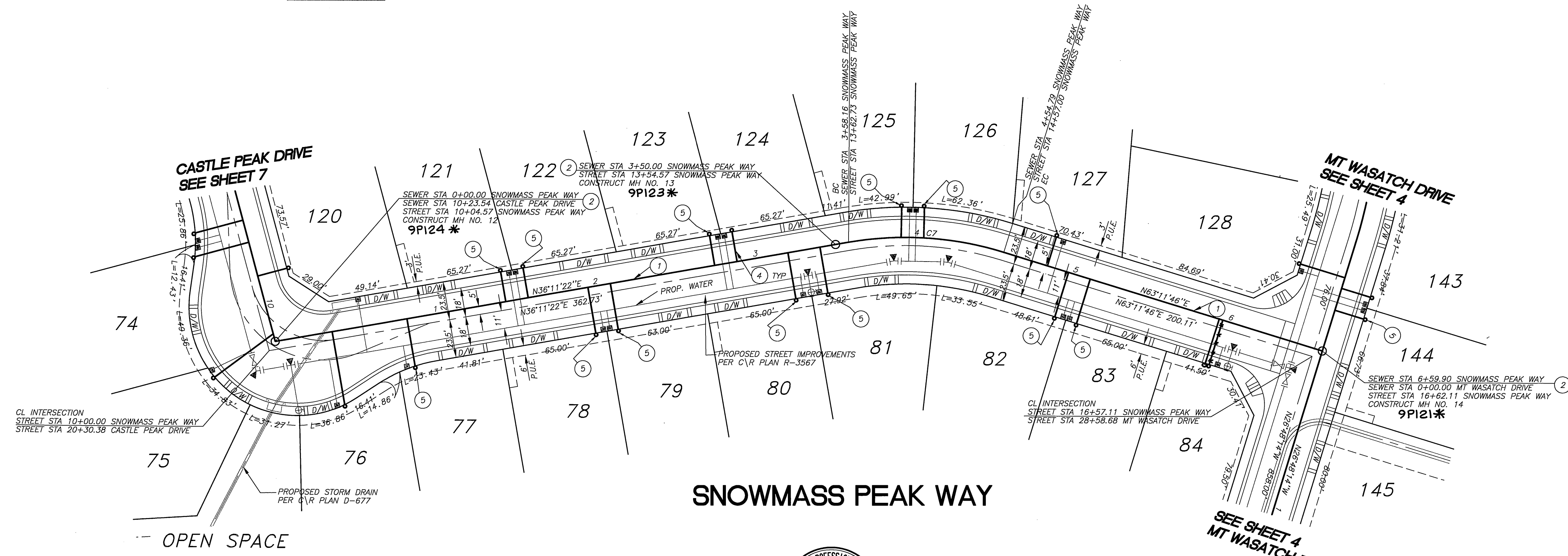
STA. 6+59.90 SNOWMASS PEAK WAY
 STA. 0+00.00 MT WASATCH DRIVE NW'LY
 STA. 10+00.00 MT WASATCH DRIVE SE'LY
 CONSTRUCT MH NO. 14
 RIM = 729.6

CURVE TABLE

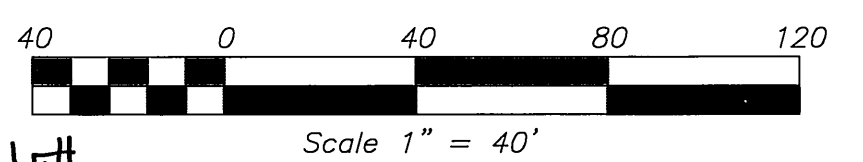
NUMBER	Δ=	L=	R=	T=
C7	27°00'24"	96.63	205.00	49.23

CONSTRUCTION NOTES:

- CONSTRUCT 8" V.C.P. SEWER LINE PER CITY OF RIVERSIDE STANDARD DRAWINGS.
- CONSTRUCT 4" DIA. MANHOLE PER CITY OF RIVERSIDE STANDARD DRAWING NO. 500.
- CONSTRUCT SEWER CLEAN OUT PER CITY OF RIVERSIDE STANDARD DRAWING NO. 560.
- CONSTRUCT 4" DIA. SEWER LATERAL WITH CLEANOUT AT PROPERTY LINE PER CITY OF RIVERSIDE STANDARD DRAWING NO. 552 A.
- BACKFLOW PREVENTER PER CITY OF RIVERSIDE STD.



SNOWMASS PEAK WAY



* AS-BUILT 6-02-03 Lft

Underground Service Alert
 Call: TOLL FREE
 1-800-227-2600
 TWO WORKING DAYS BEFORE YOU DIG

PLANS PREPARED BY:
adkan ENGINEERS
 CIVIL ENGINEERING SURVEYING PLANNING
 6820 AIRPORT DRIVE, RIVERSIDE, CA 92504
 TEL: (951) 519-2241 FAX: (951) 519-0399
 DATE: 6/17/03
 UNDER THE SUPERVISION OF: R.C.E. 53390 6/30/03

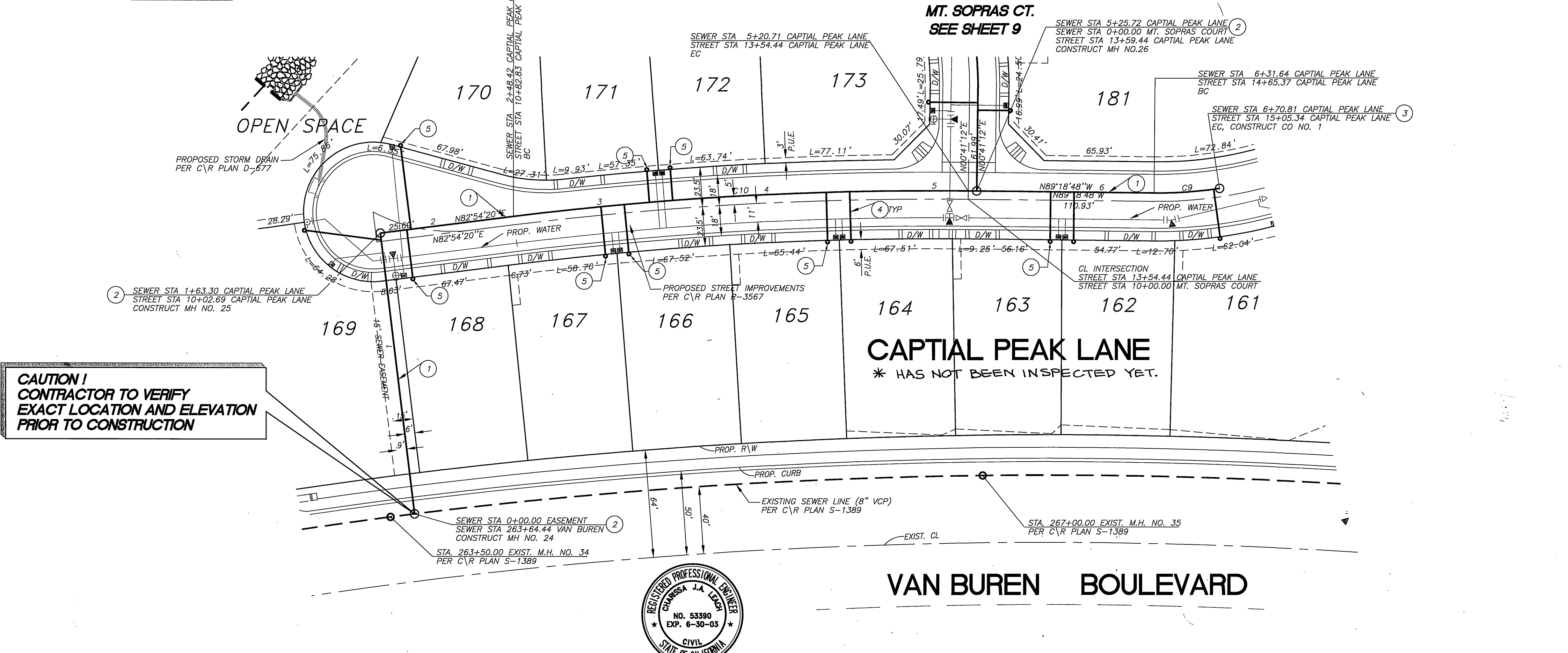
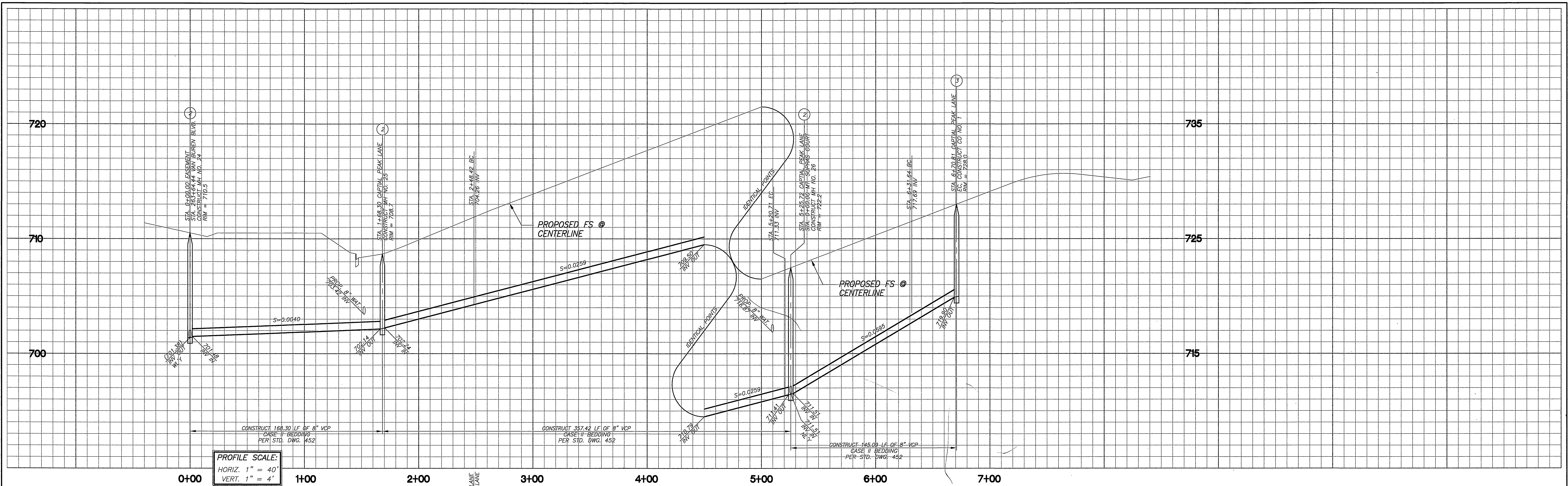
BENCHMARK: EB-C3
 P.K. NAIL AND TAG IN THE NORTHERLY WALL OF A CATCH BASIN 2 FEET EASTERLY OF THE EASTERLY CURB OF TRAUTWEIN ROAD, 100 FEET NORTHERLY OF VAN BUREN BLVD. TRANSFER FROM VB-10-2.
 ELEVATION: 1674.947

MARK	REVISIONS	APPR.	DATE
DESIGNED BY: EDDIE	DRAWN BY: RH	CHECKED BY: C-	

CITY OF RIVERSIDE PUBLIC WORKS DEPARTMENT
 APPROVED BY: DATE BY: APPROVED BY:
 PRINCIPAL ENGINEER: 7/19/03 R. Mc Brath
 PUBLIC WORKS DIRECTOR
 TRAFFIC DIVISION: 7/19/03 DB
 P.W. ENG. MANAGER: DATE 7-19-2000

SEWER IMPROVEMENT PLAN		ACCOUNT NO.
TRACT NO. 28930		S - 1728
SNOWMASS PEAK WAY		SHEET 10 OF 11
HORIZ. SCALE: 1" = 40' VERT. SCALE: 1" = 4'		J.N. 5643

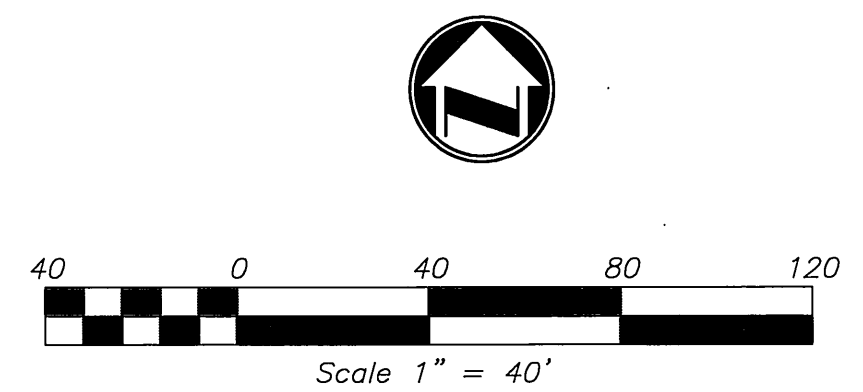
INDEXED 8-10-2000 Lft



- CONSTRUCTION NOTES:**
- 1 - CONSTRUCT 8" V.C.P. SEWER LINE PER CITY OF RIVERSIDE STANDARD DRAWINGS.
 - 2 - CONSTRUCT 4" DIA. MANHOLE PER CITY OF RIVERSIDE STANDARD DRAWING NO. 500.
 - 3 - CONSTRUCT SEWER CLEAN OUT PER CITY OF RIVERSIDE STANDARD DRAWING NO. 560.
 - 4 - CONSTRUCT 4" DIA. SEWER LATERAL WITH CLEANOUT AT PROPERTY LINE PER CITY OF RIVERSIDE STANDARD DRAWING NO. 582 A.
 - 5 - BACKFLOW PREVENTER PER CITY OF RIVERSIDE STD.

CURVE TABLE

NUMBER	Δ	L'	Rm'	Tm'
C9	09°09'33"	39.17	245.00	19.62
C10	07°46'52"	272.29	2005.00	136.35



Underground Service Alert
 Call: TOLL FREE
 1-800-227-2600
 TWO WORKING DAYS BEFORE YOU DIG

PLANS PREPARED BY:
adkan ENGINEERS
 CIVIL ENGINEERING SURVEYING PLANNING
 6820 AIRPORT DRIVE, RIVERSIDE, CA 92504
 TEL: (951) 508-0241 FAX: (951) 508-0599
 DATE: 6/17/03
 UNDER THE SUPERVISION OF: J. J. JACKSON
 NO. 53390 EXP. 6-30-03
 CIVIL ENGINEER
 STATE OF CALIFORNIA

BENCHMARK: E8-C3
 P.K. NAIL AND TAG IN THE NORTHERLY WALL OF A CATCH BASIN 2 FEET EASTERLY OF THE EASTERLY CURB OF TRAUTWEIN ROAD, 100 FEET NORTHERLY OF VAN BUREN BLVD. TRANSFER FROM VB-10-2.
 ELEVATION: 1674.947

MARK	REVISIONS	APPR.	DATE

DESIGNED BY: EDDIE DRAWN BY: RH CHECKED BY: C-

CITY OF RIVERSIDE PUBLIC WORKS DEPARTMENT

APPROVED BY	DATE	BY	APPROVED BY
PRINCIPAL ENGINEER	7/19/03	RE	R. M. B. B. B.
PARK DEPARTMENT			PUBLIC WORKS DIRECTOR
TRAFFIC DIVISION			
P.W. ENG. MANAGER	7/19/03	TR	

DATE: 7-19-2000

SEWER IMPROVEMENT PLAN	ACCOUNT NO.
TRACT NO. 28930	S - 1728
CAPTIAL PEAK LANE	SHEET 11 OF 11
12' EASEMENT	J.N. 5643
HORIZ. SCALE: 1" = 40'	VERT. SCALE: 1" = 4'

File name: U:\DRAWING\PORTOLA\SWR11

* AS-BUILT 6-02-03 LHM

INDEXED 8-10-2000