

INDEX MAP

SCALE: 1" = 200'

NOTICE TO CONTRACTOR

ACCORDING TO INFORMATION PROVIDED BY UNDERGROUND SERVICE ALERT (U.S.A.) DATED FEBRUARY 18 1999, THE FOLLOWING ORGANIZATIONS ARE U.S.A. MEMBERS WITHIN THE PROJECT AREA:

- CHARTER COMMUNICATIONS
- PACIFIC BELL MOBILE SERVICE
- QUESTAR LINE 90 COMPANY
- SANTA ANA WATERSHED PROJECT AUTH.
- WESTERN MUNICIPAL WATER DISTRICT
- MEDIA ONE
- PACIFIC BELL
- CITY OF RIVERSIDE
- THE GAS COMPANY

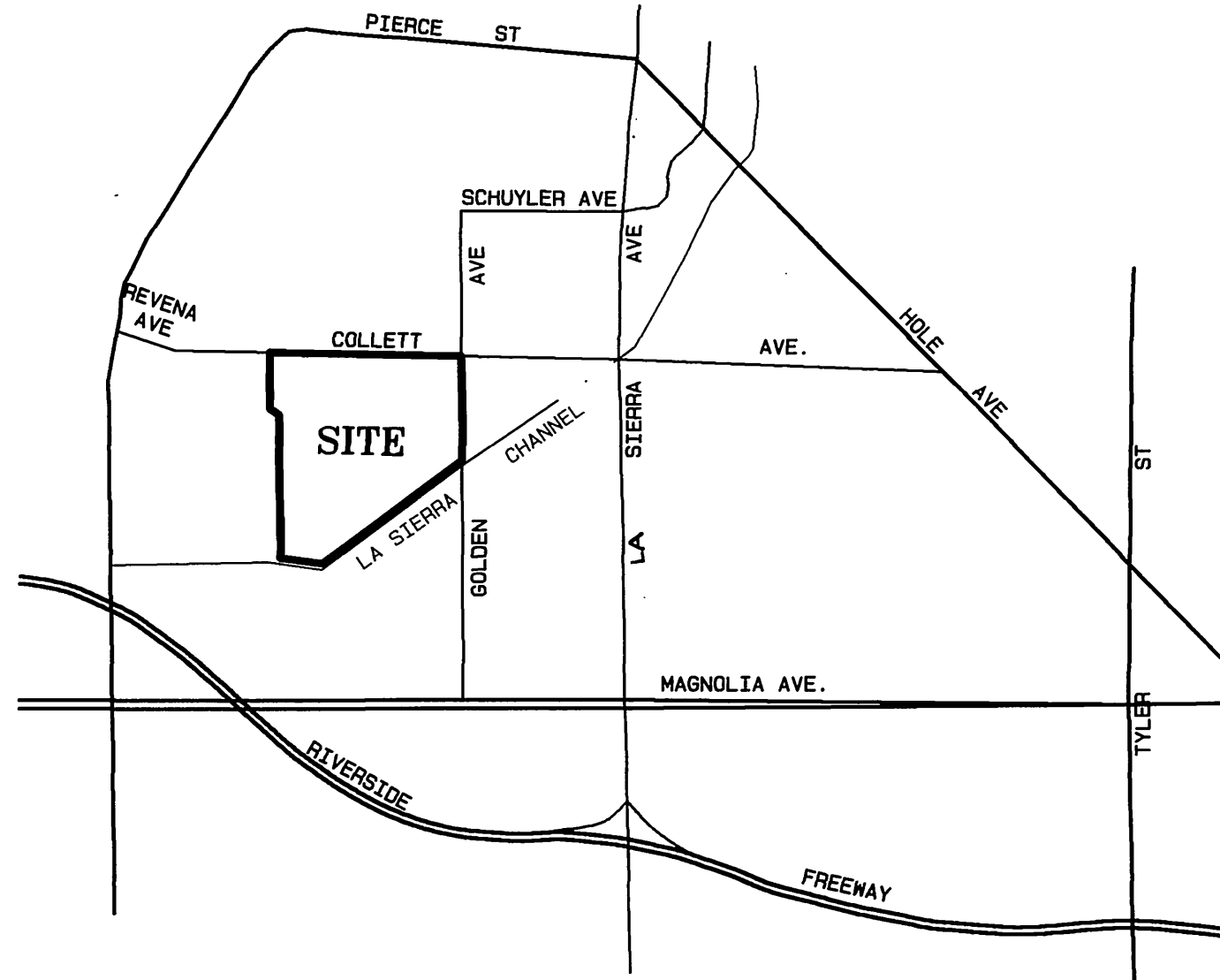
THE EXISTENCE AND LOCATIONS OF ALL UNDERGROUND UTILITIES (UTILITY PIPES, STRUCTURES, ETC.) SHOWN ON THESE PLANS (MAIN LINES ONLY - NO SERVICE LATERALS) WERE ASCERTAINED BY A REVIEW OF RECORDS PROVIDED BY THESE MEMBER AGENCIES AND ARE APPROXIMATE. NEITHER THE OWNER NOR THE ENGINEER ASSUMES ANY RESPONSIBILITY FOR UTILITIES NOT SHOWN OR NOT IN THE LOCATION SHOWN.

THE CONTRACTOR IS REQUIRED TO TAKE DUE PRECAUTIONARY MEASURES TO PROTECT ALL UTILITIES SHOWN ON THESE PLANS AND/OR ANY OTHER UNDERGROUND UTILITIES NOT OF RECORD OR NOT SHOWN ON THESE PLANS.

THE CONTRACTOR IS RESPONSIBLE TO INSURE THAT ALL SIDEWALKS, RAMPS, RAILS, CLEARANCES AND APPURTENANCES MEET OR EXCEED THE MOST STRINGENT REQUIREMENTS OF THE CITY, STATE OR FEDERAL GOVERNMENT FOR ACCESSIBILITY.

SEWER NOTES

1. IT SHALL BE THE RESPONSIBILITY OF THE CONTRACTOR TO CLEAR THE RIGHT OF WAY IN ACCORDANCE WITH THE PROVISIONS OF LAW AS IT AFFECTS EACH UTILITY INCLUDING IRRIGATION LINES AND APPURTENANCES AND AT NO COST TO THE CITY.
2. CONSTRUCTION SHALL BE IN ACCORDANCE WITH THE CITY OF RIVERSIDE DEPARTMENT OF PUBLIC WORKS, STANDARD DRAWINGS, ITS SUPPLEMENTAL NOTES AND THE STANDARD SPECIFICATIONS FOR PUBLIC WORKS CONSTRUCTION, CURRENT EDITION.
3. THE PRIVATE ENGINEER SIGNING THESE PLANS IS RESPONSIBLE FOR ASSURING THE ACCURACY AND ACCEPTABILITY OF THE WORK HEREON. IN THE EVENT OF DISCREPANCIES ARISING DURING CONSTRUCTION, THE PRIVATE ENGINEER SHALL BE RESPONSIBLE FOR DETERMINING AN ACCEPTABLE SOLUTION AND REVISING THE PLANS FOR APPROVAL BY THE CITY.
4. THE DEVELOPER SHALL BE RESPONSIBLE FOR PRESERVING OR RE-ESTABLISHING AND REFERENCING SURVEY MONUMENTS DESTROYED, DISTURBED OR BURIED AS A RESULT OF CONSTRUCTION SHOWN HEREON.
5. ALL FLAGGED ELEVATIONS SHALL BE STAKED IN THE FIELD BY THE PRIVATE ENGINEER.
6. THE CONTRACTOR SHALL CALL IN A LOCATION REQUEST TO UNDERGROUND SERVICE ALERT (USA), PHONE 1-800-227-2600, TWO WORKING DAYS BEFORE DIGGING. NO CONSTRUCTION PERMIT WILL BE ISSUED BY THE PUBLIC WORKS DEPARTMENT INVOLVING EXCAVATION FOR UNDERGROUND FACILITIES UNLESS THE APPLICANT HAS BEEN PROVIDED AN INQUIRY IDENTIFICATION NUMBER BY U.S.A.
7. CONTRACTOR IS TO VERIFY EXISTING SEWER LOCATION AND ELEVATION PRIOR TO START OF CONSTRUCTION.
8. LOCATION OF LATERALS TO BE DETERMINED IN THE FIELD AT THE DIRECTION OF THE OWNER. AVOID CONFLICT WITH PROPOSED AND/OR EXISTING FACILITIES.
9. NO FINISHED FLOOR ELEVATION SHALL BE LESS THAN 6" ABOVE THE UPPER MANHOLE RIM ELEVATION OF THE SEWER LINE SEGMENT BEING CONNECTED TO, WITHOUT HAVING A PROPER BACKWATER VALVE INSTALLED IN THE LATERAL.
10. A PLUG SHALL BE INSTALLED AND WILL REMAIN IN PLACE WHERE THE NEW SEWER CONNECTS WITH THE EXISTING SEWER UNTIL THE NEW SEWER IS ACCEPTED BY THE CITY.
11. THE SEWER CONTRACTOR SHALL ADJUST MANHOLES TO FINAL GRADE AFTER PAVING IS COMPLETED.
12. NO PERSON SHALL PERFORM ANY CONSTRUCTION ACTIVITY OR INSTALL ANY OBJECTS WITHIN THE PUBLIC RIGHTS-OF-WAY OR EASEMENTS OF THE CITY OF RIVERSIDE WITHOUT A VALID CONSTRUCTION PERMIT OR A STREET OPENING PERMIT OR AN ENCROACHMENT PERMIT ISSUED BY THE CITY'S PUBLIC WORKS DEPARTMENT.
13. DEVELOPER AND/OR CONTRACTOR TO GIVE RCFC 5-DAYS WRITTEN NOTICE PRIOR TO STARTING WORK ON SEWER (OR DOING ANY WORK WITHIN RCFC BASEMENTS). RCFC ENCROACHMENT PERMIT NO. 1-0-0060-2460



VICINITY MAP

NOT TO SCALE

CONSTRUCTION NOTES

- ① CONSTRUCT 10" VCP SEWER
- ② CONSTRUCT 8" VCP SEWER
- ③ TEMPORARY END CAP
- 500 CONSTRUCT SEWER MANHOLE PER CITY OF RIVERSIDE STANDARD DWG. NO. 500
- 562A CONSTRUCT SEWER LATERAL WITH CLEANOUT @ PROPERTY LINE PER CITY OF RIVERSIDE STANDARD DWG. NO. 562A

BENCH MARK:

CITY OF RIVERSIDE BENCH MARK NO E2-H3 P.K. NAIL AND TAG IN THE CENTER OF THE MOST NORTHERLY CURB RETURN OF COLLETT AVENUE AND GOLDEN AVENUE
ELEVATION: 697.978

CITY OF RIVERSIDE PUBLIC UTILITIES DEPARTMENT OVERHEAD AND UNDERGROUND

REVIEWED BY: *John L. Sung* DATE: 10-13-00

CITY OF RIVERSIDE WATER DEPARTMENT (SHTS. 1-7)

APPROVED BY: *Richard L. Dardik* DATE: 11/2/00



CITY BUSINESS TAX CERTIFICATE NO. 005751 EXP. 12-31-00

ALBERT A. WEBB ASSOCIATES
3788 McCRAY STREET RIVERSIDE, CA 92506 (909) 686-1070

APPROVED BY: *Mo L. Faghih* DATE: 10/10/00
R.C.E. NO. C39530

W.O. 99-201 FOR: GRIFFIN INDUSTRIES F.B. 1999

CITY OF RIVERSIDE, CALIFORNIA PUBLIC WORKS DEPARTMENT

APPROVED BY: *John L. Sung* DATE: 10/10/00

PRINCIPAL ENGINEER

PARK DEPARTMENT

TRAFFIC DEPARTMENT

DEPUTY P.W. DIRECTOR

SEWER IMPROVEMENT PLANS

TRACT NO. 29089-1

SCALE: AS SHOWN

ACCOUNT NO.

DRAWING NUMBER

S-1730

SHEET 1 OF 7

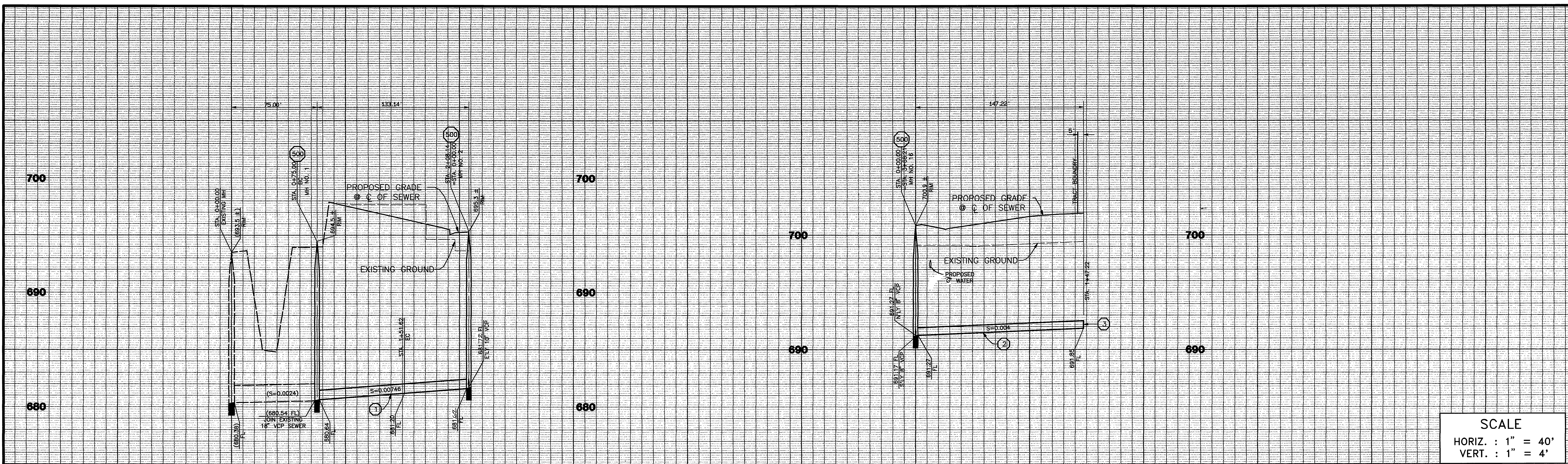
99-0201



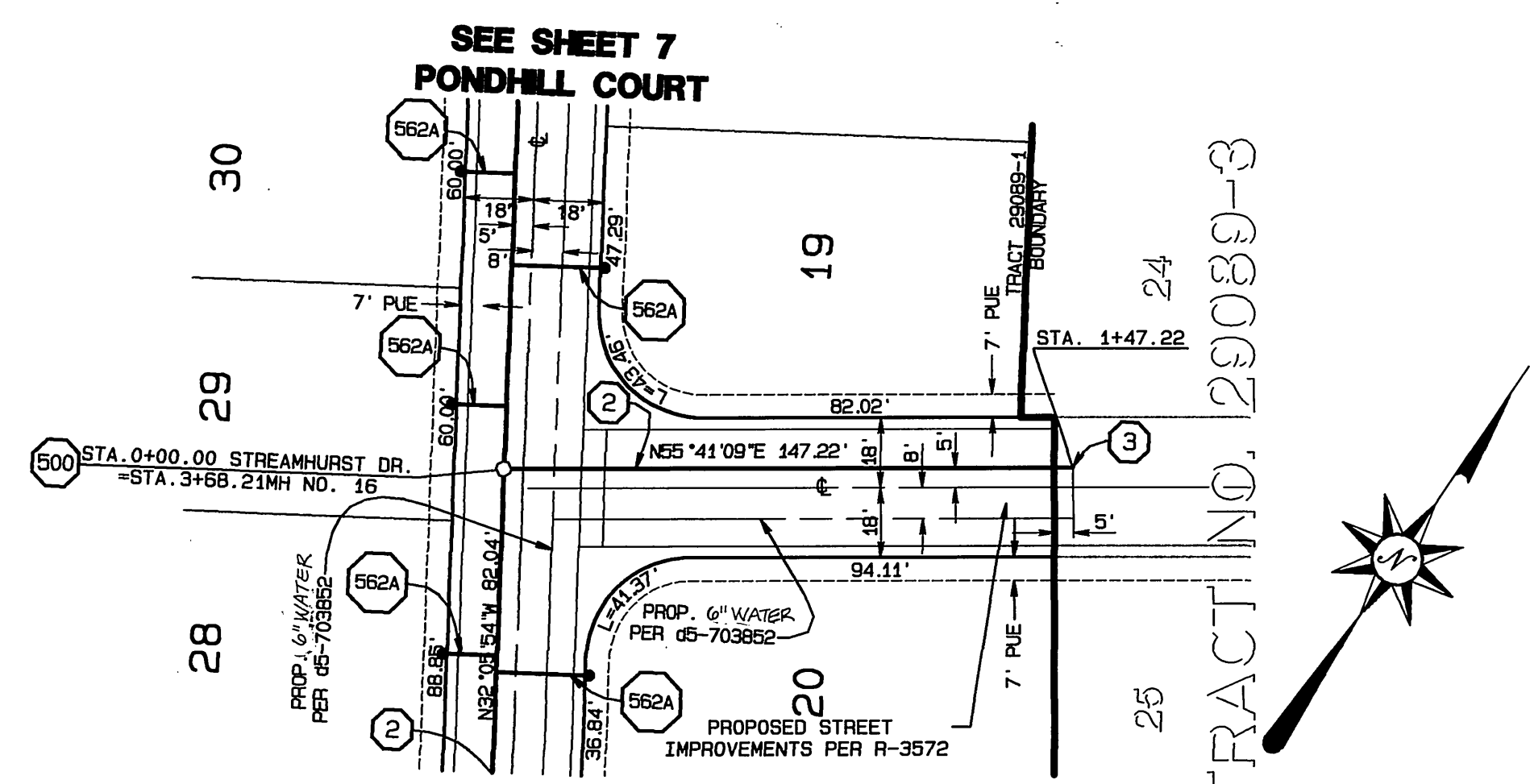
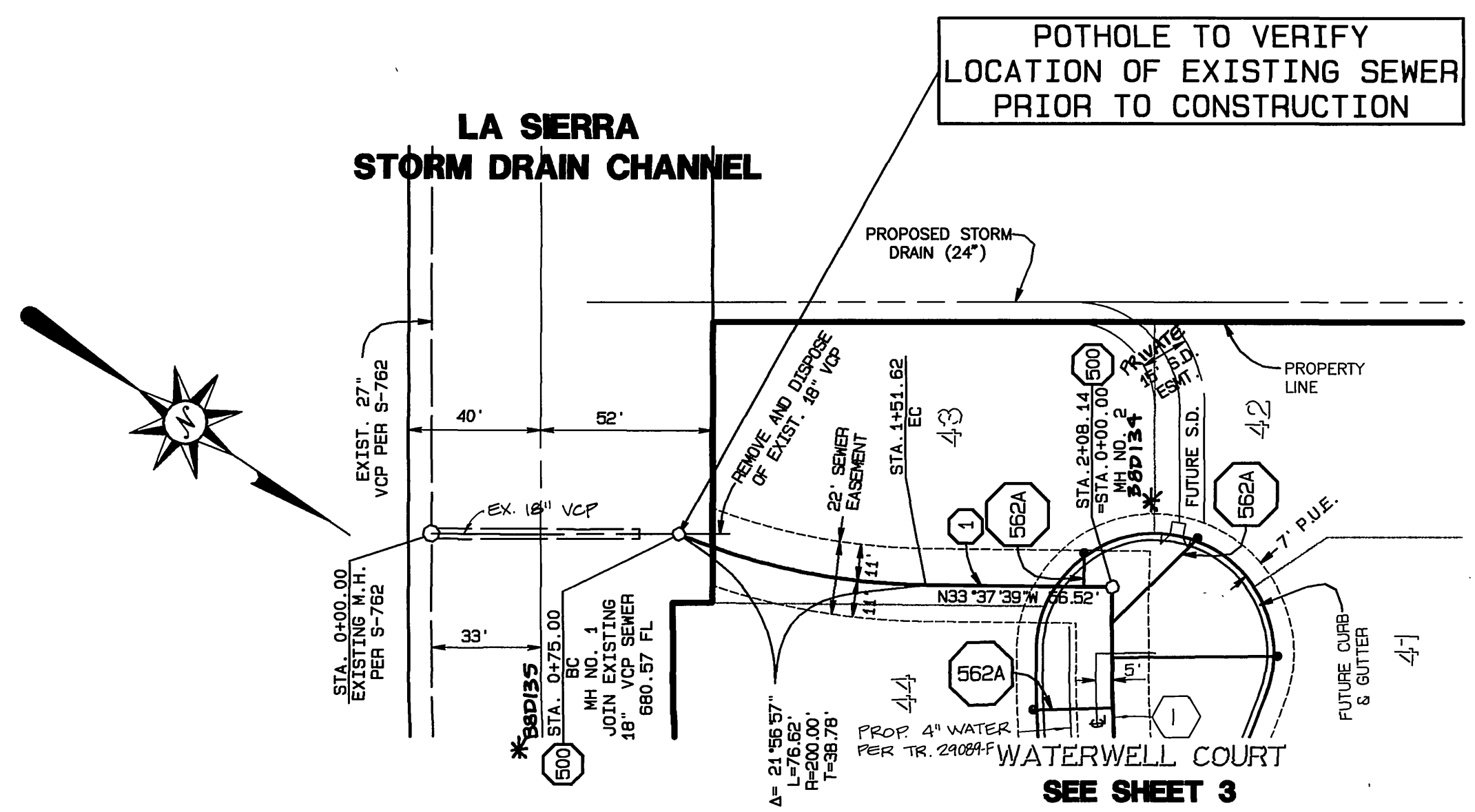
*AS-BUILT 5-19-03 *lph*

INDEXED 1-16-2001 *lph*

FILE: G:\1999\05-29\2911\98201.dwg PLOT DATE: 10/29/2000



SCALE
 HORIZ. : 1" = 40'
 VERT. : 1" = 4'



CONSTRUCTION NOTES

- ① CONSTRUCT 10" VCP SEWER
- ② CONSTRUCT 8" VCP SEWER
- ③ TEMPORARY END CAP
- 500 CONSTRUCT SEWER MANHOLE PER CITY OF RIVERSIDE STANDARD DWG. NO. 500
- 562A CONSTRUCT SEWER LATERAL WITH CLEANOUT @ PROPERTY LINE PER CITY OF RIVERSIDE STANDARD DWG. NO. 562A

UNDERGROUND SERVICE ALERT
 CALL: TOLL FREE
 1-800-227-2600
 TWO WORKING DAYS BEFORE YOU DIG

BENCH MARK:
 CITY OF RIVERSIDE BENCH MARK NO E2-H3
 P.K. NAIL AND TAG IN THE CENTER OF THE MOST NORTHERLY CURB RETURN OF COLLETT AVENUE AND GOLDEN AVENUE
 ELEVATION: 697.978



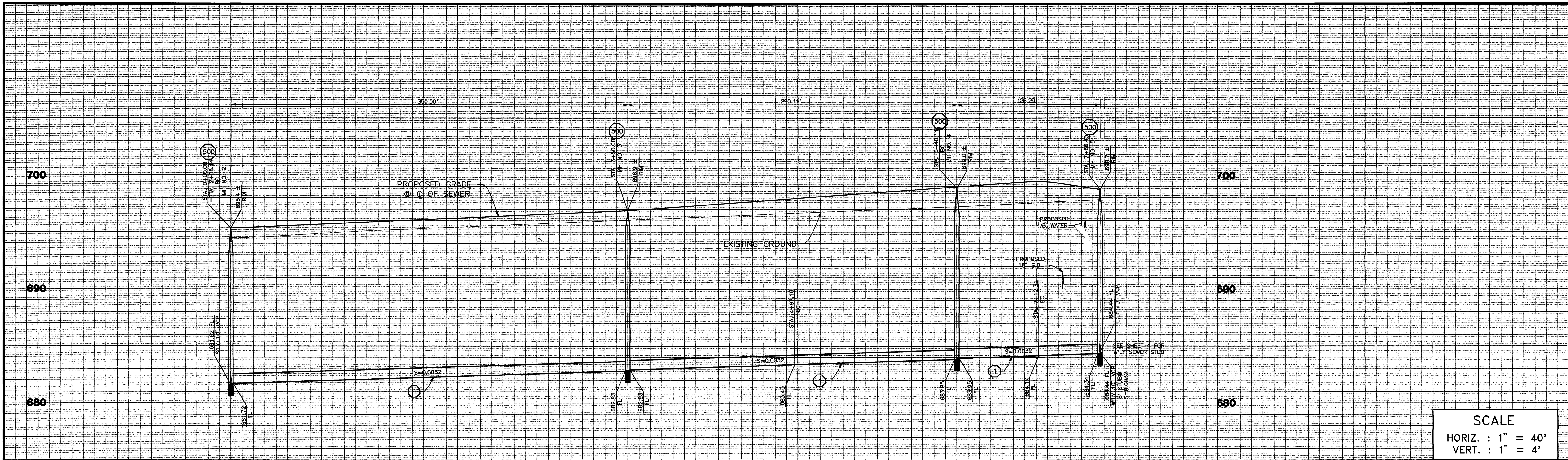
CITY BUSINESS TAX CERTIFICATE NO. 005751 EXP. 12-31-00
ALBERT A. WEBB ASSOCIATES
 CIVIL ENGINEERS
 3788 McCRA Y STREET RIVERSIDE, CA 92506
 (909) 686-1070
 APPROVED BY *W. J. Fogel* DATE 10/10/00
 R.C.E. NO. C39530

MARK	REVISIONS	APPR.	DATE

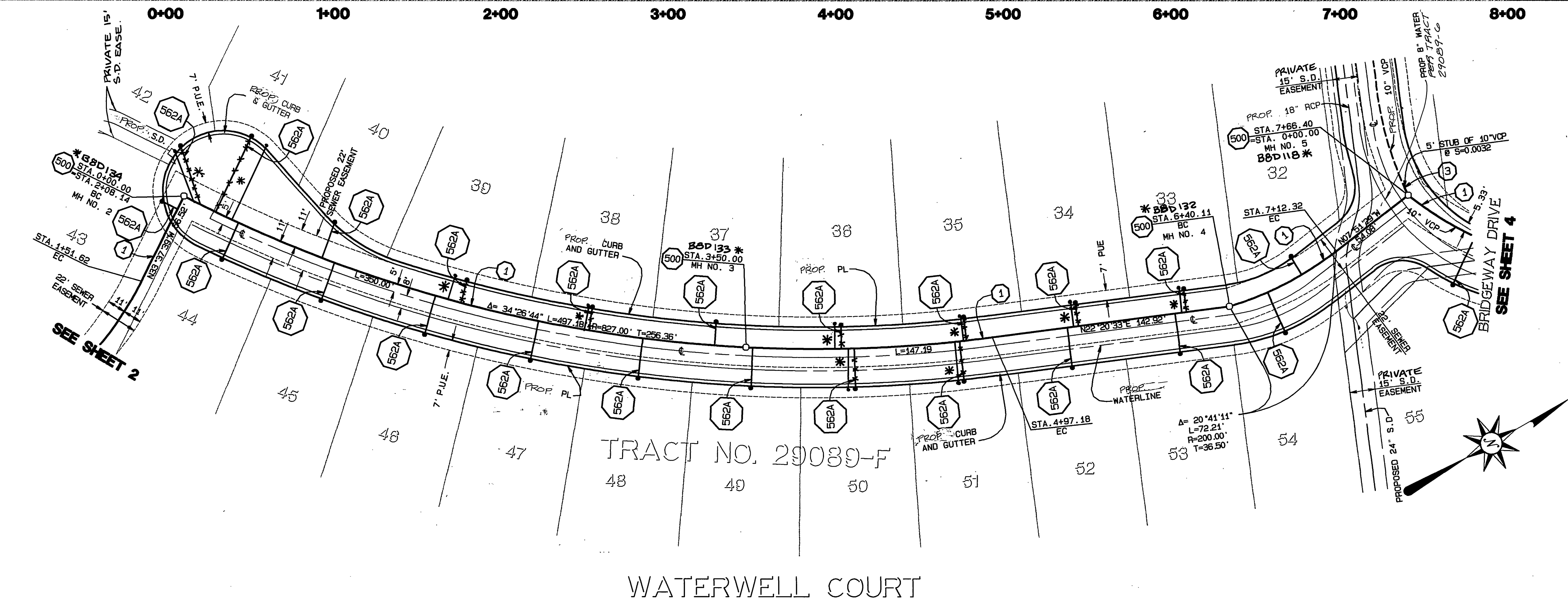
CITY OF RIVERSIDE, CALIFORNIA
 PUBLIC WORKS DEPARTMENT
 APPROVED BY *[Signature]* BY DATE *10/10/00*
 PRINCIPAL ENGINEER
 PARK DEPARTMENT
 TRAFFIC DEPARTMENT
 DEPUTY P.W. DIRECTOR

* AS-BUILT 5-19-03 Lft
SEWER IMPROVEMENT PLANS
TRACT NO. 29089-1
 OFF-SITE PLAN & PROFILE
 STREAMHURST DRIVE
 SCALE: HORIZ.: 1"=40' VERT.: 1"=4'

ACCOUNT NO.
 DRAWING NUMBER
S-1730
 SHEET 2 OF 7
 99-0201



SCALE
 HORIZ. : 1" = 40'
 VERT. : 1" = 4'



CONSTRUCTION NOTES

- ① CONSTRUCT 10" PVC * RCP SEWER
- ② CONSTRUCT 8" VCP SEWER
- ③ TEMPORARY END CAP
- 500 CONSTRUCT SEWER MANHOLE PER CITY OF RIVERSIDE STANDARD DWG. NO. 500
- 562A CONSTRUCT SEWER LATERAL WITH CLEANOUT @ PROPERTY LINE PER CITY OF RIVERSIDE STANDARD DWG. NO. 562A

BENCH MARK:
 CITY OF RIVERSIDE BENCH MARK NO E2-H3
 P.K. NAIL AND TAG IN THE CENTER OF THE
 MOST NORTHERLY CURB RETURN OF COLLETT
 AVENUE AND GOLDEN AVENUE
 ELEVATION: 697.978

UNDERGROUND SERVICE ALERT
 CALL: TOLL FREE
 1-800-227-2600
 TWO WORKING DAYS BEFORE YOU DIG



CITY BUSINESS TAX CERTIFICATE NO. 005751 EXP. 12-31-00
ALBERT A. WEBB ASSOCIATES
 CIVIL ENGINEERS
 3788 McCRAY STREET RIVERSIDE, CA 92506
 (909) 686-1070
 APPROVED BY: [Signature] DATE 10/10/00
 R.C.E. NO. C39530

MARK	REVISIONS	APPR. DATE

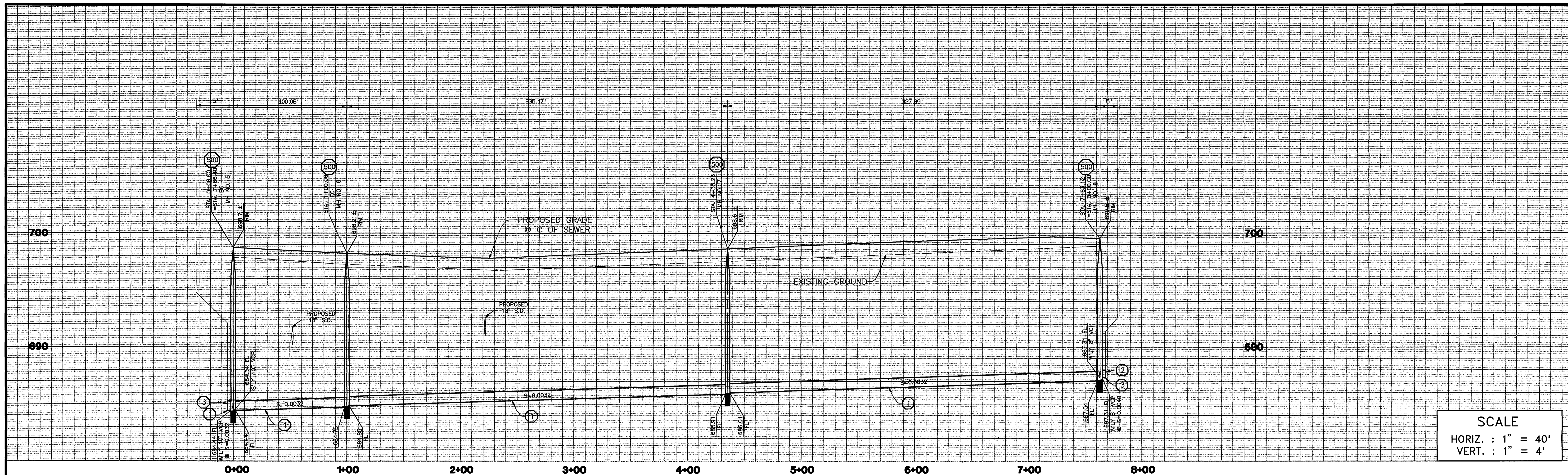
CITY OF RIVERSIDE, CALIFORNIA
 PUBLIC WORKS DEPARTMENT
 APPROVED BY: [Signature] BY DATE: 10/10/00
 PRINCIPAL ENGINEER
 PARK DEPARTMENT
 TRAFFIC DEPARTMENT
 DEPUTY P.W. DIRECTOR

* AS-BUILT 5-19-03 LfH
SEWER IMPROVEMENT PLANS
TRACT NO. 29089-1
 OFF-SITE PLAN & PROFILE
 STA. 0+00.00 TO STA. 7+66.40
 SCALE: HORIZ.: 1"=40' VERT.: 1"=4'

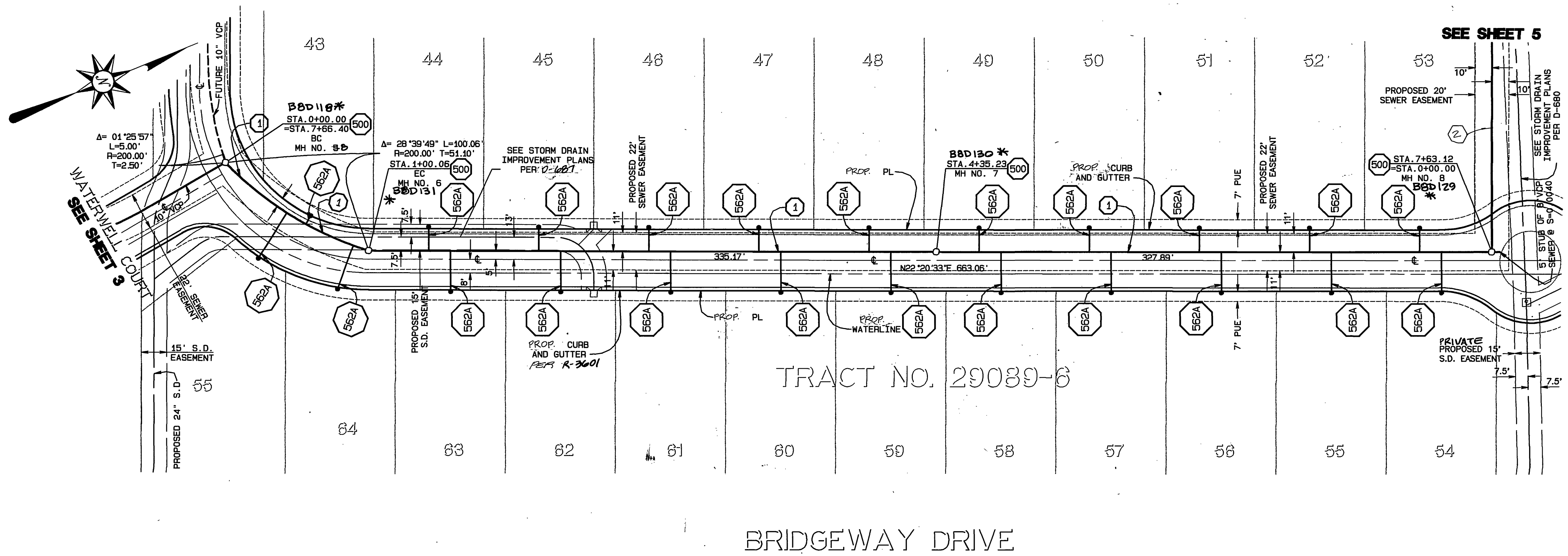
ACCOUNT NO.
 DRAWING NUMBER
S-1730
 SHEET **3** OF **7**
 99-0201

INDEXED 1-16-2001 LfH

FILE: G:\1999\99-0201\990201.dwg PLOT DATE: 10/19/2000



SCALE
 HORIZ. : 1" = 40'
 VERT. : 1" = 4'



CONSTRUCTION NOTES

- ① CONSTRUCT 10" VCP SEWER
- ② CONSTRUCT 8" VCP SEWER
- ③ TEMPORARY END CAP
- 500 CONSTRUCT SEWER MANHOLE PER CITY OF RIVERSIDE STANDARD DWG. NO. 500
- 562A CONSTRUCT SEWER LATERAL WITH CLEANOUT @ PROPERTY LINE PER CITY OF RIVERSIDE STANDARD DWG. NO. 562A

UNDERGROUND SERVICE ALERT
 CALL: TOLL FREE
 1-800-227-2600
 TWO WORKING DAYS BEFORE YOU DIG

BENCH MARK:
 CITY OF RIVERSIDE BENCH MARK NO E2-H3
 P.K. NAIL AND TAC IN THE CENTER OF THE MOST NORTHERLY CURB RETURN OF COLLETT AVENUE AND GOLDEN AVENUE
 ELEVATION: 697.978



CITY BUSINESS TAX CERTIFICATE NO. 005751 EXP. 12-31-00
ALBERT A. WEBB ASSOCIATES CIVIL ENGINEERS
 3788 McCRAY STREET RIVERSIDE, CA 92506
 (909) 686-1070
 APPROVED BY: [Signature] DATE 10/10/00
 R.C.E. NO. C39530
 W.O. 99-201 FOR: GRIFFIN INDUSTRIES F.B. 1999

MARK	REVISIONS	APPR.	DATE

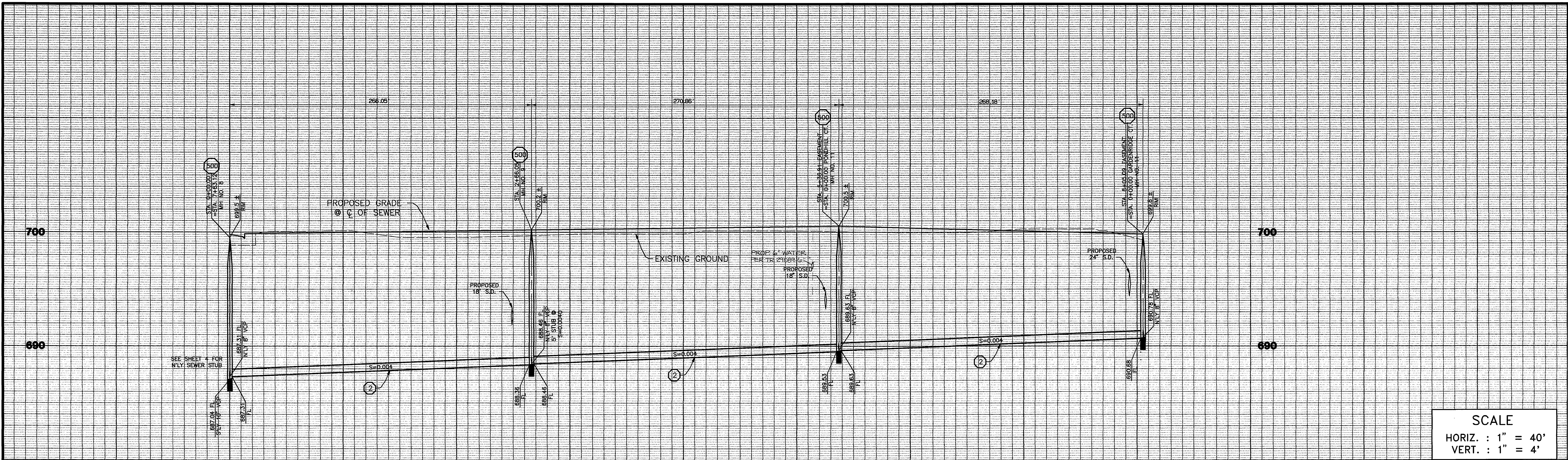
CITY OF RIVERSIDE, CALIFORNIA
PUBLIC WORKS DEPARTMENT
 APPROVED BY: [Signature] BY DATE: 10/10/00
 PRINCIPAL ENGINEER
 PARK DEPARTMENT
 TRAFFIC DEPARTMENT
 DEPUTY P.W. DIRECTOR

*AS-BUILT 5-19-03 Lfh
SEWER IMPROVEMENT PLANS
TRACT NO. 29089-1
 OFF-SITE PLAN & PROFILE
 STA. 0+00.00 TO STA. 7+63.12
 SCALE: HORIZ.: 1"=40' VERT.: 1"=4'

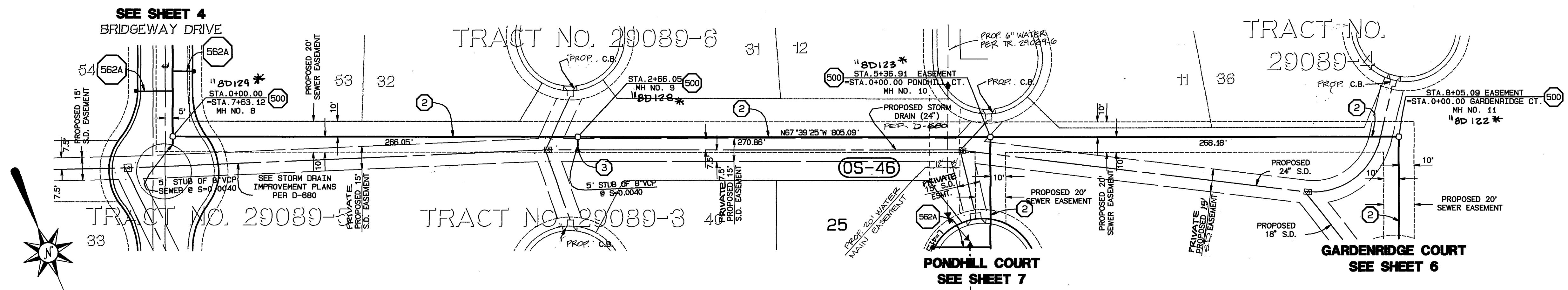
ACCOUNT NO.
 DRAWING NUMBER
S-1730
 SHEET 4 OF 7
 99-0201

INDEXED 1-16-2001 Lfh

FILE: G:\1999\99-0201\990201.dwg PLOT DATE: 10/29/2000



SCALE
 HORIZ. : 1" = 40'
 VERT. : 1" = 4'



CONSTRUCTION NOTES

- ① CONSTRUCT 10" VCP SEWER
- ② CONSTRUCT 8" VCP SEWER
- ③ TEMPORARY END CAP
- 500 CONSTRUCT SEWER MANHOLE PER CITY OF RIVERSIDE STANDARD DWG. NO. 500
- 562A CONSTRUCT SEWER LATERAL WITH CLEANOUT @ PROPERTY LINE PER CITY OF RIVERSIDE STANDARD DWG. NO. 562A

*AS-BUILT 5-19-03 LFT

UNDERGROUND SERVICE ALERT
 CALL: TOLL FREE 1-800-227-2600
 TWO WORKING DAYS BEFORE YOU DIG

BENCH MARK:
 CITY OF RIVERSIDE BENCH MARK NO E2-H3
 P.K. NAIL AND TAC IN THE CENTER OF THE MOST NORTHERLY CURB RETURN OF COLLETT AVENUE AND GOLDEN AVENUE
 ELEVATION: 697.978



CITY BUSINESS TAX CERTIFICATE NO. 005751 EXP. 12-31-00
ALBERT A. WEBB ASSOCIATES CIVIL ENGINEERS
 3788 McCRAY STREET RIVERSIDE, CA 92506
 (909) 686-1070
 APPROVED BY: [Signature] DATE 10/10/00
 R.C.E. NO. C39530

MARK	REVISIONS	APPR. DATE

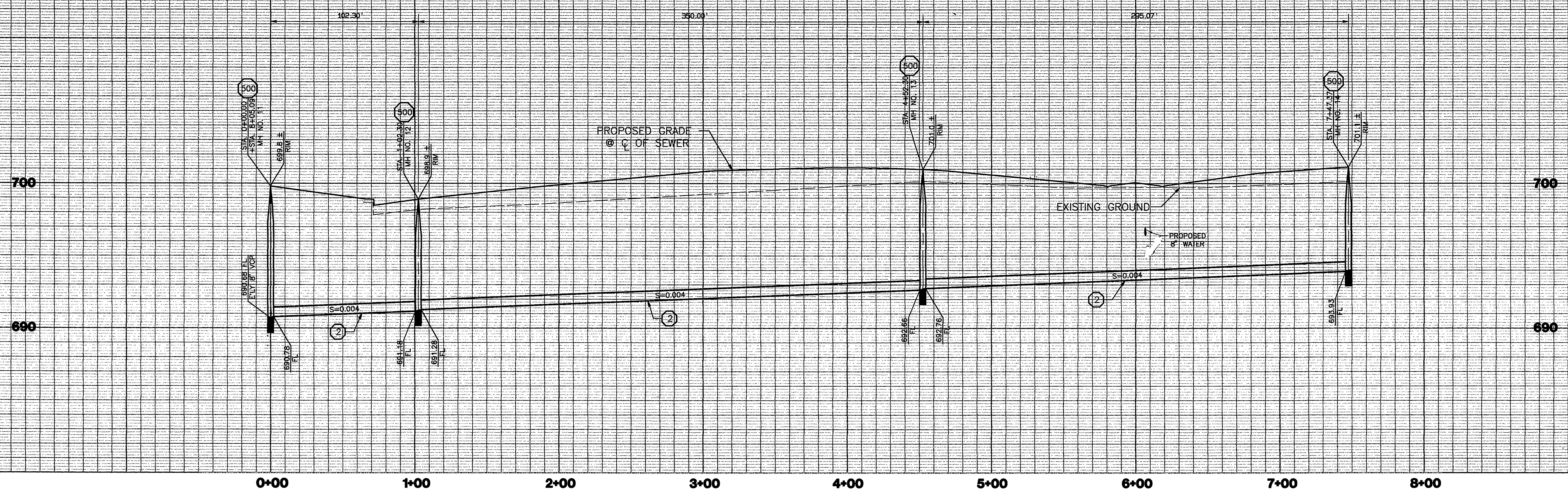
CITY OF RIVERSIDE, CALIFORNIA
PUBLIC WORKS DEPARTMENT
 APPROVED BY: [Signature] BY DATE: 10/10/00
 PRINCIPAL ENGINEER
 PARK DEPARTMENT
 TRAFFIC DEPARTMENT
 DEPUTY P.W. DIRECTOR
 APPROVED BY: [Signature] BY DATE: 10/10/00
 DIRECTOR OF PUBLIC WORKS

SEWER IMPROVEMENT PLANS
TRACT NO. 29089-1
 OFF-SITE PLAN & PROFILE
 STA. 0+00.00 TO STA. 8+05.09

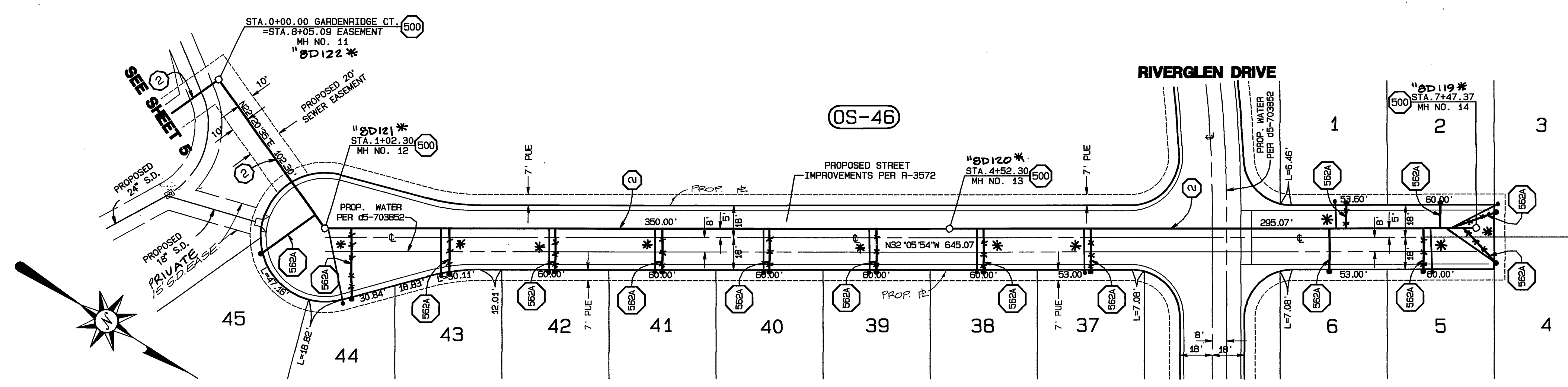
ACCOUNT NO.
 DRAWING NUMBER
S-1730
 SHEET **5** OF **7**
 SCALE: HORIZ.: 1"=40' VERT.: 1"=4'
 99-0201

INDEXED 1-16-2001 LFT

FILE: G:\1999\99-0201\990201.dwg PLOT DATE: 10/29/2000



SCALE
 HORIZ. : 1" = 40'
 VERT. : 1" = 4'



GARDENRIDGE COURT

CONSTRUCTION NOTES

- ① CONSTRUCT 10" VCP SEWER
- ② CONSTRUCT 8" PVC SEWER
- ③ TEMPORARY END CAP
- 500 CONSTRUCT SEWER MANHOLE PER CITY OF RIVERSIDE STANDARD DWG. NO. 500
- 562A CONSTRUCT SEWER LATERAL WITH CLEANOUT @ PROPERTY LINE PER CITY OF RIVERSIDE STANDARD DWG. NO. 562A

*AS-BUILT 5-19-03 Lft

UNDERGROUND SERVICE ALERT
 CALL: TOLL FREE
 1-800-227-2600
 TWO WORKING DAYS BEFORE YOU DIG

BENCH MARK:
 CITY OF RIVERSIDE BENCH MARK NO E2-H3
 P.K. NAIL AND TAG IN THE CENTER OF THE
 MOST NORTHERLY CURB RETURN OF COLLETT
 AVENUE AND GOLDEN AVENUE
 ELEVATION: 697.978



CITY BUSINESS TAX CERTIFICATE NO. 005751 EXP. 12-31-00
ALBERT A. WEBB ASSOCIATES
 CIVIL ENGINEERS
 3788 McCRAY STREET RIVERSIDE, CA 92506
 (909) 686-1070
 APPROVED BY: [Signature] DATE 10/10/00
 R.C.E. NO. C39530

MARK	REVISIONS	APPR.	DATE

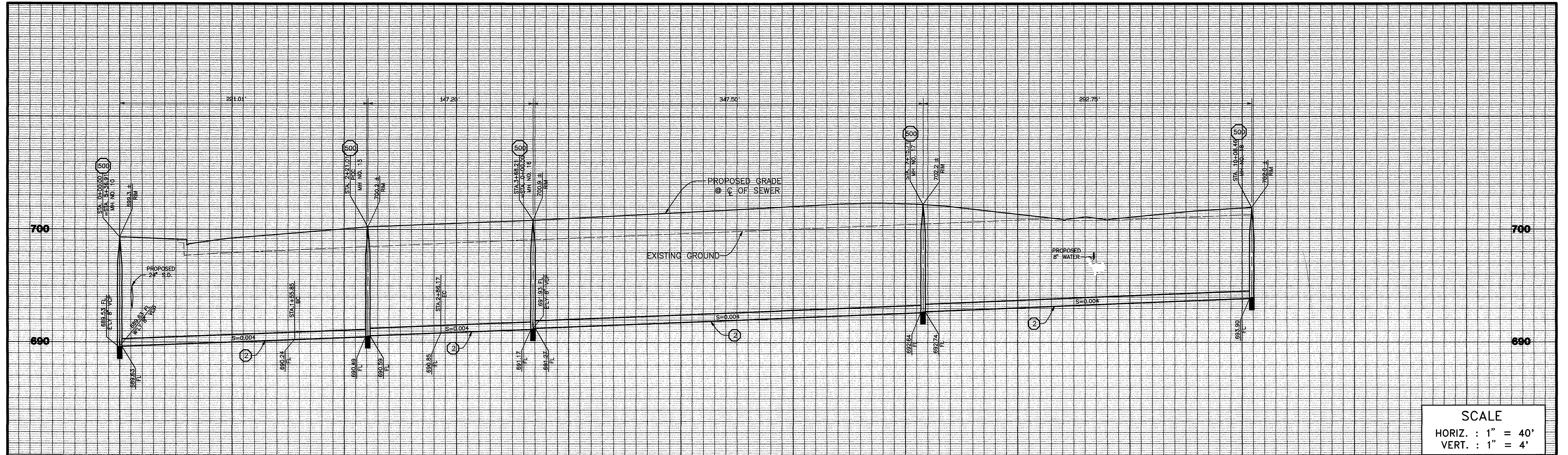
CITY OF RIVERSIDE, CALIFORNIA
PUBLIC WORKS DEPARTMENT
 APPROVED BY: [Signature] BY DATE: 10/10/00
 PRINCIPAL ENGINEER
 PARK DEPARTMENT
 TRAFFIC DEPARTMENT
 DEPUTY P.W. DIRECTOR

SEWER IMPROVEMENT PLANS
TRACT NO. 29089-1
 GARDENRIDGE COURT
 STA. 0+00.00 TO STA. 7+47.37
 SCALE: HORIZ.: 1"=40' VERT.: 1"=4'

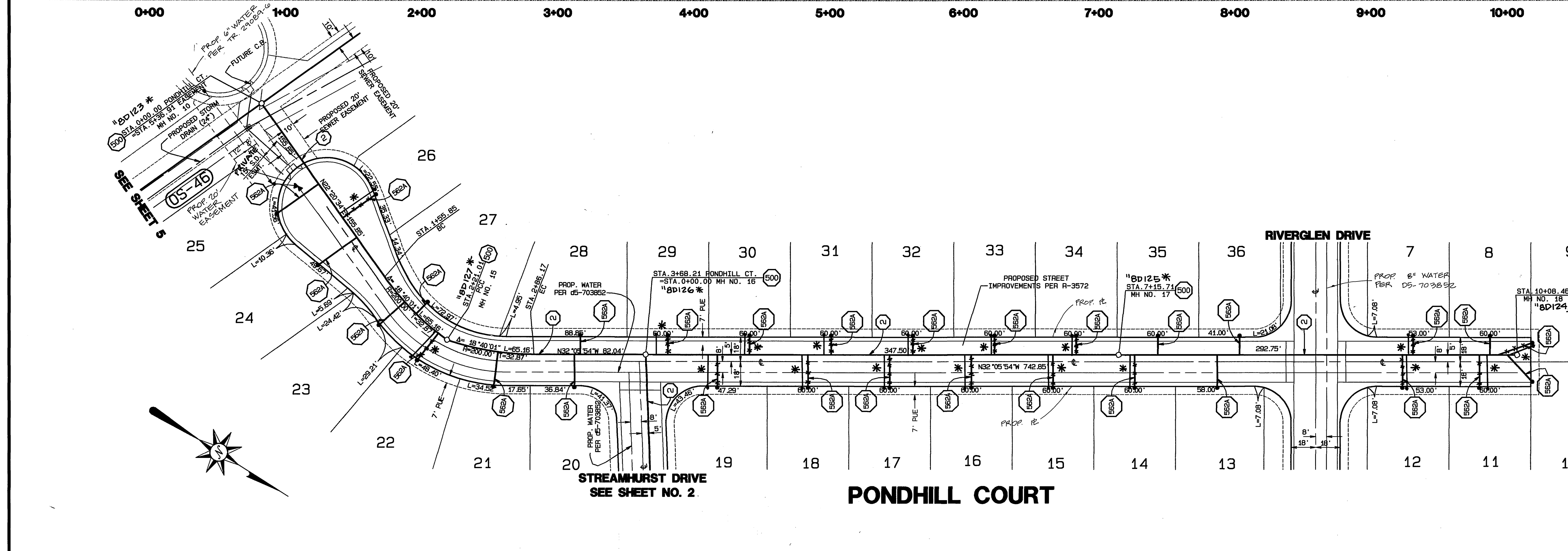
ACCOUNT NO.
 DRAWING NUMBER
S-1730
 SHEET **6** OF **7**
 99-0201

INDEXED 1-16-2001 Lft

FILE: G:\1999\99-0201\990201.dwg PLOT DATE: 10/29/2000



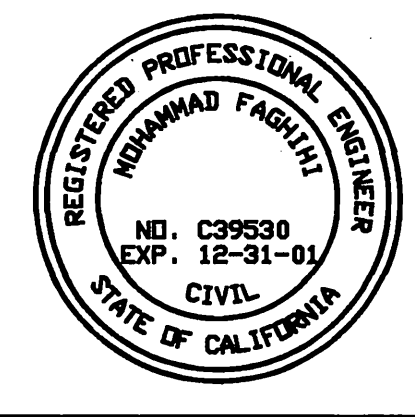
SCALE
 HORIZ. : 1" = 40'
 VERT. : 1" = 4'



- CONSTRUCTION NOTES**
- ① CONSTRUCT 10" VCP SEWER
 - ② CONSTRUCT 8" VCP SEWER
 - ③ TEMPORARY END CAP
 - 500 CONSTRUCT SEWER MANHOLE PER CITY OF RIVERSIDE STANDARD DWG. NO. 500
 - 582A CONSTRUCT SEWER LATERAL WITH CLEANOUT @ PROPERTY LINE PER CITY OF RIVERSIDE STANDARD DWG. NO. 582A

UNDERGROUND SERVICE ALERT
 CALL: TOLL FREE 1-800-227-2600
 TWO WORKING DAYS BEFORE YOU DIG

BENCH MARK:
 CITY OF RIVERSIDE BENCH MARK NO E2-H3
 P.K. NAIL AND TAC IN THE CENTER OF THE MOST NORTHERLY CURB RETURN OF COLLETT AVENUE AND GOLDEN AVENUE
 ELEVATION: 697.978



CITY BUSINESS TAX CERTIFICATE NO. 005751 EXP. 12-31-00
ALBERT A. WEBB ASSOCIATES
 CIVIL ENGINEERS
 3788 McCRA Y STREET RIVERSIDE, CA 92506
 (909) 686-1070
 APPROVED BY: *[Signature]* DATE 10/10/00
 R.C.E. NO. C39530

MARK	REVISIONS	APPR. DATE

CITY OF RIVERSIDE, CALIFORNIA
 PUBLIC WORKS DEPARTMENT
 APPROVED BY: *[Signature]* BY DATE: 12/3/00
 PRINCIPAL ENGINEER
 PARK DEPARTMENT
 TRAFFIC DEPARTMENT
 DEPUTY P.W. DIRECTOR

SEWER IMPROVEMENT PLANS
 TRACT NO. 29089-1
 PONDHILL COURT
 STA. 0+00.00 TO STA. 10+08.46
 SCALE: HORIZ.: 1"=40' VERT.: 1"=4'

ACCOUNT NO.
 DRAWING NUMBER
S-1730
 SHEET 7 OF 7
 99-0201

* AS-BUILT 5-19-03 LfH

INDEXED 1-16-2001 LfH

FILE: C:\USERS\99-0201\990201.dwg PLOT DATE: 10/29/2000