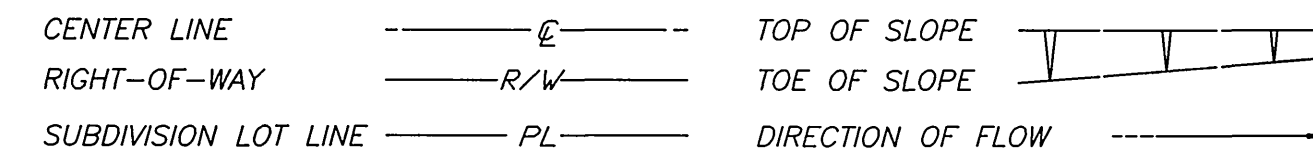


RIVERSIDE CITY OF RIVERSIDE CALIFORNIA

PUBLIC WORKS DEPARTMENT

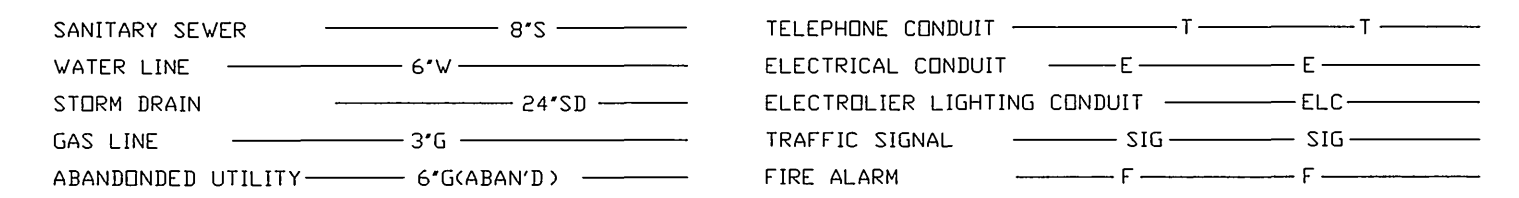
UNIVERSITY AVE. SEWER REPLACEMENT (FROM PARK AVE. TO KANSAS AVE.)

CONSTRUCTION LEGEND

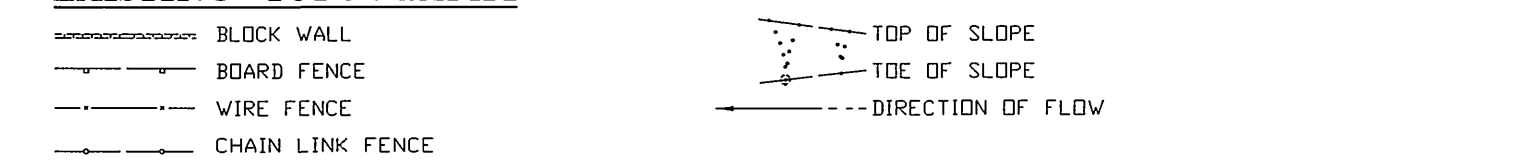


EXISTING UNDERGROUND & TOPOGRAPHY LEGEND

EXISTING UNDERGROUND UTILITIES

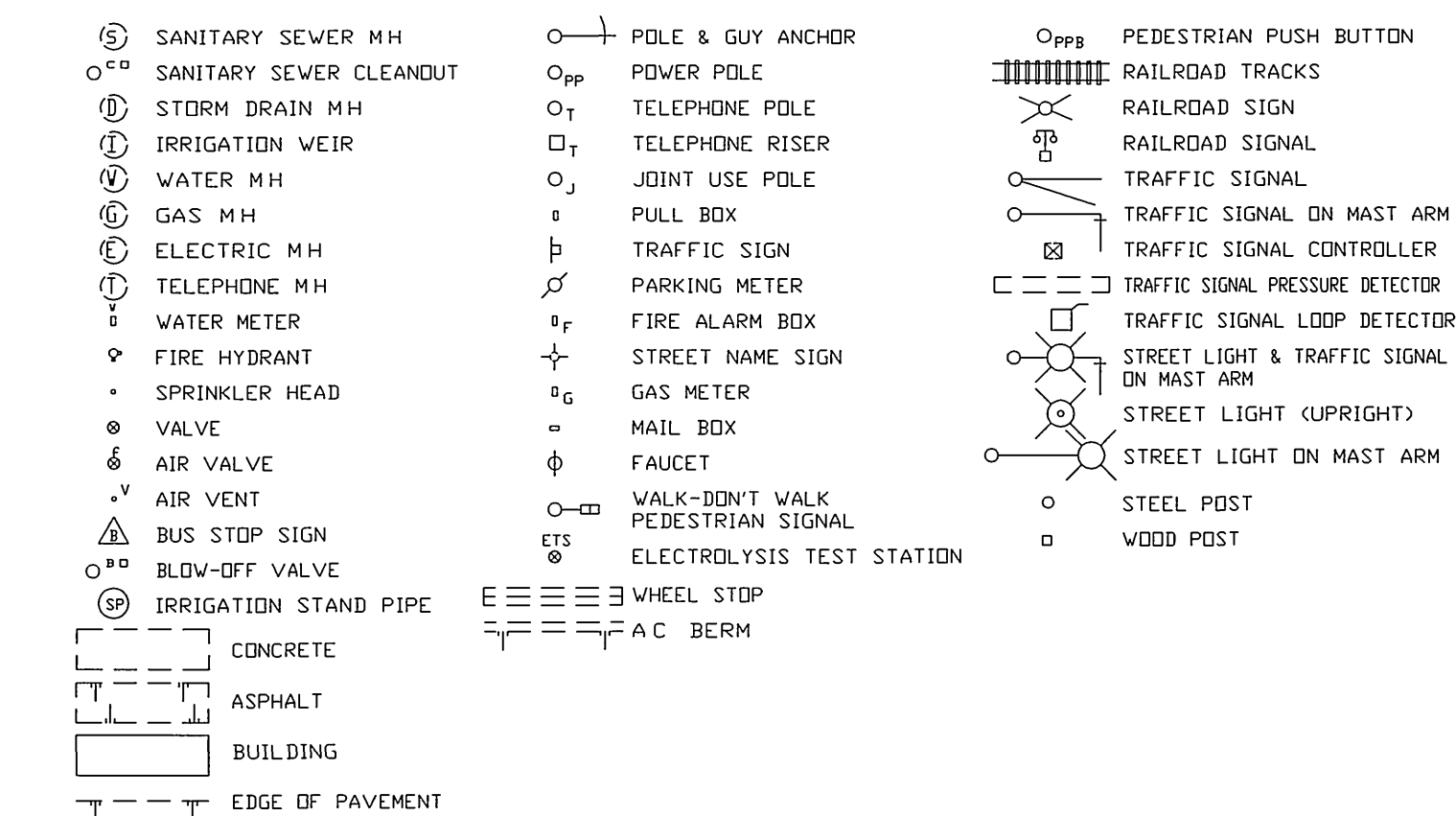


EXISTING TOPOGRAPHY



GENERAL CONSTRUCTION NOTES

- 1 EXISTING UTILITIES, SHOWN ON THIS PLAN, ARE PLOTTED FROM UTILITY RECORDS. THE CONTRACTOR IS REQUIRED TO TAKE DUE PRECAUTIONARY MEASURES TO LOCATE AND PROTECT ALL UTILITIES WHETHER OR NOT SHOWN ON THIS PLAN. IF THE COVER OF A UTILITY IS UNKNOWN, IT IS SHOWN IN THE PROFILE. UTILITIES SHOWN AS IN THE PROFILE, INDICATE THAT THE COVER IS UNKNOWN; BUT, THE UTILITY IS NOT EXPECTED TO CONFLICT WITH THE PROPOSED IMPROVEMENTS.
- 2 PRIME CONTRACTORS BIDDING THIS WORK SHALL HAVE A CLASS A, C-34, OR C-42 LICENSE.
- 3 ALL ELEVATIONS, SHOWN ON THE PLANS, SHALL BE STAKED IN THE FIELD.
- 4 CONTRACTOR SHALL BE IN ACCORDANCE WITH THE CITY OF RIVERSIDE STANDARD DWGS. AND STANDARD SPECIFICATIONS FOR PUBLIC WORKS CONSTRUCTION, 2000 EDITION.
- 5 TRENCH SHALL BE PAVED WITH 1.2' FULL DEPTH AC AND ADDITIONAL 0.1' OVERLAY ACROSSING A WHOLE DRIVING LANE AS SHOWN ON STANDARD DRAWING NO. 453.
- 6 CONFLICTING UTILITIES, SHOWN WITHIN CONSTRUCTION AREA, WILL BE RELOCATED PRIOR TO CONSTRUCTION.
- 7 ALL EXISTING SEWER LATERALS SHALL BE CONNECTED TO THE PROPOSED SEWER PER STANDARD DRAWING NO. 562.
- 8 PLASTIC PIPES MUST NOT BE USED FOR ALL SEWER LATERAL.



SPECIFIC CONSTRUCTION NOTES

- NUMBERS, ABOVE 100 IN A HEXAGON ON THE PLAN, REFER TO THE RESPECTIVE STANDARD DRAWING AND SHALL BE CONSTRUCTED ACCORDINGLY, UNLESS MODIFICATIONS ARE NOTED ON THE PLAN OR COVER SHEET. ANY NUMBER SHOWN BELOW THE STANDARD DRAWING NUMBER INDICATES THE SPECIFIC ALTERNATE TO BE CONSTRUCTED.
- ABD ABANDON THE EXISTING SEWER LINE AND MANHOLES.
 - TDL REPLACE TRAFFIC DETECTOR LOOPS
 - VCP 12" CONSTRUCT 12" DIAMETER VITRIFIED-CLAY PIPE.



PROJECT LOCATION MAP

(NTS)

IMPORTANT NOTICE
Section 4216/4217 of the Government Code requires a Dig Alert Identification Number to be issued before a "Permit to Excavate" will be valid. For your Dig Alert ID Number call CALL TOLL FREE 48 HOURS BEFORE YOU DIG UNDERGROUND SERVICE ALERT 1-800-227-2600

ENGINEER IN RESPONSIBLE CHARGE
Michael Katjusian
MICHAEL KATJUSIAN
R.C.E. No. 36686 expires 6/30/2004
DATE 2/6/01

REGISTERED PROFESSIONAL ENGINEER
MICHAEL KATJUSIAN
No. 36686
Exp. 6-30-2004
CIVIL
STATE OF CALIFORNIA

MARK	REVISIONS	APPR	DATE
DESIGNED BY	FYL	DRAWN BY	FYL
CHECKED BY			

CITY OF RIVERSIDE, CALIFORNIA
PUBLIC WORKS DEPARTMENT

APPROVED BY	BY	DATE
DEPUTY P.W. DIR/ENG	<i>[Signature]</i>	2/6/01
PRINCIPAL ENGINEER	<i>[Signature]</i>	2/6/01
INSPECTION	<i>[Signature]</i>	2/6/01
SURVEYOR	<i>[Signature]</i>	2/6/01
STREET SERVICES	<i>[Signature]</i>	2/6/01
TRAFFIC ENGINEER	<i>[Signature]</i>	2/6/01
W O C P		

*AS-BUILT 5-21-03 Lft

UNIVERSITY AVENUE
SEWER REPLACEMENT

HORIZ. SCALE: 1" = 100'

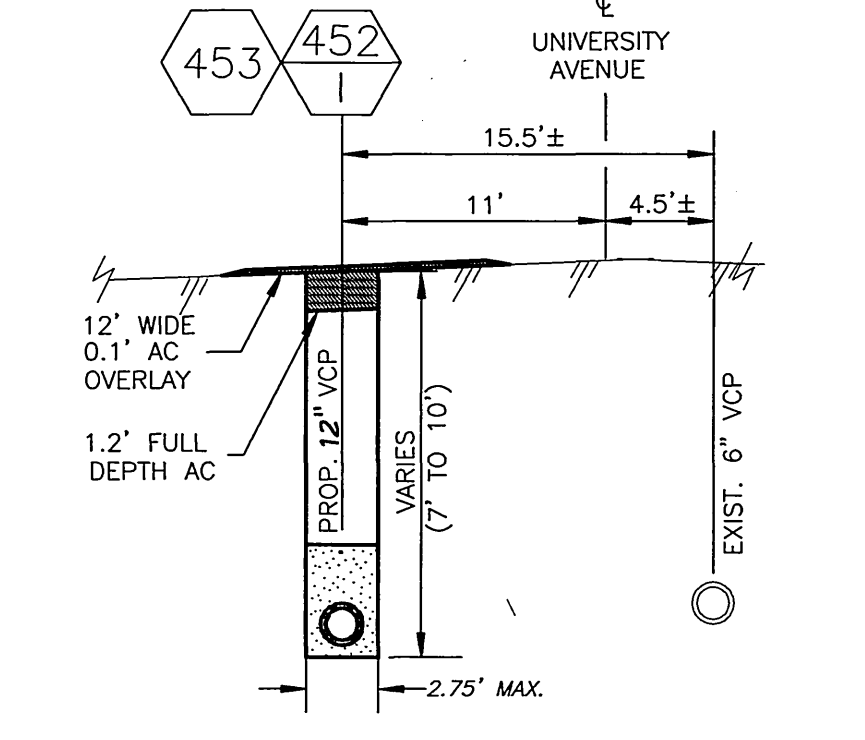
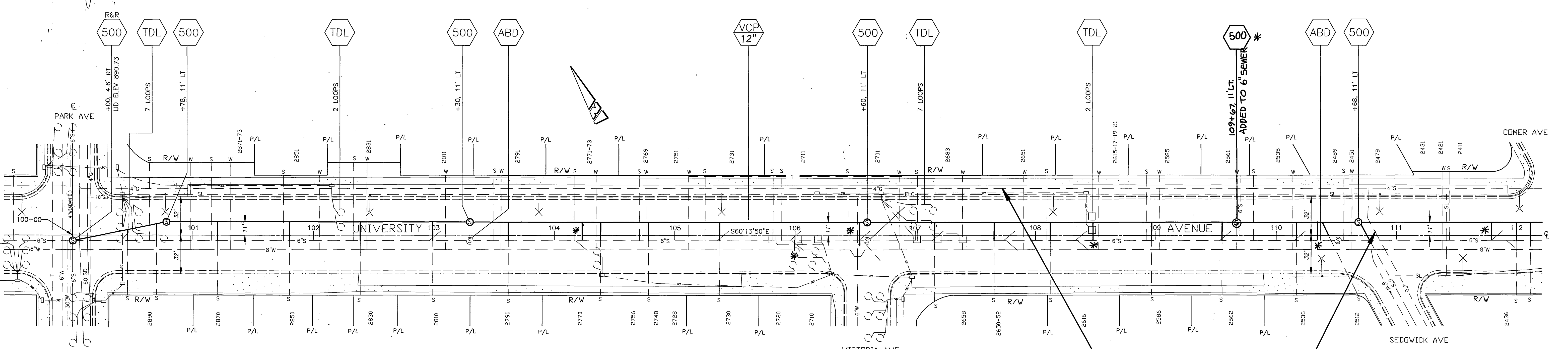
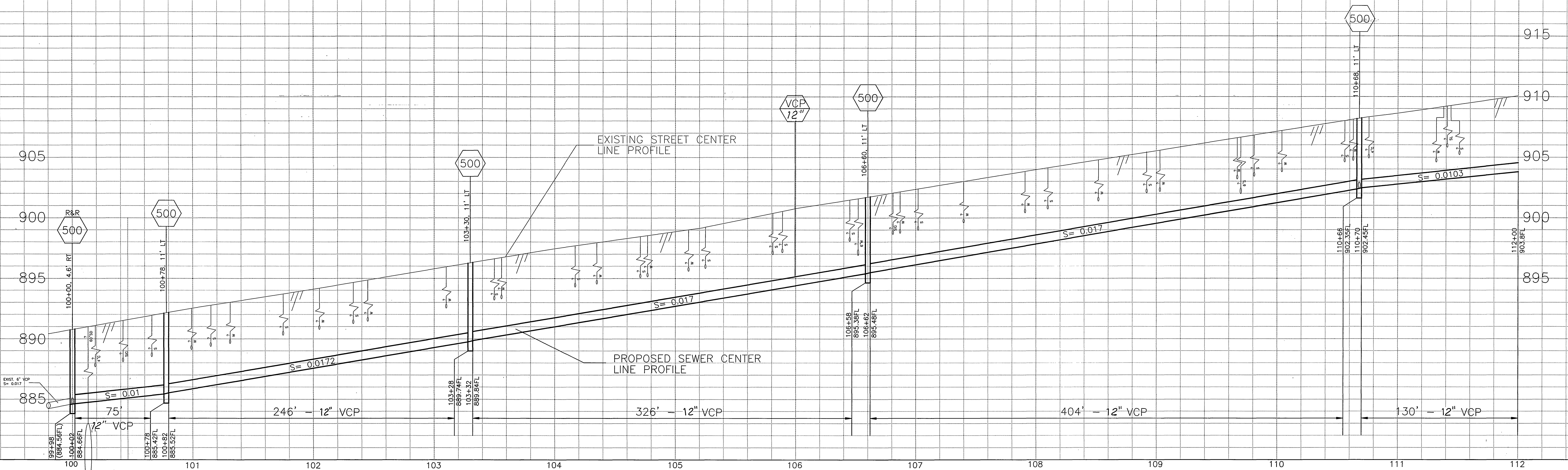
ACCT. NO.: 9748223203-440301XX

S-1743

SHEET 1 OF 3

FILE \\FRANK\DWG\S1743-01

INDEXED 2-28-2001 Lft



CAUTION!!!
4" GAS LINE

BENCHMARK
ID: 17-H3
P.K. NAIL IN THE BASE OF A STREET LIGHT POLE AT THE BACK OF THE CURB OF UNIVERSITY AVENUE, 27' EASTERLY OF THE CENTERLINE OF COMER AVENUE.
ELEVATION: 911.568

ENGINEER IN RESPONSIBLE CHARGE
Michael Katusian
MICHAEL KATUSIAN
R.C.E. No. 35685 expires 6/30/2004
DATE 2/20/01



MARK	REVISIONS	APPR.	DATE

**CITY OF RIVERSIDE, CALIFORNIA
PUBLIC WORKS DEPARTMENT**

APPROVED BY	BY	DATE	APPROVED BY
DEPUTY P.W. DIR./ENG.	<i>[Signature]</i>	2/23/01	<i>R. M. B. [Signature]</i>
PRINCIPAL ENGINEER	<i>[Signature]</i>	2/23/01	PUBLIC WORKS DIRECTOR
INSPECTOR	<i>[Signature]</i>	2/23/01	
SURVEYOR	<i>[Signature]</i>	2/23/01	
STREET SERVICES	<i>[Signature]</i>	2/23/01	
TRAFFIC DIVISION	<i>[Signature]</i>	2/23/01	
W.D.C.P.			

DATE 2-23-2001

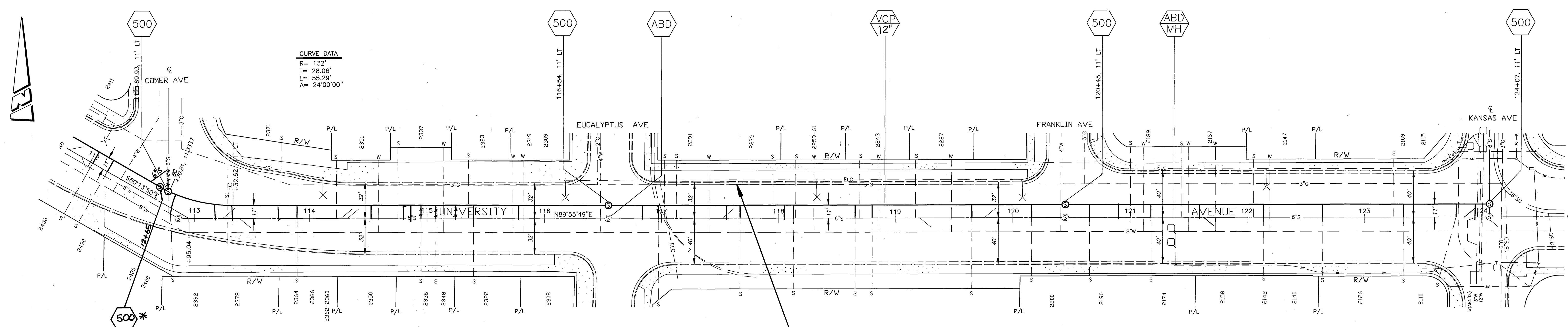
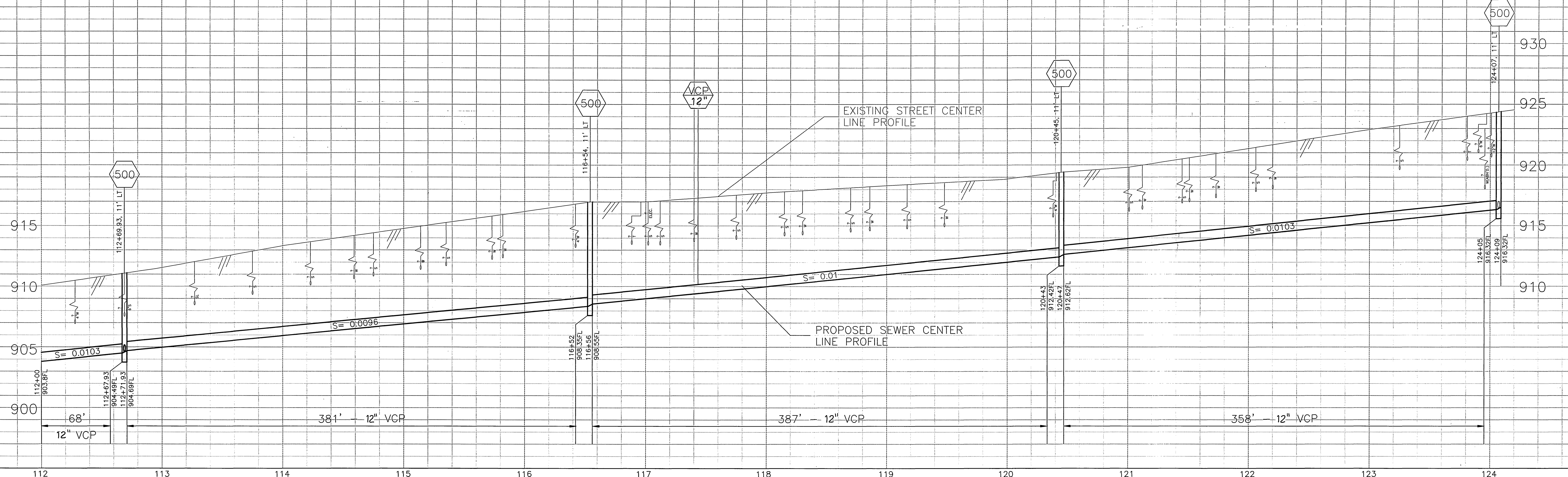
**UNIVERSITY AVENUE
SEWER REPLACEMENT**

ACCT. NO.: 9748223203-440301XX
S-1743
SHEET 2 OF 3
FILE: [G:\FRANK\DWG\ST1743-02

HORIZ. SCALE: 1" = 40' VERT. SCALE: 1" = 4'

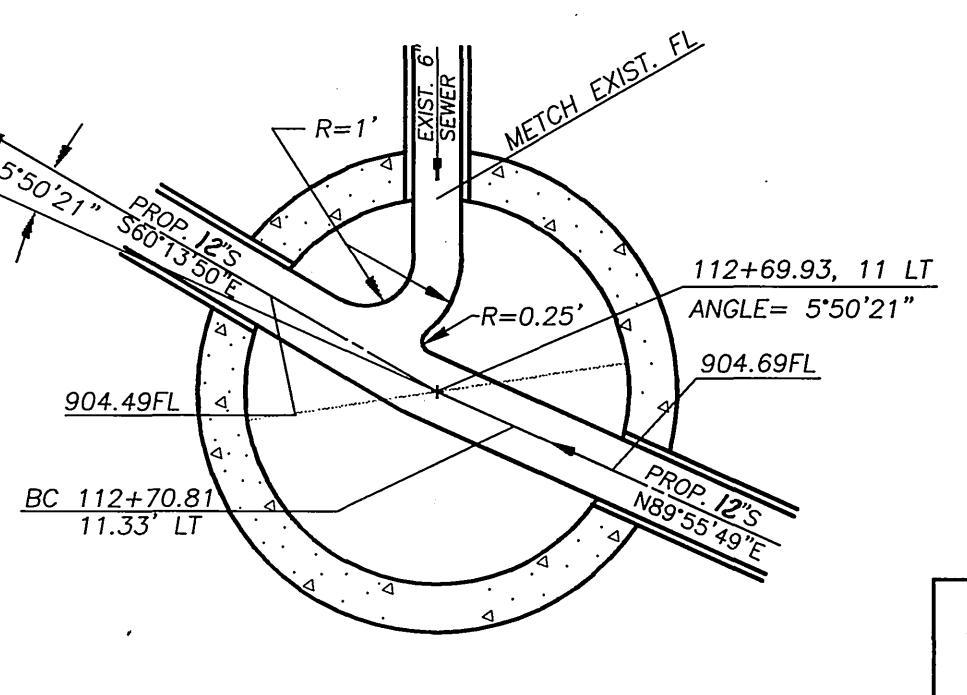
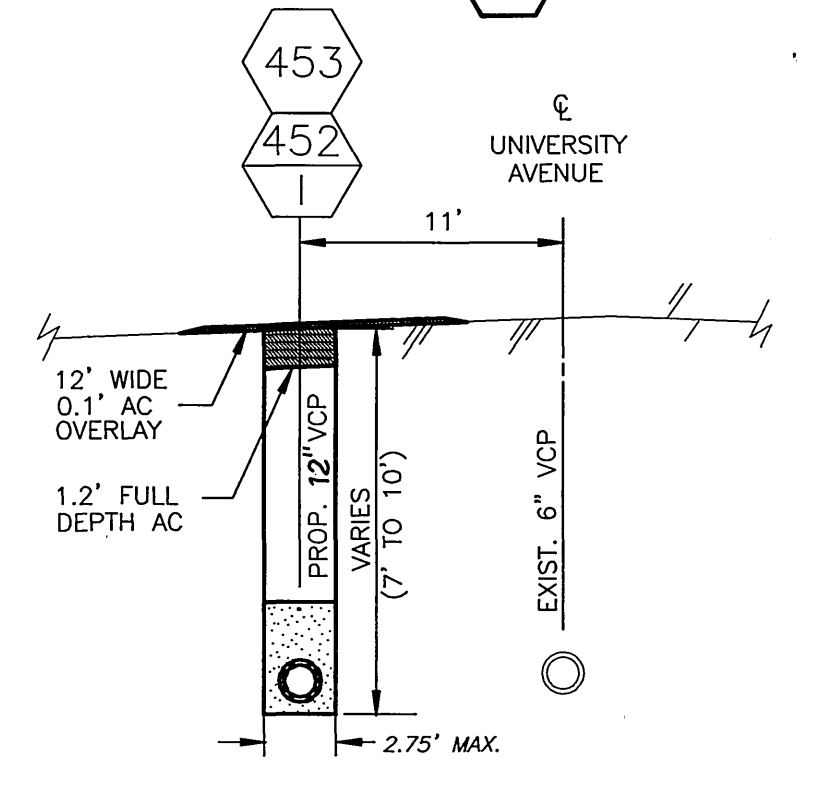
* AS-BUILT 5-21-03 LHM

INDEXED 2-28-2001 LHM



CURVE DATA
 R= 132'
 T= 28.06'
 L= 55.29'
 Δ= 24°00'00"

CAUTION!!!
 3" GAS LINE



BENCHMARK
 ID: 17-H3
 P.K. NAIL IN THE BASE OF A STREET LIGHT POLE AT THE BACK OF THE CURB OF UNIVERSITY AVENUE, 27' EASTERLY OF THE CENTERLINE OF COMER AVENUE.
 ELEVATION: 911.568

ENGINEER IN RESPONSIBLE CHARGE
 Michael Katusian
 MICHAEL KATUSIAN
 R.C.E. No. 36696 expires 6/30/2004
 DATE 2/20/01



CITY OF RIVERSIDE, CALIFORNIA PUBLIC WORKS DEPARTMENT			
APPROVED BY	BY	DATE	APPROVED BY
DEPUTY P.W. DIR./ENG.	<i>[Signature]</i>	2/20/01	<i>[Signature]</i>
PRINCIPAL ENGINEER	<i>[Signature]</i>	2/20/01	PUBLIC WORKS DIRECTOR
INSPECTION	<i>[Signature]</i>	2/20/01	
SURVEYOR	<i>[Signature]</i>	2/20/01	
STREET SERVICES	<i>[Signature]</i>	2/20/01	
TRAFFIC DIVISION	<i>[Signature]</i>	2/20/01	
W.D.C.P.			

*AS-BUILT 5-21-03 LHM
UNIVERSITY AVENUE
SEWER REPLACEMENT

ACCT. NO.: 9748223203-440301AX
S-1743
 SHEET 3 OF 3
 FILE: \C:\FRANK\DWG\51743-03

HORIZ. SCALE: 1" = 40' VERT. SCALE: 1" = 4'

INDEXED 2-28-2001 LHM