

INDEX MAP

SCALE: 1" = 100'

SEWER NOTES

- IT SHALL BE THE RESPONSIBILITY OF THE CONTRACTOR TO CLEAR THE RIGHT OF WAY IN ACCORDANCE WITH THE PROVISIONS OF LAW AS IT AFFECTS EACH UTILITY INCLUDING IRRIGATION LINES AND APPURTENANCES AND AT NO COST TO THE CITY.
- CONSTRUCTION SHALL BE IN ACCORDANCE WITH THE CITY OF RIVERSIDE DEPARTMENT OF PUBLIC WORKS, STANDARD DRAWINGS, ITS SUPPLEMENTAL NOTES AND THE STANDARD SPECIFICATIONS FOR PUBLIC WORKS CONSTRUCTION, CURRENT EDITION.
- THE PRIVATE ENGINEER SIGNING THESE PLANS IS RESPONSIBLE FOR ASSURING THE ACCURACY AND ACCEPTABILITY OF THE WORK HEREON. IN THE EVENT OF DISCREPANCIES ARISING DURING CONSTRUCTION, THE PRIVATE ENGINEER SHALL BE RESPONSIBLE FOR DETERMINING AN ACCEPTABLE SOLUTION AND REVISING THE PLANS FOR APPROVAL BY THE CITY.
- THE DEVELOPER SHALL BE RESPONSIBLE FOR PRESERVING OR RE-ESTABLISHING AND REFERENCING SURVEY MONUMENTS DESTROYED, DISTURBED OR BURIED AS A RESULT OF CONSTRUCTION SHOWN HEREON.
- ALL FLAGGED ELEVATIONS SHALL BE STAKED IN THE FIELD BY THE PRIVATE ENGINEER.
- THE CONTRACTOR SHALL CALL IN A LOCATION REQUEST TO UNDERGROUND SERVICE ALERT (USA), PHONE: 1-800-227-2600, TWO WORKING DAYS BEFORE DIGGING. NO CONSTRUCTION PERMIT WILL BE ISSUED BY PUBLIC WORKS DEPARTMENT INVOLVING EXCAVATION FOR UNDERGROUND FACILITIES UNLESS THE APPLICANT HAS BEEN PROVIDED AN INQUIRY IDENTIFICATION NUMBER BY U.S.A.
- CONTRACTOR IS TO VERIFY EXISTING SEWER LOCATION AND ELEVATION PRIOR TO START OF CONSTRUCTION.
- LOCATION OF LATERALS TO BE DETERMINED IN THE FIELD AT THE DIRECTION OF THE OWNER. AVOID CONFLICT WITH PROPOSED AND/OR EXISTING FACILITIES.
- NO FINISHED FLOOR ELEVATION SHALL BE LESS THAN 6" ABOVE THE UPPER MANHOLE RIM ELEVATION OF THE SEWER LINE SEGMENT BEING CONNECTED TO, WITHOUT HAVING A PROPER BACKWATER VALVE INSTALLED IN THE LATERAL.
- A PLUG SHALL BE INSTALLED AND WILL REMAIN IN PLACE WHERE THE NEW SEWER CONNECTS WITH THE EXISTING SEWER UNTIL THE NEW SEWER IS ACCEPTED BY THE CITY.
- THE SEWER CONTRACTOR SHALL ADJUST MANHOLES TO FINAL GRADE AFTER PAVING IS COMPLETED.
- NO PERSON SHALL PERFORM ANY CONSTRUCTION ACTIVITY OR INSTALL ANY OBJECTS WITHIN THE PUBLIC RIGHTS-OF-WAY OR EASEMENTS OF THE CITY OF RIVERSIDE WITHOUT A VALID CONSTRUCTION PERMIT OR A STREET OPENING PERMIT OR AN ENCROACHMENT PERMIT ISSUED BY THE CITY'S PUBLIC WORKS DEPARTMENT.
- THE CONTRACTOR SHALL COORDINATE TRENCHING FOR CABLE TELEVISION WITH OTHER TRENCHING WITHIN THE SUBDIVISION.

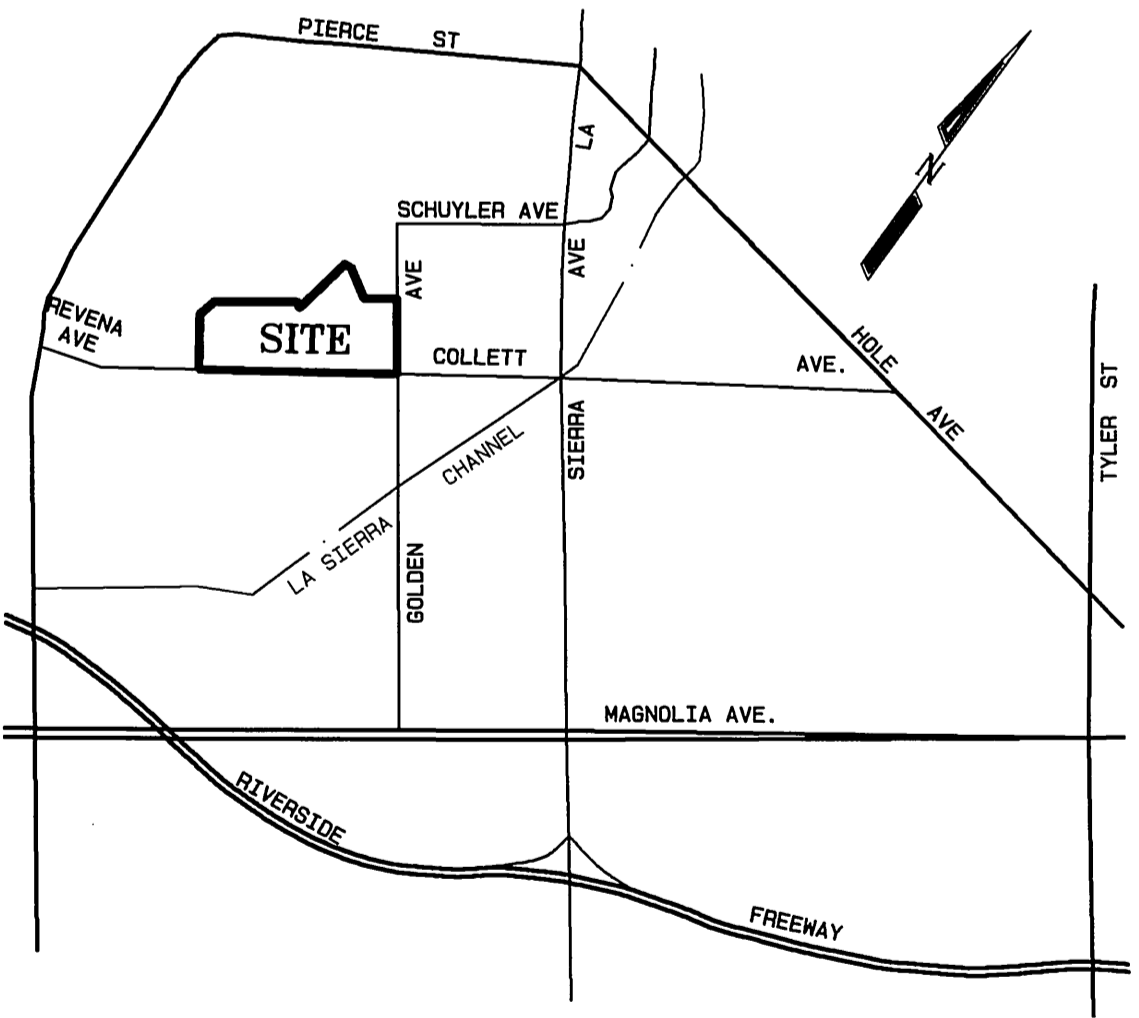
NOTICE TO CONTRACTOR

ACCORDING TO INFORMATION PROVIDED BY UNDERGROUND SERVICE ALERT (U.S.A.) DATED FEBRUARY 18 1999, THE FOLLOWING ORGANIZATIONS ARE U.S.A. MEMBERS WITHIN THE PROJECT AREA:

- | | |
|-----------------------------------|-------------------|
| CHARTER COMMUNICATIONS | MEDIA ONE |
| PACIFIC BELL MOBILE SERVICE | PACIFIC BELL |
| QUESTAR LINE 90 COMPANY | CITY OF RIVERSIDE |
| SANTA ANA WATERSHED PROJECT AUTH. | THE GAS COMPANY |

THE EXISTENCE AND LOCATIONS OF ALL UNDERGROUND UTILITIES (UTILITY PIPES, STRUCTURES, ETC.) SHOWN ON THESE PLANS (MAIN LINES ONLY - NO SERVICE LATERALS) WERE ASCERTAINED BY A REVIEW OF RECORDS PROVIDED BY THESE MEMBER AGENCIES AND ARE APPROXIMATE. NEITHER THE OWNER NOR THE ENGINEER ASSUMES ANY RESPONSIBILITY FOR UTILITIES NOT SHOWN OR NOT IN THE LOCATION SHOWN.

THE CONTRACTOR IS REQUIRED TO TAKE DUE PRECAUTIONARY MEASURES TO PROTECT ALL UTILITIES SHOWN ON THESE PLANS AND/OR ANY OTHER UNDERGROUND UTILITIES NOT OF RECORD OR NOT SHOWN ON THESE PLANS.



VICINITY MAP

NOT TO SCALE

CONSTRUCTION NOTES

- ① CONSTRUCT 8" VCP SEWER
- ② TEMPORARY END CAP
- 452 PIPE BEDDING PER CITY OF RIVERSIDE STD. 452, CASE 1
- 500 CONSTRUCT SEWER MANHOLE PER CITY OF RIVERSIDE STANDARD DWG. NO. 500
- 562A CONSTRUCT 4" SEWER LATERAL W/ CLEANOUT AT PROPERTY LINE PER CITY OF RIVERSIDE STANDARD DWG. NO. 562A

UNDERGROUND SERVICE ALERT
CALL: TOLL FREE
1-800
227-2600
TWO WORKING DAYS BEFORE YOU DIG

BENCH MARK:
CITY OF RIVERSIDE BENCH MARK NO. F2-03 P.K. NAIL AND TAG IN THE MOST SOUTHERLY CURB RETURN AT PIERCE STREET AND GOLDEN AVENUE.
ELEVATION: 722.756

CITY OF RIVERSIDE WATER DEPARTMENT (Sheets 1 thru 5)
APPROVED BY *Rickard J. Ortolano* DATE 1-17-01



CITY BUSINESS TAX CERTIFICATE NO. 005751 EXP. 12-31-00
ALBERT A. WEBB ASSOCIATES CIVIL ENGINEERS
3788 McCRAY STREET RIVERSIDE, CA 92506 (909) 686-1070
APPROVED BY *mo L. Fagan* DATE 12/19/00
R.C.E. NO. C39530

MARK	REVISIONS	APPR.	DATE

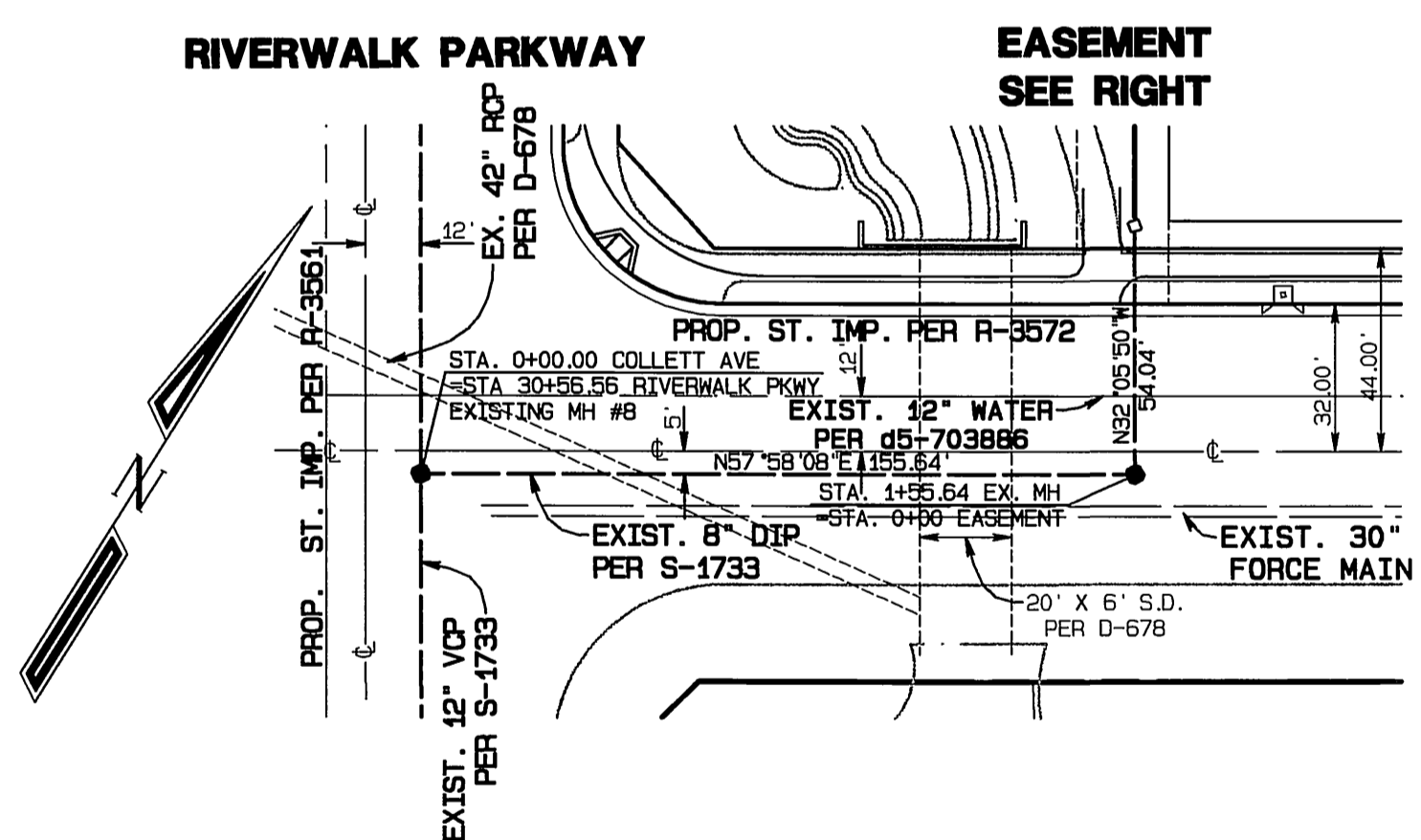
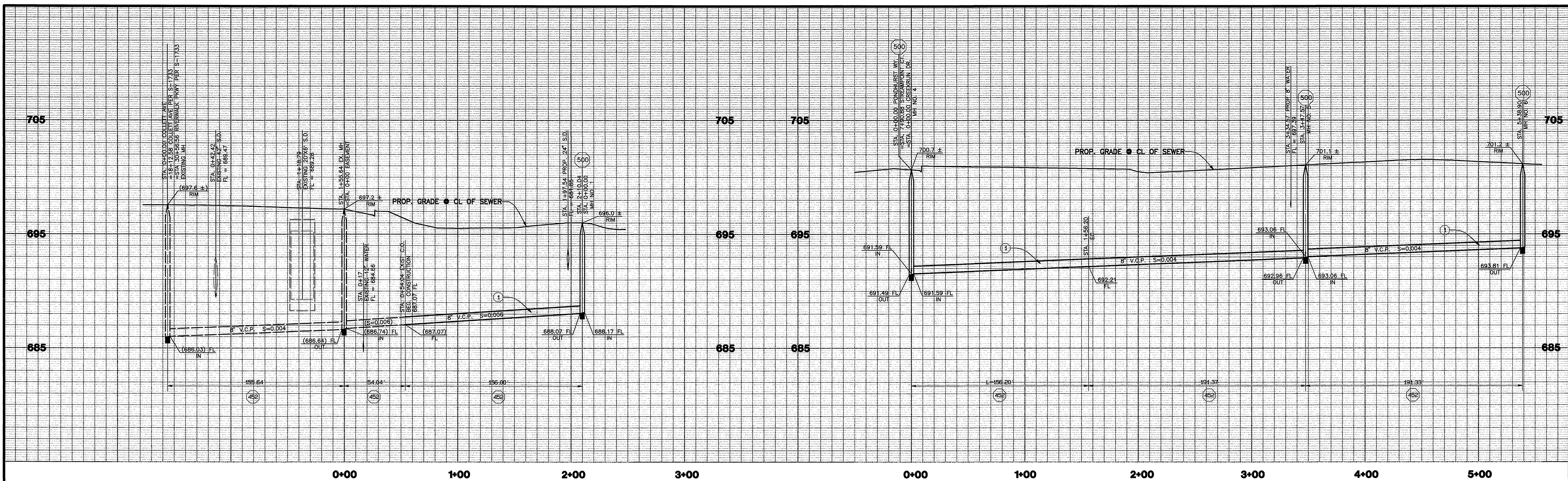
CITY OF RIVERSIDE, CALIFORNIA PUBLIC WORKS DEPARTMENT
APPROVED BY *R. McSwath* DATE 1-29-01
PRINCIPAL ENGINEER
PARK DEPARTMENT
TRAFFIC DIVISION
DEP. P.W. DIRECTOR

SEWER IMPROVEMENT PLANS
TRACT NO. 29088-1
INDEX SHEET
SCALE: AS SHOWN

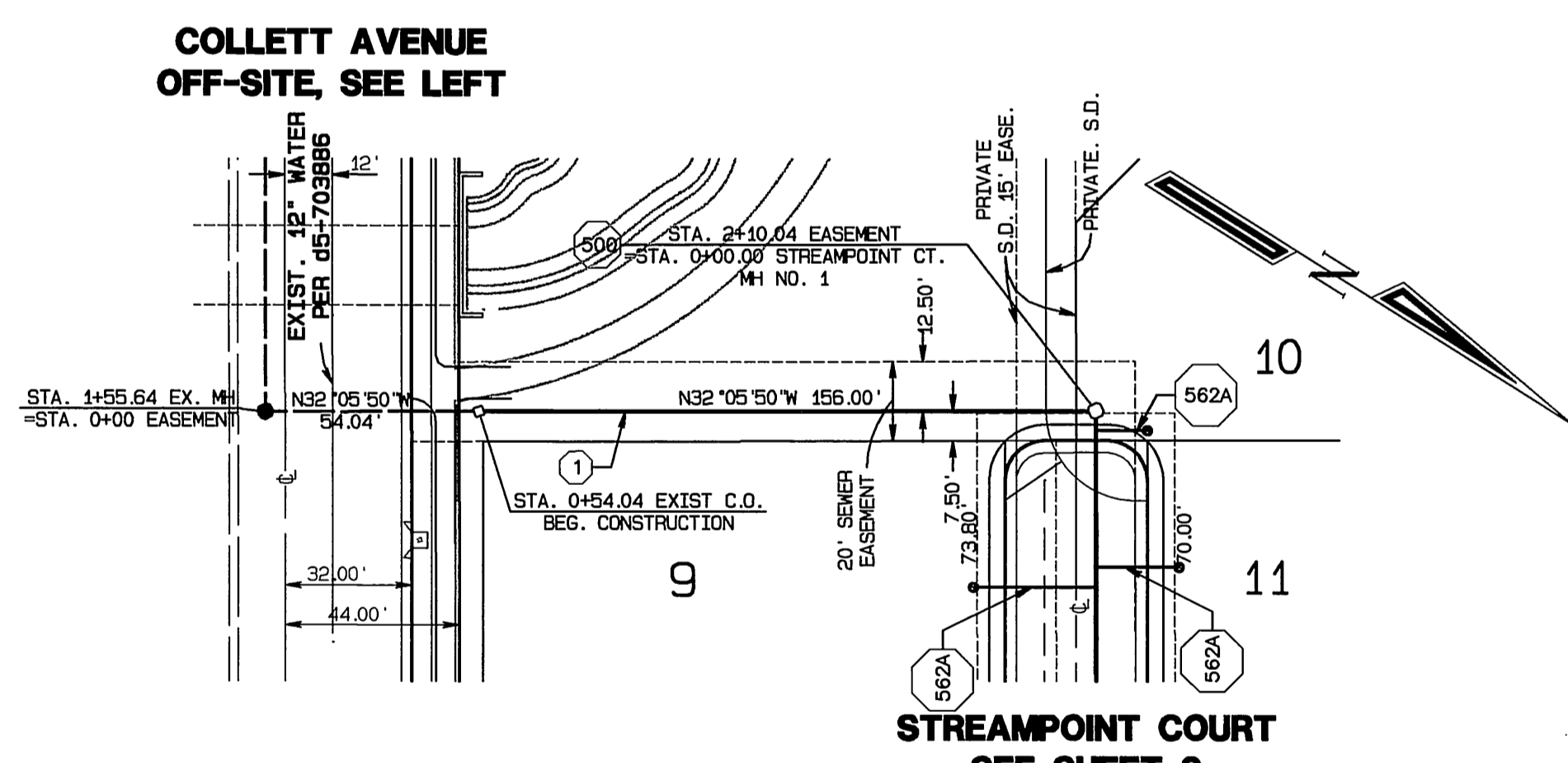
ACCOUNT NO. 99-0381
DRAWING NUMBER **S-1746**
SHEET **1** OF **5**
99-0381

INDEXED 2-07-2001 *gh*

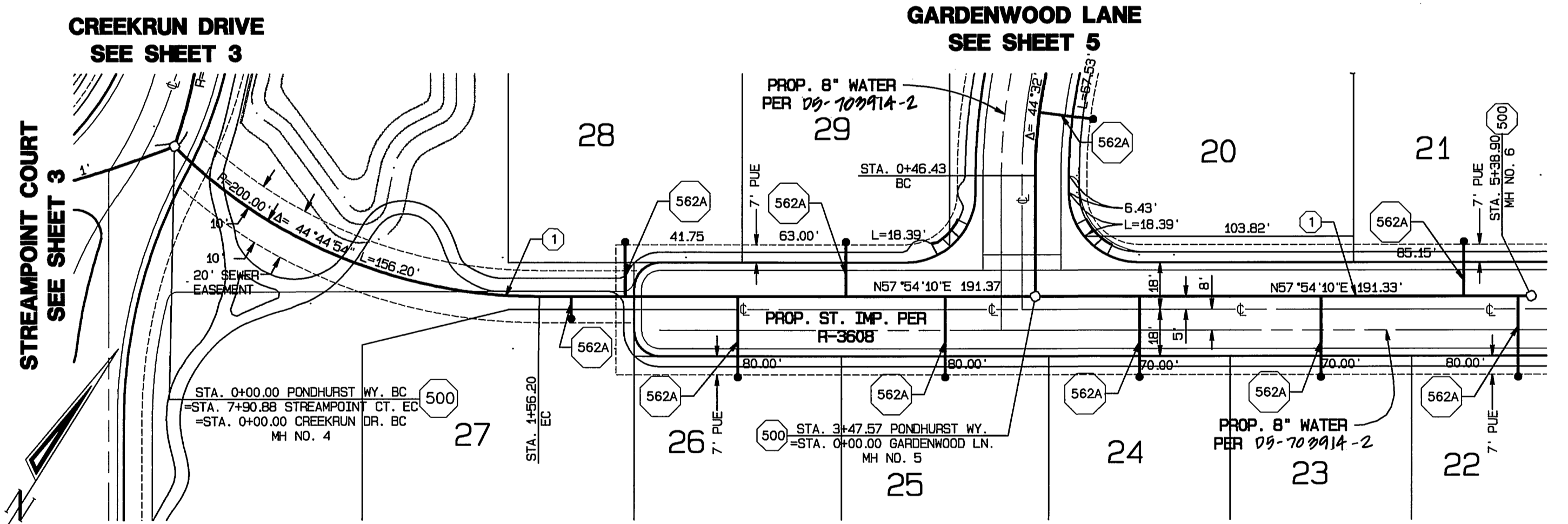
FILE: G:\1999\99-0381\990381SWP.P01 PLOT DATE: 12/19/2000



COLLETT AVENUE
(OFF-SITE)



EASEMENT, COLLETT AVE - STREAMPOINT CT.
(OFF-SITE)



PONDHURST WAY

CONSTRUCTION NOTES

- ① CONSTRUCT 8" VCP SEWER
- ② TEMPORARY END CAP
- 452 PIPE BEDDING PER CITY OF RIVERSIDE STD. 452, CASE 1
- 500 CONSTRUCT SEWER MANHOLE PER CITY OF RIVERSIDE STANDARD DWG. NO. 500
- 562A CONSTRUCT 4" SEWER LATERAL W/ CLEANOUT AT PROPERTY LINE PER CITY OF RIVERSIDE STANDARD DWG. NO. 562A



CITY BUSINESS TAX CERTIFICATE NO. 005751 EXP. 12-31-00

ALBERT A. WEBB ASSOCIATES CIVIL ENGINEERS
3788 McCRAE STREET RIVERSIDE, CA 92506
(909) 686-1070

APPROVED BY: *[Signature]* DATE: 12/19/00
R.C.E. NO. C39530

MARK	REVISIONS	APPR.	DATE

CITY OF RIVERSIDE, CALIFORNIA PUBLIC WORKS DEPARTMENT

APPROVED BY: *[Signature]* BY DATE: 1/29/01
PRINCIPAL ENGINEER

APPROVED BY: *[Signature]* BY DATE: 1/29/01
DIRECTOR OF PUBLIC WORKS

SEWER IMPROVEMENT PLANS

TRACT NO. 29088-1
OFF-SITE, COLLETT AVENUE & PHASE-2 EASEMENT TO STREAMPOINT COURT & PONDHURST WAY

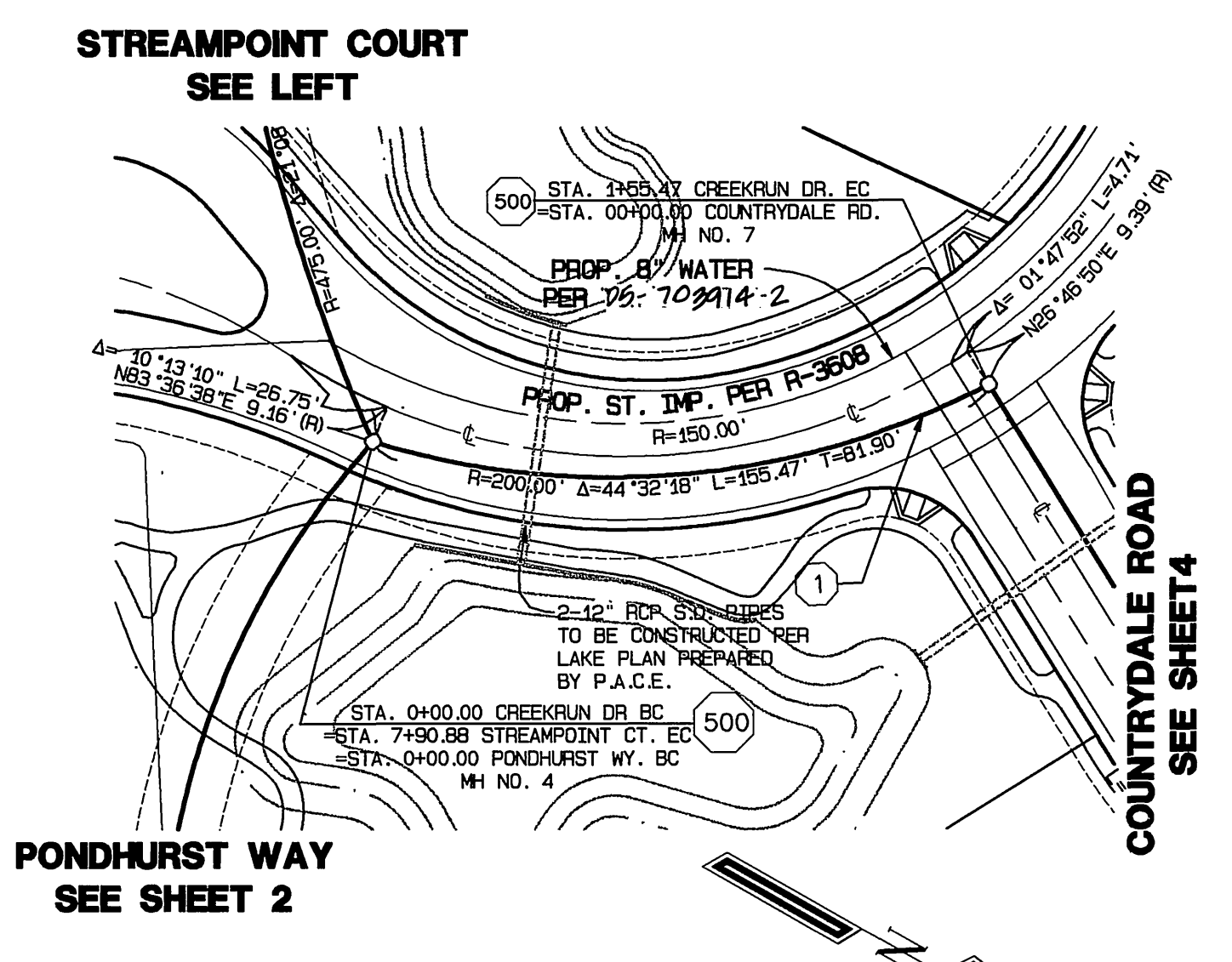
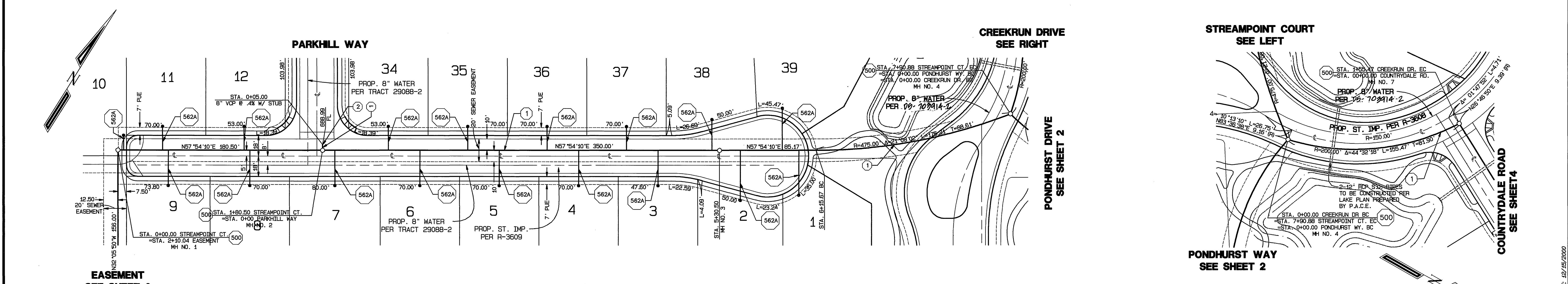
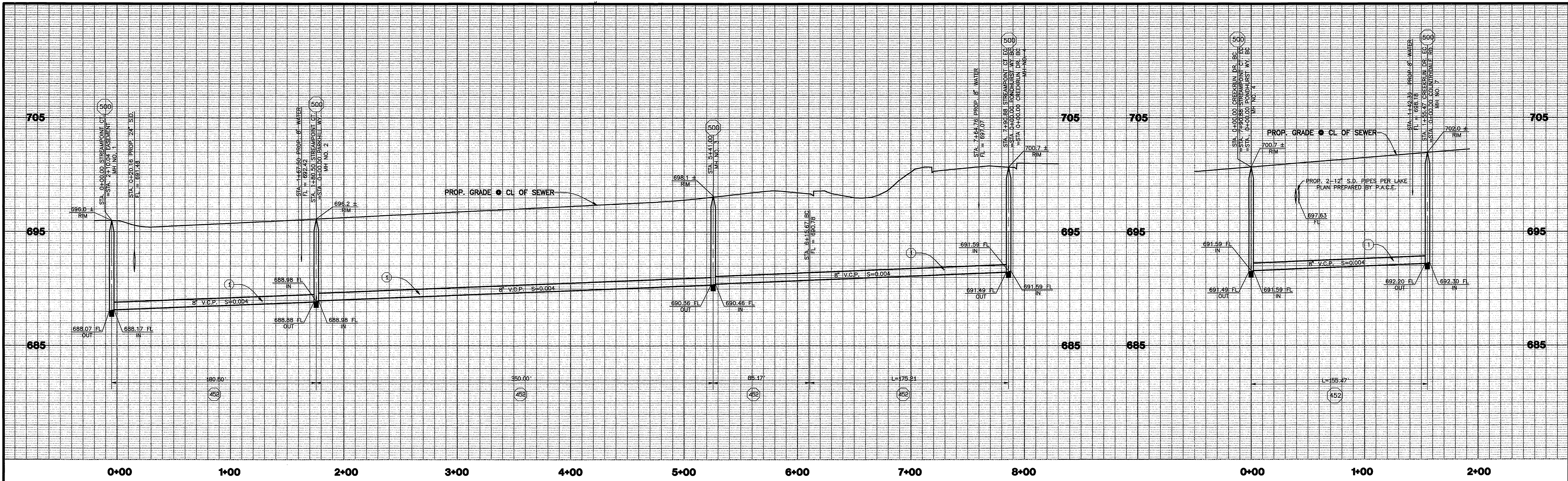
SCALE: HORIZ.: 1"=40' VERT.: 1"=4'

ACCOUNT NO. 99-0381
DRAWING NUMBER **S-1746**
SHEET 2 OF 5
99-0381



BENCH MARK:
CITY OF RIVERSIDE BENCH MARK NO. F2-03 P.K. NAIL AND TAG IN THE MOST SOUTHERLY CURB RETURN AT PIERCE STREET AND GOLDEN AVENUE.
ELEVATION: 722.756

FILE: G:\1999\99-0381\990381SWR.dwg PLOT DATE: 12/19/2000



STREAMPOINT COURT (OFF-SITE)

CONSTRUCTION NOTES

- ① CONSTRUCT 8" VCP SEWER
- ② TEMPORARY END CAP
- ④52 PIPE BEDDING PER CITY OF RIVERSIDE STD. 452, CASE 1
- ⑤00 CONSTRUCT SEWER MANHOLE PER CITY OF RIVERSIDE STANDARD DWG. NO. 500
- ⑤62A CONSTRUCT 4" SEWER LATERAL W/ CLEANOUT AT PROPERTY LINE PER CITY OF RIVERSIDE STANDARD DWG. NO. 562A



CITY BUSINESS TAX CERTIFICATE NO. 005751 EXP. 12-31-00

**ALBERT A. WEBB ASSOCIATES
CIVIL ENGINEERS**
3788 McCRAY STREET RIVERSIDE, CA 92506
(909) 686-1070

APPROVED BY *MOL* DATE 12/19/00
R.C.E. NO. C38530

W.D. 99-0381 FOR: GRIFFIN INDUSTRIES F.B. 1999

MARK	REVISIONS	APPR.	DATE

**CITY OF RIVERSIDE, CALIFORNIA
PUBLIC WORKS DEPARTMENT**

APPROVED BY: *[Signature]* BY DATE: 12/29/01
 PRINCIPAL ENGINEER: *[Signature]*
 PARK DEPARTMENT: *[Signature]*
 TRAFFIC DIVISION: *[Signature]*
 DEP. P.W. DIRECTOR: *[Signature]*

APPROVED BY: *[Signature]* BY DATE: 12/29/01
 DIRECTOR OF PUBLIC WORKS

DATE: 12/29/01

* AS-BUILT 1-9-06 *[Signature]*

SEWER IMPROVEMENT PLANS

TRACT NO. 29088-1
**STREAMPOINT COURT &
CREEKRUN DRIVE**

SCALE: HORIZ.: 1"=40' VERT.: 1"=4'

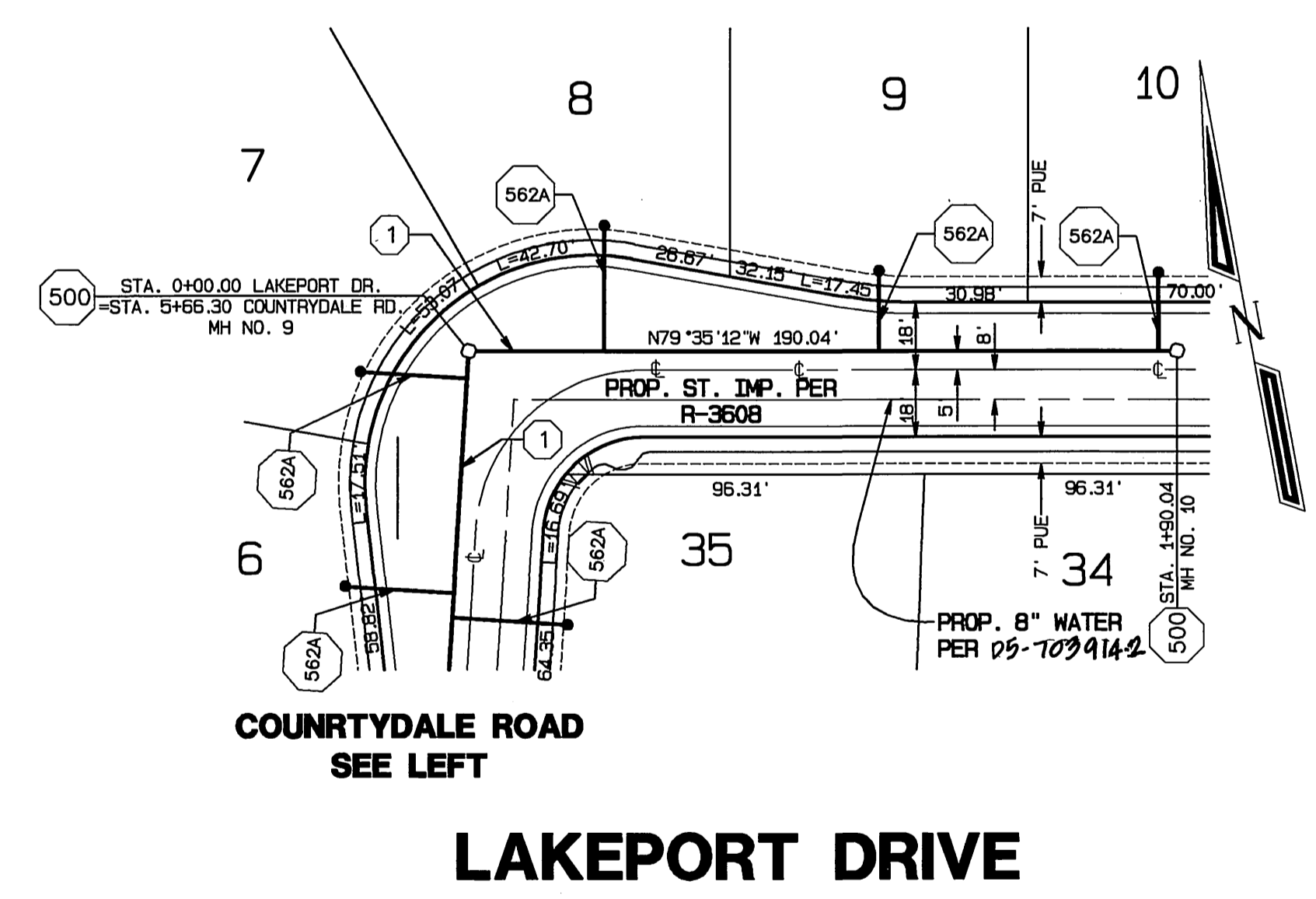
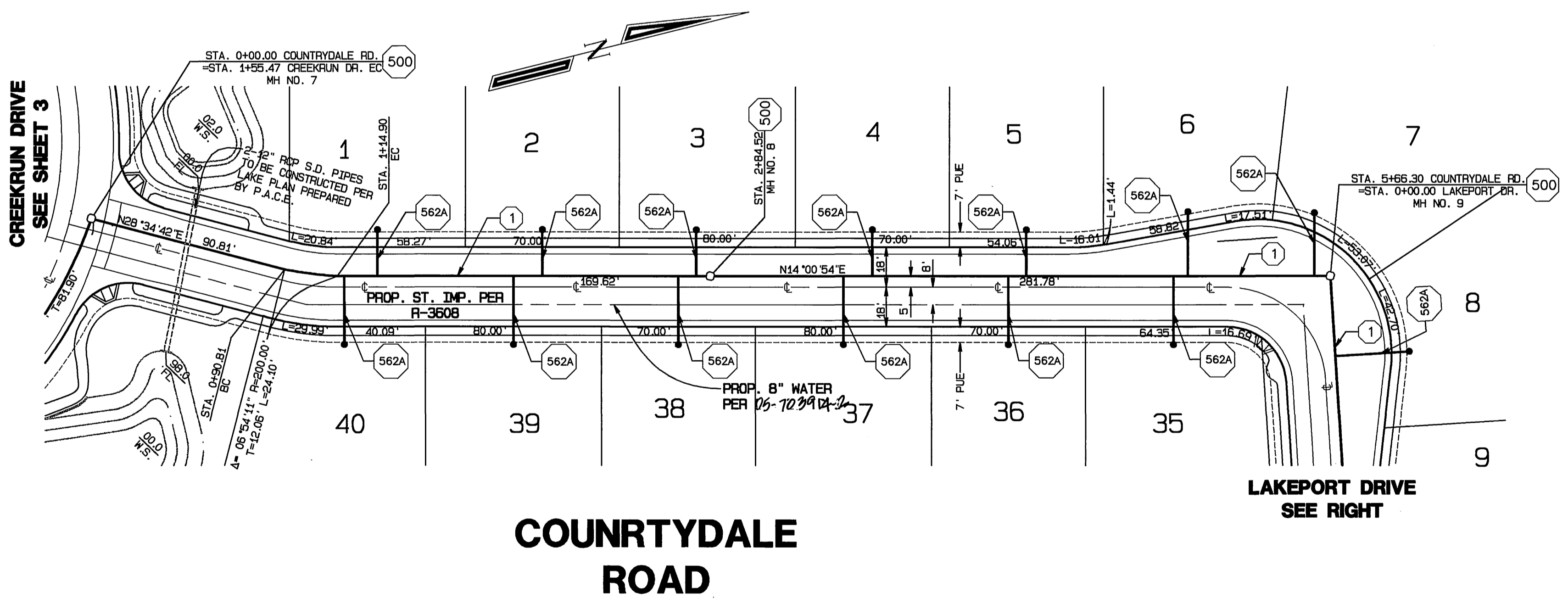
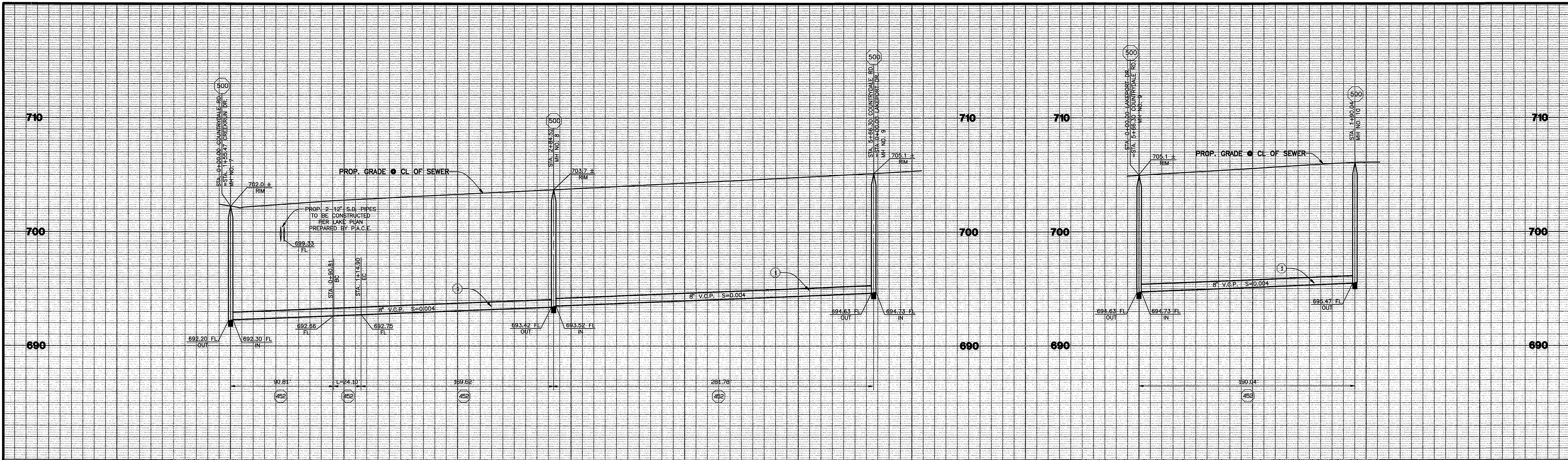
ACCOUNT NO. 99-0381
DRAWING NUMBER
S-1746
SHEET 3 OF 5
99-0381

UNDERGROUND SERVICE ALERT
CALL: TOLL FREE
1-800-227-2600
TWO WORKING DAYS BEFORE YOU DIG

BENCH MARK:
CITY OF RIVERSIDE BENCH MARK NO. F2-03 P.K. NAIL AND TAG IN THE MOST SOUTHERLY CURB RETURN AT PIERCE STREET AND GOLDEN AVENUE.
ELEVATION: 722.756

INDEXED 2-07-2001 *[Signature]*

FILE: G:\1999\99-0381\990381\SMF.DWG PLOT DATE: 12/15/2000



CONSTRUCTION NOTES

- ① CONSTRUCT 8" VCP SEWER
- ② TEMPORARY END CAP
- ④52 PIPE BEDDING PER CITY OF RIVERSIDE STD. 452, CASE 1
- ⑤00 CONSTRUCT SEWER MANHOLE PER CITY OF RIVERSIDE STANDARD DWG. NO. 500
- ⑤62A CONSTRUCT 4" SEWER LATERAL W/ CLEANOUT AT PROPERTY LINE PER CITY OF RIVERSIDE STANDARD DWG. NO. 562A

UNDERGROUND SERVICE ALERT
CALL: TOLL FREE
1-800-227-2600
TWO WORKING DAYS BEFORE YOU DIG

BENCH MARK:
CITY OF RIVERSIDE BENCH MARK NO. F2-03 P.K. NAIL AND TAG IN THE MOST SOUTHERLY CURB RETURN AT PIERCE STREET AND GOLDEN AVENUE.
ELEVATION: 722.756



CITY BUSINESS TAX CERTIFICATE NO. 005751 EXP. 12-31-00
ALBERT A. WEBB ASSOCIATES CIVIL ENGINEERS
3788 McCRAY STREET RIVERSIDE, CA 92506
(909) 686-1070
APPROVED BY: *[Signature]* DATE 12/19/00
R.C.E. NO. C39530

MARK	REVISIONS	APPR.	DATE

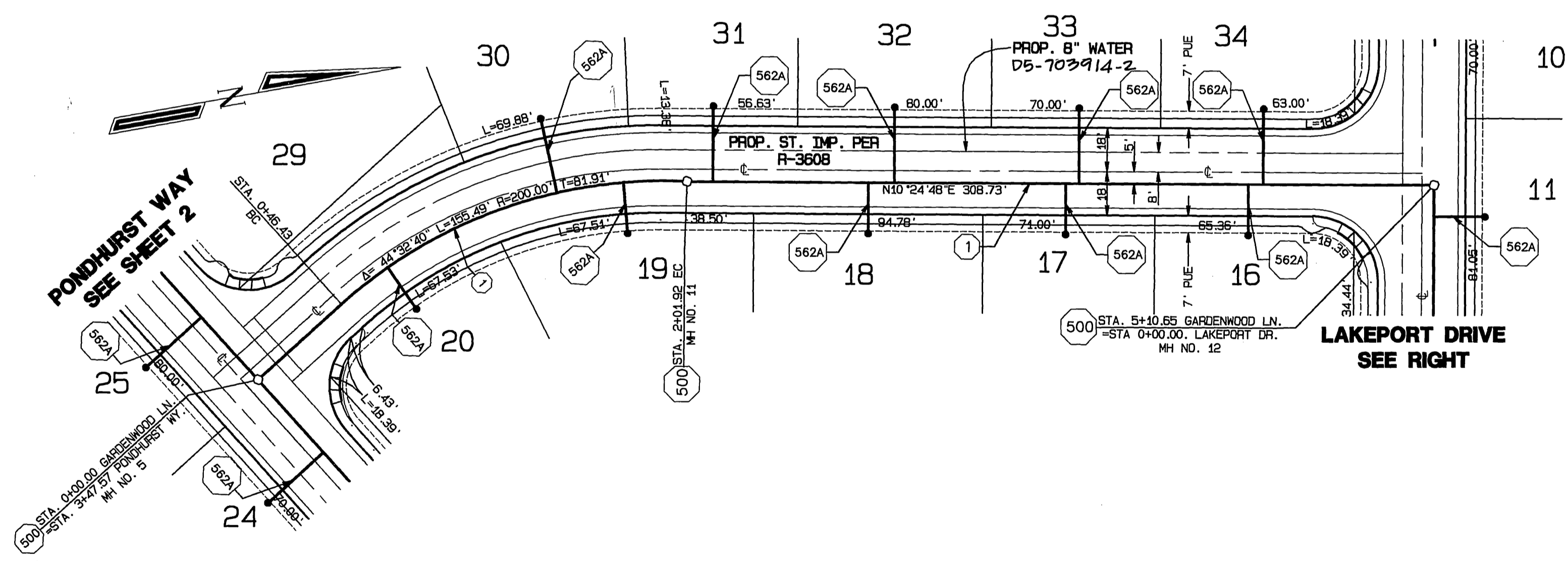
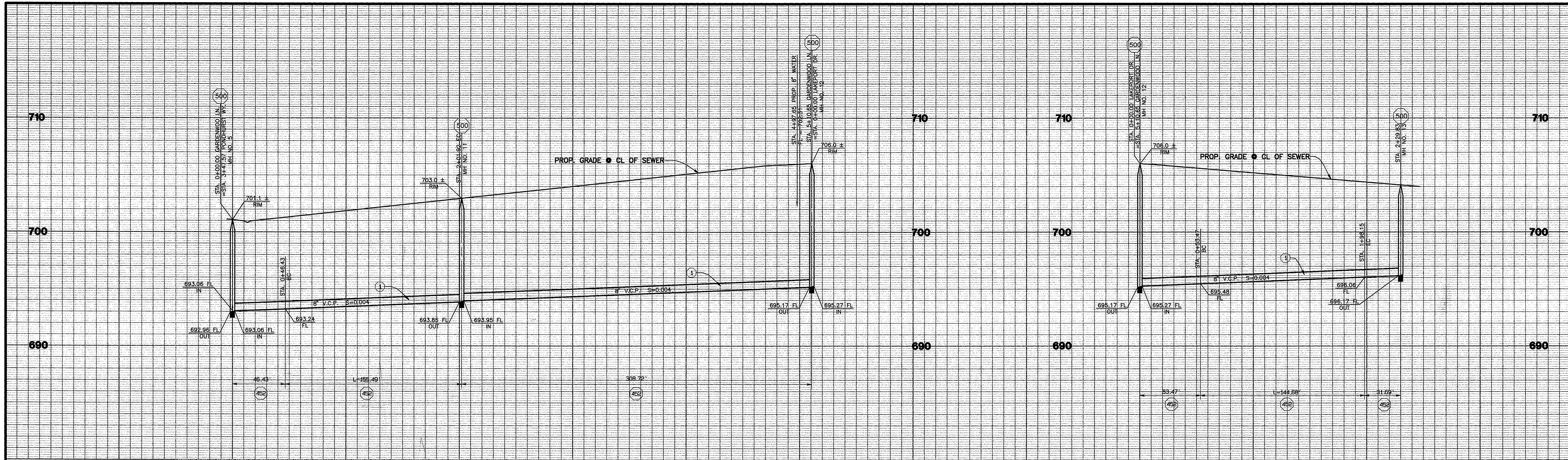
CITY OF RIVERSIDE, CALIFORNIA
PUBLIC WORKS DEPARTMENT
APPROVED BY: *[Signature]* BY DATE: 1/29/01
PRINCIPAL ENGINEER
PARK DEPARTMENT
TRAFFIC DIVISION
DEP. P.W. DIRECTOR
DATE 1-29-01

SEWER IMPROVEMENT PLANS
TRACT NO. 29088-1
COUNRYDALE ROAD
AND LAKEPORT DRIVE
SCALE: HORIZ.: 1"=40' VERT.: 1"=4'

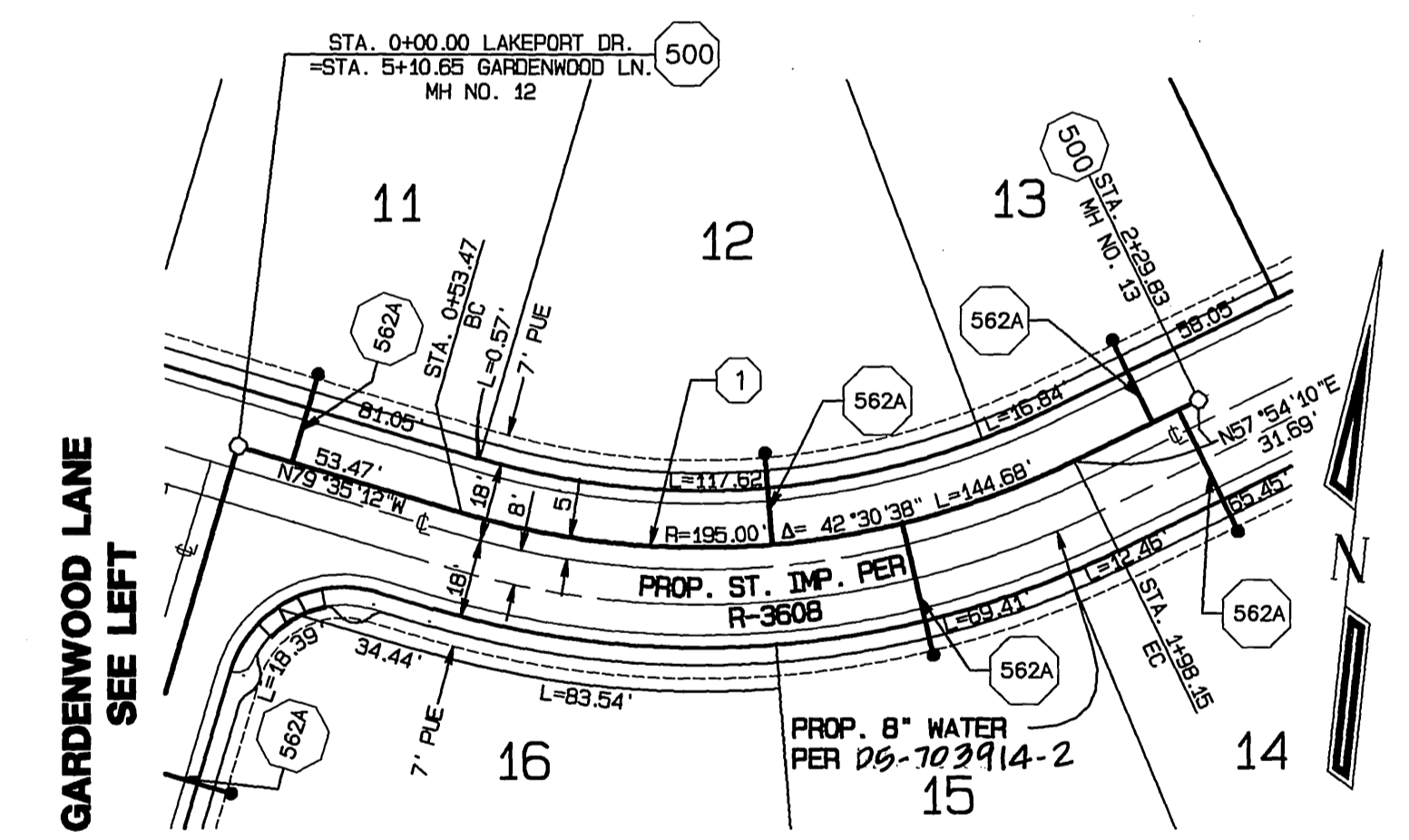
ACCOUNT NO. 99-0381
DRAWING NUMBER
S-1746
SHEET 4 OF 5
99-0381

INDEXED 2-02-2001 Lfh

FILE: G:\1999\99-0381\990381SWR.dwg PLOT DATE: 12/15/2000



GARDENWOOD LANE



LAKEPORT DRIVE

CONSTRUCTION NOTES

- ① CONSTRUCT 8" VCP SEWER
- ② TEMPORARY END CAP
- ④52 PIPE BEDDING PER CITY OF RIVERSIDE STD. 452, CASE 1
- ⑤00 CONSTRUCT SEWER MANHOLE PER CITY OF RIVERSIDE STANDARD DWG. NO. 500
- ⑤62A CONSTRUCT 4" SEWER LATERAL W/ CLEANOUT AT PROPERTY LINE PER CITY OF RIVERSIDE STANDARD DWG. NO. 562A

BENCH MARK:
 CITY OF RIVERSIDE BENCH MARK NO. F2-03 P.K. NAIL AND TAG IN THE MOST SOUTHERLY CURB RETURN AT PIERCE STREET AND GOLDEN AVENUE.
 ELEVATION: 722.756

UNDERGROUND SERVICE ALERT
 CALL: TOLL FREE
 1-800-227-2600
 TWO WORKING DAYS BEFORE YOU DIG



CITY BUSINESS TAX CERTIFICATE NO. 005751 EXP. 12-31-00
ALBERT A. WEBB ASSOCIATES CIVIL ENGINEERS
 3788 McCRAY STREET RIVERSIDE, CA 92506 (909) 686-1070
 APPROVED BY: [Signature] DATE: 12/19/00
 R.C.E. NO. C39530

MARK	REVISIONS	APPR.	DATE

CITY OF RIVERSIDE, CALIFORNIA PUBLIC WORKS DEPARTMENT
 APPROVED BY: [Signature] DATE: 1-29-01
 R. M. Smith
 DIRECTOR OF PUBLIC WORKS

SEWER IMPROVEMENT PLANS
TRACT NO. 29088-1
GARDENWOOD LANE AND LAKEPORT DRIVE
 SCALE: HORIZ.: 1"=40' VERT.: 1"=4'

ACCOUNT NO. 99-0381
 DRAWING NUMBER
S-1746
 SHEET **5** OF **5**
 99-0381

INDEXED 2-07-2001 [Signature]

FILE: G:\990199-0381\990381SWR.PLOT DATE: 12/15/2000