

GENERAL NOTES

- IT SHALL BE THE RESPONSIBILITY OF THE CONTRACTOR TO CLEAR THE RIGHT OF WAY IN ACCORDANCE WITH THE PROVISIONS OF LAW AS IT AFFECTS EACH UTILITY INCLUDING IRRIGATION LINES AND APPURTENANCES AND AT NO COST TO THE CITY.
- CONSTRUCTION SHALL BE IN ACCORDANCE WITH THE CITY OF RIVERSIDE DEPARTMENT OF PUBLIC WORKS, STANDARD DRAWINGS, ITS SUPPLEMENTAL NOTES AND THE STANDARD SPECIFICATIONS FOR PUBLIC WORKS CONSTRUCTION, CURRENT EDITION.
- THE PRIVATE ENGINEER SIGNING THESE PLANS IS RESPONSIBLE FOR ASSURING THE ACCURACY AND ACCEPTABILITY OF THE WORK HEREON. IN THE EVENT OF DISCREPANCIES ARISING DURING CONSTRUCTION, THE PRIVATE ENGINEER SHALL BE RESPONSIBLE FOR DETERMINING AN ACCEPTABLE SOLUTION AND REVISING THE PLANS FOR APPROVAL BY THE CITY.
- THE DEVELOPER SHALL BE RESPONSIBLE FOR PRESERVING OR RE-ESTABLISHING AND REFERENCING SURVEY MONUMENTS DESTROYED, DISTURBED OR BURIED AS A RESULT OF CONSTRUCTION SHOWN HEREON.
- ALL FLAGGED ELEVATIONS SHALL BE STAKED IN THE FIELD BY THE PRIVATE ENGINEER.
- THE CONTRACTOR SHALL CALL IN A LOCATION REQUEST TO UNDERGROUND SERVICE ALERT (USA), PHONE 1-800-227-2600, TWO WORKING DAYS BEFORE DIGGING. NO CONSTRUCTION PERMIT WILL BE ISSUED BY PUBLIC WORKS DEPARTMENT INVOLVING EXCAVATION FOR UNDERGROUND FACILITIES UNLESS THE APPLICANT HAS BEEN PROVIDED AN INQUIRY IDENTIFICATION NUMBER BY U.S.A.
- CONTRACTOR IS TO VERIFY EXISTING SEWER LOCATION AND ELEVATION PRIOR TO START OF CONSTRUCTION.
- LOCATION OF LATERALS TO BE DETERMINED IN THE FIELD AT THE DIRECTION OF THE OWNER. AVOID CONFLICT WITH PROPOSED AND/OR EXISTING FACILITIES.
- NO FINISHED FLOOR ELEVATION SHALL BE LESS THAN 6" ABOVE THE UPPER MANHOLE RIM ELEVATION OF THE SEWER LINE SEGMENT BEING CONNECTED TO, WITHOUT HAVING A PROPER BACKWATER VALVE INSTALLED IN THE LATERAL.
- A PLUG SHALL BE INSTALLED AND WILL REMAIN IN PLACE WHERE THE NEW SEWER CONNECTS WITH THE EXISTING SEWER UNTIL THE NEW SEWER IS ACCEPTED BY THE CITY.
- THE SEWER CONTRACTOR SHALL ADJUST MANHOLES TO FINAL GRADE AFTER PAVING IS COMPLETED.
- NO PERSON SHALL PERFORM ANY CONSTRUCTION ACTIVITY OR INSTALL ANY OBJECTS WITHIN THE PUBLIC RIGHTS-OF-WAY OR EASEMENTS OF THE CITY OF RIVERSIDE WITHOUT A VALID CONSTRUCTION PERMIT OR, A STREET OPENING PERMIT OR AN ENCROACHMENT PERMIT ISSUED BY THE CITY'S PUBLIC WORKS DEPARTMENT.
- THE CONTRACTOR SHALL COORDINATE TRENCHING FOR CABLE TELEVISION WITH OTHER TRENCHING WITHIN THE SUBDIVISION.

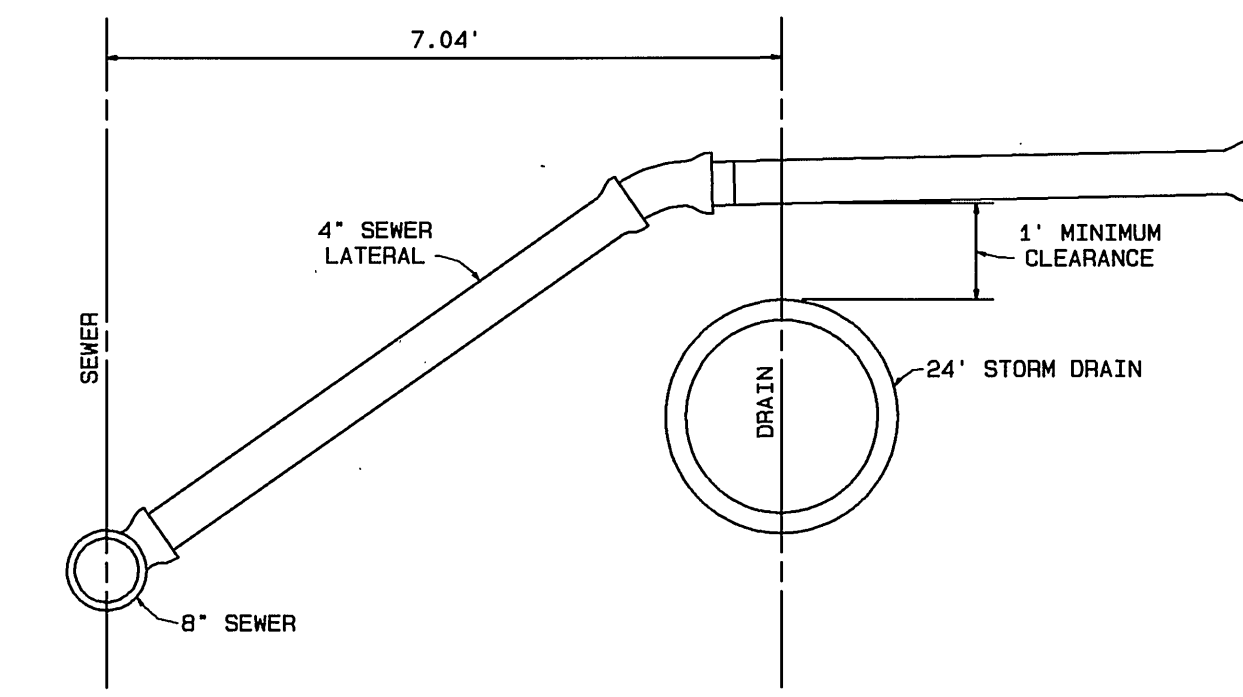
NOTICE TO CONTRACTOR

ACCORDING TO INFORMATION PROVIDED BY UNDERGROUND SERVICE ALERT (U.S.A.) DATED FEBRUARY 18 1999 , THE FOLLOWING ORGANIZATIONS ARE U.S.A. MEMBERS WITHIN THE PROJECT AREA:

CHARTER COMMUNICATIONS	MEDIA ONE
PACIFIC BELL MOBILE SERVICE	PACIFIC BELL
QUESTAR LINE 90 COMPANY	CITY OF RIVERSIDE
SANTA ANA WATERSHED PROJECT AUTH.	THE GAS COMPANY

THE EXISTENCE AND LOCATIONS OF ALL UNDERGROUND UTILITIES (UTILITY PIPES, STRUCTURES, ETC.) SHOWN ON THESE PLANS (MAIN LINES ONLY - NO SERVICE LATERALS) WERE ASCERTAINED BY A REVIEW OF RECORDS PROVIDED BY THESE MEMBER AGENCIES AND ARE APPROXIMATE. NEITHER THE OWNER NOR THE ENGINEER ASSUMES ANY RESPONSIBILITY FOR UTILITIES NOT SHOWN OR NOT IN THE LOCATION SHOWN.

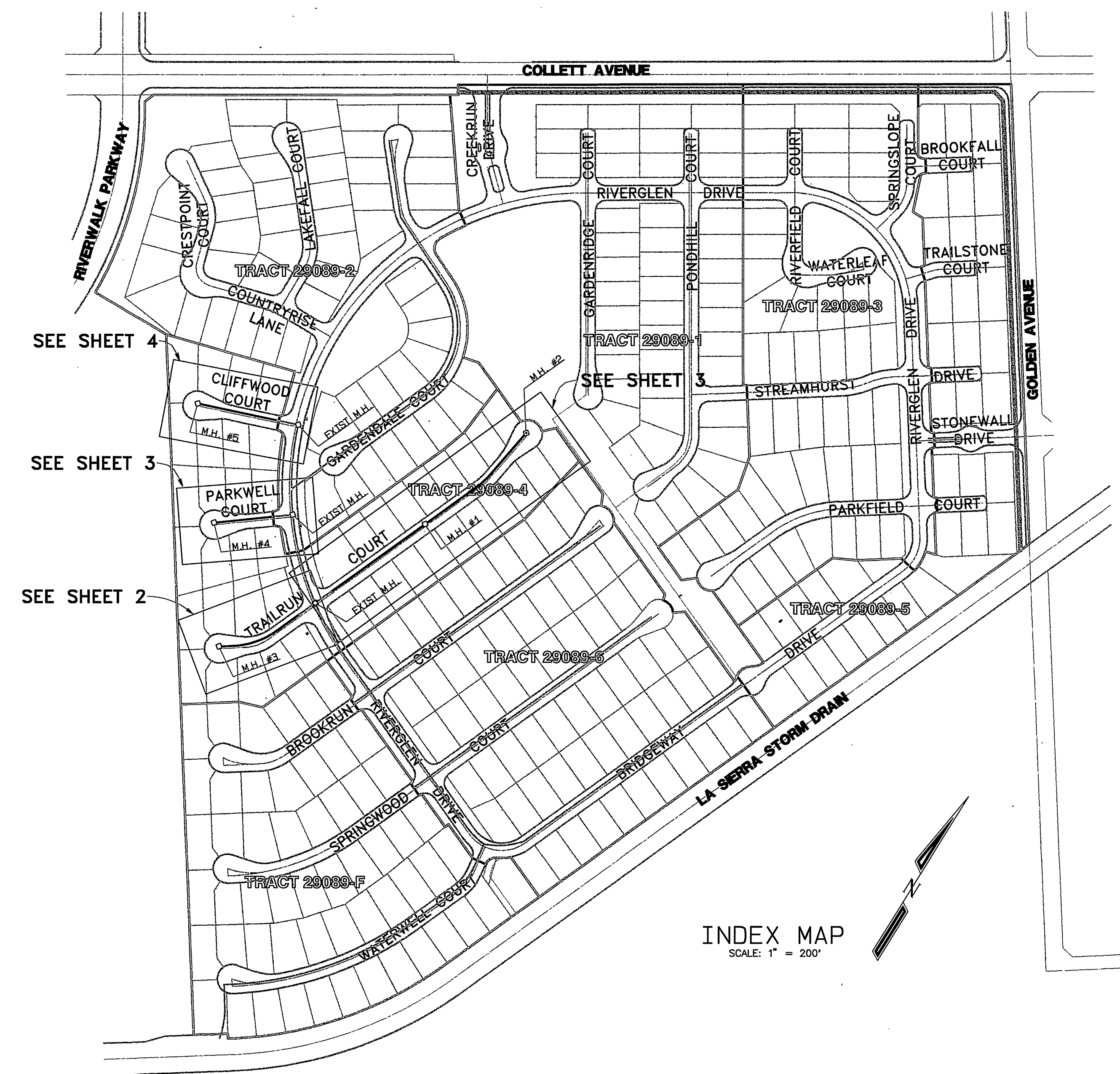
THE CONTRACTOR IS REQUIRED TO TAKE DUE PRECAUTIONARY MEASURES TO PROTECT ALL UTILITIES SHOWN ON THESE PLANS AND/OR ANY OTHER UNDERGROUND UTILITIES NOT OF RECORD OR NOT SHOWN ON THESE PLANS.



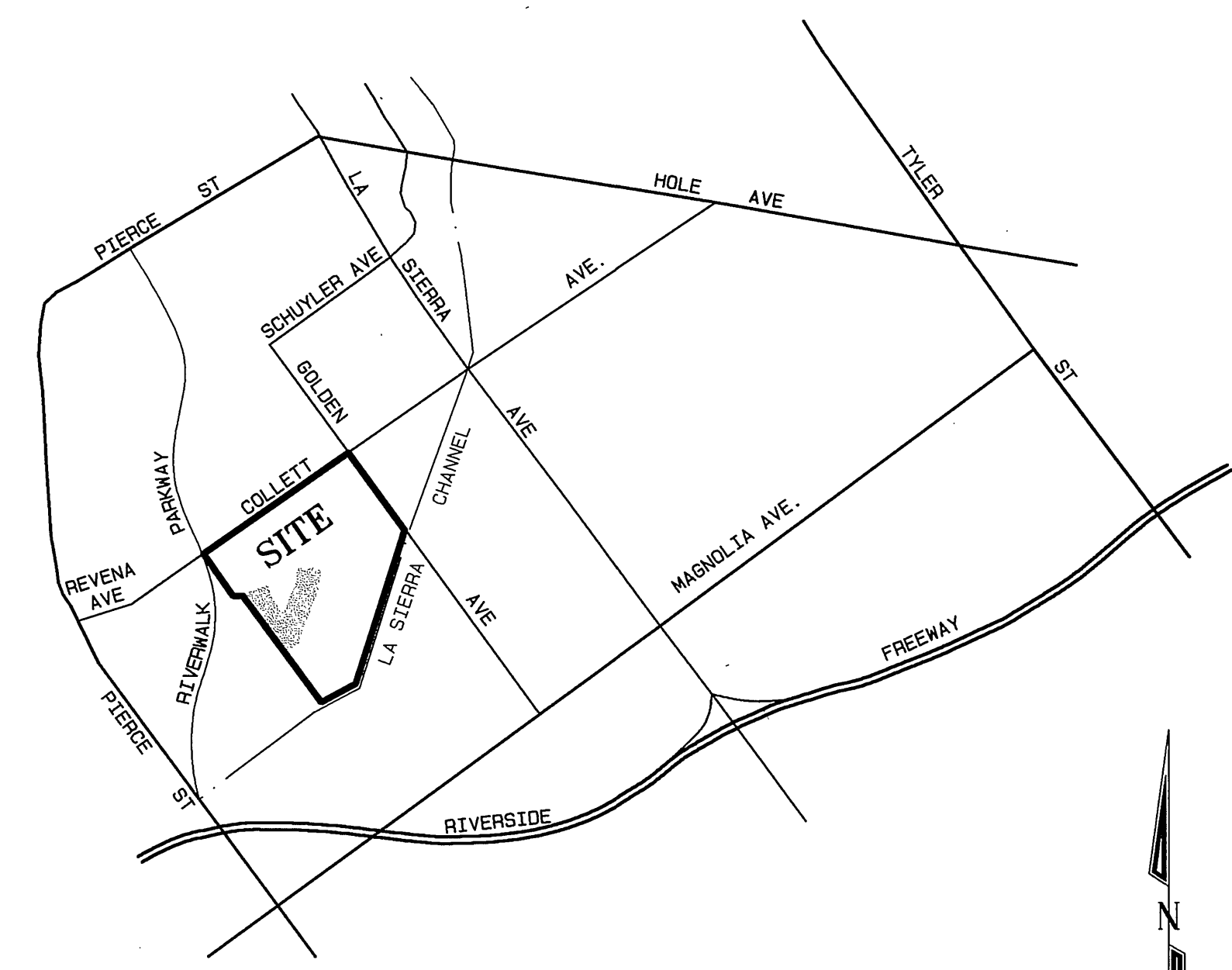
3 MODIFIED SEWER LATERAL
NOT TO SCALE

CONSTRUCTION NOTES

- CONSTRUCT 8" VCP SEWER
- REMOVE TEMPORARY END CAP
- SEWER LATERAL TO BE CONSTRUCTED PER DETAIL HEREON
- 452 PIPE BEDDING PER CITY OF RIVERSIDE STD. NO. 452, CASE I
- 500 CONSTRUCT SEWER MANHOLE PER CITY OF RIVERSIDE STANDARD DWG. NO. 500
- 562A CONSTRUCT 4" SEWER LATERAL WITH CLEANOUT @ PROPERTY LINE PER CITY OF RIVERSIDE STANDARD DWG. NO. 562A (* INDICATES LATERALS TO BE LAID FLAT)



INDEX MAP
SCALE: 1" = 200'



VICINITY MAP
NOT TO SCALE



BENCH MARK:
CITY OF RIVERSIDE BENCH MARK NO E2-H3
P.K. NAIL AND TAG IN THE CENTER OF THE MOST NORTHERLY CURB RETURN OF COLLETT AVENUE AND GOLDEN AVENUE
ELEVATION: 697.978

CITY OF RIVERSIDE
WATER DEPARTMENT
APPROVED BY *Richard A. Decker* DATE 4/09/01



CITY BUSINESS TAX CERTIFICATE NO. 005751 EXP. 12-31-01
ALBERT A. WEBB ASSOCIATES
3788 McCray Street RIVERSIDE, CA 92506
(909) 686-1070
APPROVED BY *Albert A. Webb* DATE 3/19/01
R.C.E. No. C39530

MARK	REVISIONS	APPR.	DATE

CITY OF RIVERSIDE, CALIFORNIA
PUBLIC WORKS DEPARTMENT
APPROVED BY *R. McDrath* DATE 5-15-00
PRINCIPAL ENGINEER
TRAFFIC DIVISION
DEP. P.W. DIRECTOR

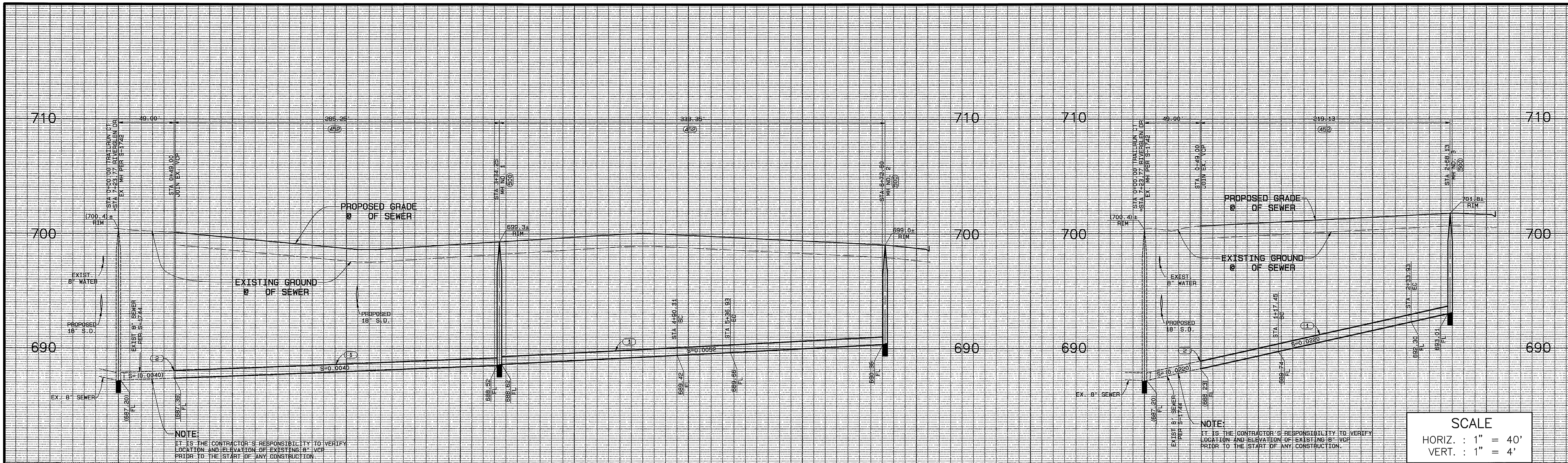
SEWER IMPROVEMENT PLANS
TRACT NO. 29089-4
INDEX SHEET
SCALE: AS SHOWN

ACCOUNT NO.
DRAWING NUMBER
S-1751
SHEET 1 OF 3
99-0204

*AS-BUILT 5-19-06 4H

INDEXED 6-20-01 4H

FILE: C:\US9519-0204\950204_SRF.dwg PLOT DATE: 9/2/2001

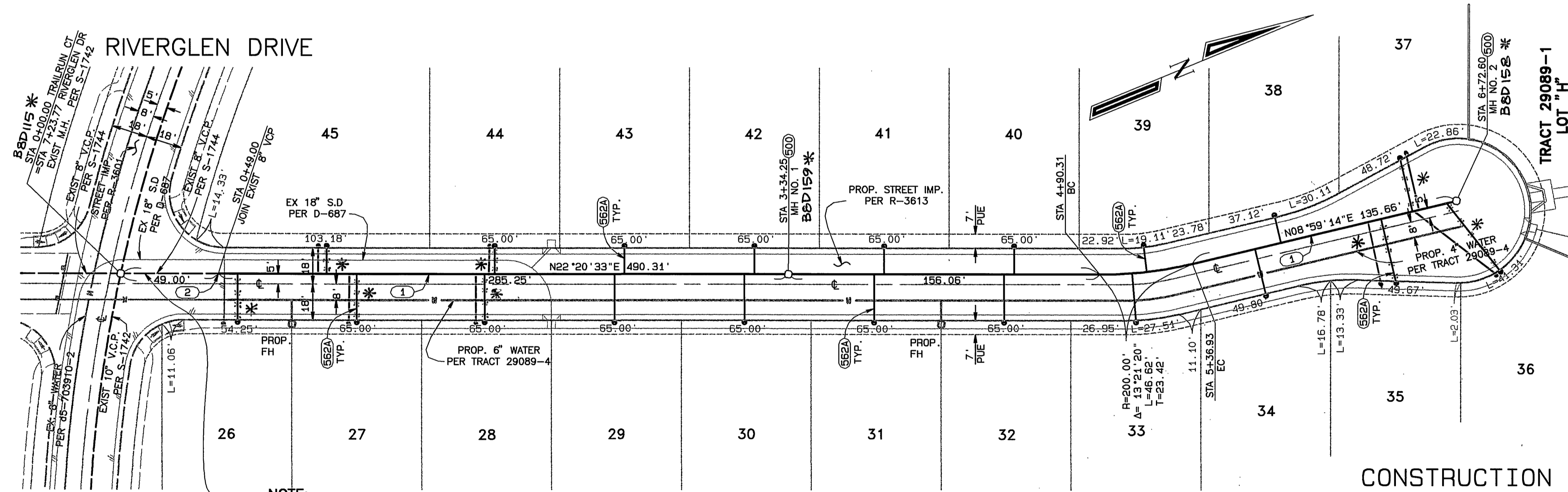


NOTE:
IT IS THE CONTRACTOR'S RESPONSIBILITY TO VERIFY LOCATION AND ELEVATION OF EXISTING 8" VCP PRIOR TO THE START OF ANY CONSTRUCTION.

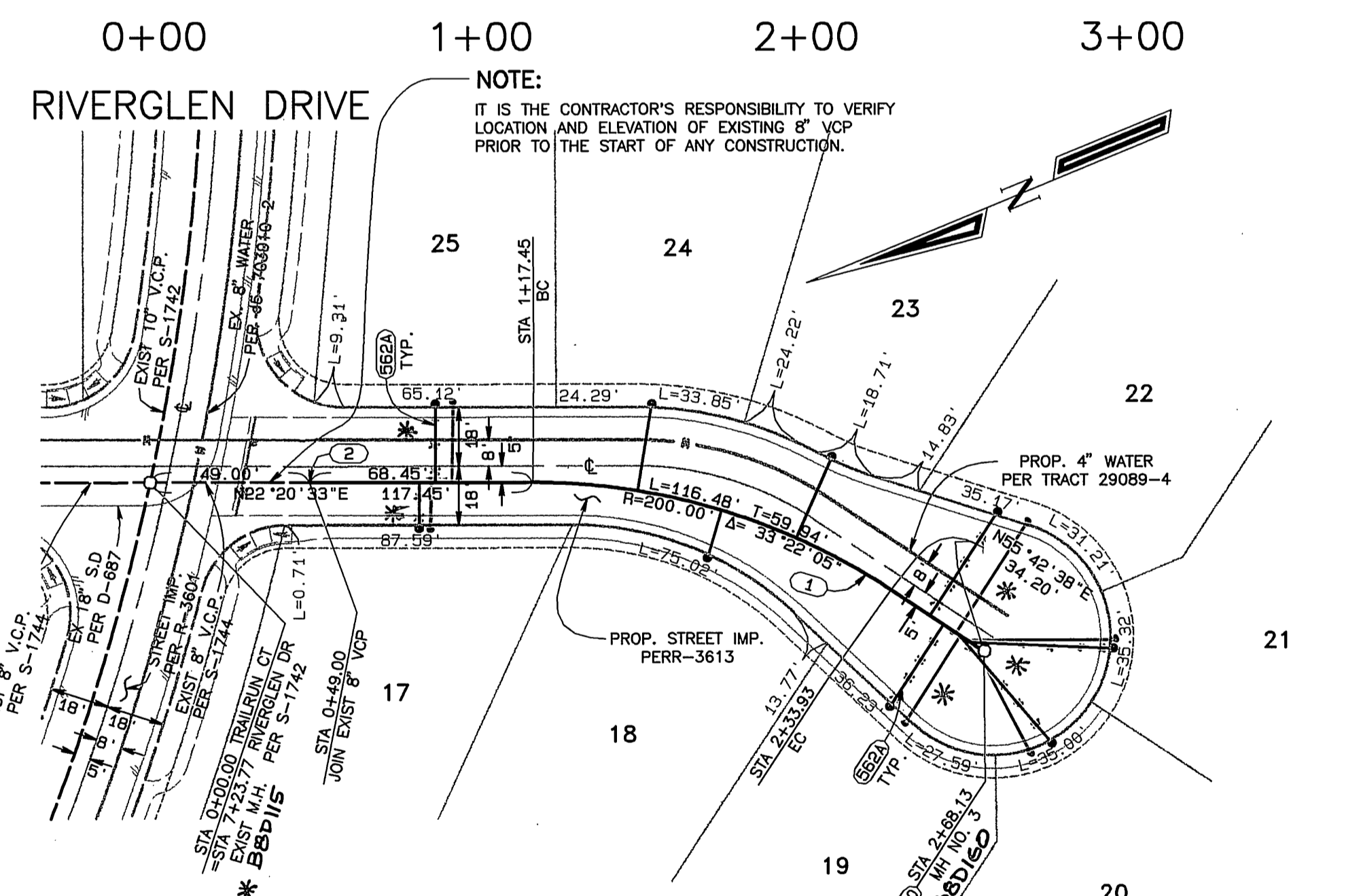
NOTE:
IT IS THE CONTRACTOR'S RESPONSIBILITY TO VERIFY LOCATION AND ELEVATION OF EXISTING 8" VCP PRIOR TO THE START OF ANY CONSTRUCTION.

SCALE
HORIZ. : 1" = 40'
VERT. : 1" = 4'

0+00 1+00 2+00 3+00 4+00 5+00 6+00 7+00



NOTE:
IT IS THE CONTRACTOR'S RESPONSIBILITY TO VERIFY LOCATION AND ELEVATION OF EXISTING 8" VCP PRIOR TO THE START OF ANY CONSTRUCTION.



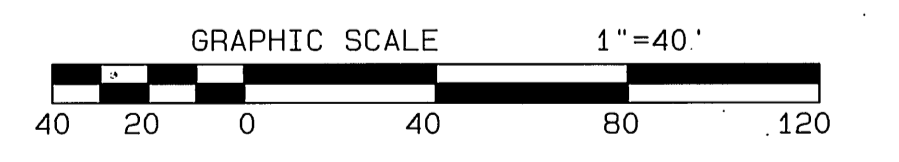
NOTE:
IT IS THE CONTRACTOR'S RESPONSIBILITY TO VERIFY LOCATION AND ELEVATION OF EXISTING 8" VCP PRIOR TO THE START OF ANY CONSTRUCTION.

TRAILRUN COURT

TRAILRUN COURT

CONSTRUCTION NOTES

- (1) CONSTRUCT 8" VCP SEWER
- (2) REMOVE TEMPORARY END CAP
- (3) SEWER LATERAL TO BE CONSTRUCTED PER DETAIL ON SHEET NO. 1
- (452) PIPE BEDDING PER CITY OF RIVERSIDE STD. NO. 452, CASE I
- (500) CONSTRUCT SEWER MANHOLE PER CITY OF RIVERSIDE STANDARD DWG. NO. 500
- (562A) CONSTRUCT 4" SEWER LATERAL WITH CLEANOUT @ PROPERTY LINE PER CITY OF RIVERSIDE STANDARD DWG. NO. 562A (* INDICATES LATERALS TO BE LAID FLAT)



* AS-BUILT 5-19-03 Lft

UNDERGROUND SERVICE ALERT
CALL: TOLL FREE
1-800-227-2600
TWO WORKING DAYS BEFORE YOU DIG

BENCH MARK:
CITY OF RIVERSIDE BENCH MARK NO E2-H3
P.K. NAIL AND TAG IN THE CENTER OF THE MOST NORTHERLY CURB RETURN OF COLLETT AVENUE AND GOLDEN AVENUE
ELEVATION: 697.978

CITY OF RIVERSIDE
WATER DEPARTMENT
APPROVED BY: *R. David J. Durbin* DATE 4/19/01



CITY BUSINESS TAX CERTIFICATE NO. 005751 EXP. 12-31-01
ALBERT A. WEBB ASSOCIATES
CIVIL ENGINEERS
3788 McCRAE STREET RIVERSIDE, CA 92506
(909) 686-1070
APPROVED BY: *Albert A. Webb* DATE 3/19/01
R.C.E. NO. C39530

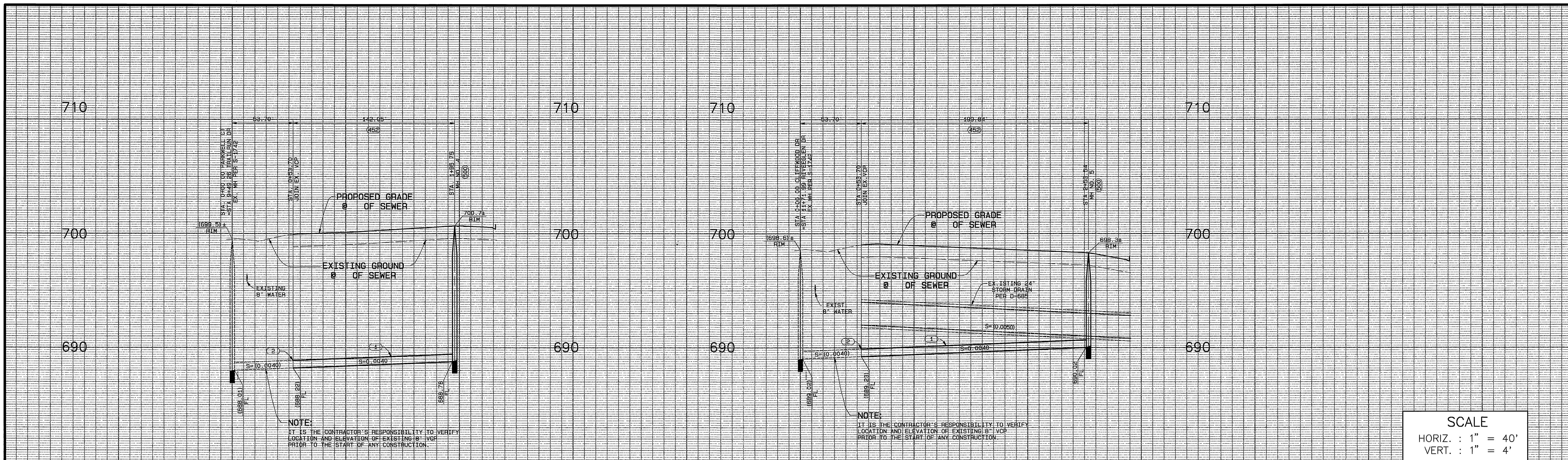
MARK	REVISIONS	APPR. DATE

CITY OF RIVERSIDE, CALIFORNIA
PUBLIC WORKS DEPARTMENT
APPROVED BY: *R. McArthur*
PRINCIPAL ENGINEER
TRAFFIC DIVISION
DATE 5-15-2001

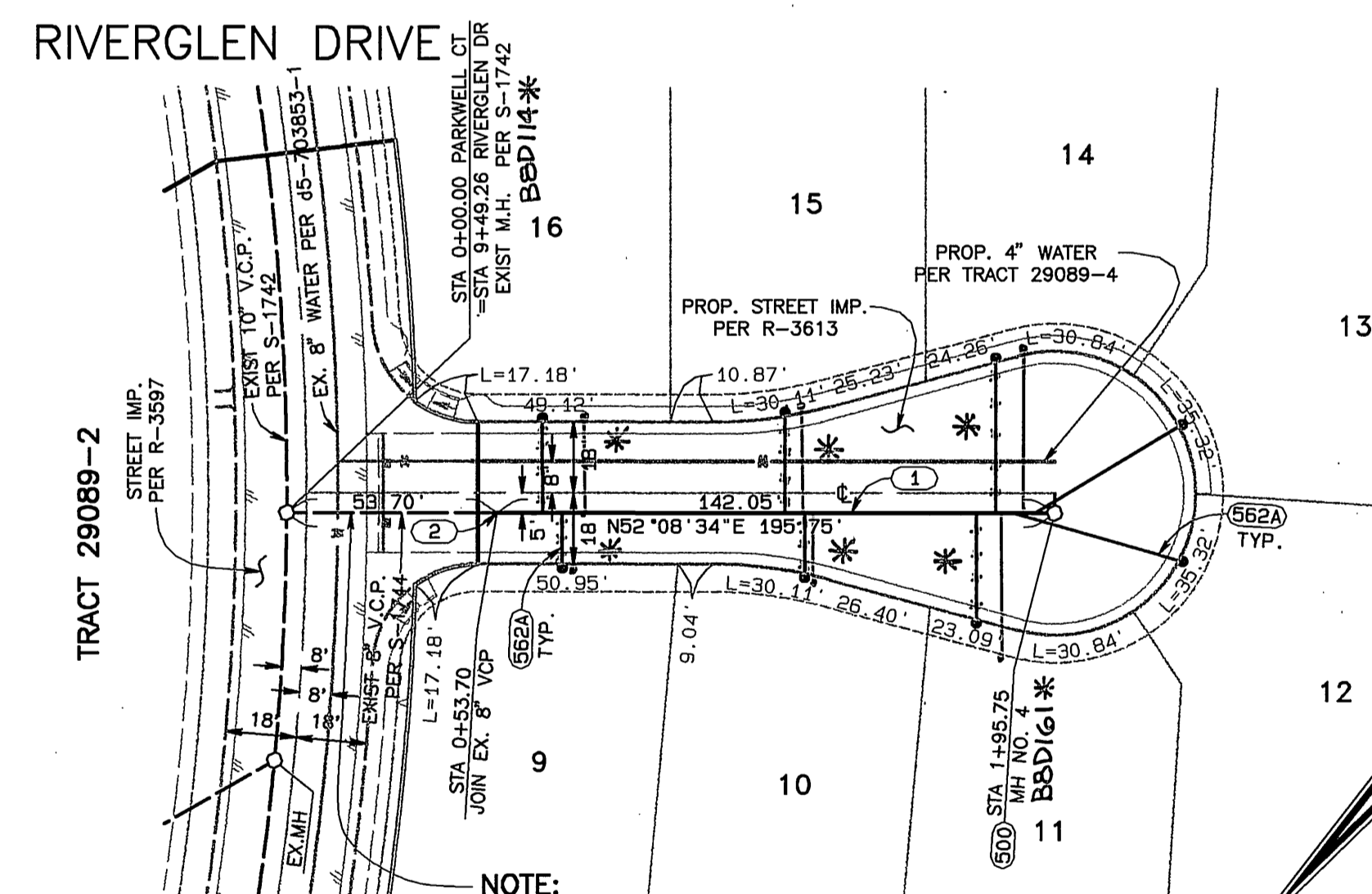
SEWER IMPROVEMENT PLAN
TRACT NO. 29089-4
PRIVATE STREET (TRAILRUN COURT)
SCALE: HORIZ.: 1" = 40' VERT.: 1" = 4'

ACCOUNT NO.
DRAWING NUMBER
S-1751
SHEET **2** OF **3**
99-0204

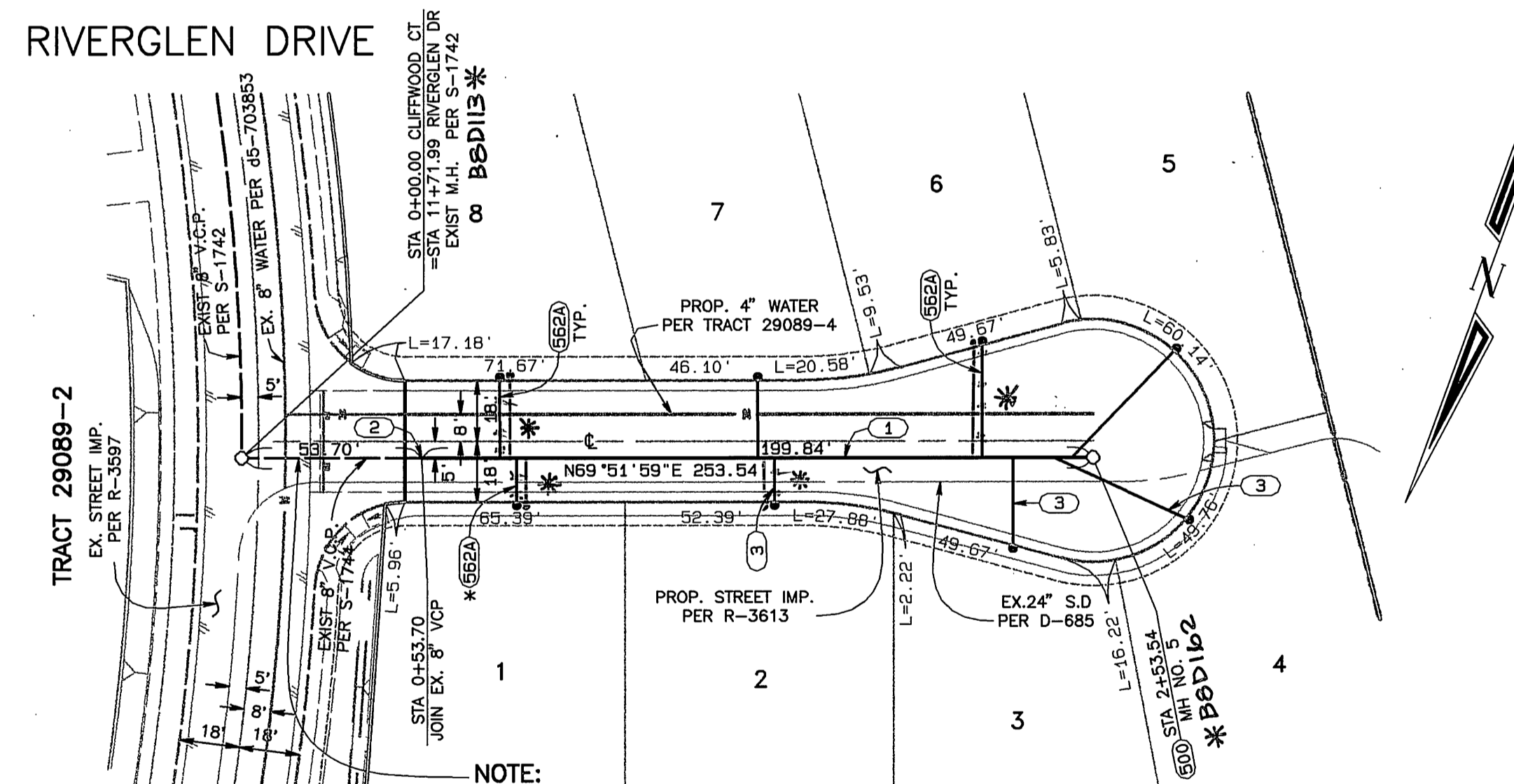
INDEXED 6-20-01 Lft



SCALE
 HORIZ. : 1" = 40'
 VERT. : 1" = 4'



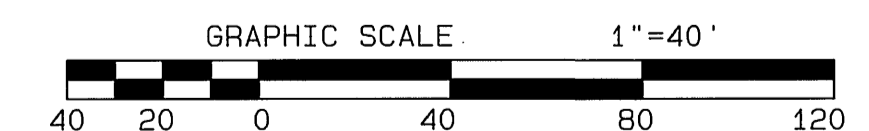
PARKWELL COURT



CLIFFWOOD COURT

CONSTRUCTION NOTES

- (1) CONSTRUCT 8" VCP SEWER
- (2) REMOVE TEMPORARY END CAP
- (3) SEWER LATERAL TO BE CONSTRUCTED PER DETAIL ON SHEET NO. 1
- (452) PIPE BEDDING PER CITY OF RIVERSIDE STD. NO. 452, CASE 1
- (500) CONSTRUCT SEWER MANHOLE PER CITY OF RIVERSIDE STANDARD DWG. NO. 500
- (562A) CONSTRUCT 4" SEWER LATERAL WITH CLEANOUT @ PROPERTY LINE PER CITY OF RIVERSIDE STANDARD DWG. NO. 562A (* INDICATES LATERALS TO BE LAID FLAT)



*AS-BUILT 5-19-03 LPH

UNDERGROUND SERVICE ALERT
 CALL: TOLL FREE
 1-800-227-2600
 TWO WORKING DAYS BEFORE YOU DIG

BENCH MARK:
 CITY OF RIVERSIDE BENCH MARK NO E2-H3
 P.K. NAIL AND TAG IN THE CENTER OF THE
 MOST NORTHERLY CURB RETURN OF COLLETT
 AVENUE AND GOLDEN AVENUE
 ELEVATION: 697.978

CITY OF RIVERSIDE
 WATER DEPARTMENT
 APPROVED BY *Richard J. Dandekar* DATE 4/09/01



CITY BUSINESS TAX CERTIFICATE NO. 005751 EXP. 12-31-01
ALBERT A. WEBB ASSOCIATES
 CIVIL ENGINEERS
 3788 McCRAY STREET RIVERSIDE, CA 92506
 (909) 686-1070
 APPROVED BY *M. A. Webb* DATE 3/19/01
 R.C.E. NO. C39530

MARK	REVISIONS	APPR.	DATE

CITY OF RIVERSIDE, CALIFORNIA
 PUBLIC WORKS DEPARTMENT
 APPROVED BY *R. McKeel* DATE 5-15-2001
 PRINCIPAL ENGINEER
 PARK DEPARTMENT
 TRAFFIC DIVISION
 DEP. P.W. DIRECTOR

SEWER IMPROVEMENT PLAN
TRACT NO. 29089-4
 PRIVATE STREET (PARKWELL COURT)
 PRIVATE STREET (CLIFFWOOD COURT)
 SCALE: HORIZ.: 1" = 40' VERT.: 1" = 4'

ACCOUNT NO.
 DRAWING NUMBER
S-1751
 SHEET **3** OF **3**
 99-0204

INDEXED 6-20-01 LPH

FILE: G:\1999\09-23\21\56204_SWP.DWG PLOT DATE: 9/2/2001